



US00D358480S

# United States Patent [19]

[11] Patent Number: **Des. 358,480**

Abrams et al.

[45] Date of Patent: **\*\* May 23, 1995**

[54] CONTACT LENS PACKAGE

[56] References Cited

### U.S. PATENT DOCUMENTS

[76] Inventors: **Richard W. Abrams**, 3889 Habersham Forest Dr., Jacksonville, Fla. 32223;  
**Russell J. Crossman**, 4496 Charter Point Blvd., Jacksonville, Fla. 32211;  
**Charles R. Ashley**, P.O. Box 5325, Clinton, N.J. 08809

D. 262,095 12/1981 Takahashi ..... D9/341  
D. 330,855 11/1992 Demopoulos et al. .... D9/415  
4,091,917 5/1978 Clawson ..... 206/5.1  
4,928,815 5/1990 Paul ..... 206/5.1

*Primary Examiner*—C. A. Murphy

[\*\*] Term: **14 Years**

[57] CLAIM

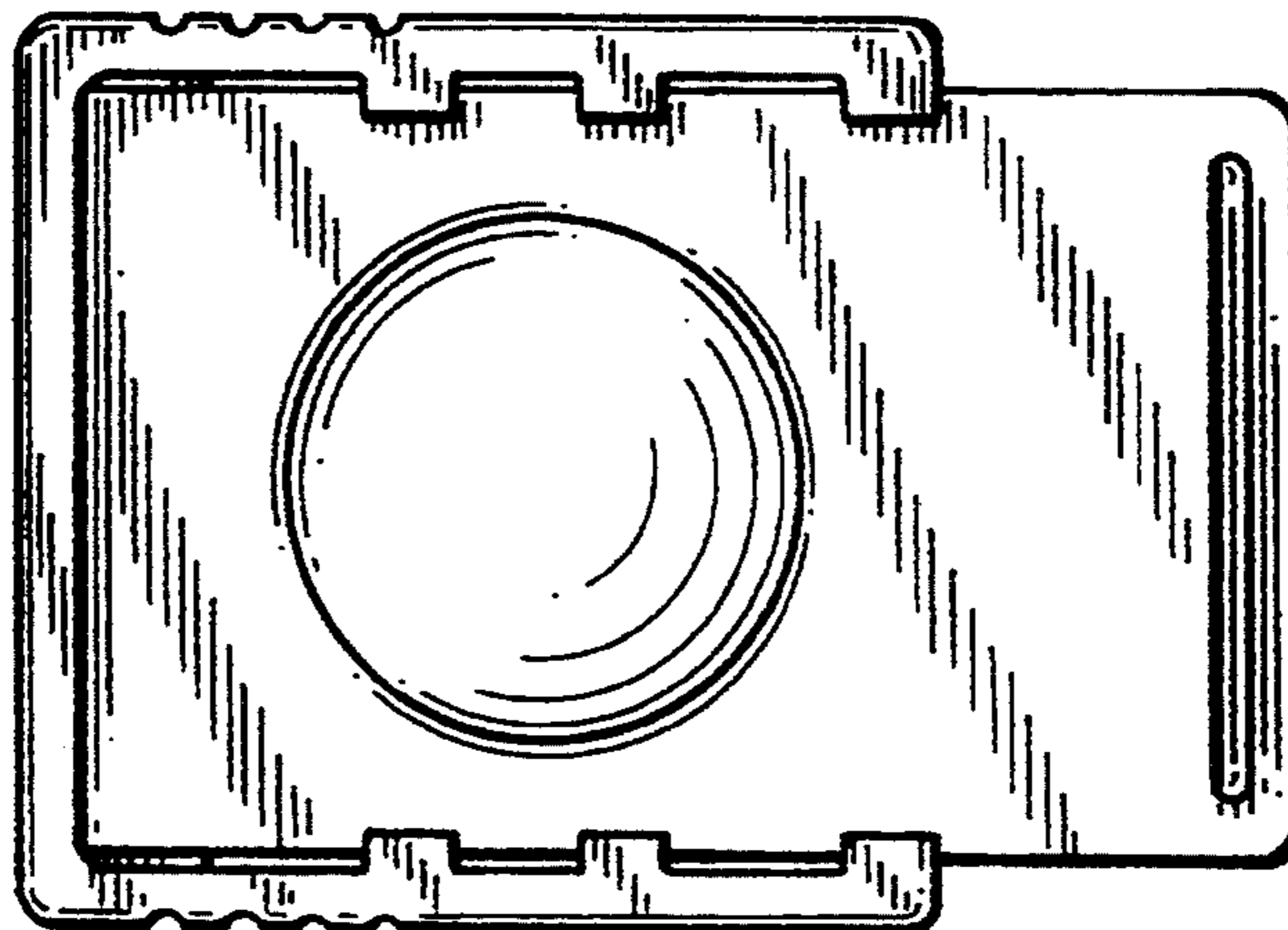
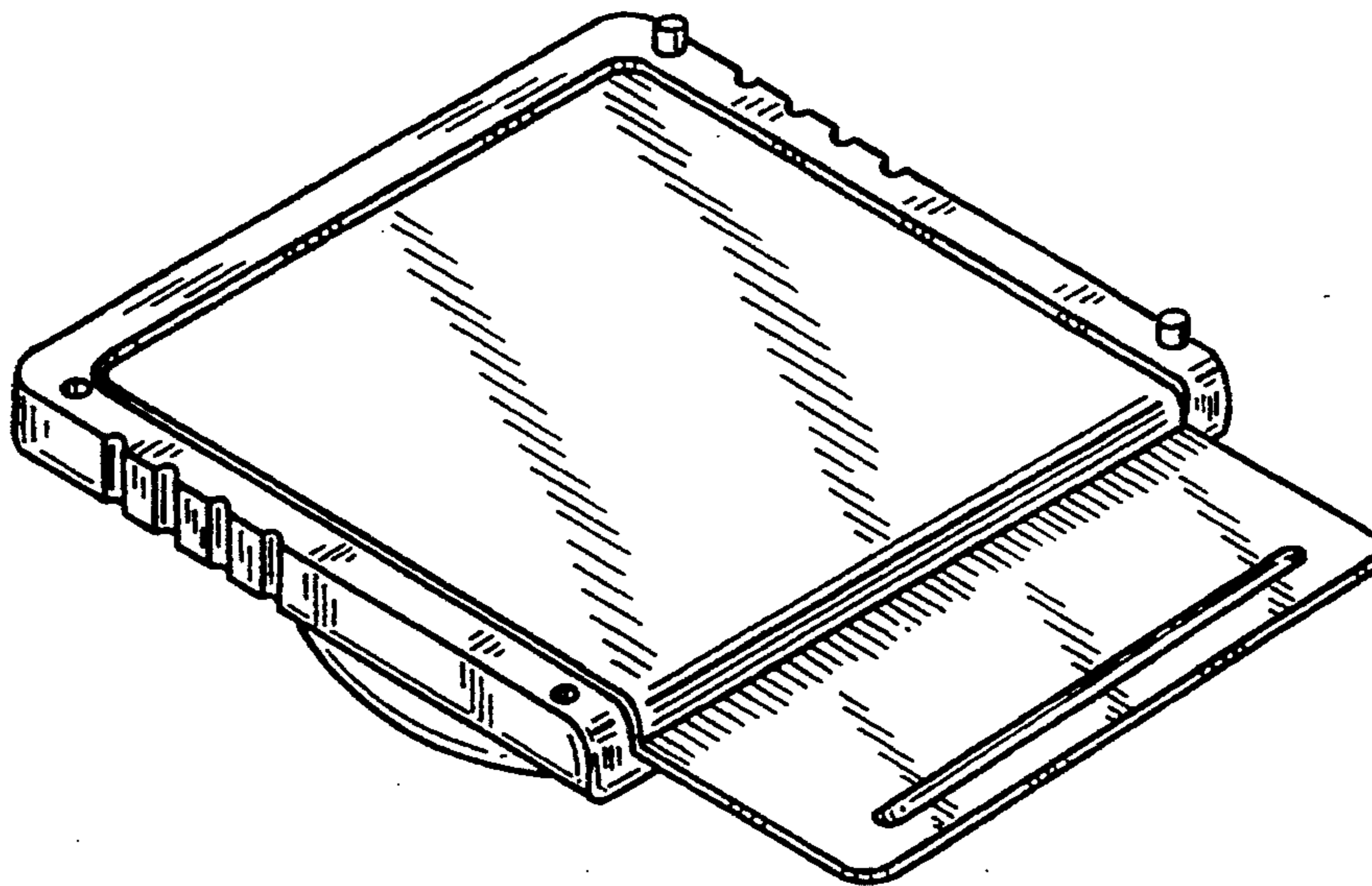
The ornamental design for a contact lens package, as shown and described.

[21] Appl. No.: **21,680**

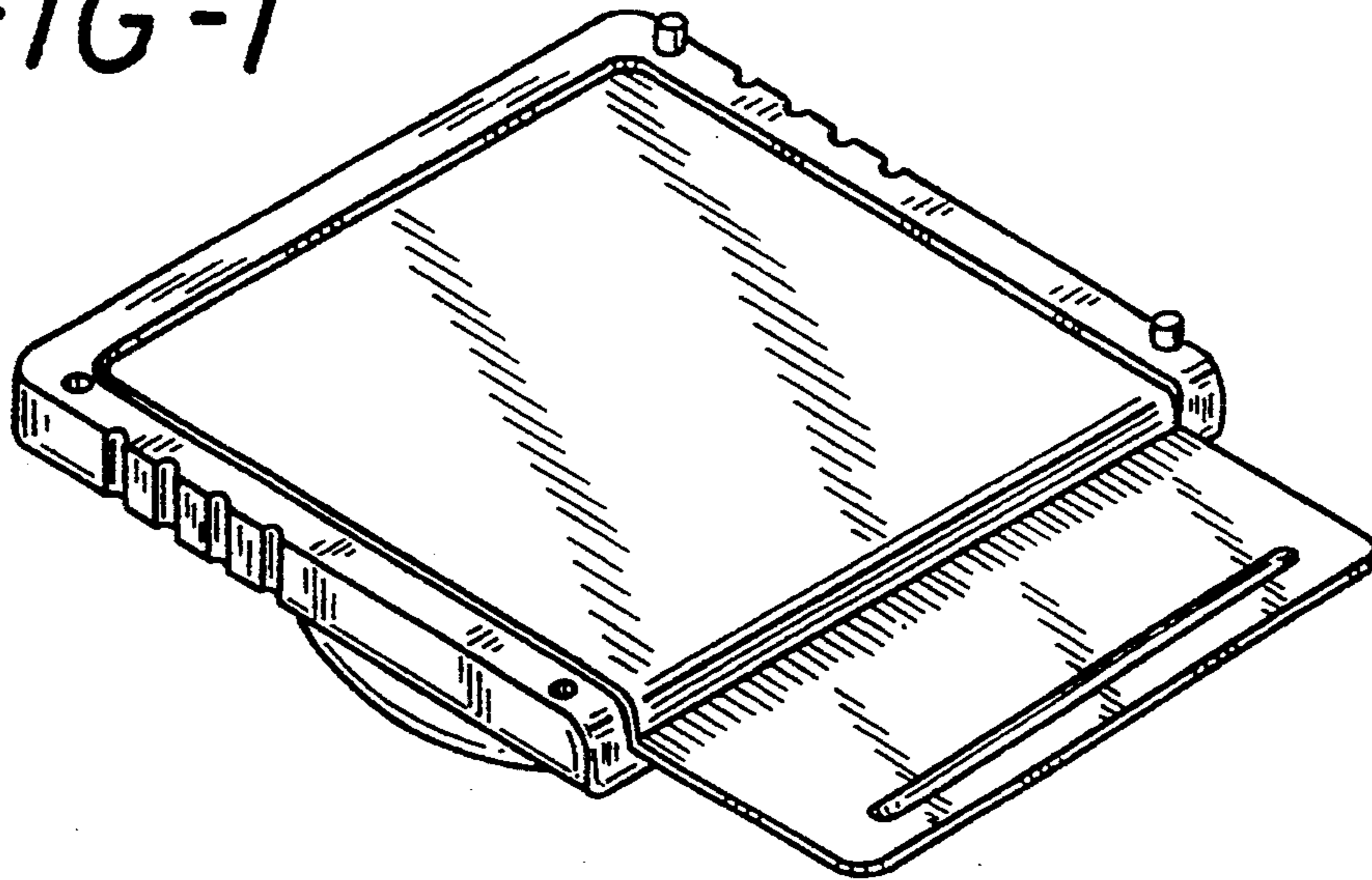
### DESCRIPTION

[22] Filed: **Apr. 21, 1994**  
[52] U.S. Cl. .... **D3/264**  
[58] Field of Search ..... D3/201, 263, 264;  
D7/341, 415; D16/134, 136; 206/5.1, 205,  
316.1, 822

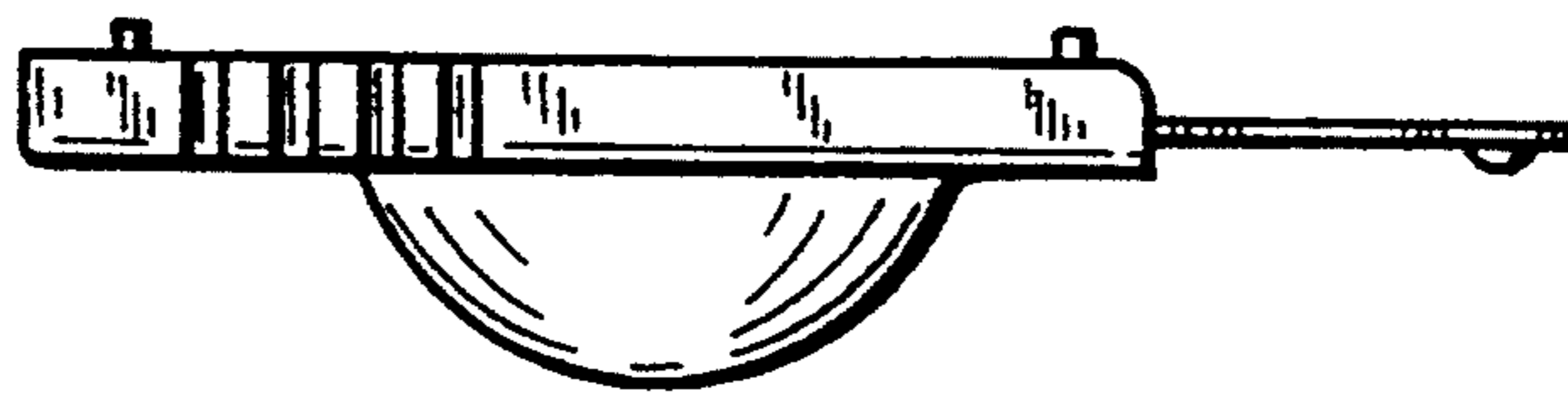
FIG. 1 is a perspective view of a contact lens package showing our new design;  
FIG. 2 is a left side elevation view thereof; the right side elevational view being a mirror image thereof;  
FIG. 3 is a top plan view thereof;  
FIG. 4 is a bottom plan view thereof;  
FIG. 5 is a front elevational view thereof; and,  
FIG. 6 is a rear elevational view thereof.



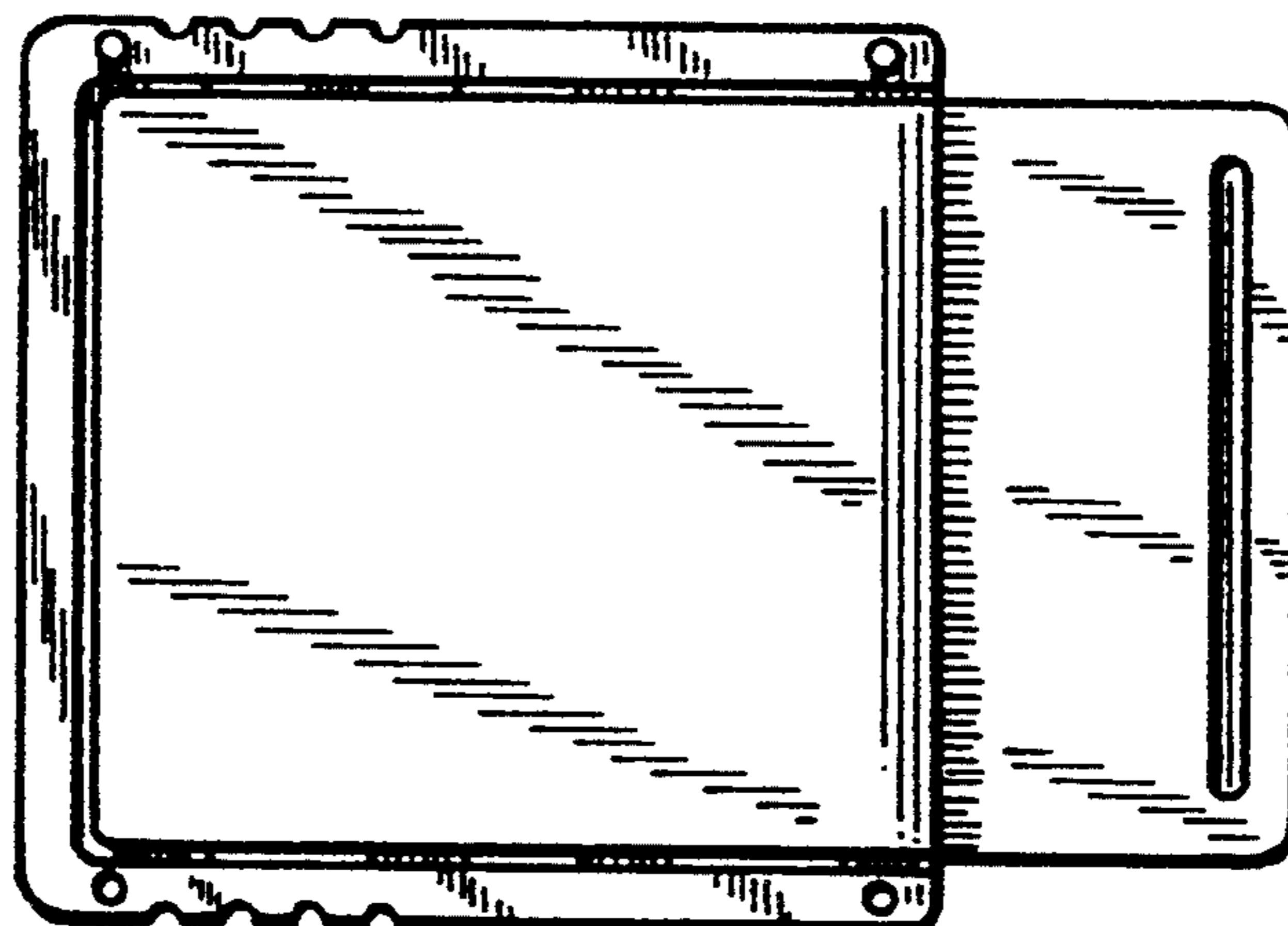
*FIG-1*



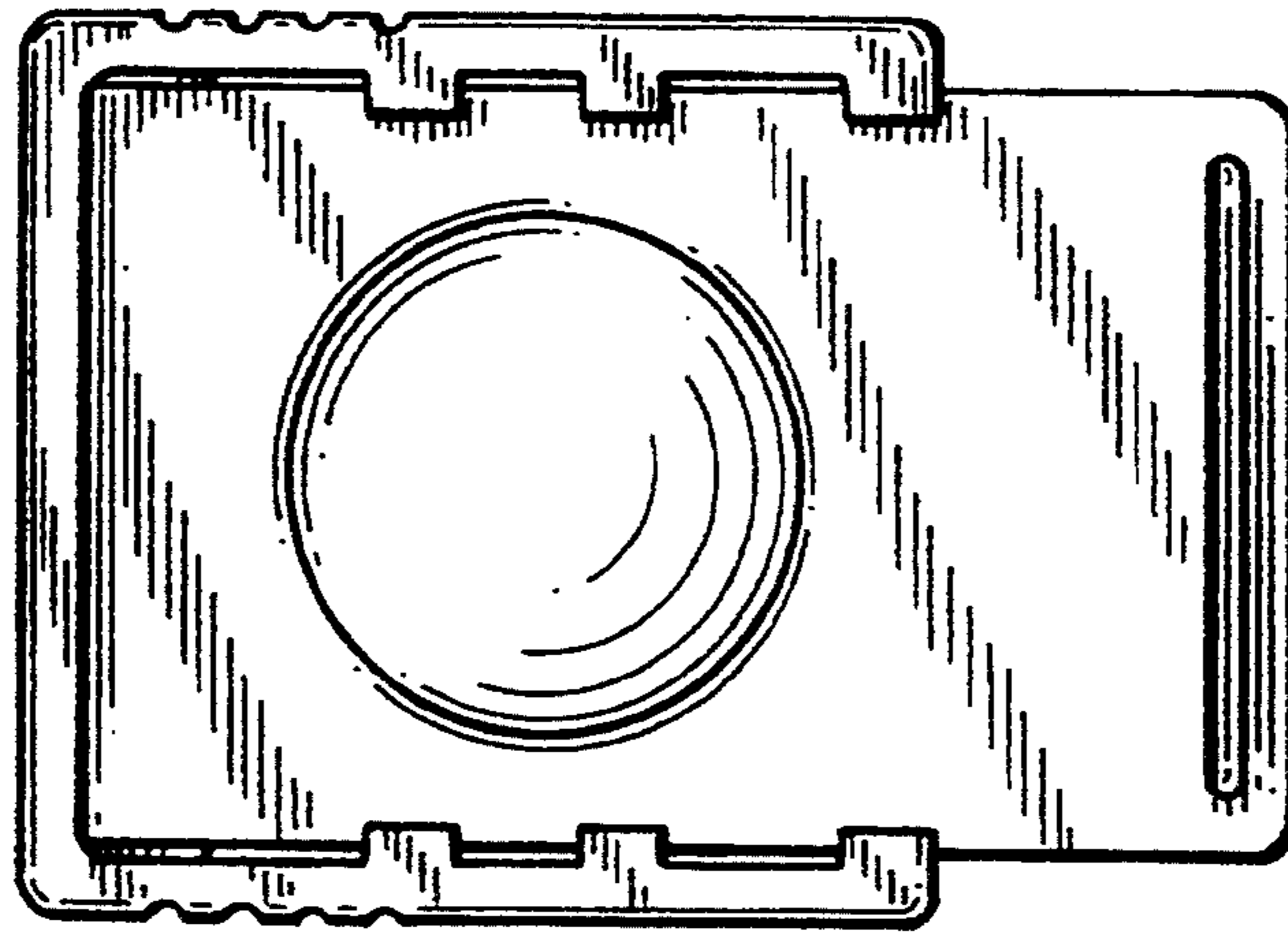
*FIG-2*



*FIG-3*



*FIG-4*



*FIG-5*



*FIG-6*

