



US00D358478S

United States Patent [19]
Bluestein

[11] **Patent Number: Des. 358,478**
[45] **Date of Patent: ** May 23, 1995**

[54] **WALLET**
[75] **Inventor: Ivan Bluestein, Mill Neck, N.Y.**
[73] **Assignee: Craft Billfold Corp., New York, N.Y.**
[**] **Term: 14 Years**
[21] **Appl. No.: 15,356**
[22] **Filed: Nov. 16, 1993**
[52] **U.S. Cl. D3/251; D3/252**
[58] **Field of Search D3/247-253;**
150/131-149

4,784,199 11/1988 Wise 150/134
4,903,745 2/1990 Roman 150/137 X
5,103,884 4/1992 Roman 150/134

Primary Examiner—Louis S. Zarfaz
Attorney, Agent, or Firm—Levine & Mandelbaum

[57] **CLAIM**

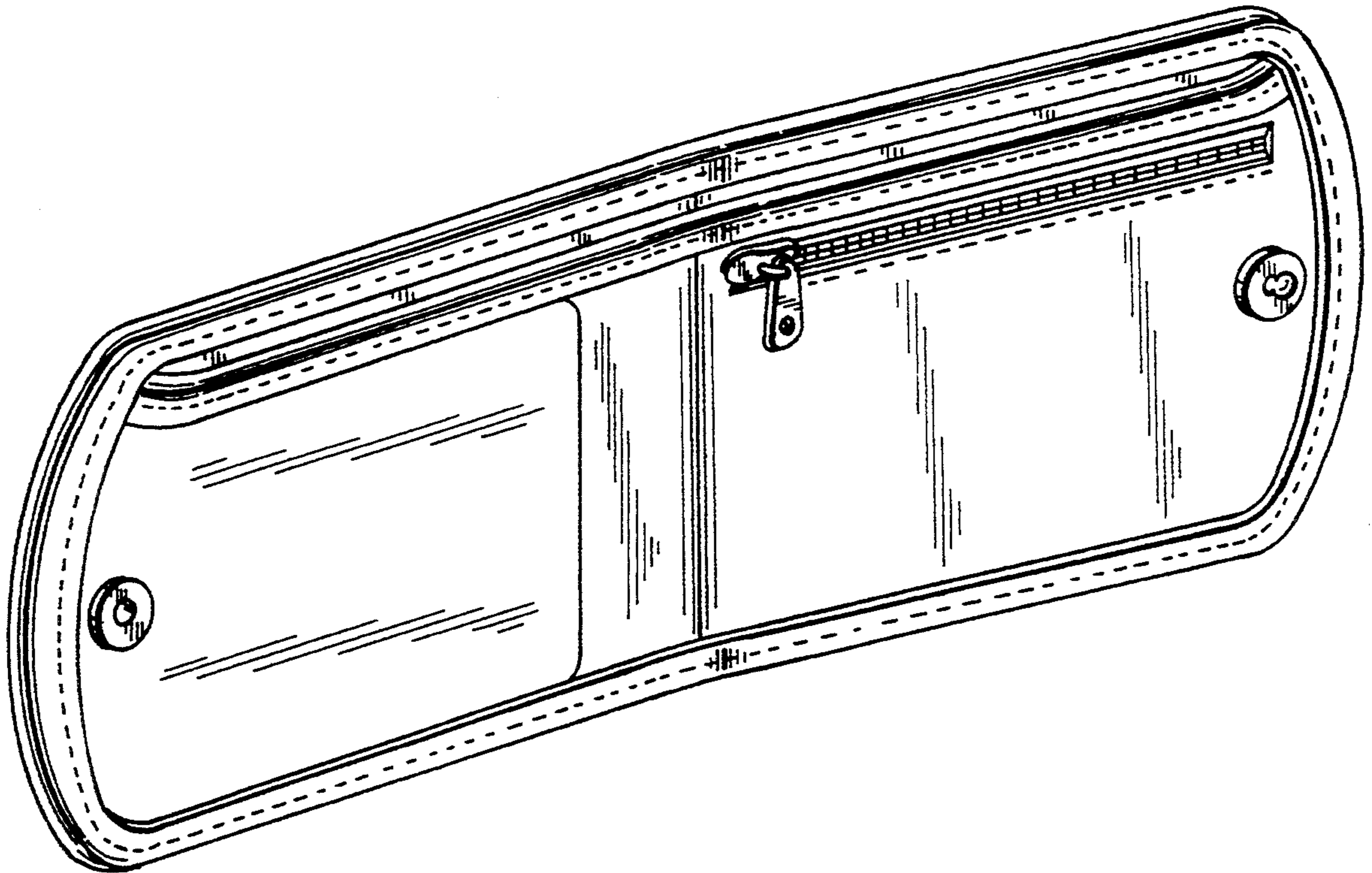
The ornamental design for a wallet, as shown.

DESCRIPTION

FIG. 1 is a top left side perspective view of the wallet of the invention in an open disposition;
FIG. 2 is a bottom right side perspective view of the wallet of the invention in the open disposition of FIG. 1;
FIG. 3 is a top left side perspective view of the wallet of the invention in a closed disposition; and,
FIG. 4 is a bottom right side perspective view of the wallet of the invention in the closed disposition of FIG. 3.

[56] **References Cited**
U.S. PATENT DOCUMENTS

D. 157,341 2/1950 Chase D3/249
286,650 10/1883 Talcott 156/147
D. 343,951 2/1994 Petty et al. D3/249



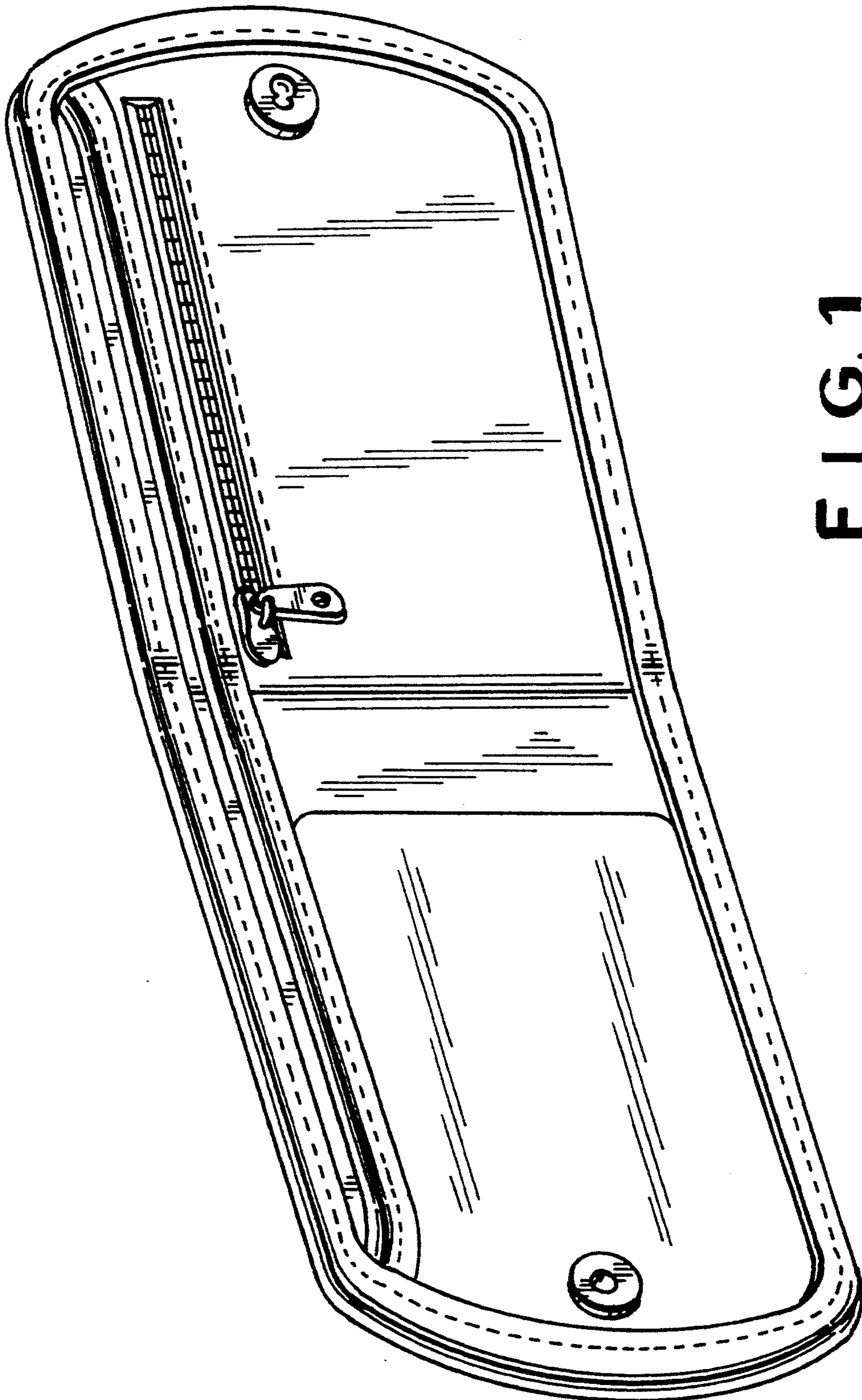


FIG. 1

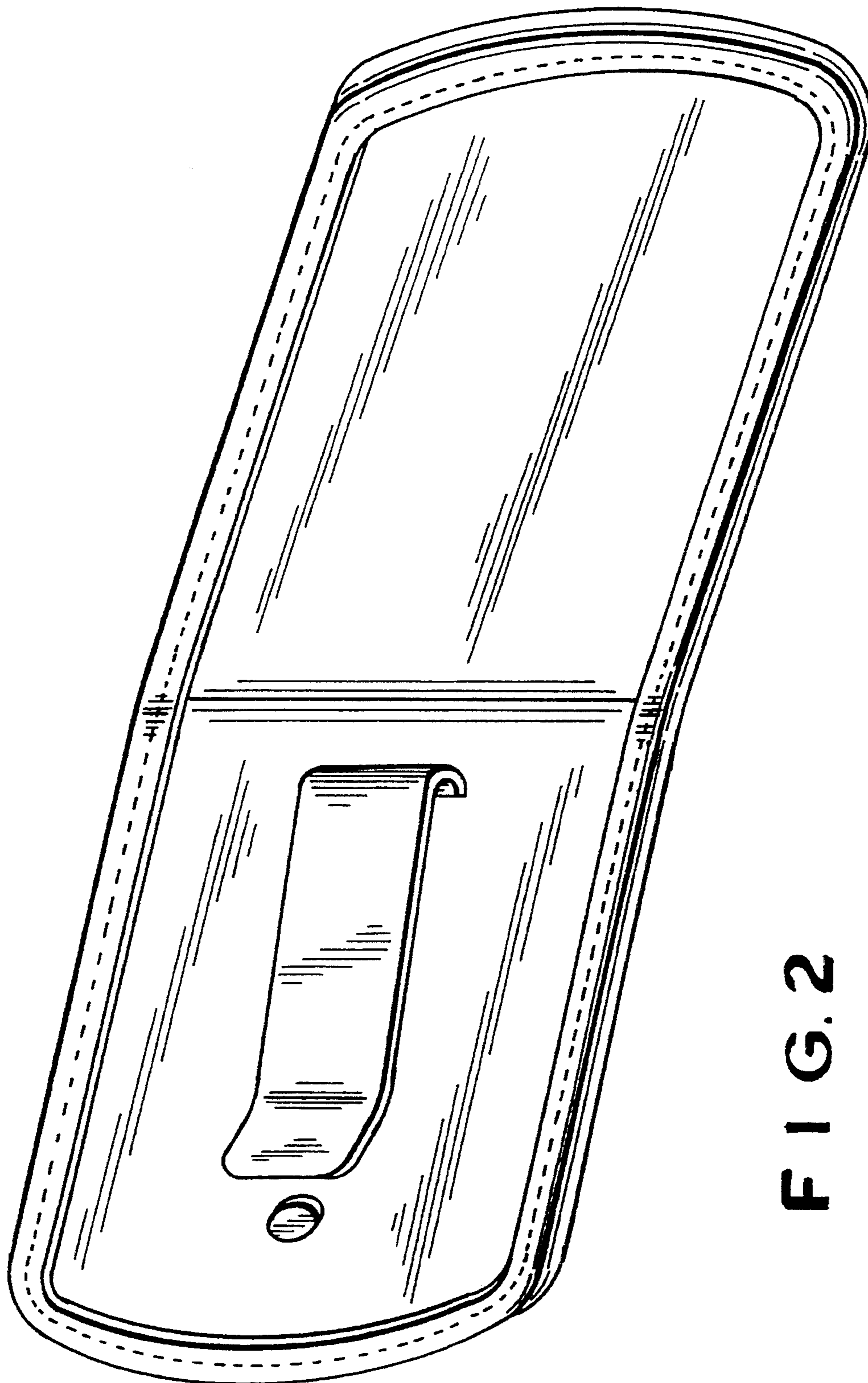


FIG. 2

FIG. 3

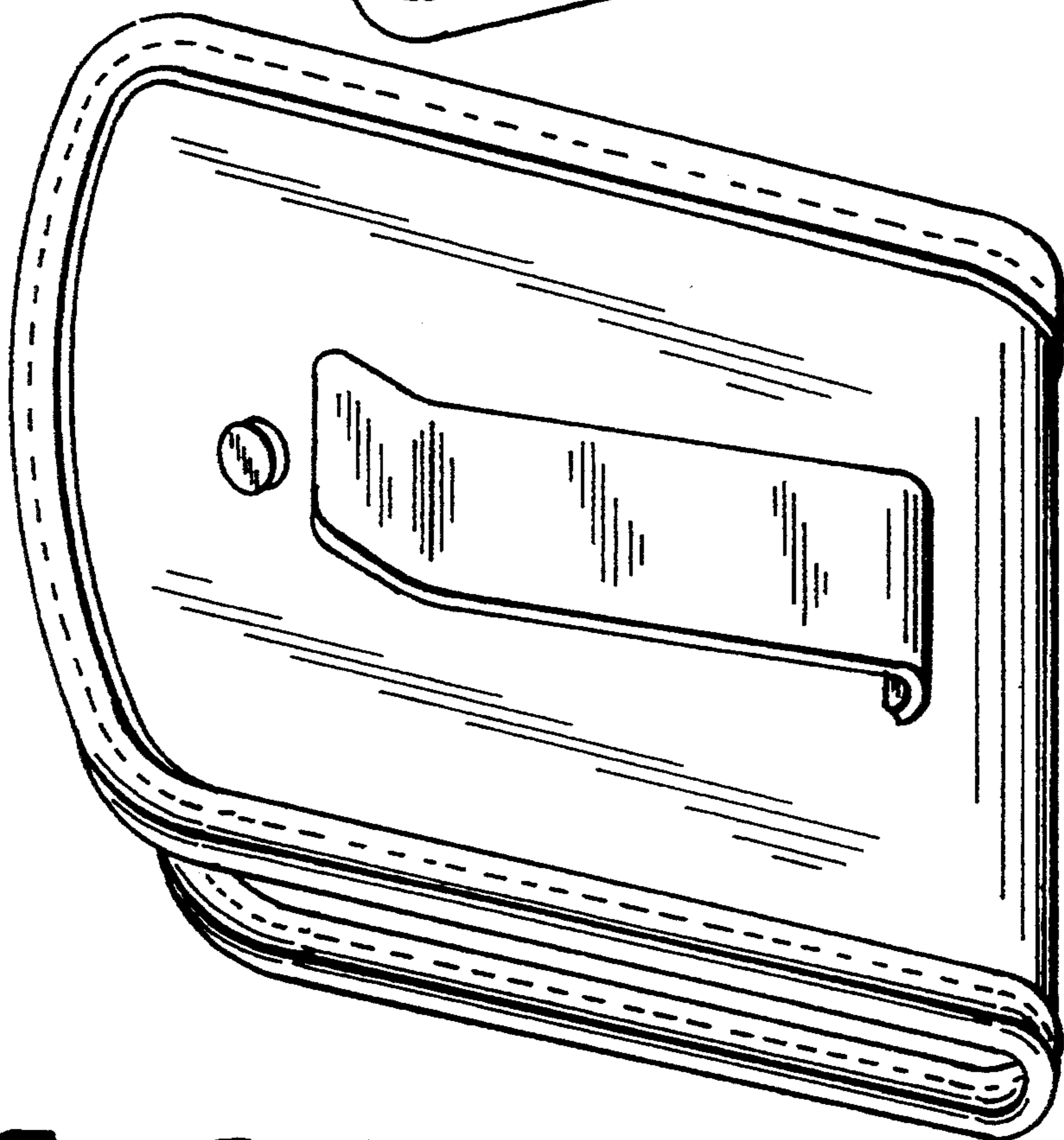
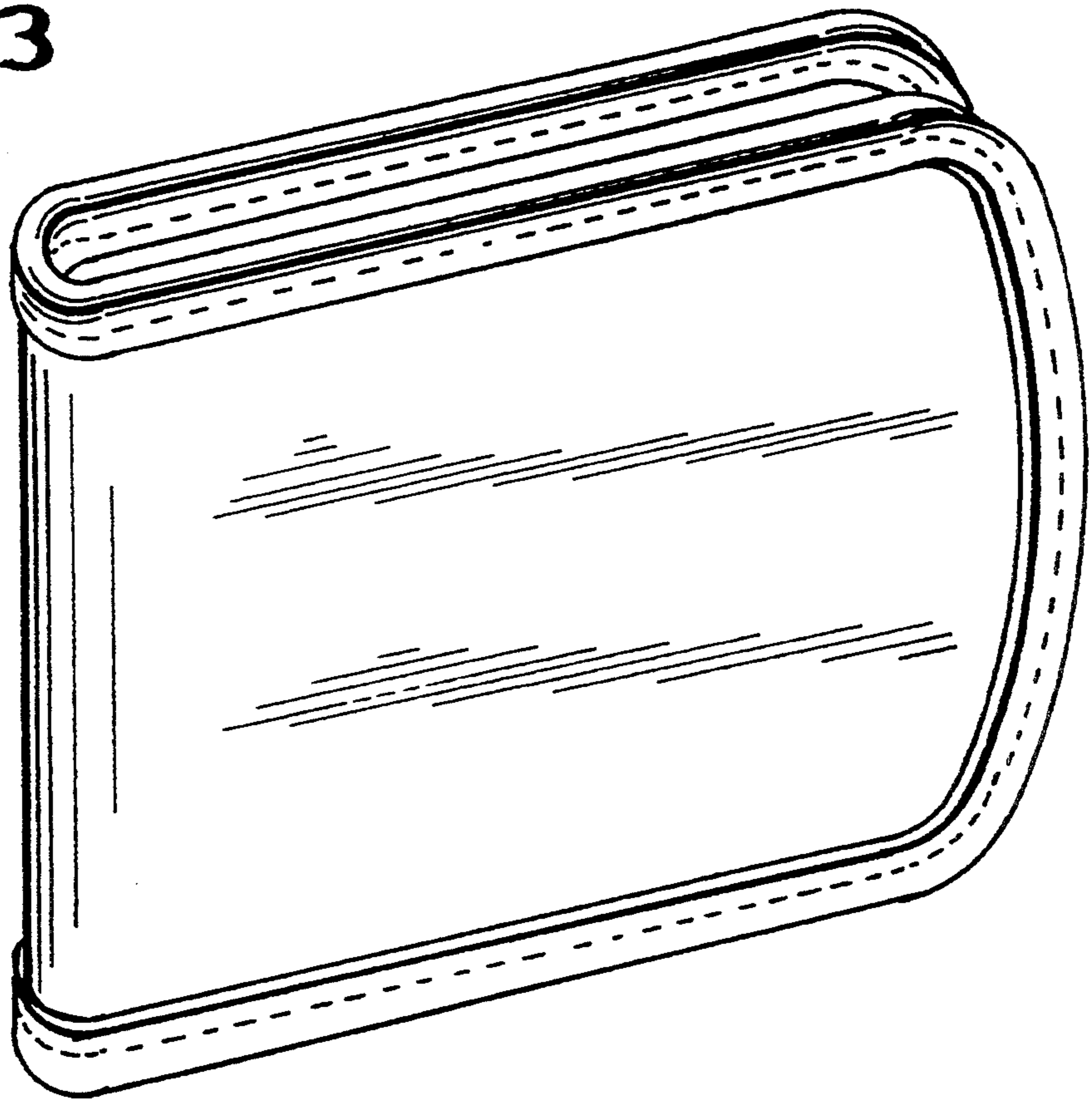


FIG. 4