



US00D358471S

United States Patent [19]

[11] Patent Number: **Des. 358,471**

Cope et al.

[45] Date of Patent: **** May 16, 1995**

[54] **COMBINED CONTROL HANDLE AND VIEWING SCREEN FOR AN ENDOSCOPE**

4,739,128	4/1988	Grisham	379/96 X
4,742,819	5/1988	George	348/73 X
4,903,706	2/1990	Vila-Cora et al.	D24/137 X

[75] Inventors: **Fred C. Cope; Michael C. Stone**, both of Skaneateles; **Raymond A. Lia**, Auburn; **Jon R. Salvati**, Skaneateles; **Craig S. Whitaker**, Marietta; **Gary L. Rink**, Jordan; **Dominick Danna**, Syracuse, all of N.Y.

Primary Examiner—A. Hugo Word
Assistant Examiner—I. Simmons
Attorney, Agent, or Firm—Harris Beach & Wilcox

[73] Assignee: **Welch Allyn, Inc.**, Skaneateles Falls, N.Y.

[57] **CLAIM**

The ornamental design for a combined control handle and viewing screen for an endoscope, as shown and described.

[**] Term: **14 Years**

DESCRIPTION

[21] Appl. No.: **5,824**

FIG. 1 is a perspective view of a combined control handle and viewing screen for an endoscope showing our new design;

[22] Filed: **Mar. 11, 1993**

FIG. 2 is a top plan view;

[52] U.S. Cl. **D24/137; D24/138**

FIG. 3 is a left side elevation thereof, the right side being a mirror image;

[58] Field of Search **D24/138, 137, 140; D10/78; 128/4, 6, 11; 345/961; 348/65, 71, 75, 74, 73**

FIG. 4 is a bottom plan view;

FIG. 5 is a rear elevation view thereof; and,

FIG. 6 is a front elevational view thereof.

The broken line showing of the service cord and insert tube in FIG. 1 is for illustrative purposes only and forms no part of the claimed invention.

[56] **References Cited**

U.S. PATENT DOCUMENTS

D. 339,994 10/1993 Rohmann D10/78

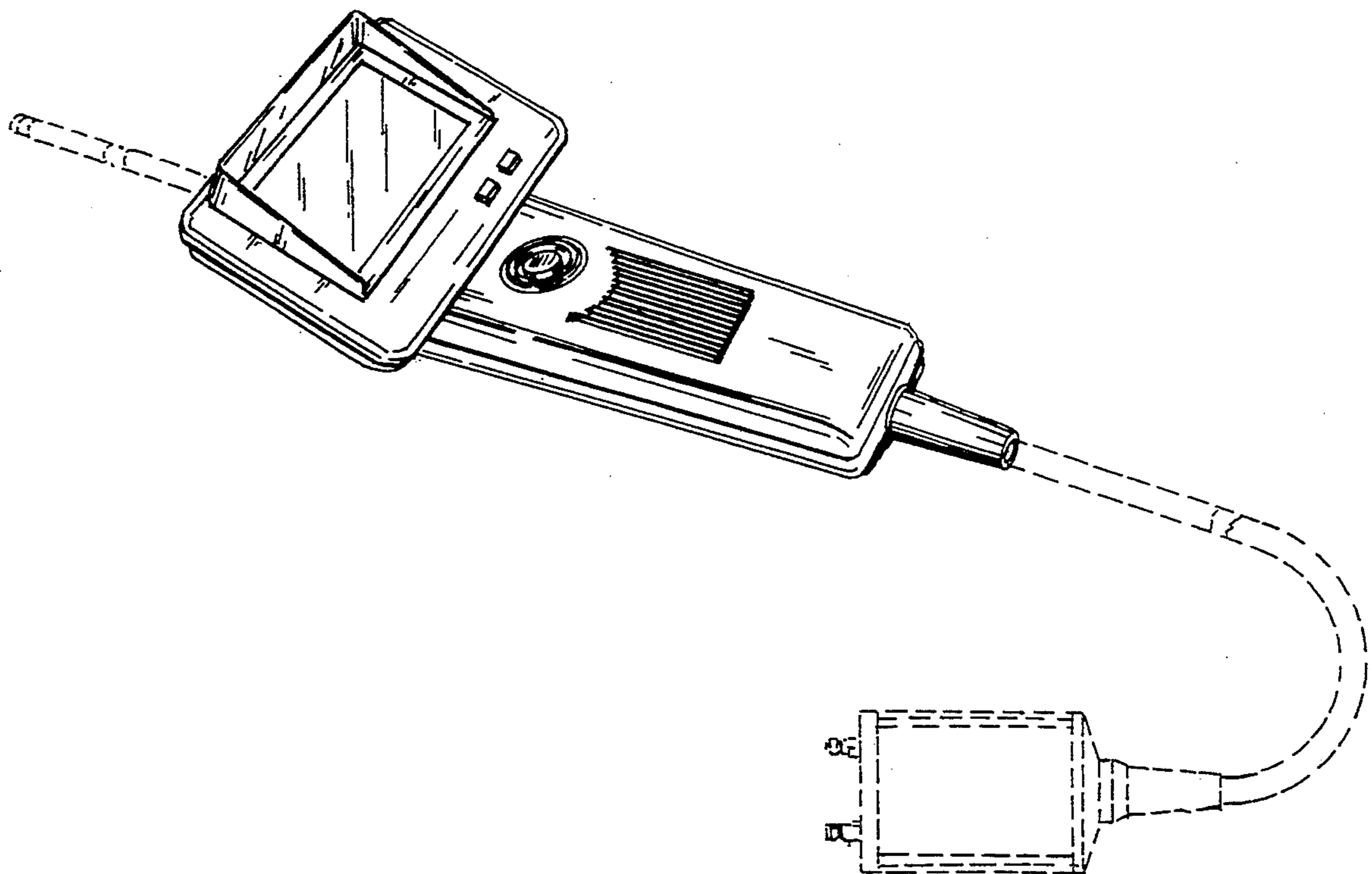
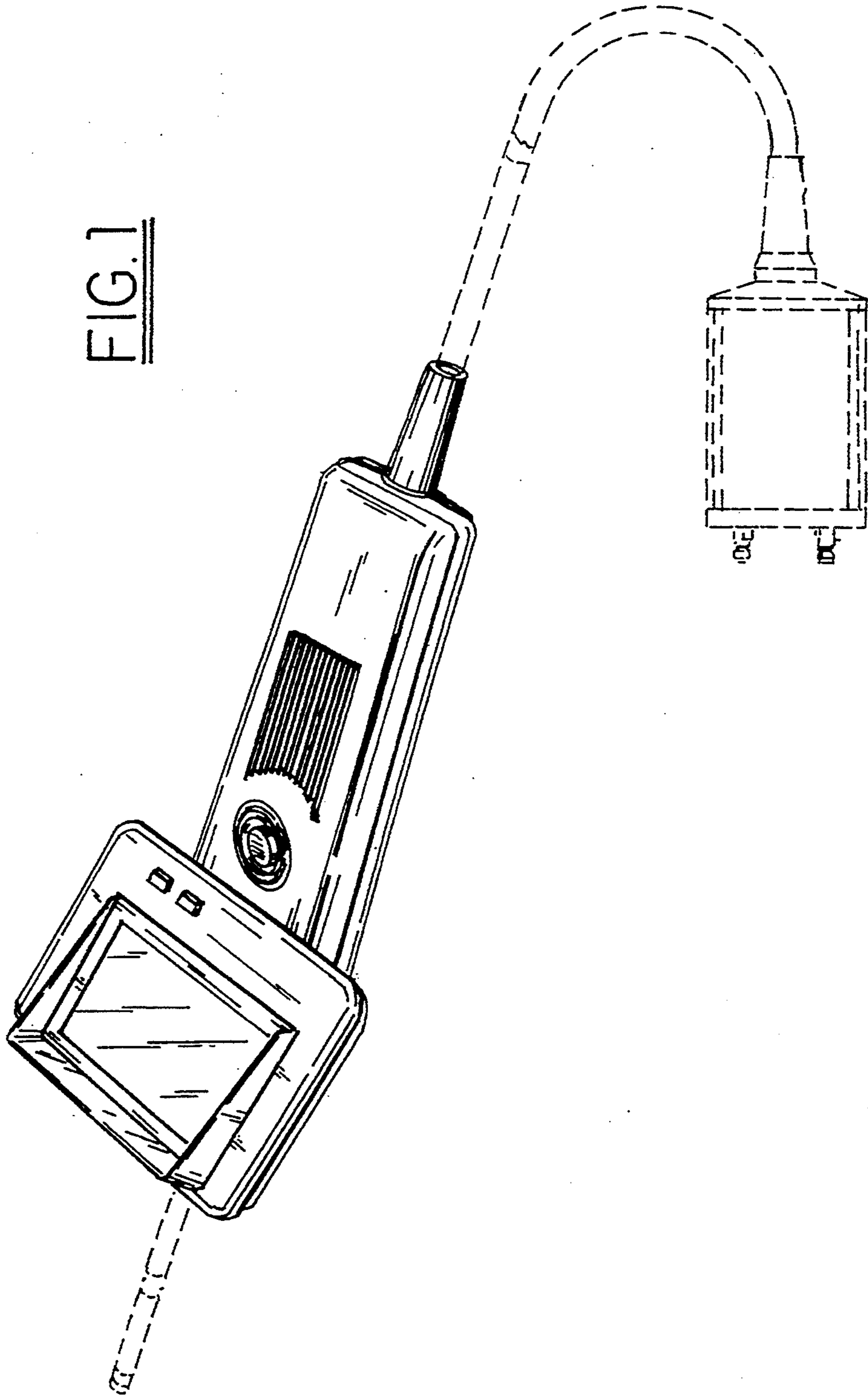


FIG. 1



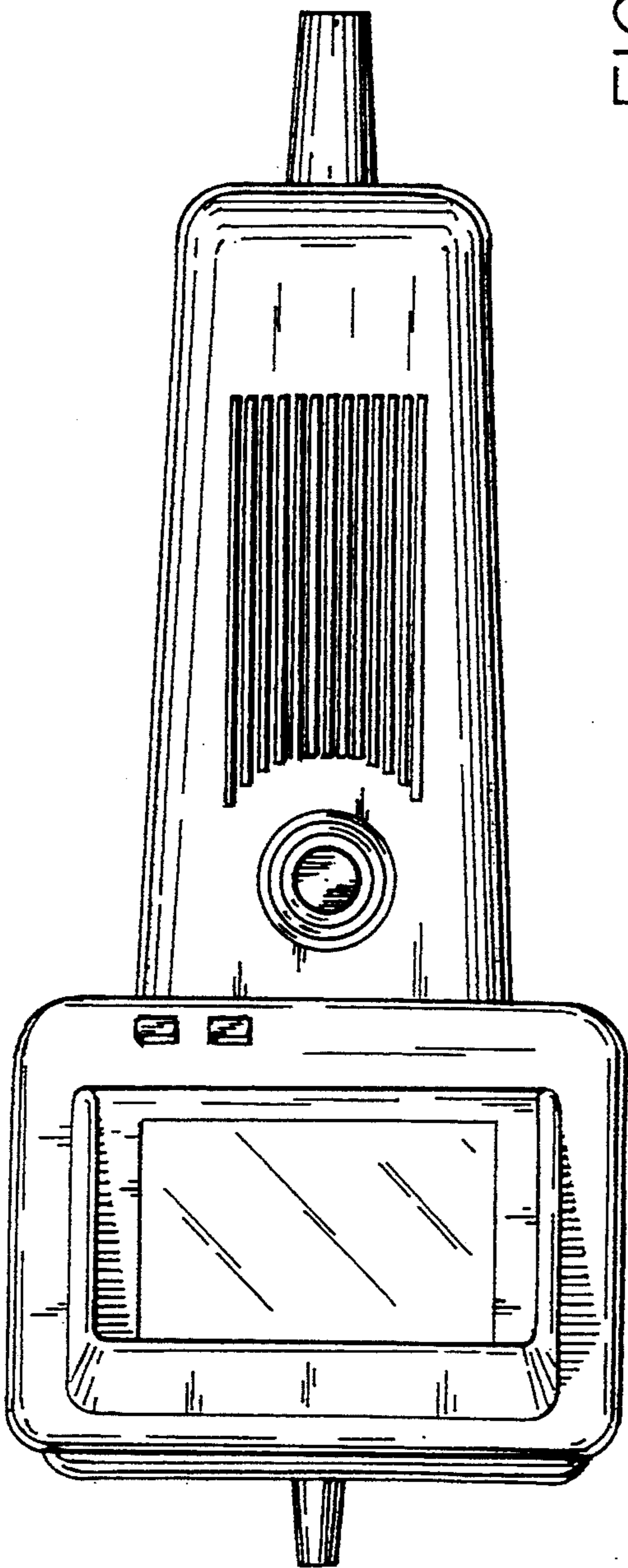


FIG. 2

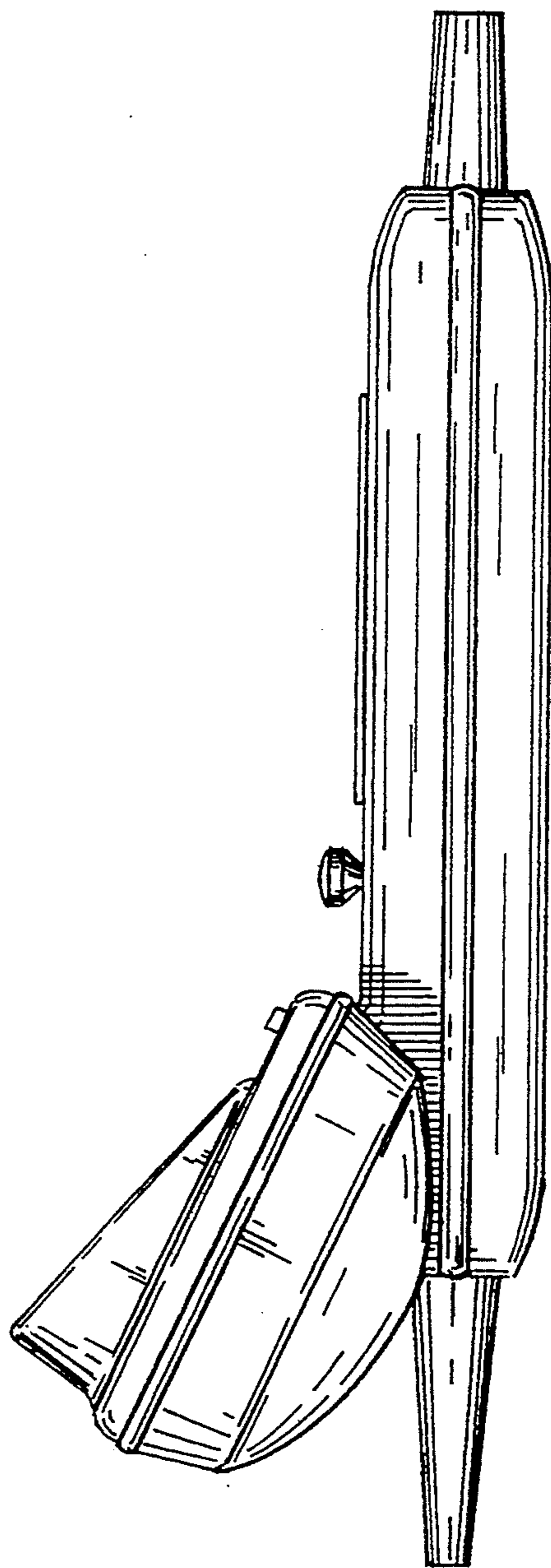


FIG. 3

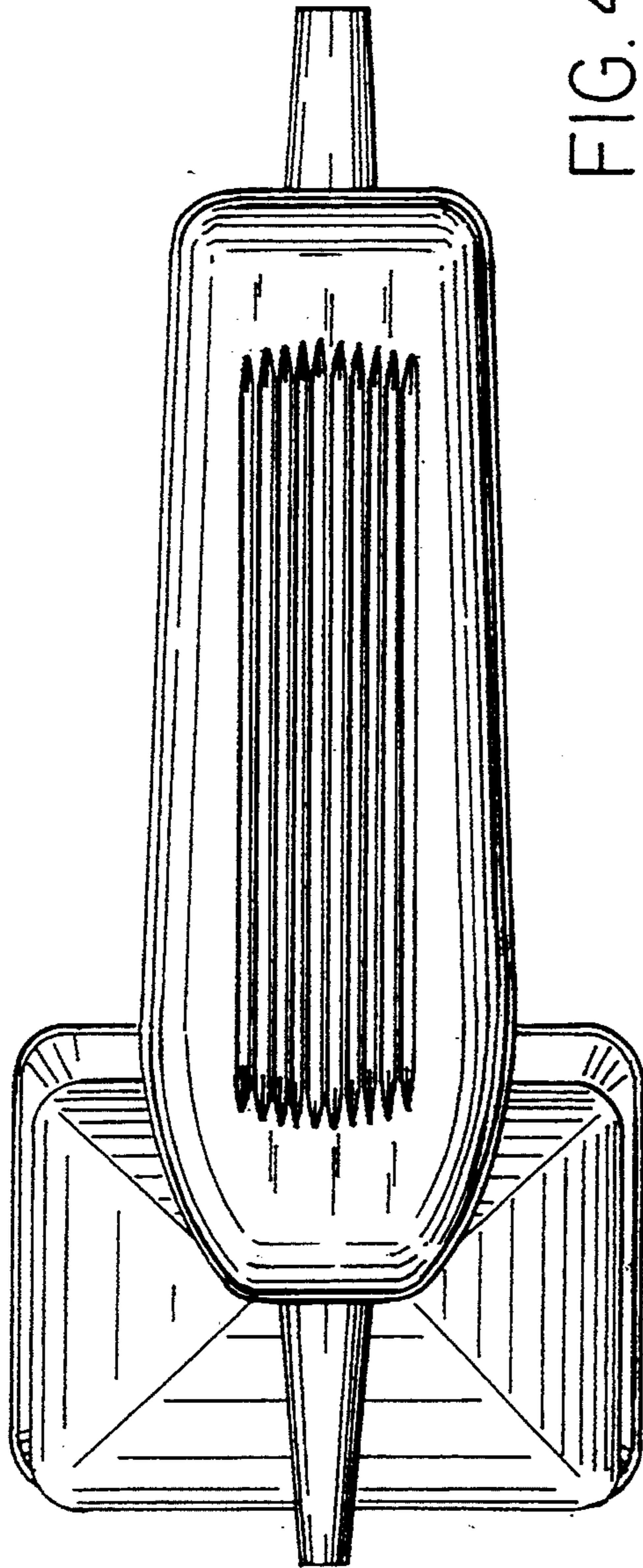


FIG. 4

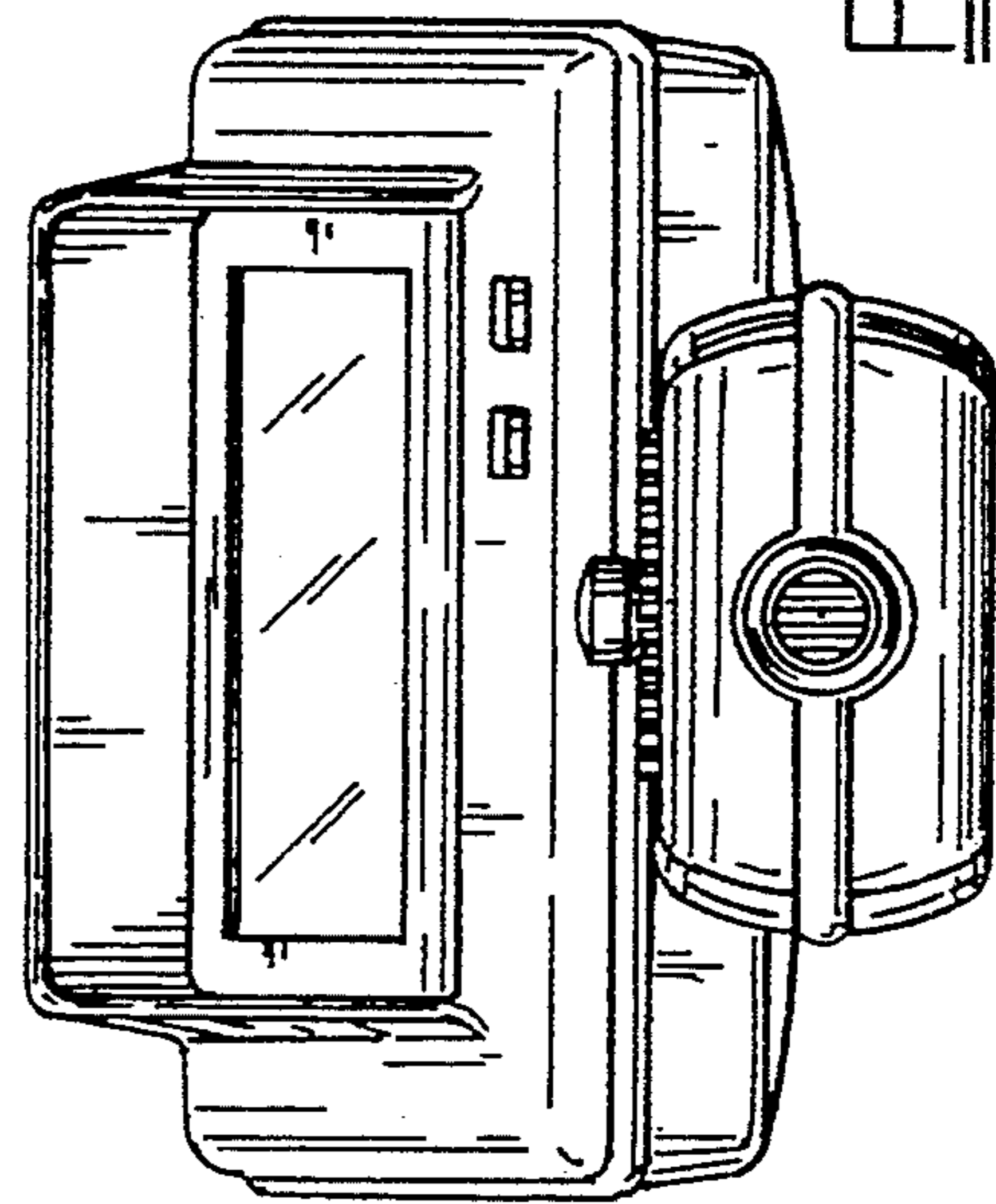


FIG. 6

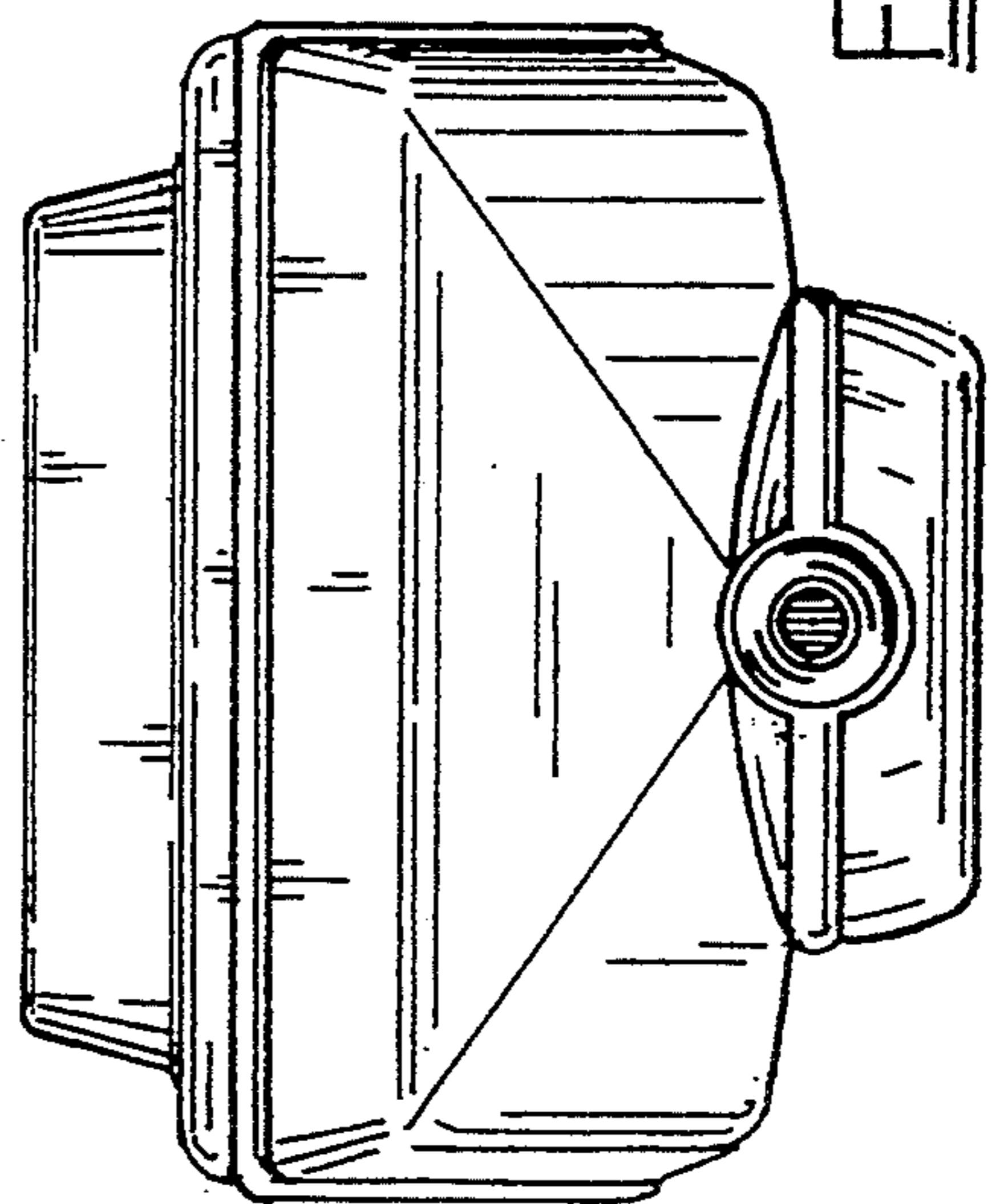


FIG. 5