



US00D358469S

United States Patent [19]

[11] Patent Number: **Des. 358,469**

Mongeon

[45] Date of Patent: **** May 16, 1995**

[54] ADULT-SIZE INTUBATION SWIVEL CONNECTOR

[75] Inventor: **Douglas R. Mongeon**, Orange, Calif.

[73] Assignee: **Coast Medical, Inc.**, Orange, Calif.

[**] Term: **14 Years**

[21] Appl. No.: **541**

[22] Filed: **Oct. 16, 1992**

[52] U.S. Cl. **D24/129; D23/262**

[58] Field of Search **D24/129, 108, 110, 112; D23/262, 259; 285/412, 368, 405, 410, 406, 414; 604/29, 283, 903, 256**

[56] **References Cited**

U.S. PATENT DOCUMENTS

D. 304,232	10/1989	Fuller	D24/110
2,335,040	11/1943	Bruno	285/368 X
2,755,112	7/1956	Klancnik	285/405
4,946,455	8/1990	Rosen	604/905 X
4,948,176	8/1990	Bartholomew	285/93
5,284,134	2/1994	Vaughn et al.	128/200.24

OTHER PUBLICATIONS

The Anchor Catalog #404 "Socket Weld Litting" pp. 52, 63 ©1963.

Primary Examiner—A. Hugo Word

Assistant Examiner—I. Simmons

Attorney, Agent, or Firm—G. Donald Weber, Jr.

[57] **CLAIM**

The ornamental design for a adult-size intubation swivel connector, as shown and described.

DESCRIPTION

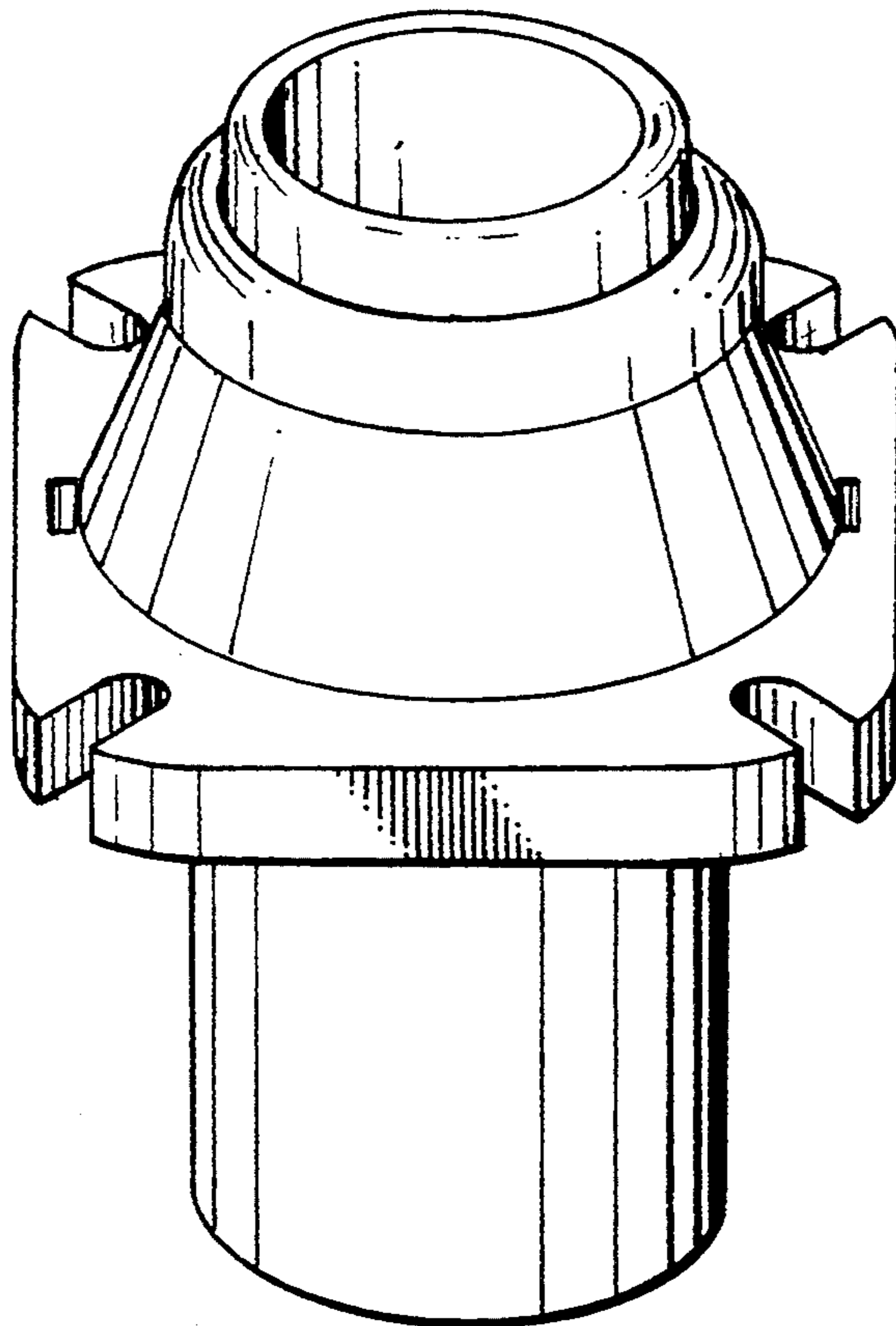
FIG. 1 is an isometric view of the adult-size intubation swivel connector of the instant invention;

FIG. 2 is a top view of the adult-size intubation swivel connector of the instant invention shown in FIG. 1;

FIG. 3 is a bottom view of the adult-size intubation swivel connector of the instant invention shown in FIG. 1.

FIG. 4 is a side view of the adult-size intubation swivel connector of the instant invention. The opposite side view is identical.

FIG. 5 is a cross-sectional view of the adult-size intubation swivel connector taken from the line 5—5 of FIG. 2.



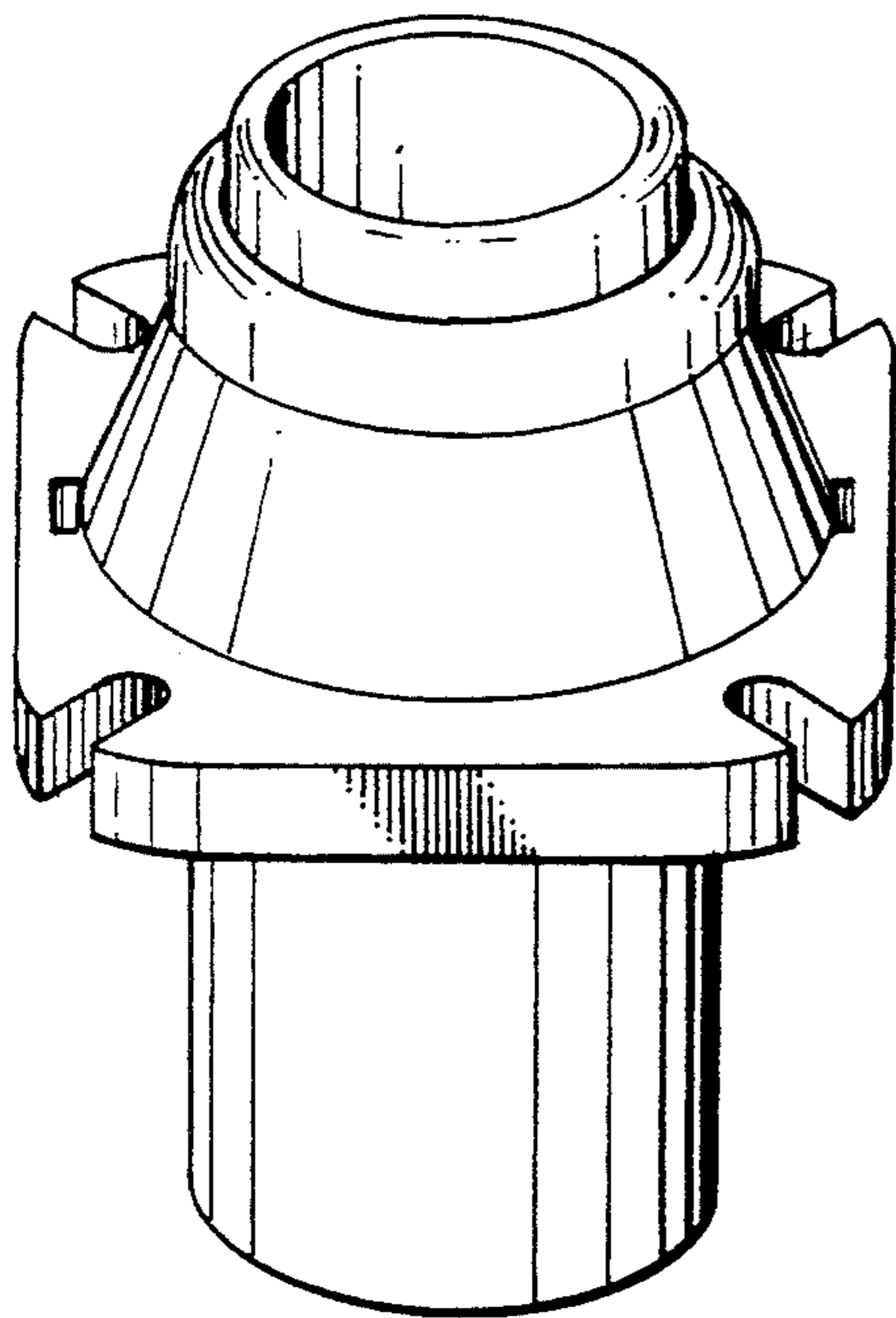


FIG. 1

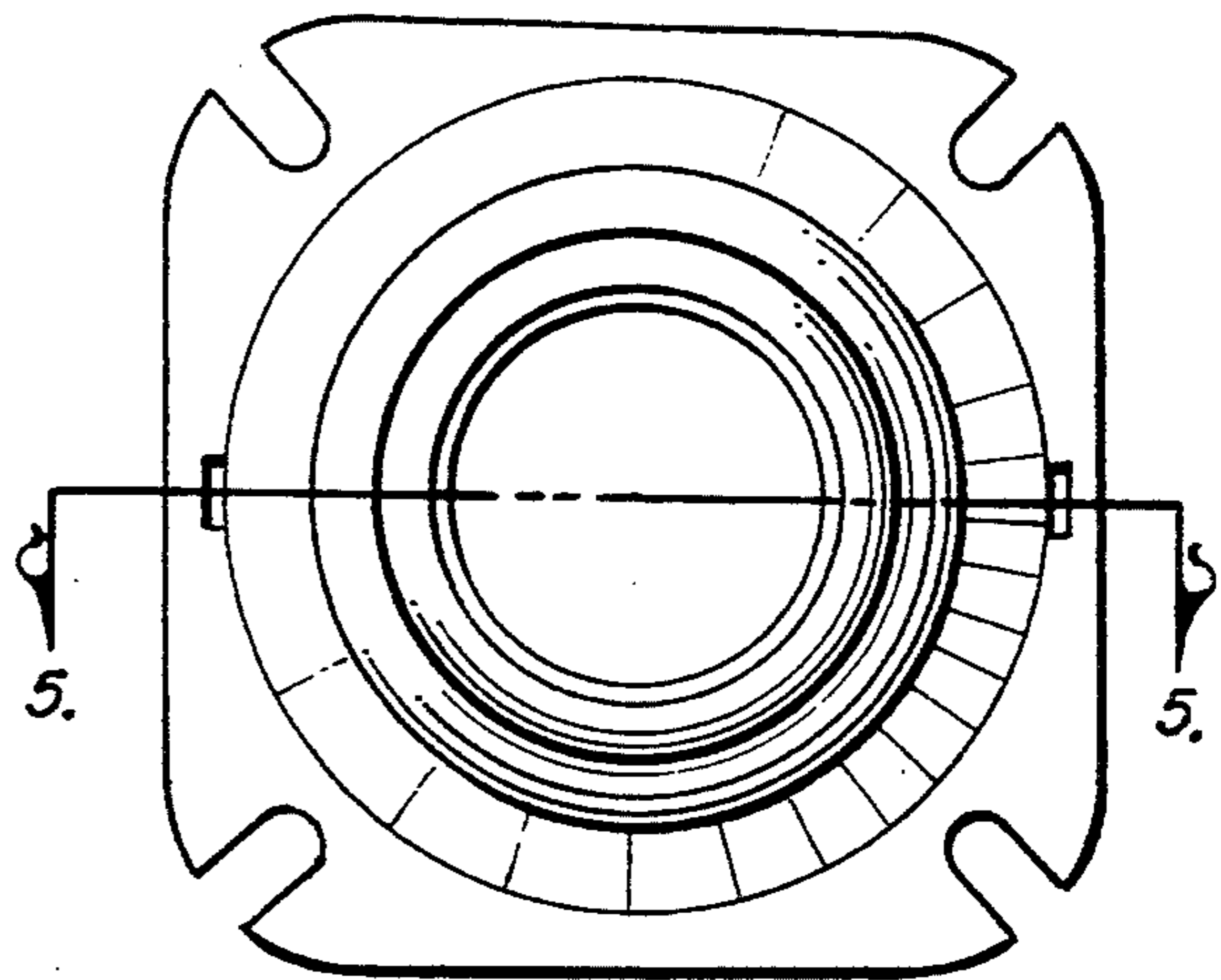


FIG. 2

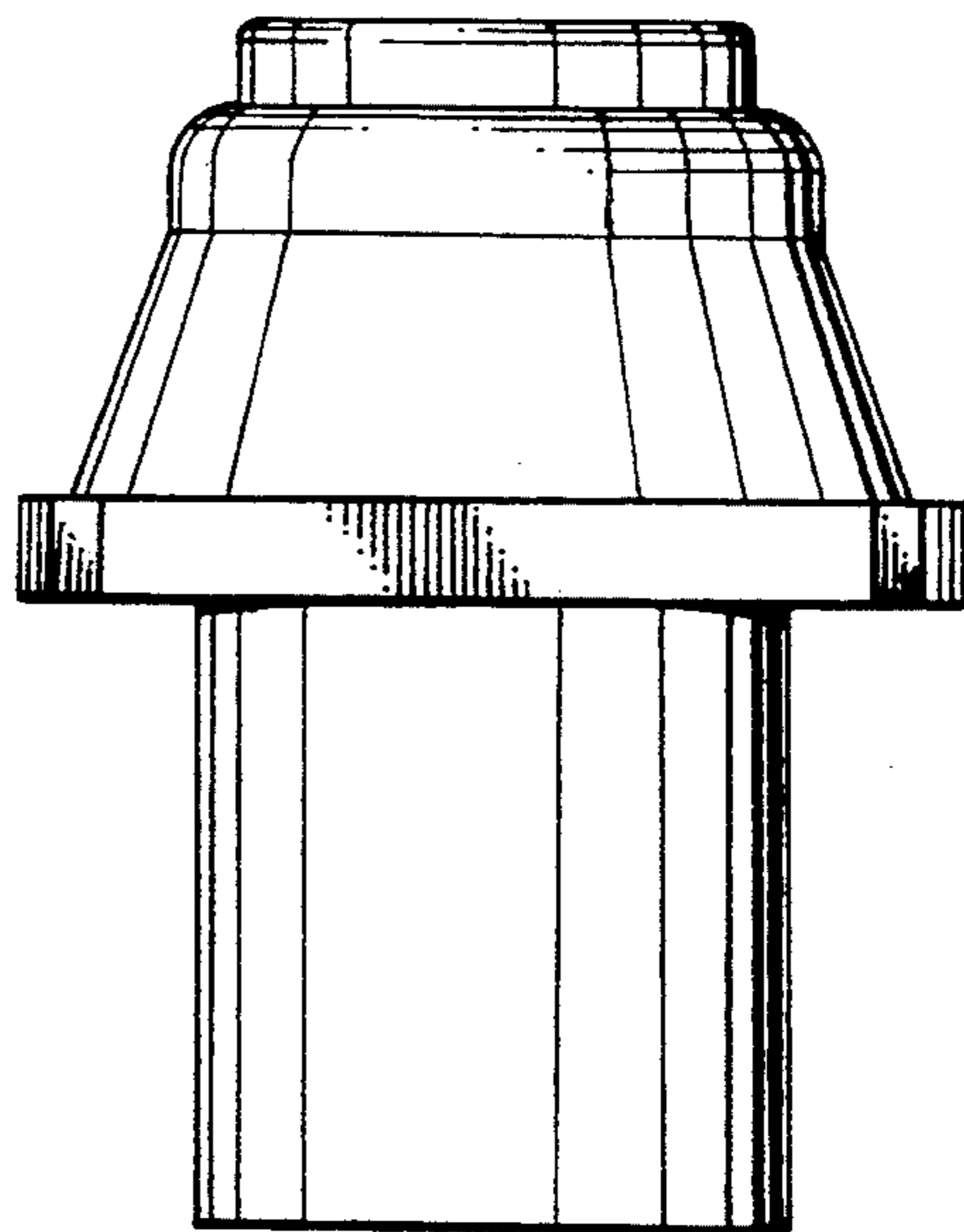


FIG. 4

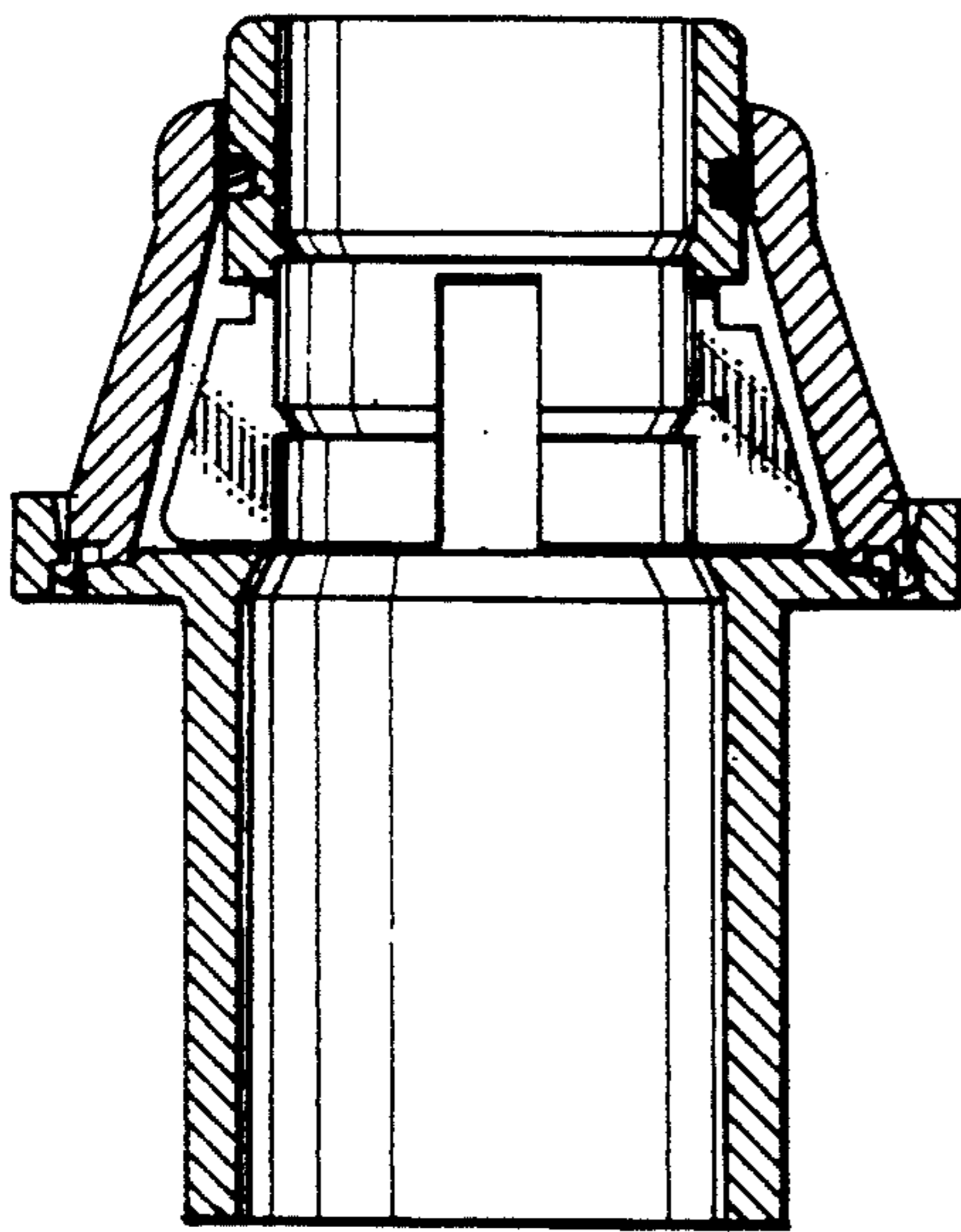


FIG. 5

FIG. 3

