



US00D358468S

United States Patent [19]

[11] Patent Number: **Des. 358,468**

Howard

[45] Date of Patent: **** May 16, 1995**

- [54] URINE CONTAINER FOR USE WITH CATHETER DRAINAGE BAGS
- [76] Inventor: **Dennis Howard**, P.O. Box 388, Pineville, Ky. 40977
- [**] Term: **14 Years**
- [21] Appl. No.: **5,022**
- [22] Filed: **Feb. 18, 1993**
- [52] U.S. Cl. **D24/122; D24/118; D24/121; D24/224**
- [58] Field of Search **D24/118, 121, 122; D9/305, 522, 572, 575, 574, 573, 516, 547, 543, 530; 215/100, 1 R, 1 C; 220/400, 476**

- D. 304,546 11/1989 Cattach D24/118
- 3,072,285 1/1963 Aileo D9/522 X
- 4,790,833 12/1988 Schmidt 604/317
- 4,990,145 2/1991 Fleury 604/317
- 5,000,747 3/1991 Cardo 604/317

Primary Examiner—A. Hugo Word
Assistant Examiner—Ian Simmons
Attorney, Agent, or Firm—Terry M. Gernstein

[57] CLAIM

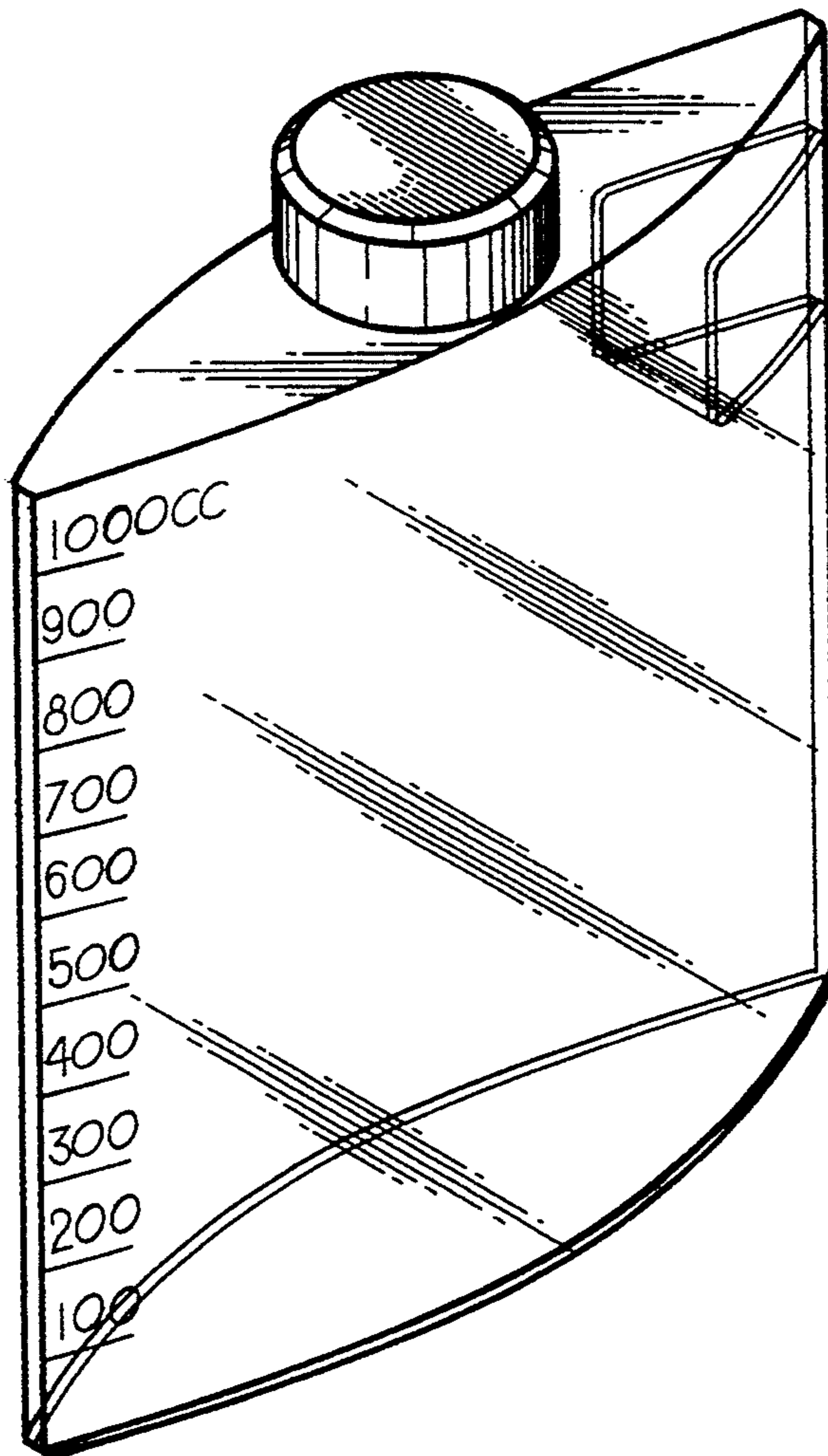
The ornamental design for a urine container for use with catheter drainage bags, as shown and described.

DESCRIPTION

FIG. 1 is a front, top and side perspective view of the urine container for use with catheter drainage bags embodying the design of the present invention;
 FIG. 2 is a front elevational view thereof;
 FIG. 3 is a rear elevational view thereof;
 FIG. 4 is a side elevational view thereof;
 FIG. 5 is a side elevational view thereof;
 FIG. 6 is a top plan view thereof; and,
 FIG. 7 is a bottom plan view thereof.

[56] **References Cited**
U.S. PATENT DOCUMENTS

- D. 72,525 4/1927 Negbaur D9/522
- D. 185,432 6/1959 Goldstein D9/522
- D. 254,590 4/1980 Spigelman D9/522
- D. 276,698 12/1984 Carlson D9/522
- D. 287,937 1/1987 Sargent et al. D9/523



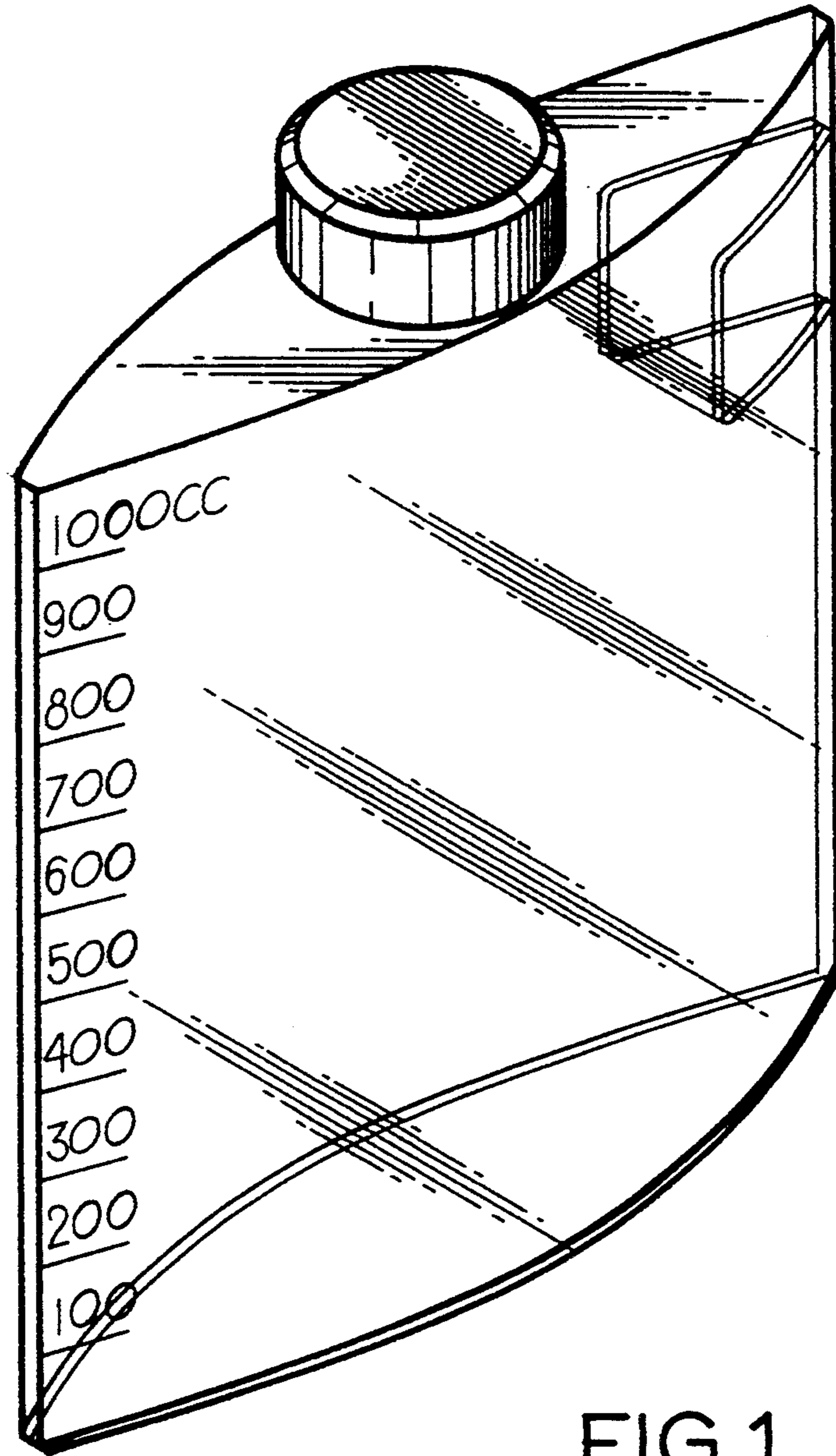


FIG. 1

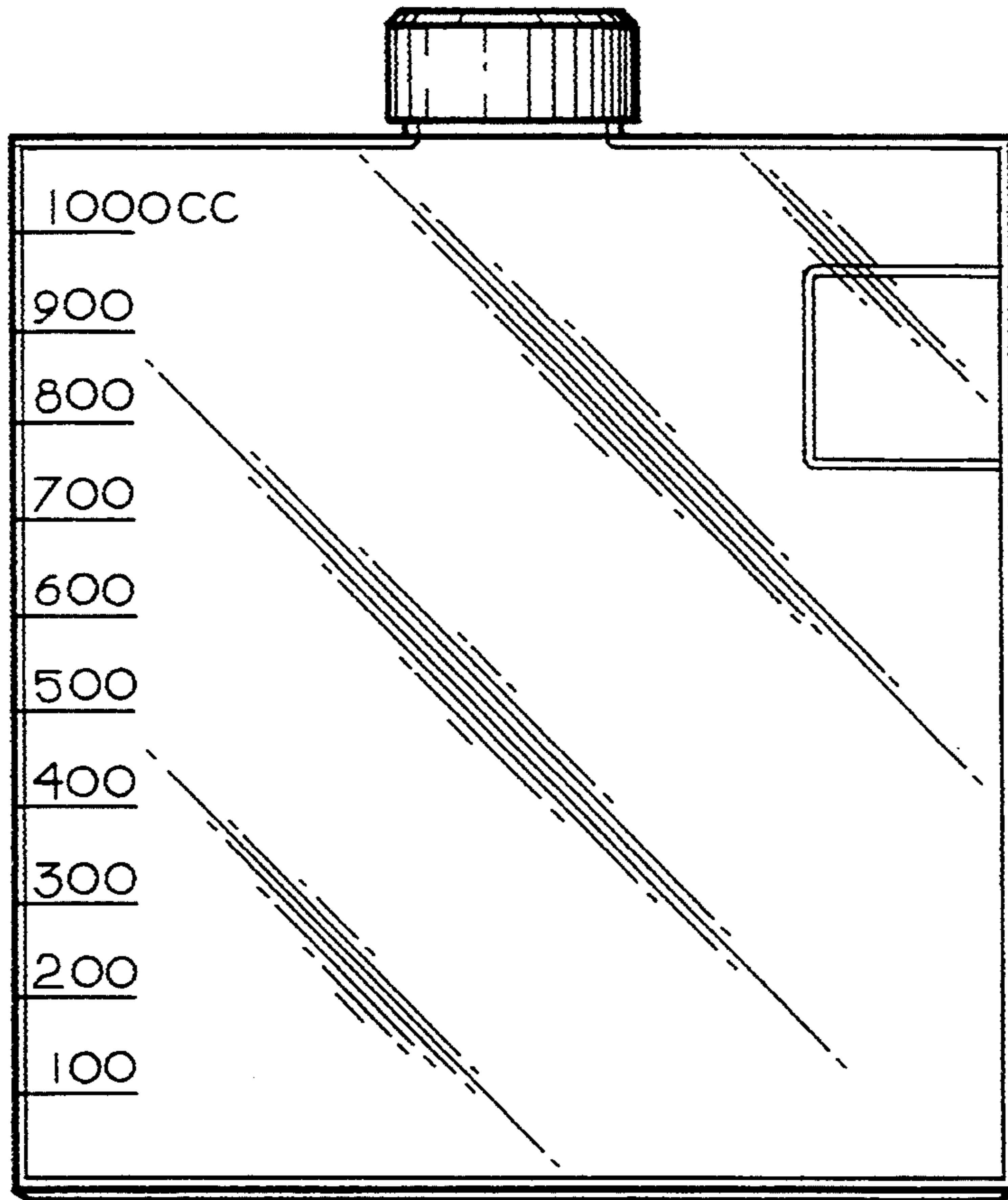


FIG. 2

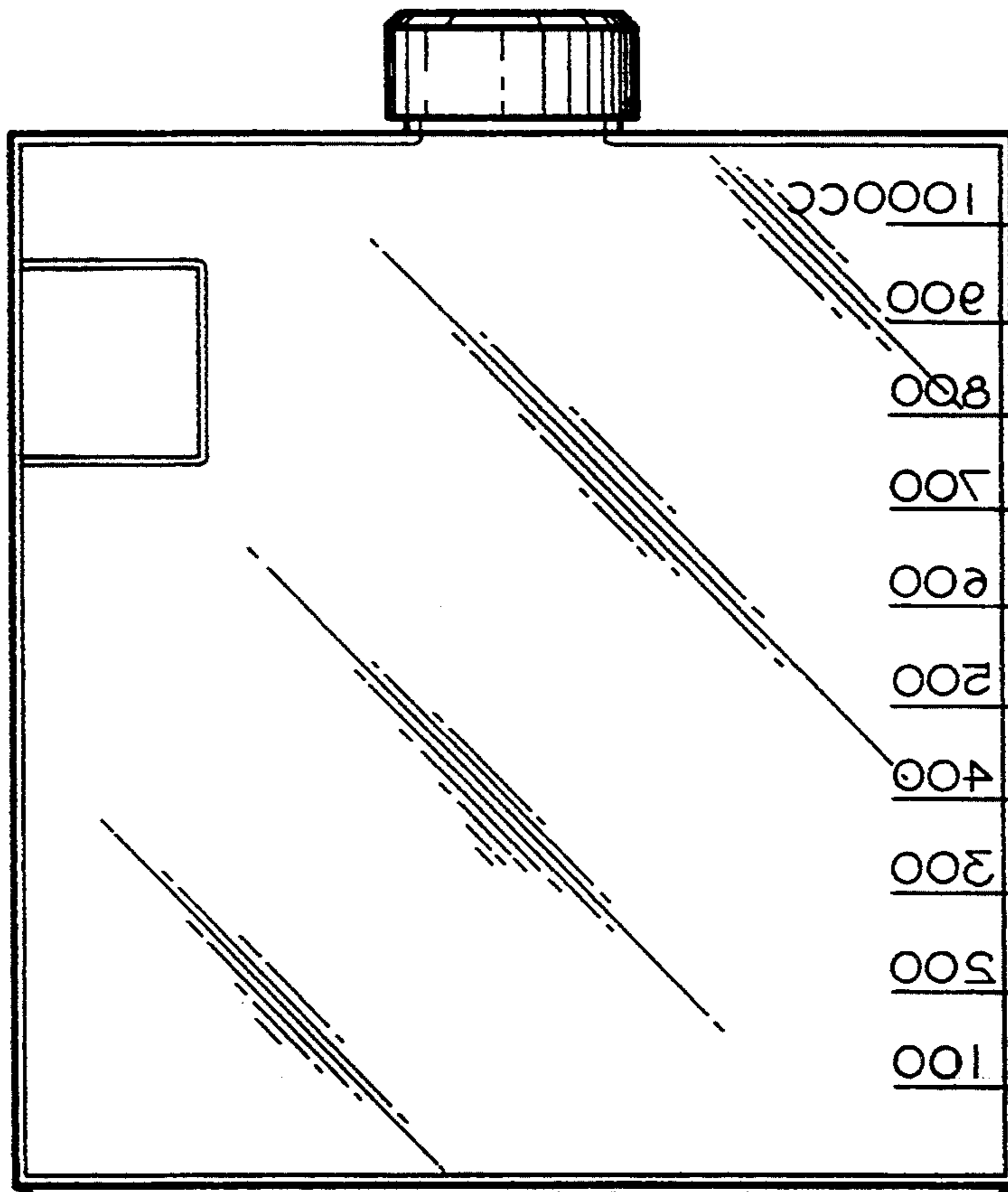


FIG. 3

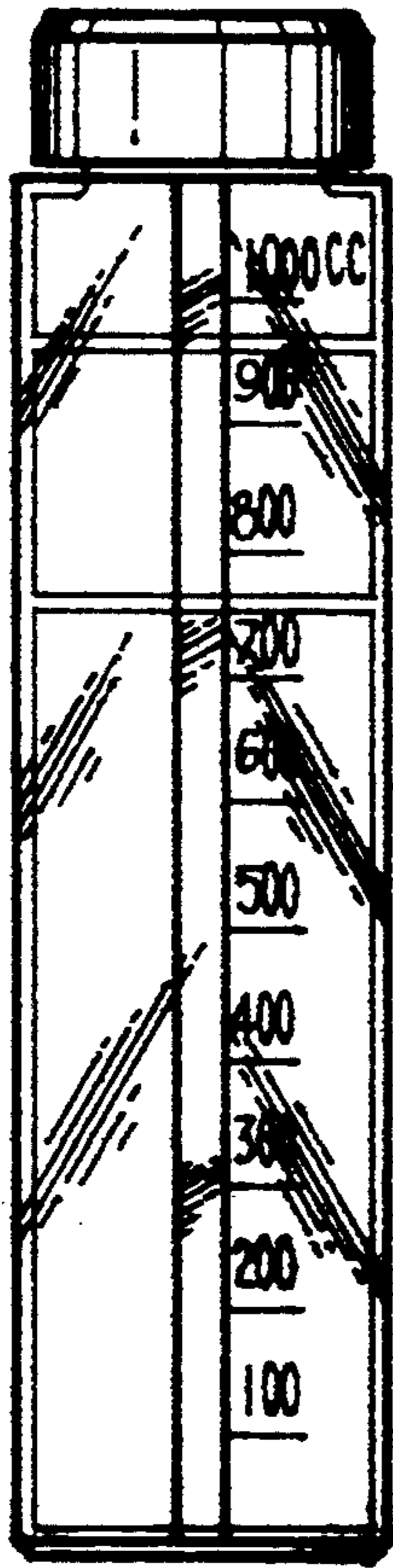


FIG. 4

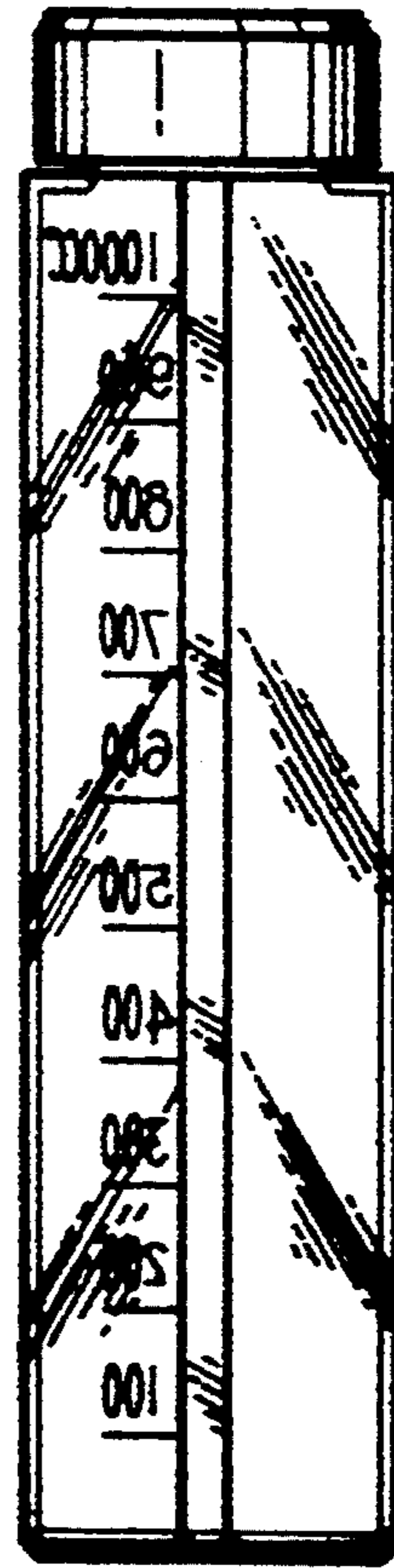


FIG. 5

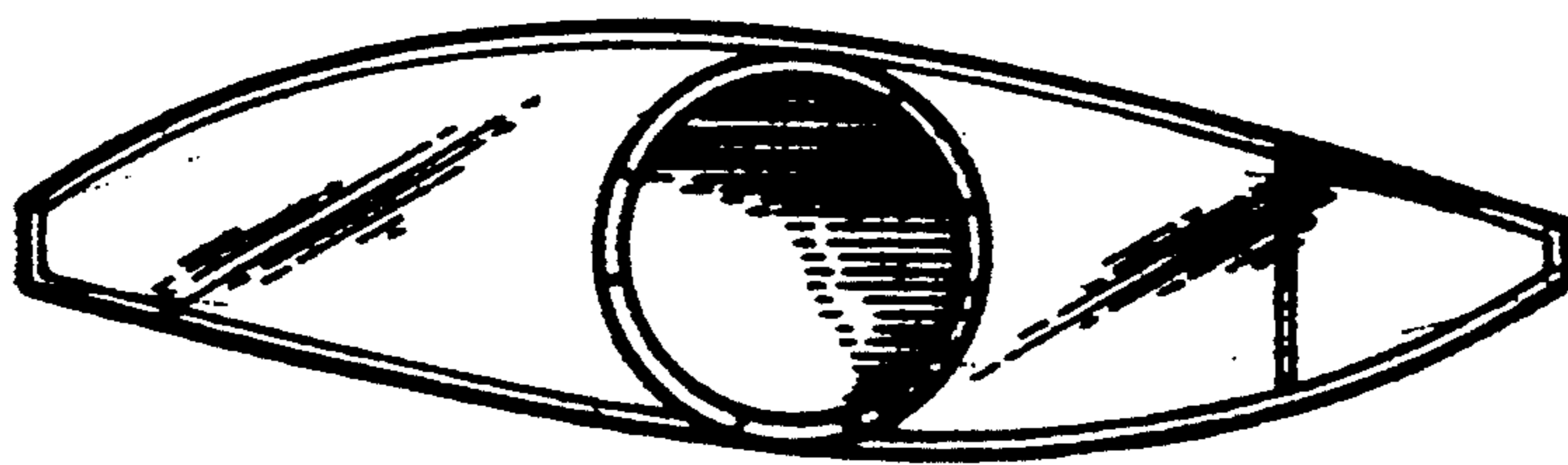


FIG. 6

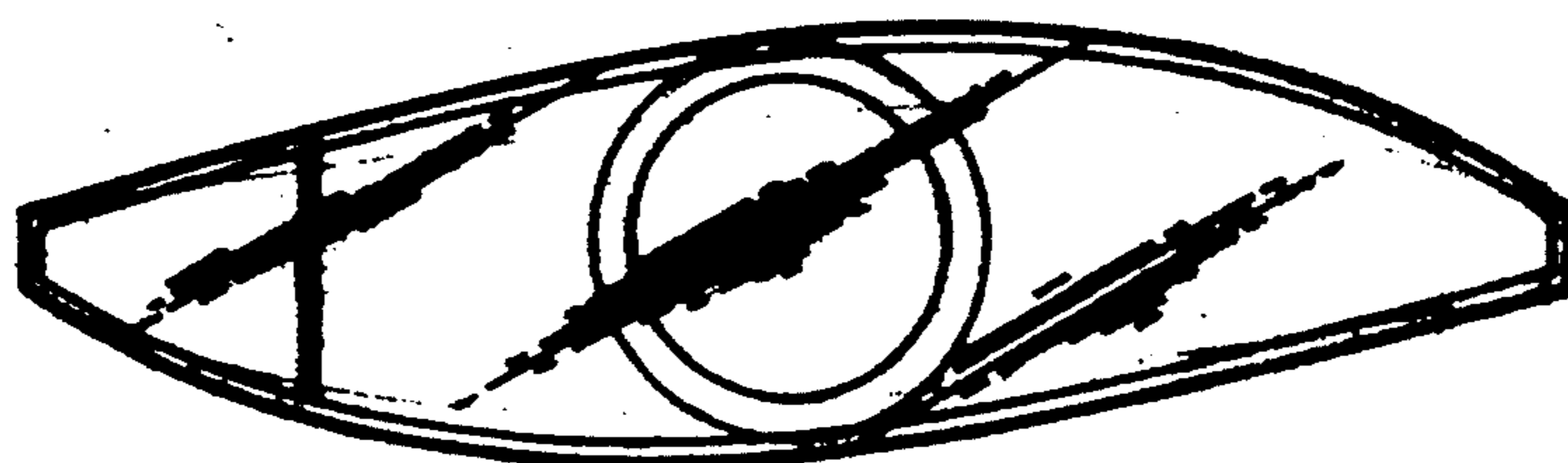


FIG. 7