



US00D358467S

United States Patent [19]

[11] Patent Number: **Des. 358,467**

Davis, Sr.

[45] Date of Patent: **** May 16, 1995**

[54] **DUAL URINE DRAINAGE BAG**

5,234,420 8/1993 Horton et al. 604/345
5,267,989 12/1993 Moyet-Ortiz 604/349

[76] Inventor: **James R. Davis, Sr.**, 111 S. Centennial Rd., Holland, Ohio 43528

Primary Examiner—A. Hugo Word
Assistant Examiner—I. Simmons
Attorney, Agent, or Firm—David L. Baker; Rhodes & Ascolillo

[**] Term: **14 Years**

[21] Appl. No.: **6,689**

[57] **CLAIM**

[22] Filed: **Apr. 5, 1993**

The ornamental design for a dual urine drainage bag, as shown and described.

[52] U.S. Cl. **D24/118; D24/122**

[58] Field of Search **D24/118, 110, 112; 604/349, 327, 351, 353, 408, 356, 403, 331, 345, 350, 324**

DESCRIPTION

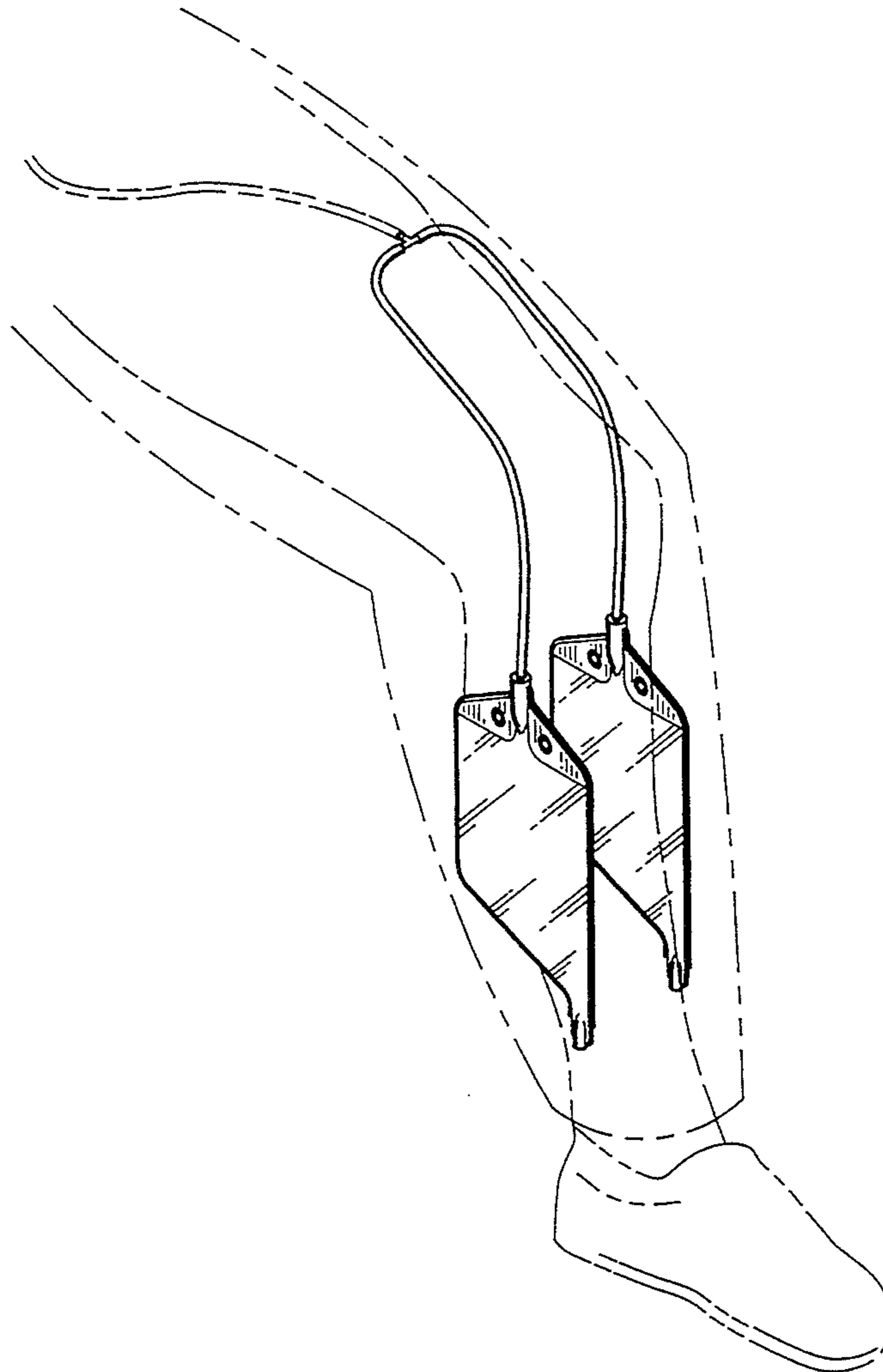
FIG. 1 is a perspective view of a dual urine drainage bag showing my new design, the broken line showing of the catheter and users leg is for illustrative purposes only and forms no part of then claimed design;

FIG. 2 is a perspective view;
FIG. 3 is a front elevational view;
FIG. 4 is a left side elevational view;
FIG. 5 is a bottom plan view;
FIG. 6 is a rear elevational view;
FIG. 7 is a right side elevational view; and,
FIG. 8 is a top plan view.

[56] **References Cited**

U.S. PATENT DOCUMENTS

D. 289,797	5/1987	Steer	D24/118
D. 303,841	10/1989	Cawood et al.	D24/118
2,815,025	12/1957	Fenton et al.	604/327
3,374,939	3/1968	McMenimen	D24/118 X
4,511,358	4/1985	Johnson, Jr. et al.	D24/118 X
4,534,766	8/1985	Steer et al.	604/323
4,813,943	3/1989	Smith	604/329



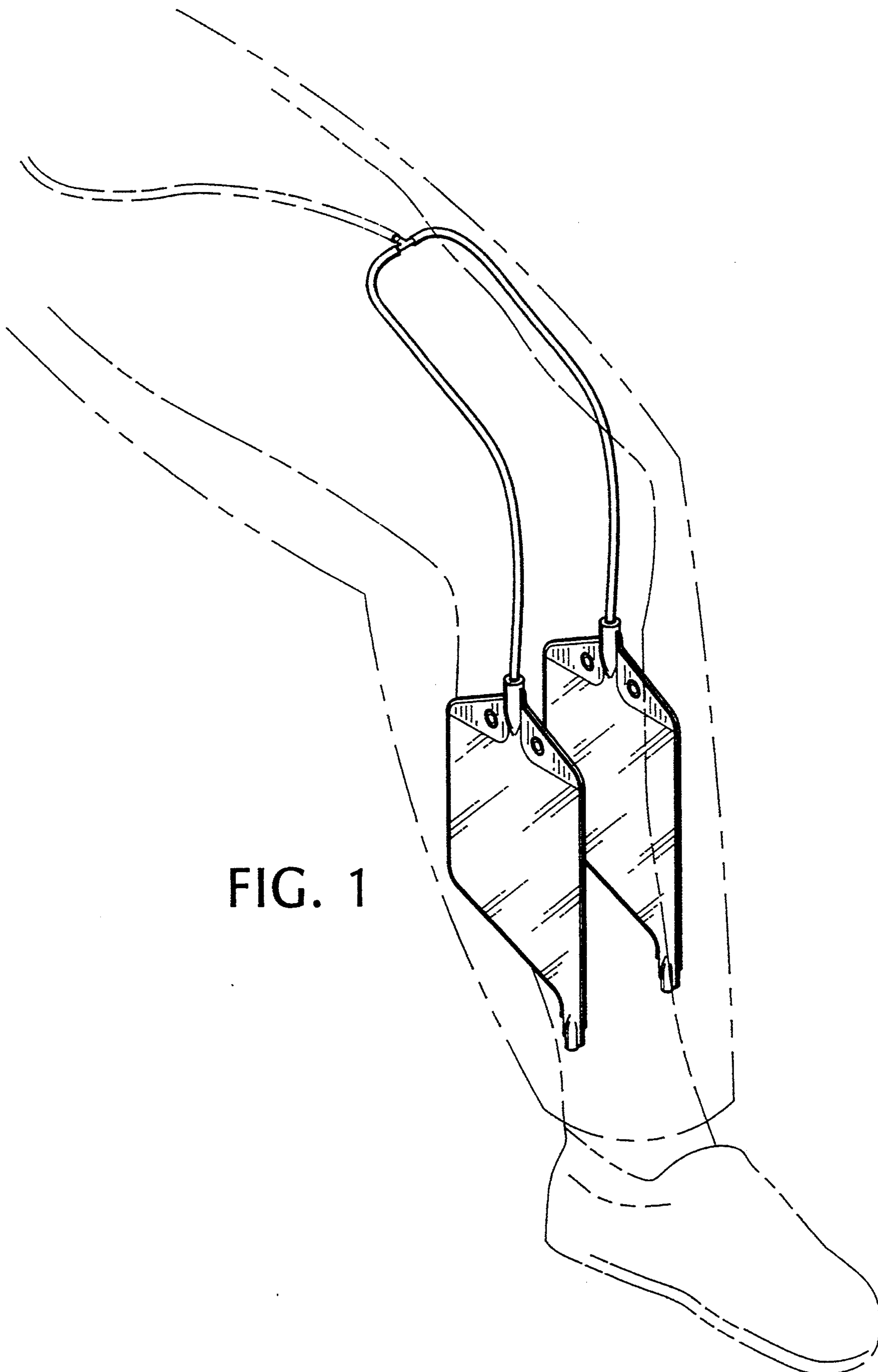


FIG. 1

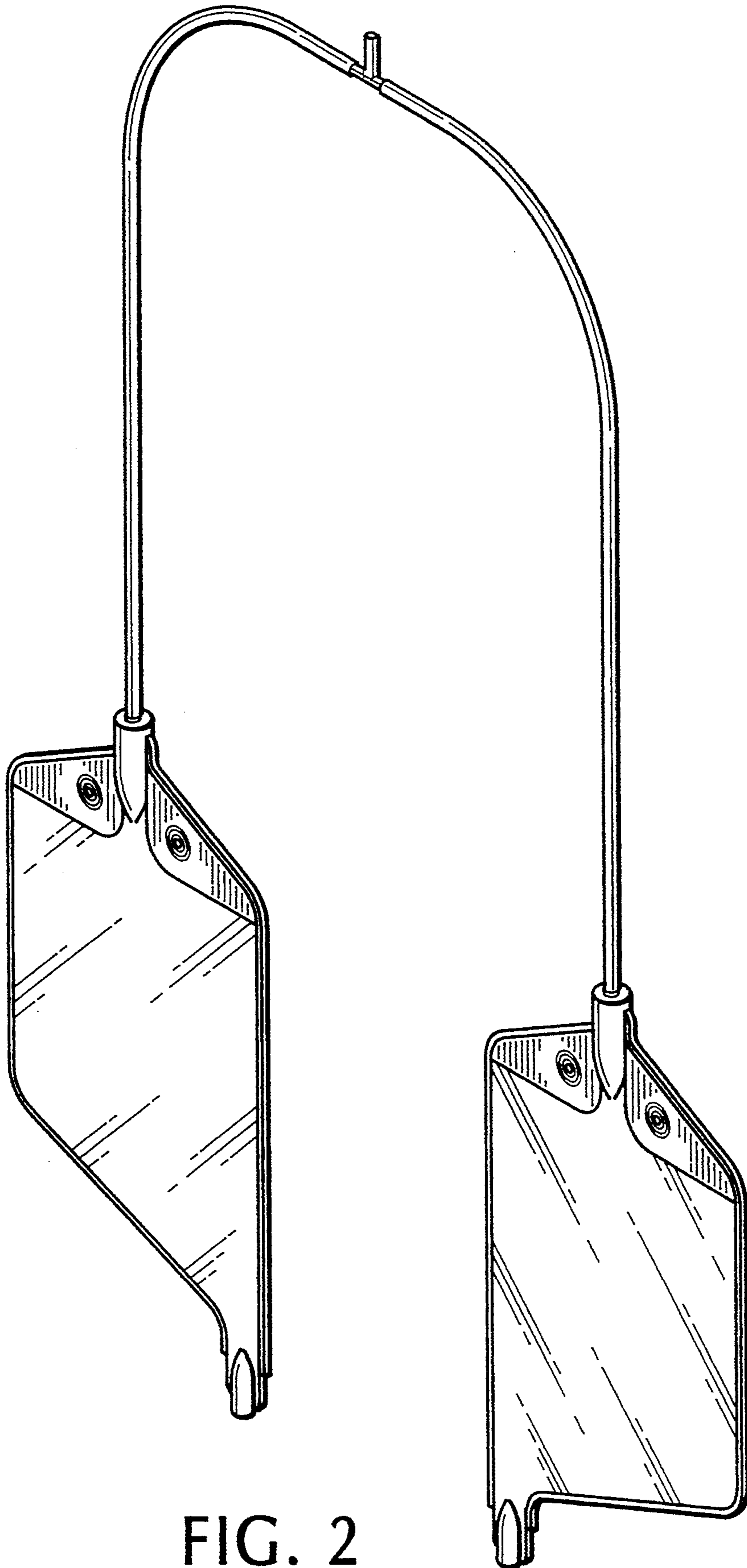


FIG. 2

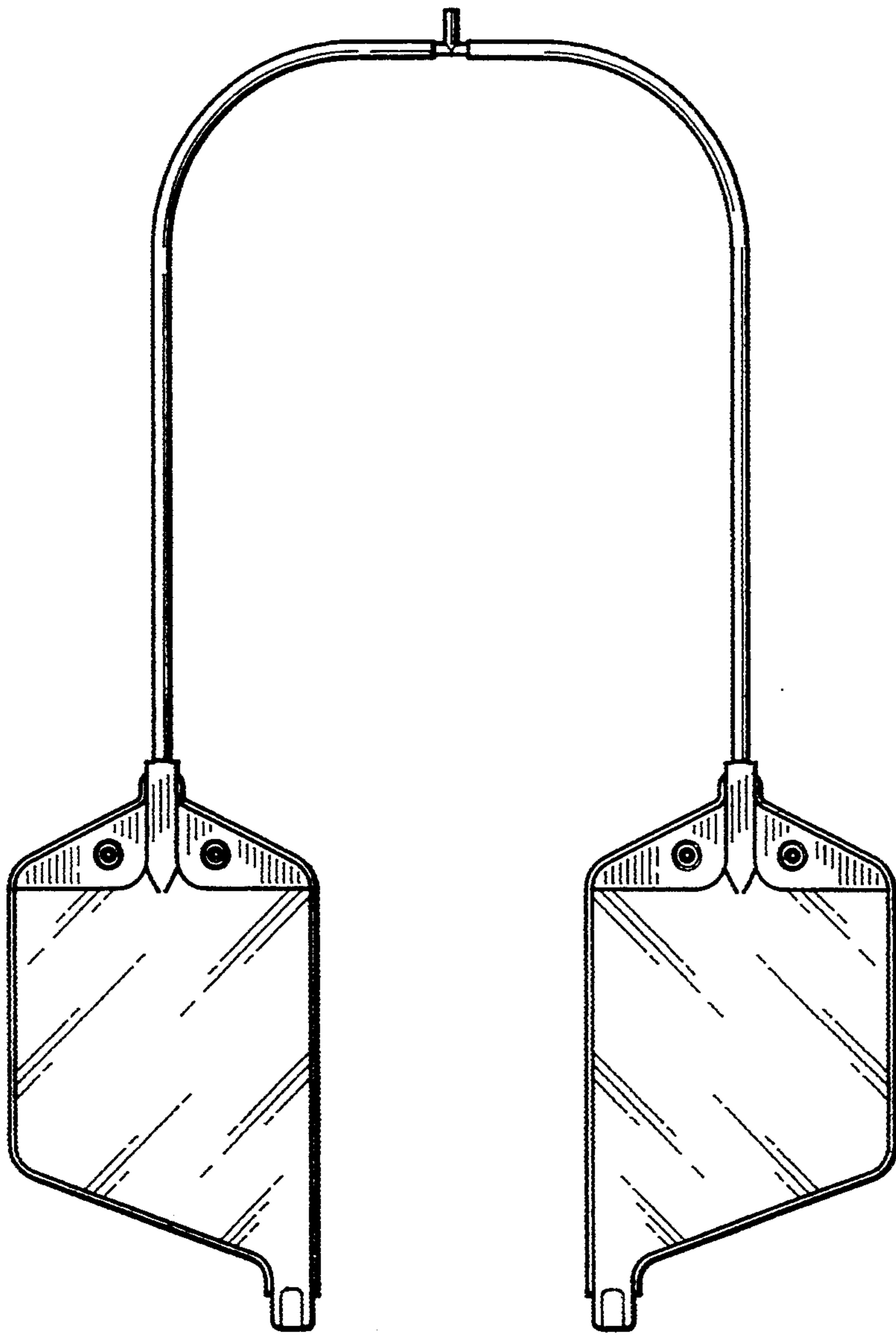


FIG. 3



FIG. 4

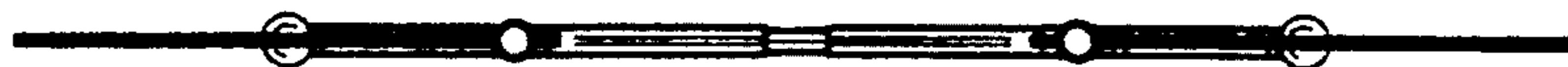


FIG. 5



FIG. 8

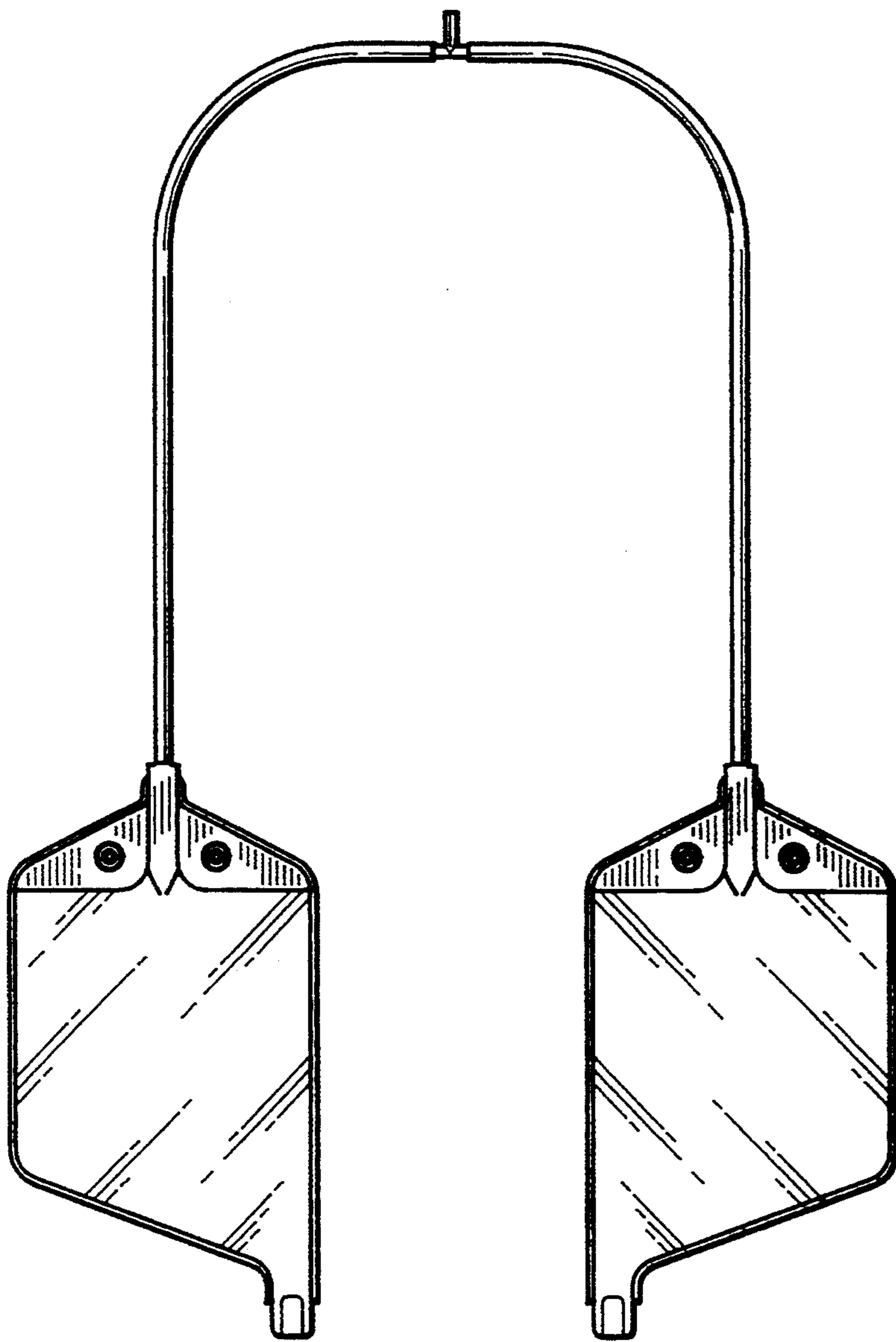


FIG. 6



FIG. 7