



US00D358465S

United States Patent [19]

[11] Patent Number: **Des. 358,465**

Klein et al.

[45] Date of Patent: **** May 16, 1995**

[54] **CATHETER INTRODUCER**

[75] Inventors: **James K. Klein, Boerne; George E. Sinko, San Antonio, both of Tex.**

[73] Assignee: **Gesco International, Inc., San Antonio, Tex.**

[**] Term: **14 Years**

[21] Appl. No.: **12,750**

[22] Filed: **Sep. 9, 1993**

[52] U.S. Cl. **D24/112**

[58] Field of Search **D24/112, 130, 146; 604/160, 165, 164, 161, 177, 168, 192, 198**

4,326,519	4/1982	D'Alo et al.	D24/112 X
4,735,614	4/1988	Yapp et al.	604/165
4,834,708	5/1989	Pillari	604/165
5,141,497	8/1992	Erskine	604/165

Primary Examiner—A. Hugo Word
Assistant Examiner—I. Simmons
Attorney, Agent, or Firm—Cox & Smith Incorporated

[57] **CLAIM**

The ornamental design for a catheter introducer, as shown and described.

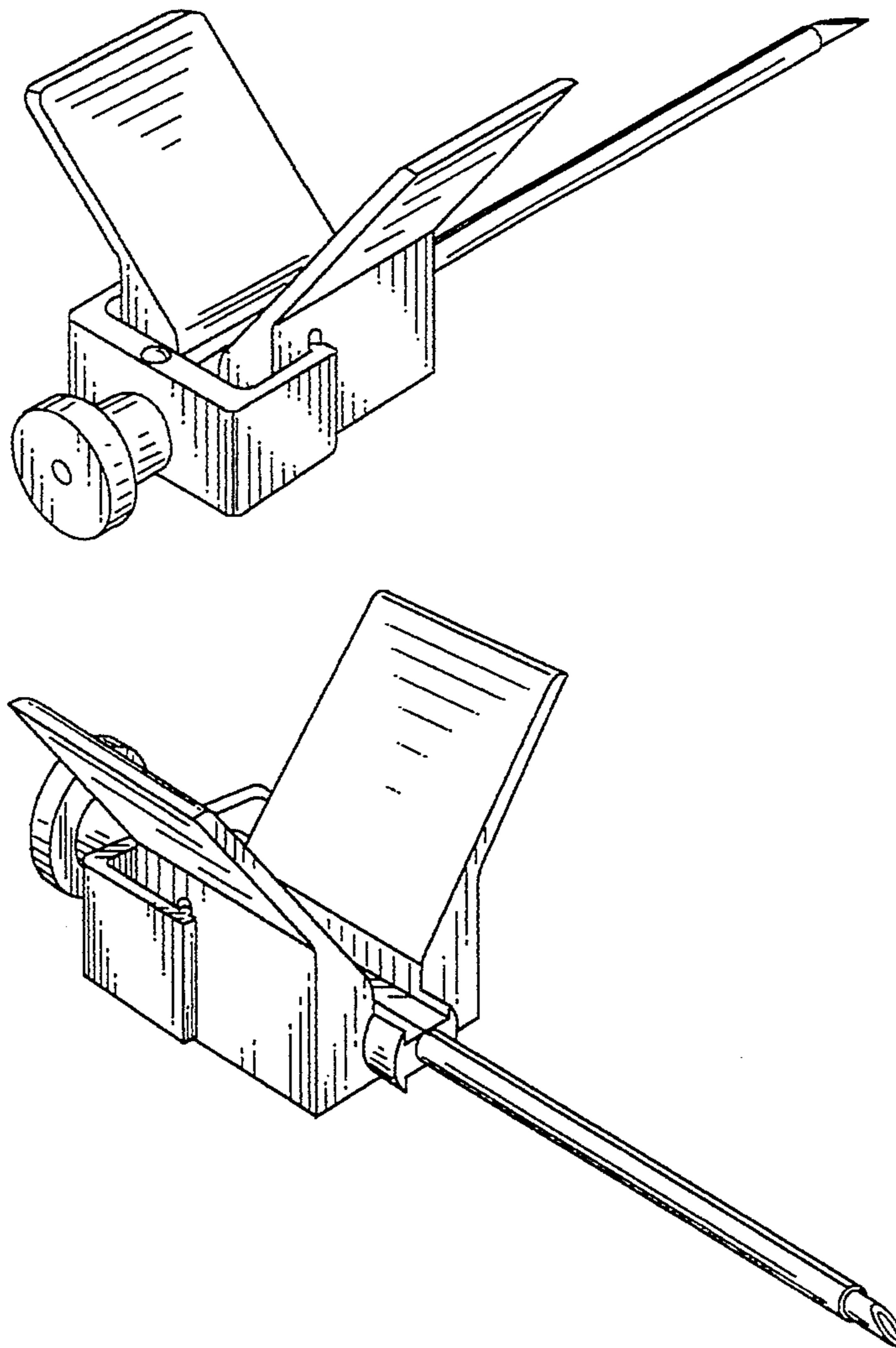
DESCRIPTION

FIG. 1 is a front perspective view of the catheter introducer showing our new design;
FIG. 2 is a rear perspective view, thereof;
FIG. 3 is a top plan view, thereof;
FIG. 4 is a left-hand side elevation view, thereof;
FIG. 5 is a front elevation view, thereof;
FIG. 6 is a right-hand side elevation view, thereof;
FIG. 7 is a bottom plan view, thereof; and,
FIG. 8 is a rear elevation view, thereof.

[56] **References Cited**

U.S. PATENT DOCUMENTS

D. 208,611	9/1967	Smith, Jr.	D24/112
D. 223,043	2/1972	Raines	D24/112
3,906,946	9/1975	Nordström	604/177 X
4,209,015	6/1980	Wicks	604/164



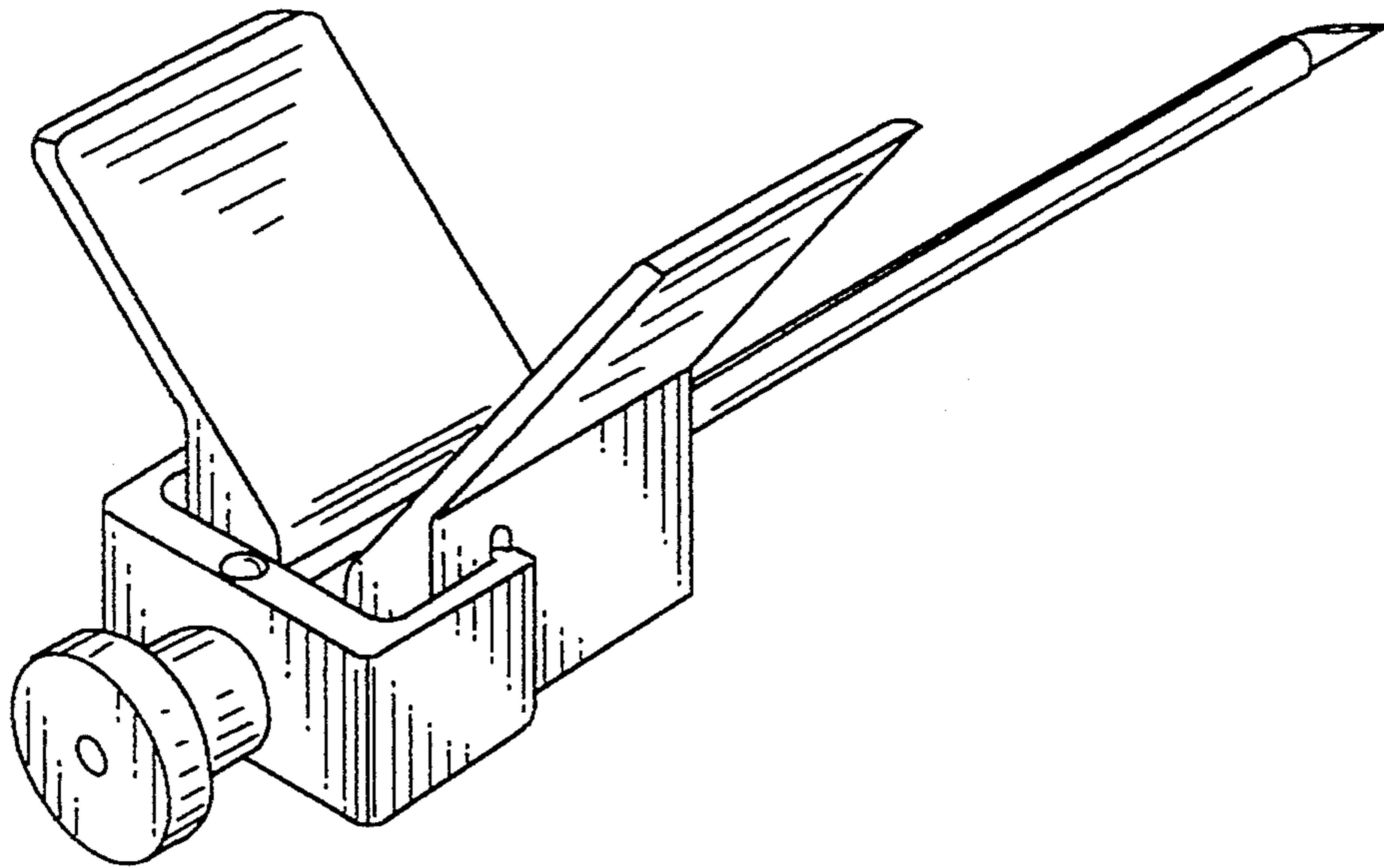


Fig. 1

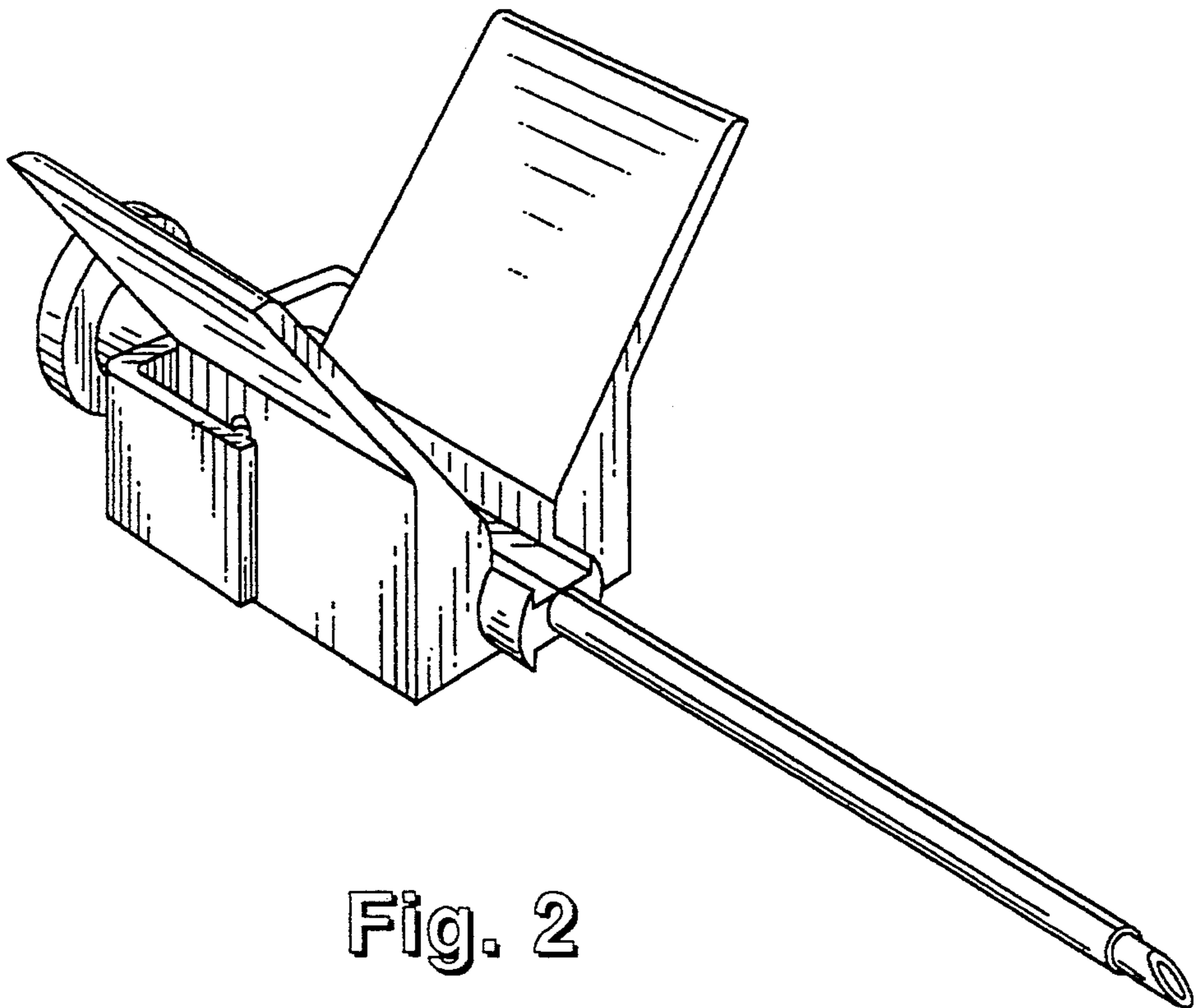


Fig. 2

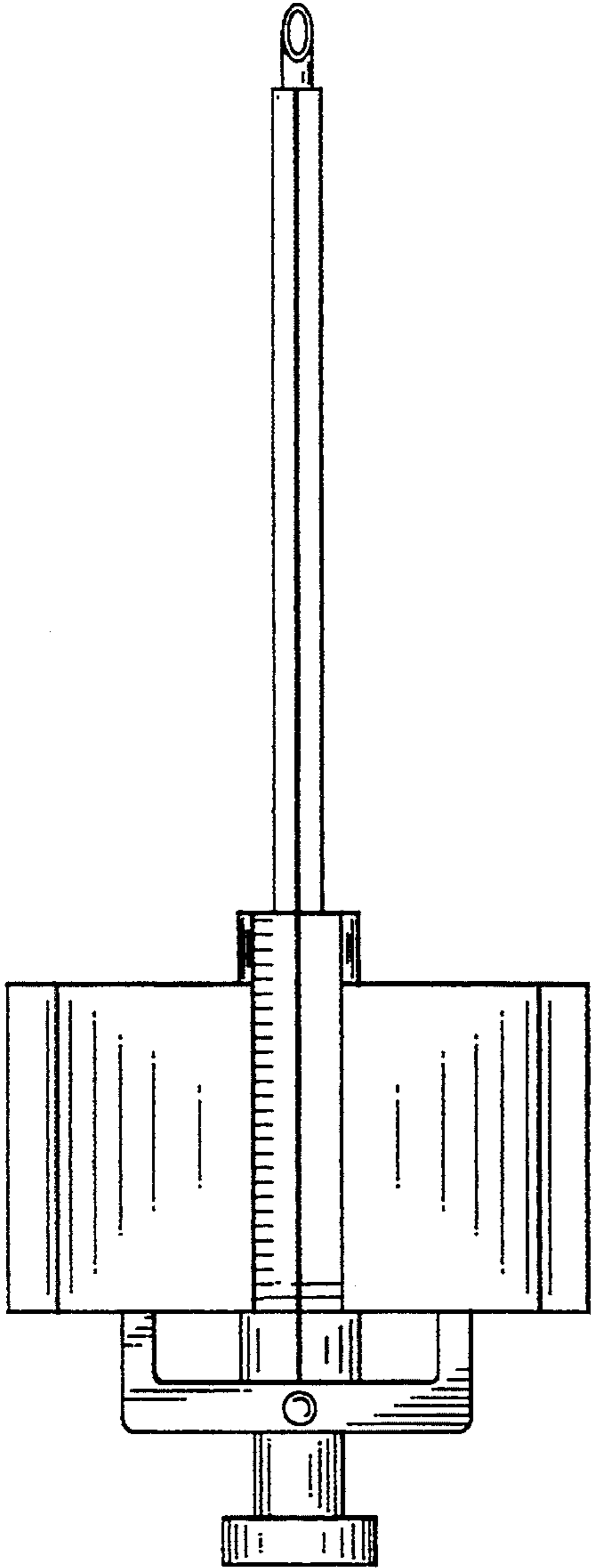


Fig. 3

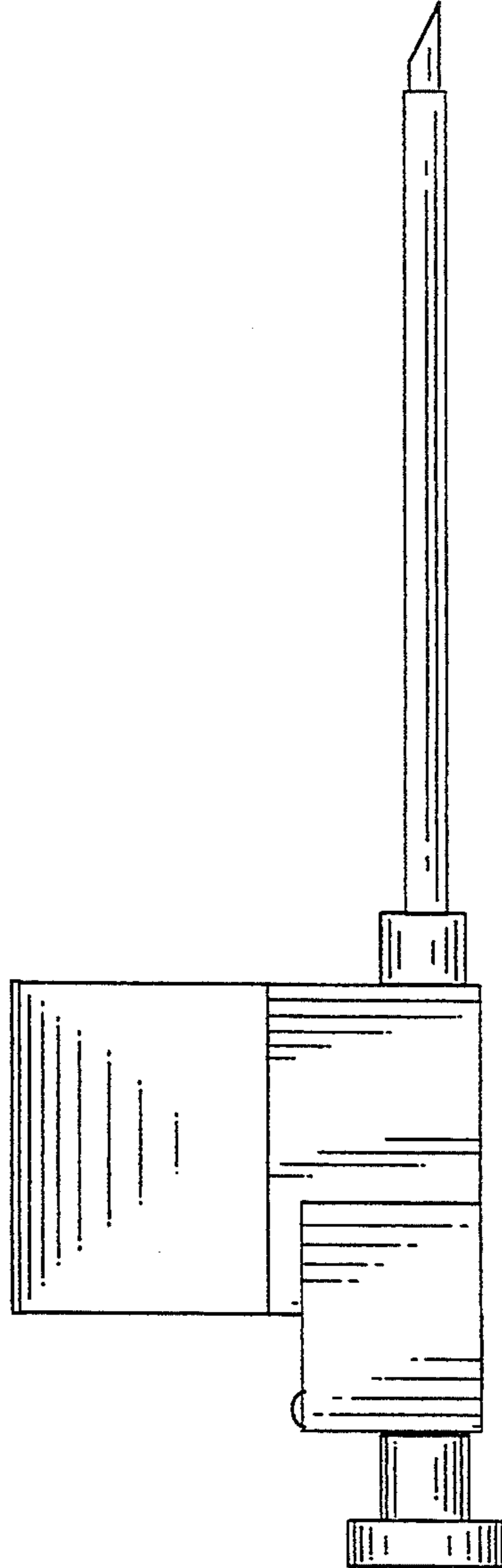


Fig. 4

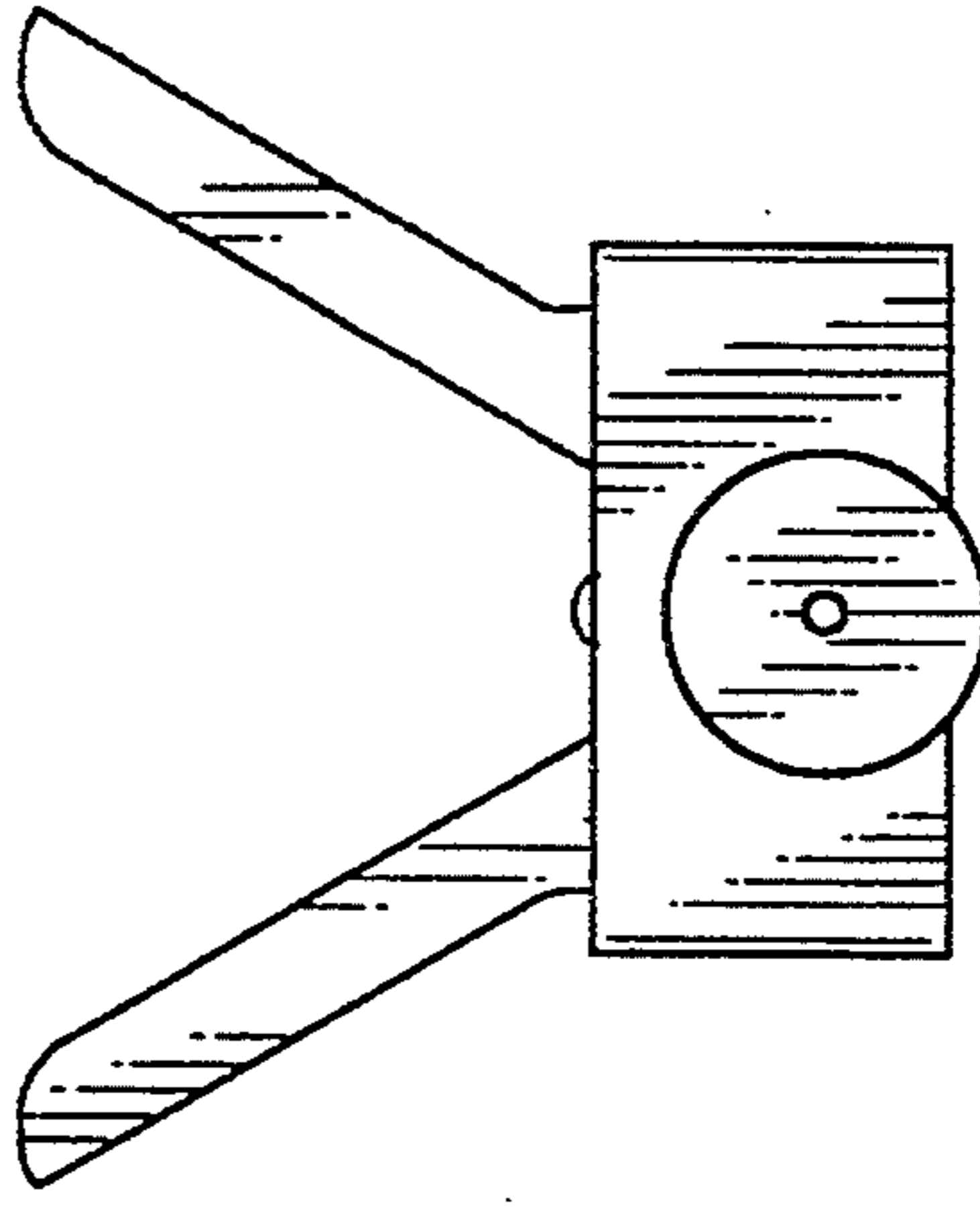


Fig. 5

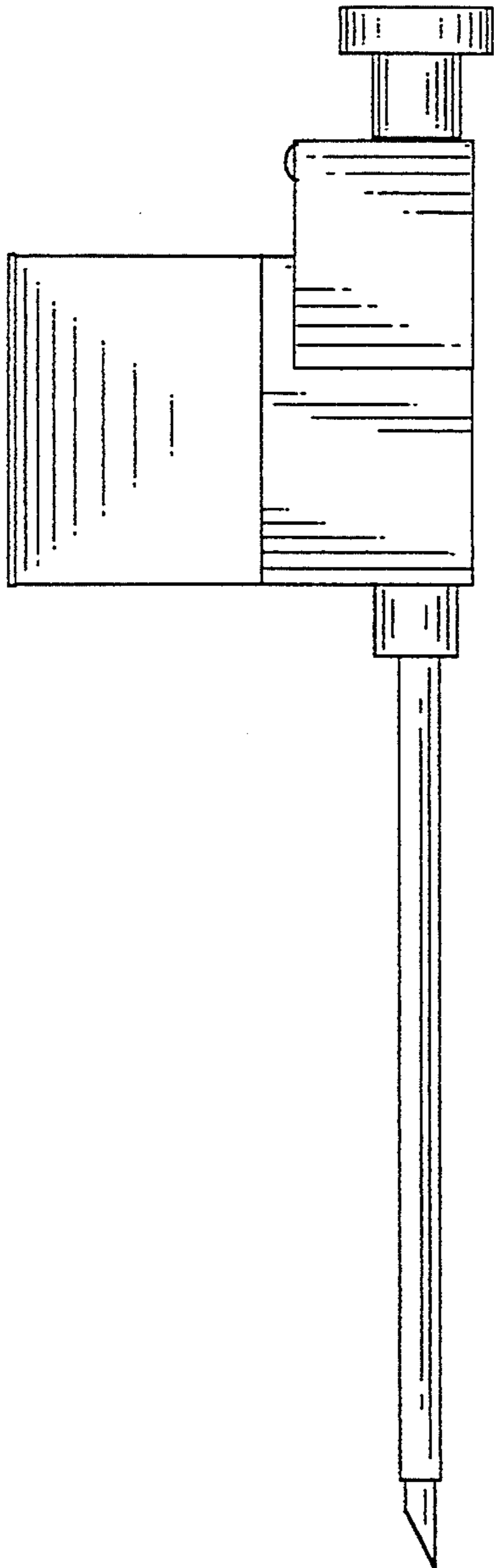


Fig. 6

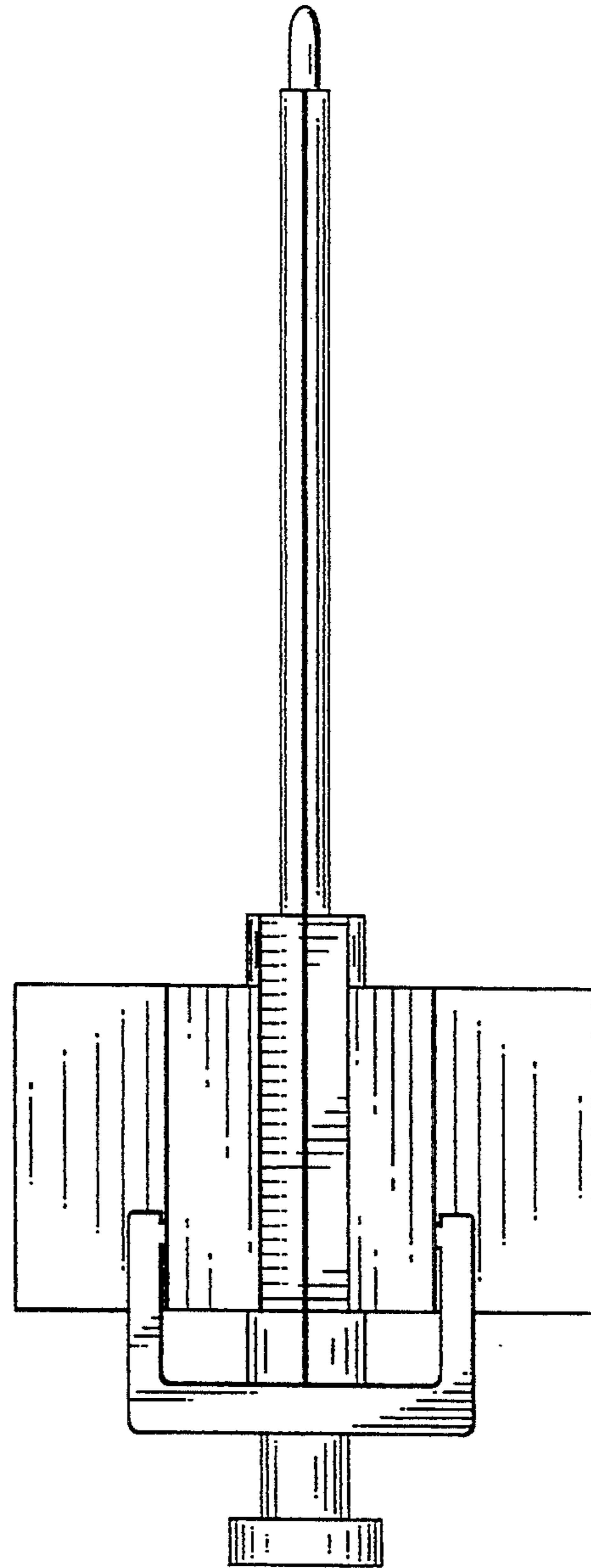


Fig. 7

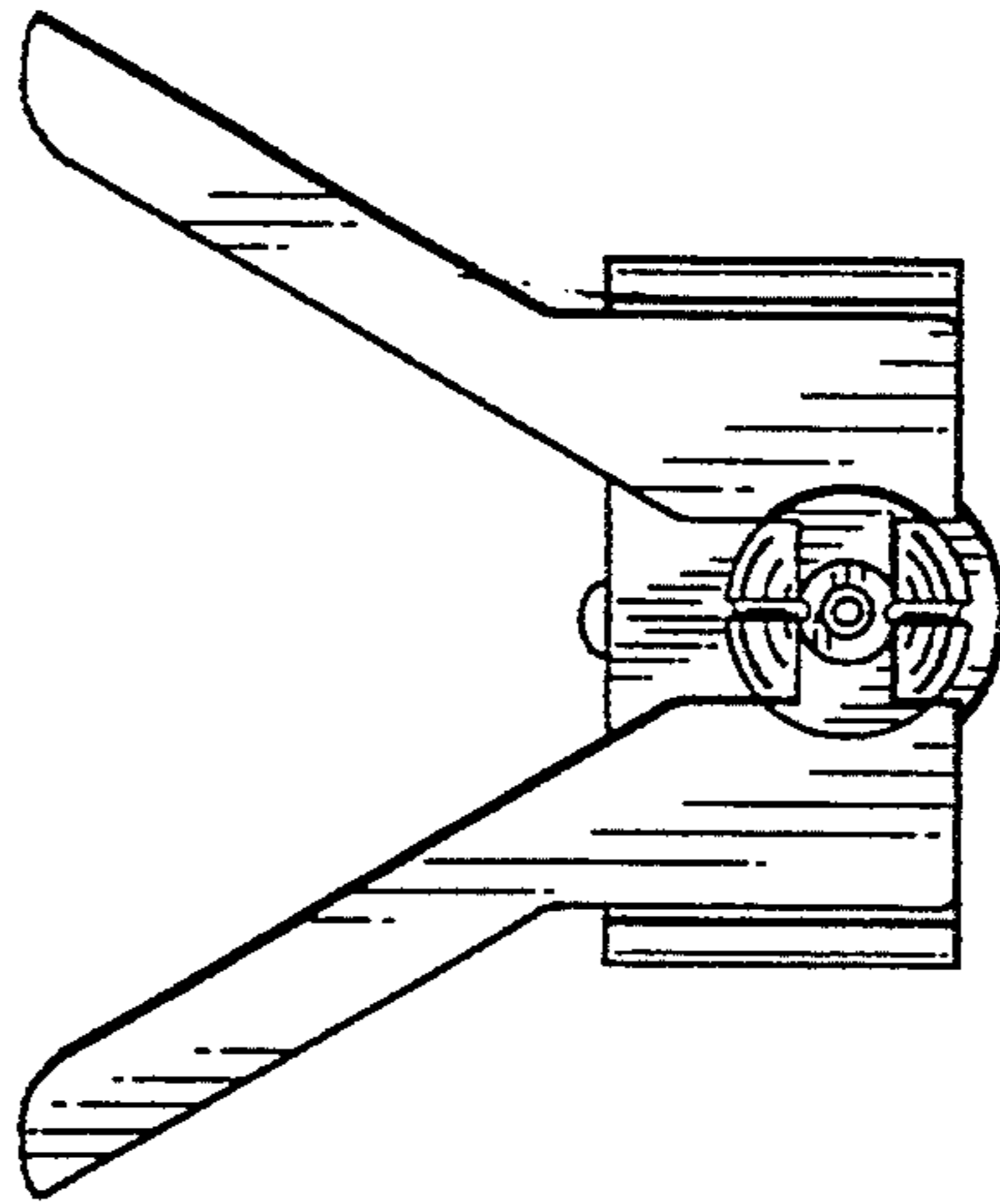


Fig. 8