



US00D358461S

United States Patent [19]

[11] Patent Number: **Des. 358,461**

Barker et al.

[45] Date of Patent: **** May 16, 1995**

[54] **HUMIDIFIER**

[76] Inventors: **Robert A. Barker**, 795 Mass Ave., Lunenburg, Mass. 01462; **Duncan P. Copland**, 105 Burgundy La., Newton, Pa. 18940

[**] Term: **14 Years**

[21] Appl. No.: **20,544**

[22] Filed: **Mar. 29, 1994**

[52] U.S. Cl. **D23/356**

[58] Field of Search **D23/356-363; 392/406, 405, 403, 395; 261/104, 107**

[56] **References Cited**

U.S. PATENT DOCUMENTS

D. 288,597 3/1987 Young Se **D23/356**

D. 330,074 10/1992 Wang et al. **D23/356**
D. 337,634 7/1993 Copland et al. **D23/356**
D. 349,566 8/1994 O'Grady **D23/356**

Primary Examiner—Lisa P. Lichtenstein
Attorney, Agent, or Firm—Kriegsman & Kriegsman

[57] **CLAIM**

The ornamental design for a humidifier, as shown.

DESCRIPTION

FIG. 1 is a front, left, perspective view of a humidifier showing our new design;

FIG. 2 is a front elevational view thereof;

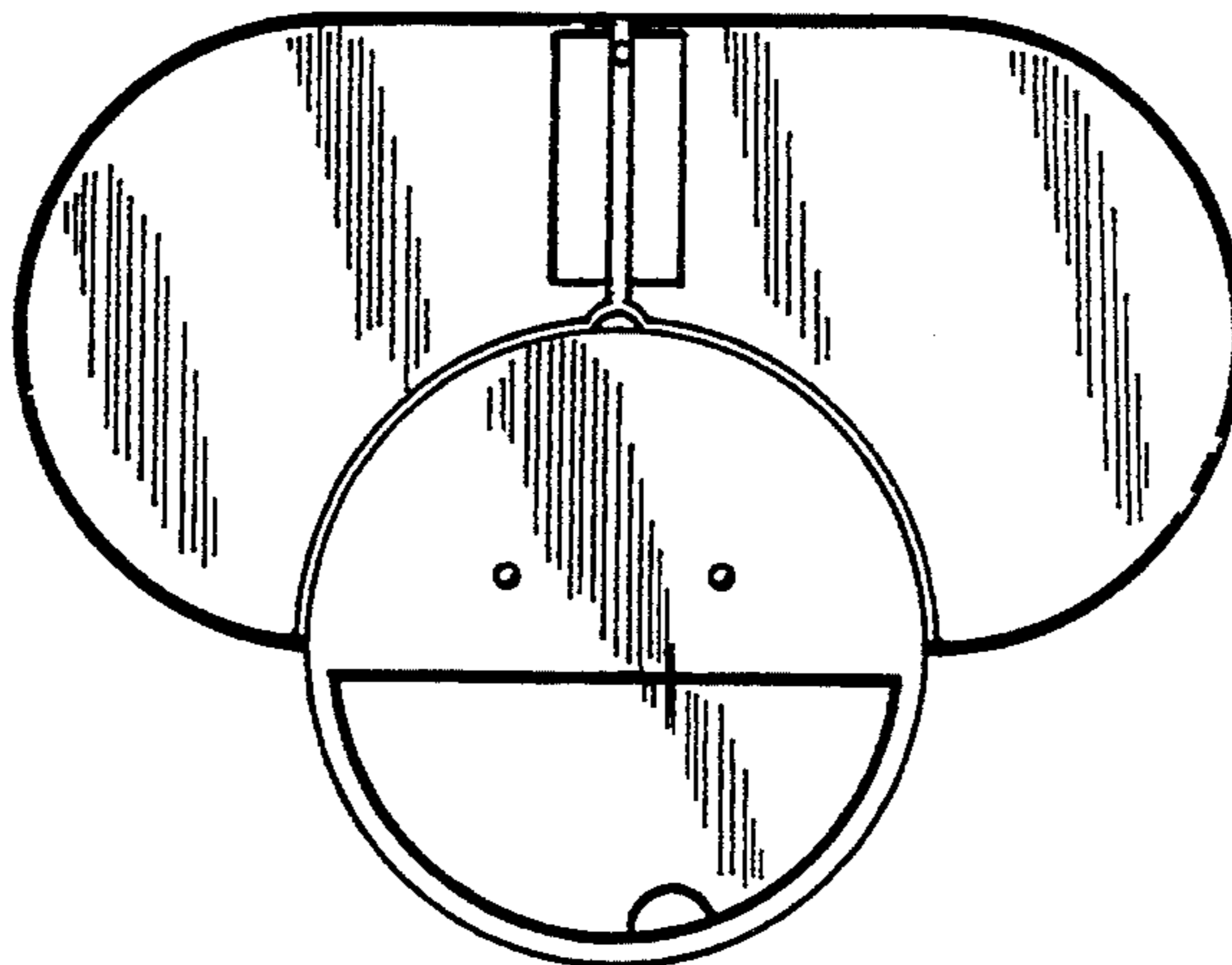
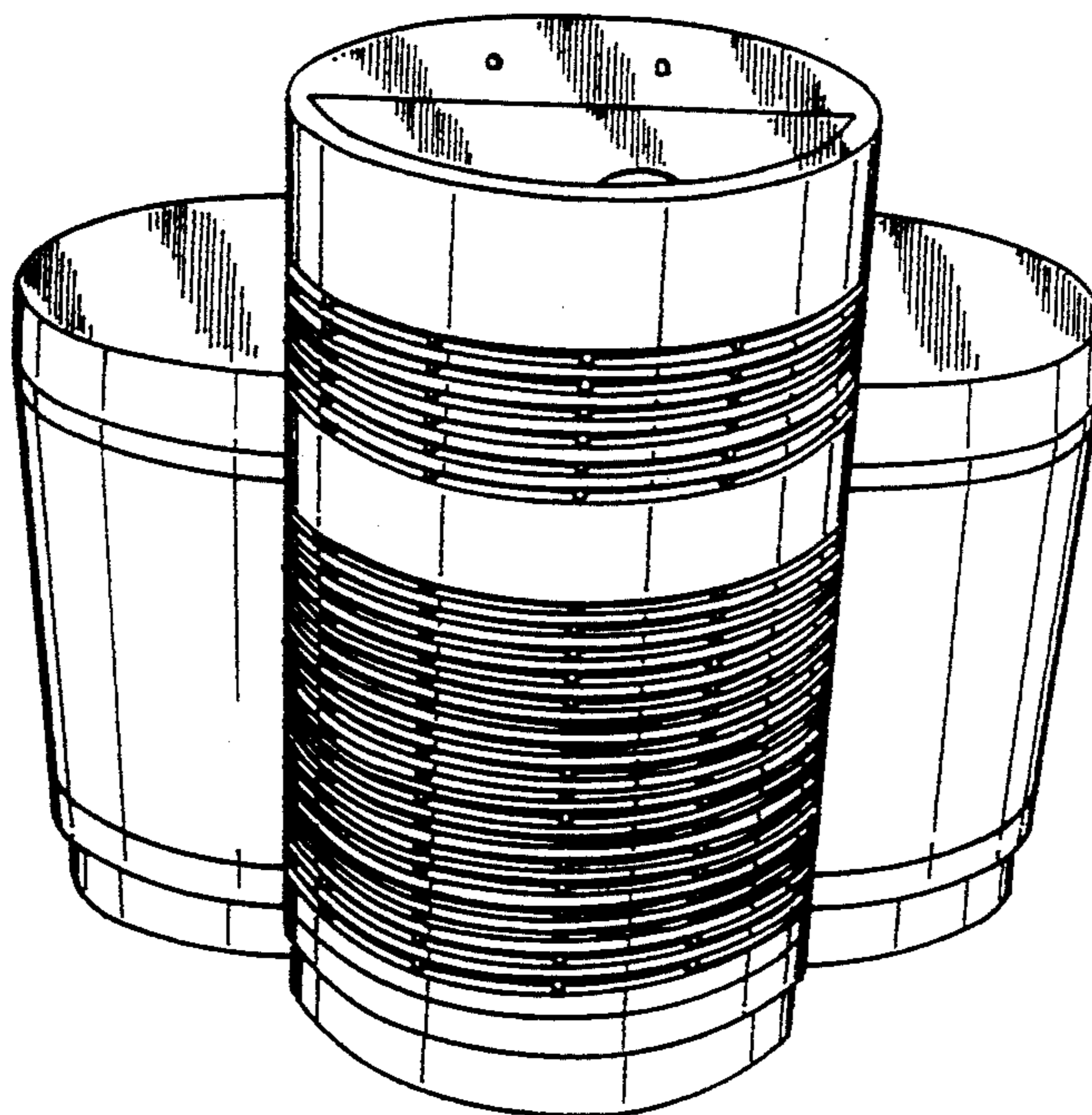
FIG. 3 is a right side elevational view thereof;

FIG. 4 is a rear elevational view thereof;

FIG. 5 is a left side elevational view thereof;

FIG. 6 is a top plan view thereof; and,

FIG. 7 is a bottom plan view thereof.



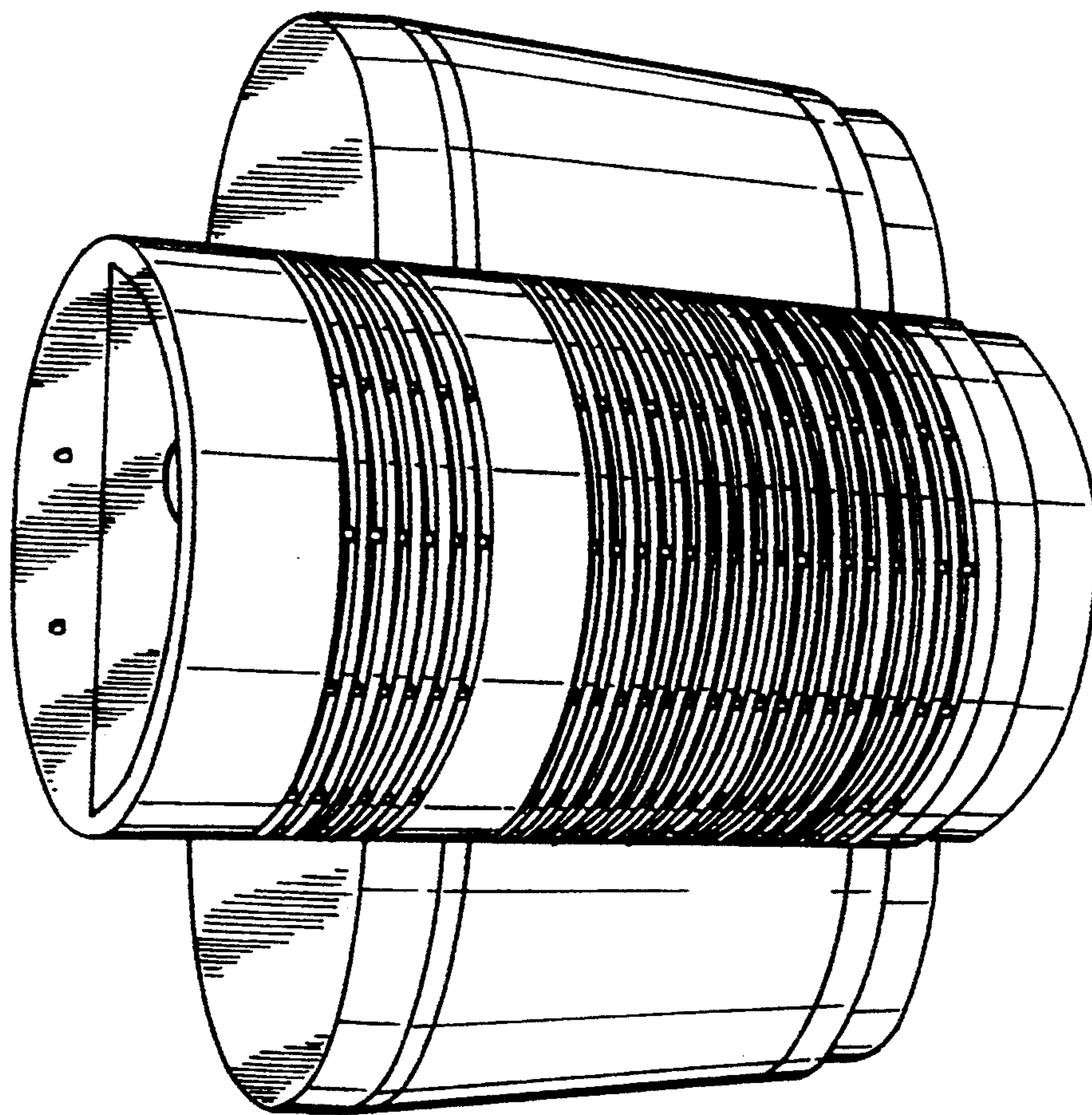


FIG. 1

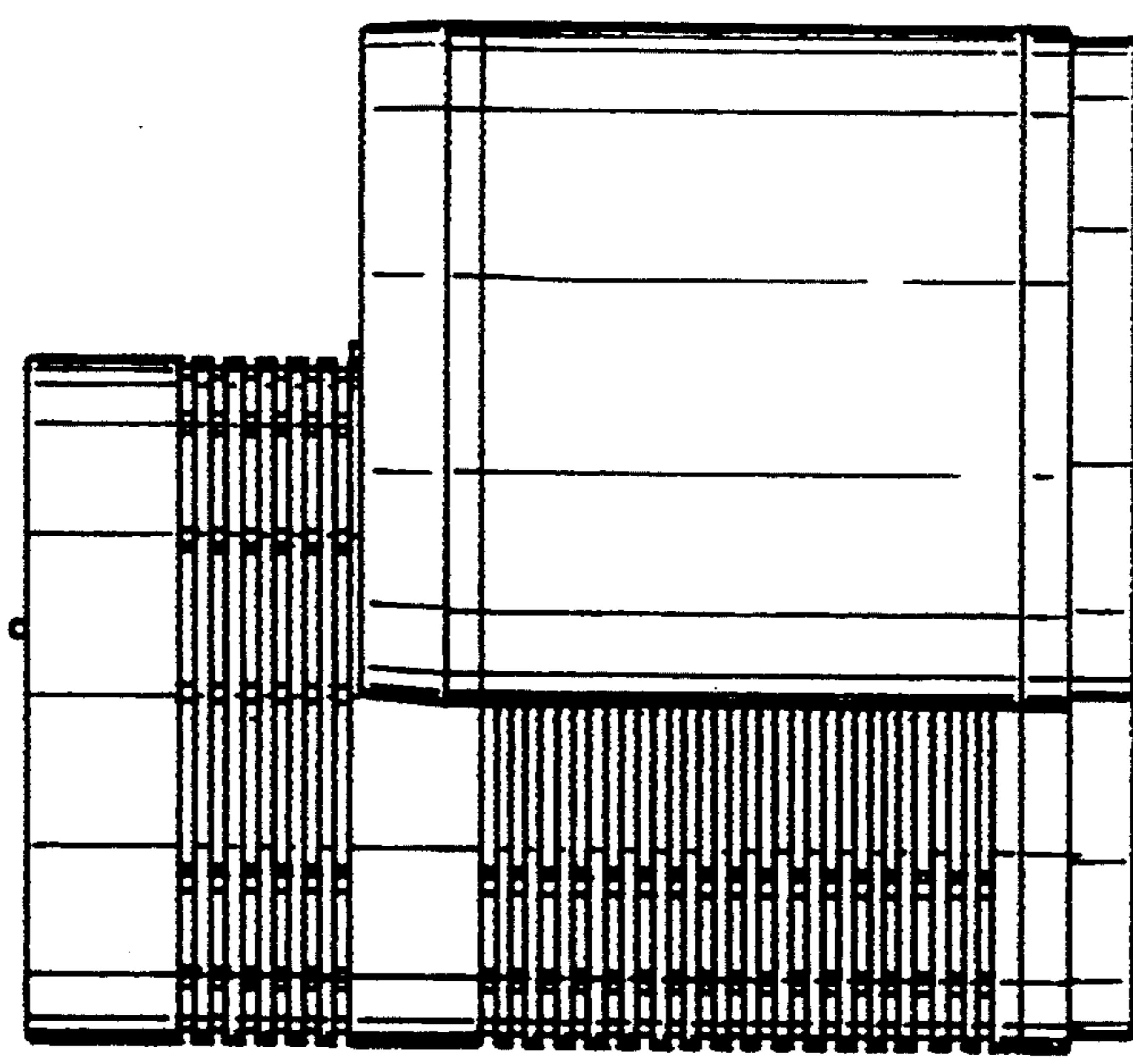


FIG. 3

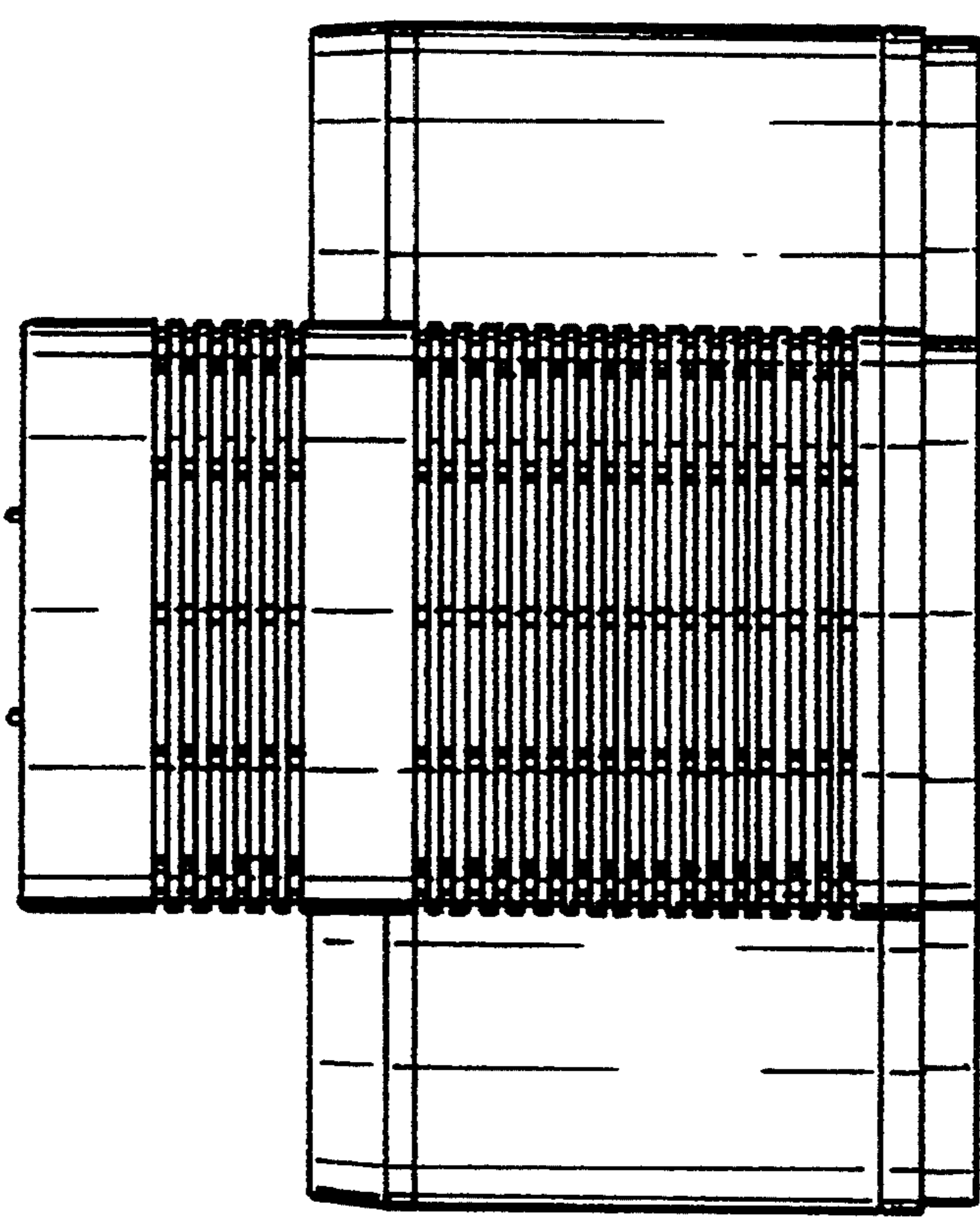


FIG. 2

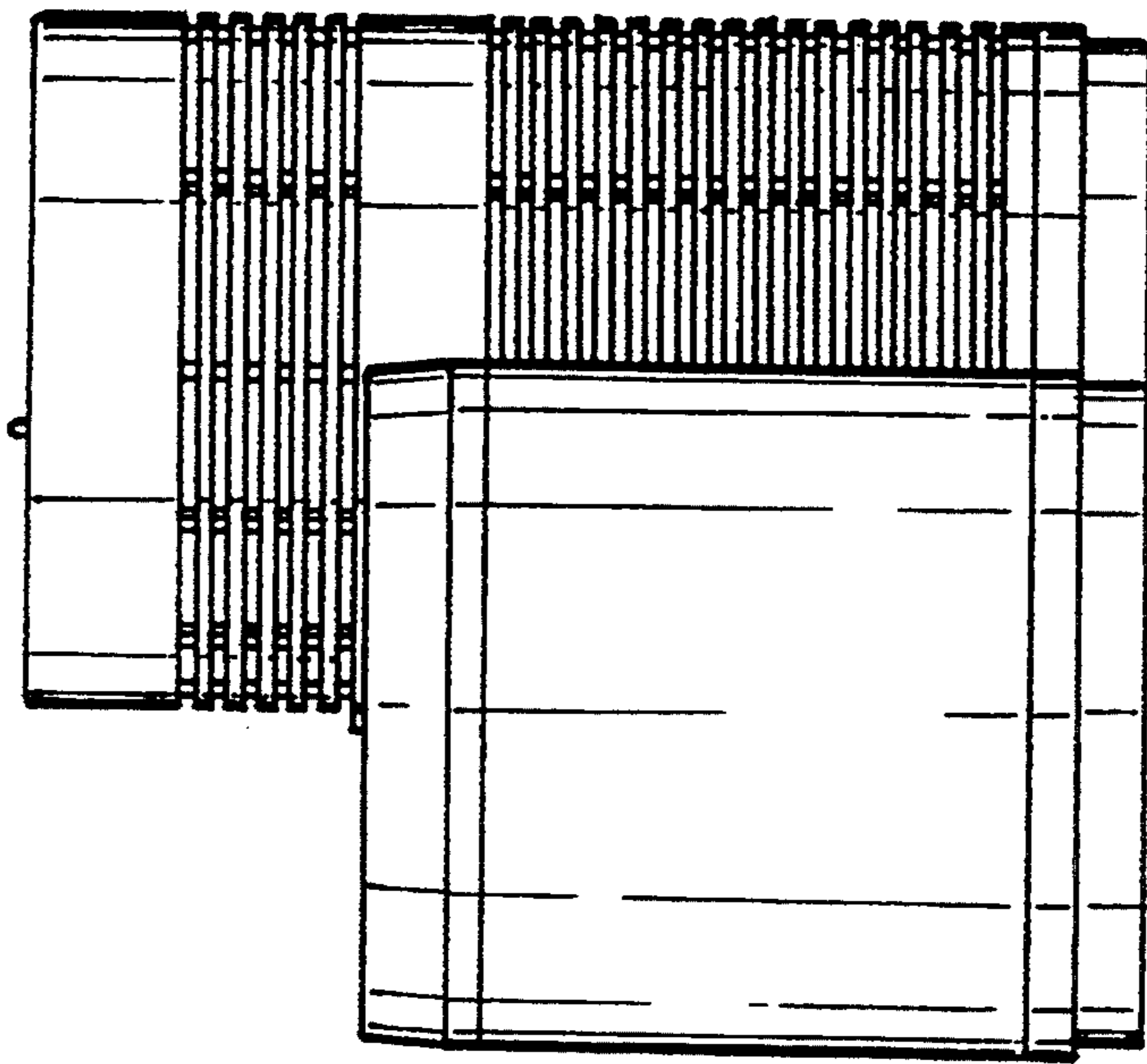


FIG. 5

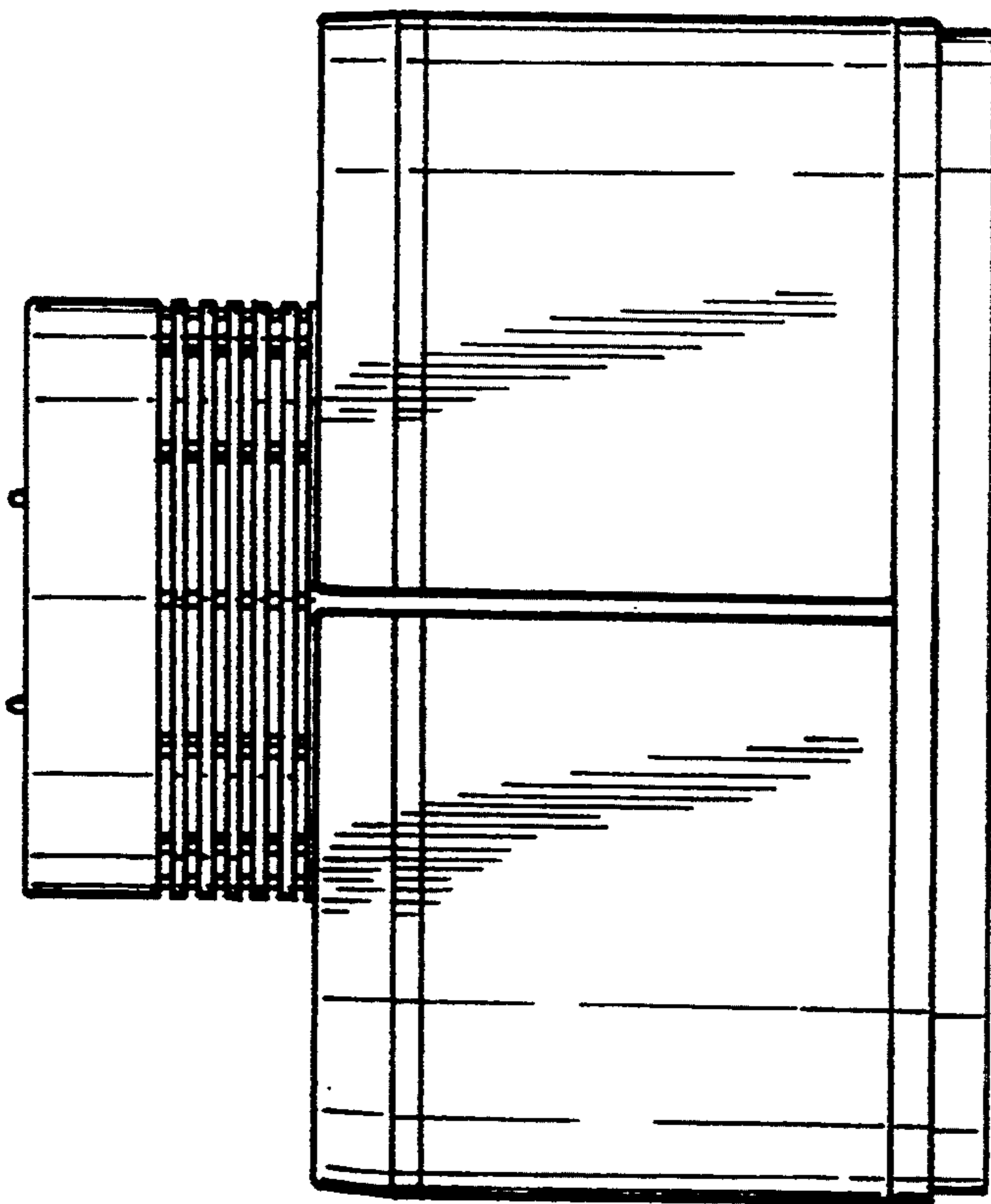


FIG. 4

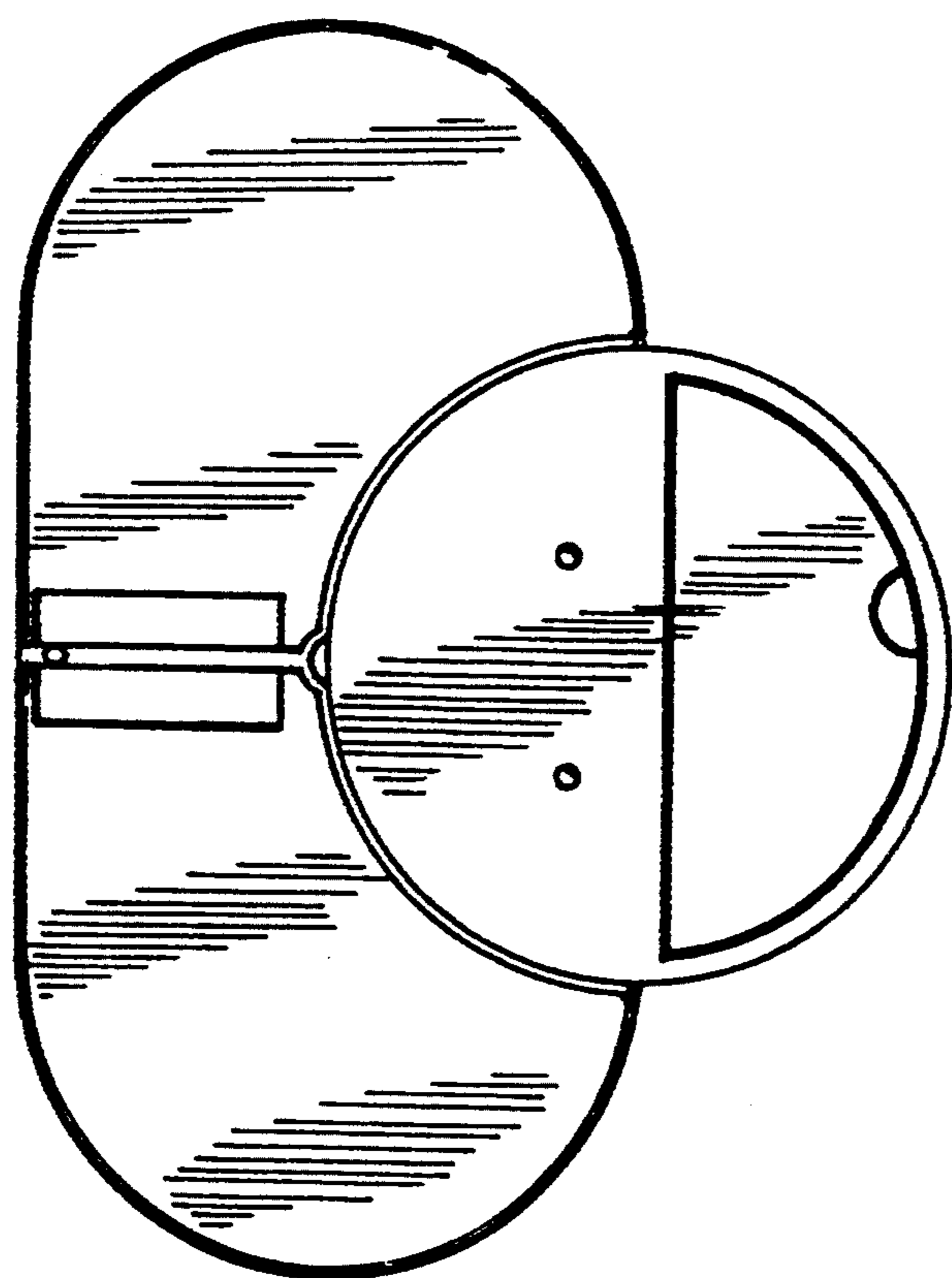


FIG. 6

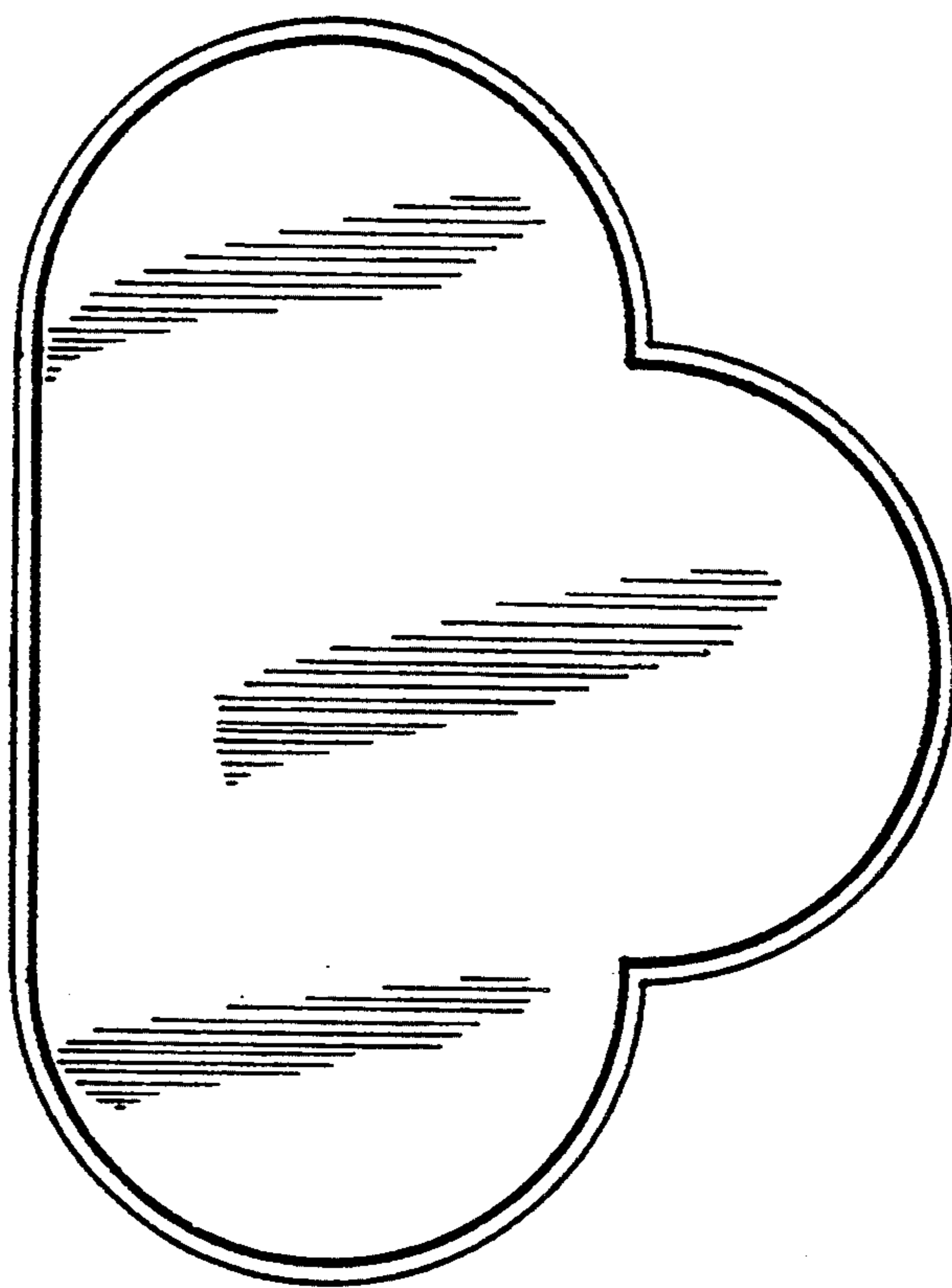


FIG. 7