



US00D358460S

# United States Patent [19]

Wren

[11] Patent Number: **Des. 358,460**

[45] Date of Patent: **\*\* May 16, 1995**

[54] **WATER FILTRATION SYSTEM**

5,075,002 12/1991 Thalmann et al. .... 210/257.2 X

[76] Inventor: **William A. Wren**, 1118 E. Balboa Blvd., Balboa, Calif. 92661

*Primary Examiner*—Louis S. Zarfes  
*Assistant Examiner*—Monica A. Hannon  
*Attorney, Agent, or Firm*—Macro-Search Corp.; Gene Scott

[\*\*] Term: **14 Years**

[21] Appl. No.: **18,433**

## [57] CLAIM

[22] Filed: **Feb. 7, 1994**

The ornamental design for a water filtration system, as shown and described.

[52] U.S. Cl. .... **D23/209; D23/207**

[58] Field of Search ..... **D23/200-213; 202/202; D32/10, 11; 210/85, 86, 97, 139, 169, 180, 193, 198.1, 200, 205, 206, 209, 212, 222, 223, 231, 242.1, 243, 244, 245, 246, 257.1, 257.2, 258, 260, 445, 446, 448, 449, 541, DIG. 4, DIG. 17, 121, 136, 256, 668, 791; 222/54, 174, 310, 372, 383, 384, 385, 465.1, 466, 458, 478, 481, 565, 567, 571, 572, 573**

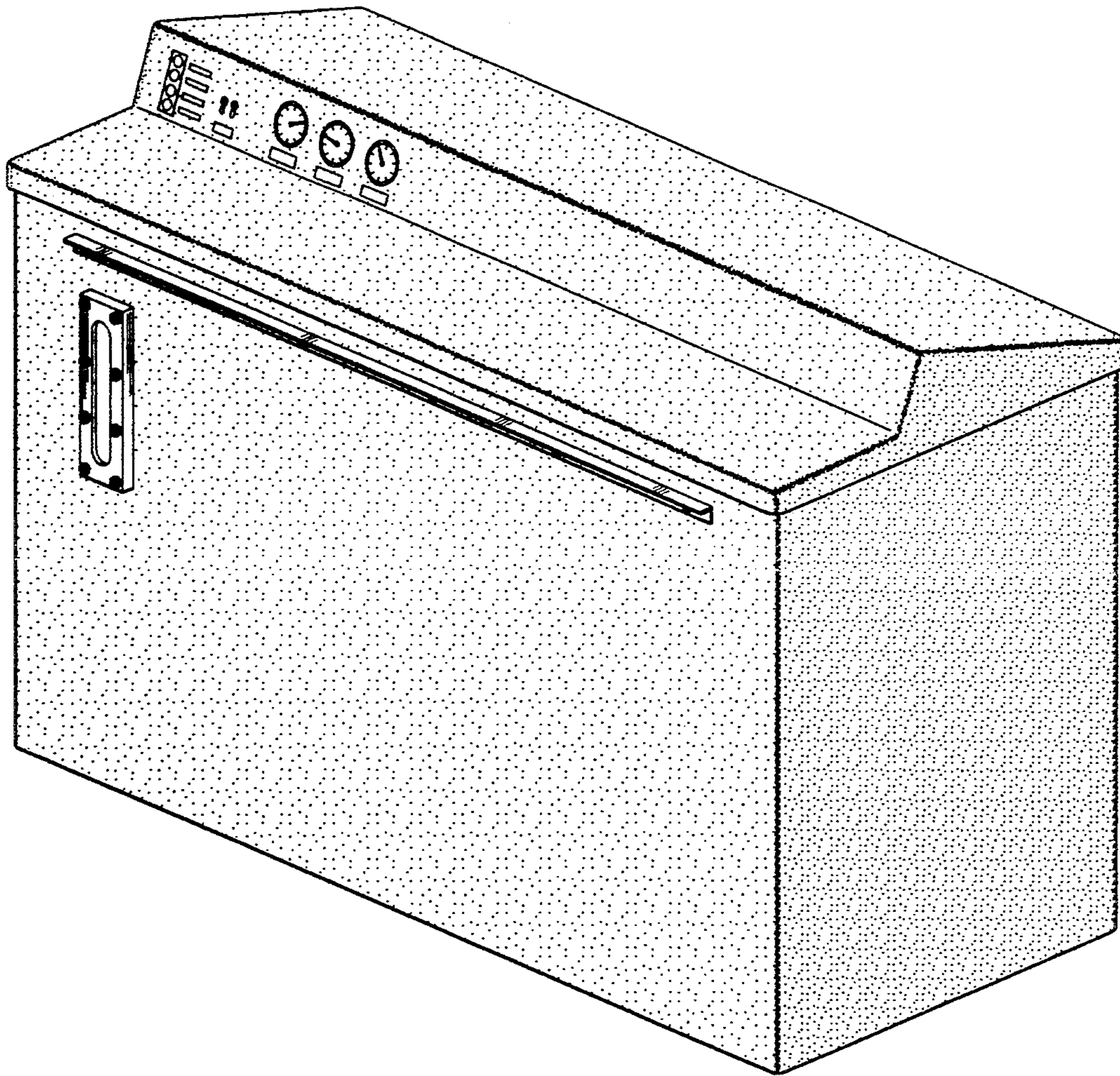
## DESCRIPTION

FIG. 1 is a perspective view of a water filtration system, showing my new design with a lid in a lowered position; FIG. 2 is a partial front elevational view thereof, showing the lid in a slightly raised position; FIG. 3 is a partial left-side elevational view thereof, the partial right-side elevational view being a mirror image thereof; FIG. 4 is a front elevational view thereof; FIG. 5 is a rear elevational view thereof; FIG. 6 is a right-side elevation view thereof; FIG. 7 is a left-side elevational view thereof; FIG. 8 is a top plan view thereof; and, FIG. 9 is a bottom plan view thereof.

## [56] References Cited

### U.S. PATENT DOCUMENTS

D. 297,968 10/1988 Norman et al. .... D23/200  
3,073,674 1/1963 Rüdlick ..... 210/140 X  
4,976,851 12/1990 Tanokura et al. .... 210/86



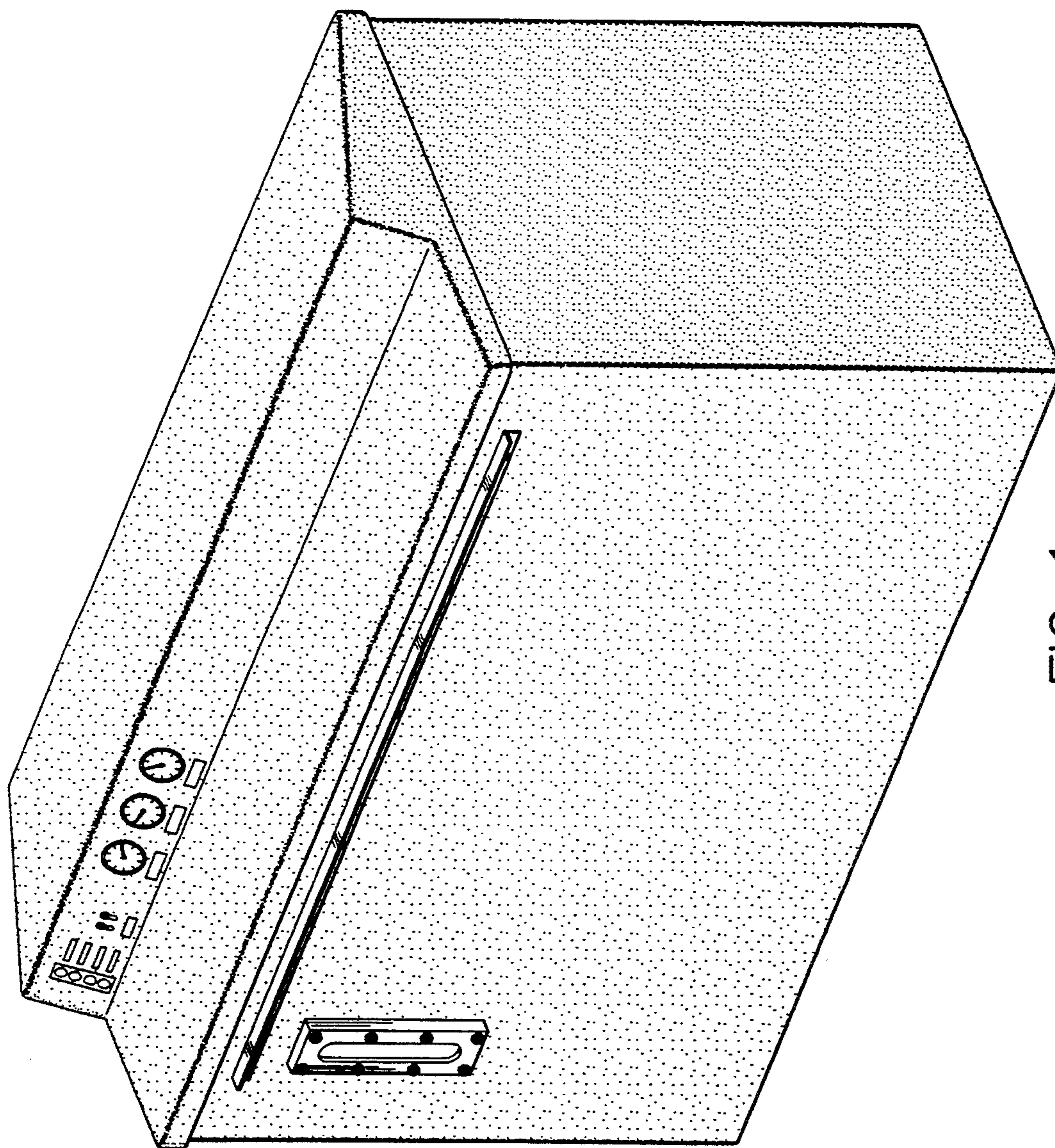


FIG 1

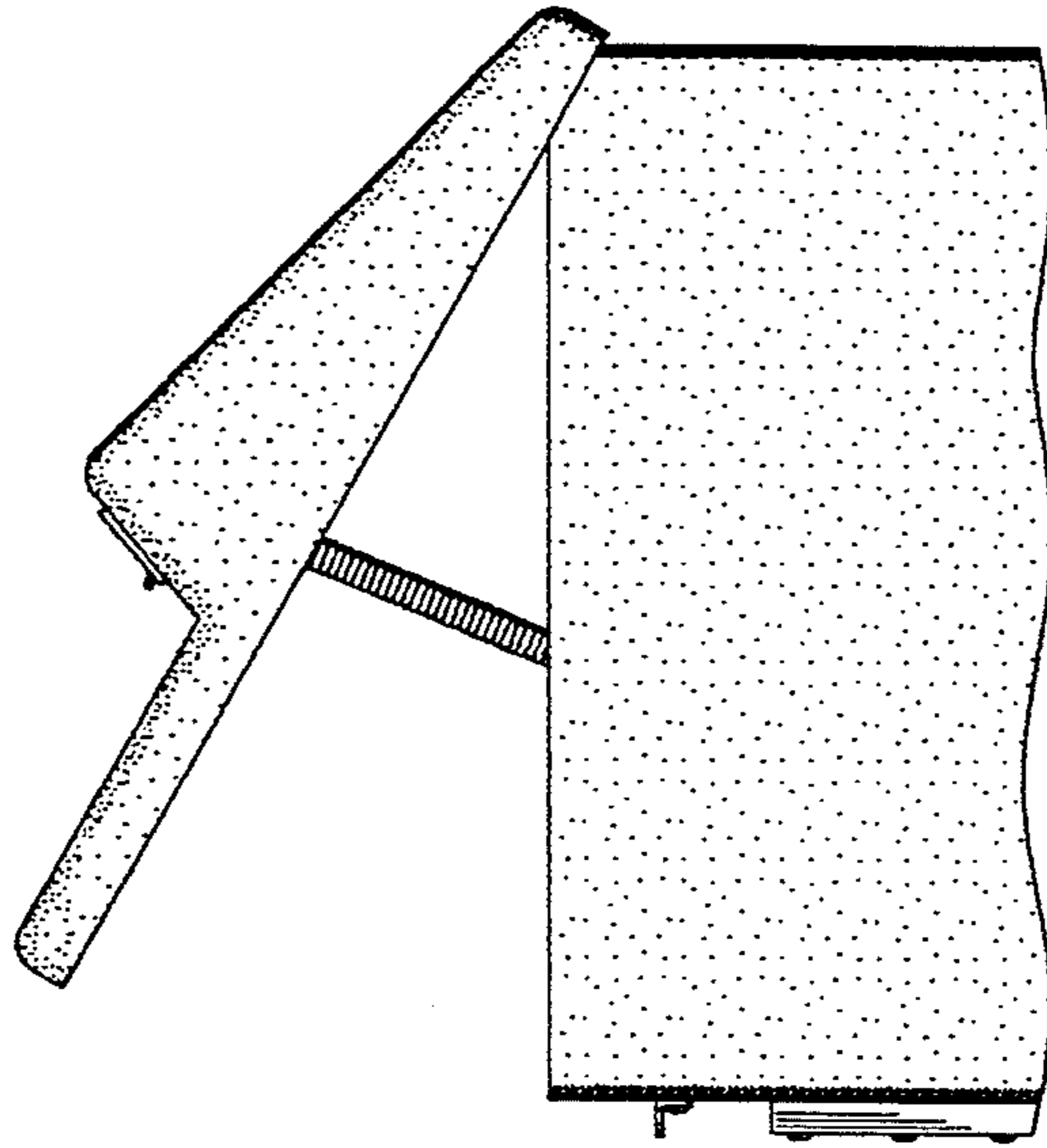


FIG 3

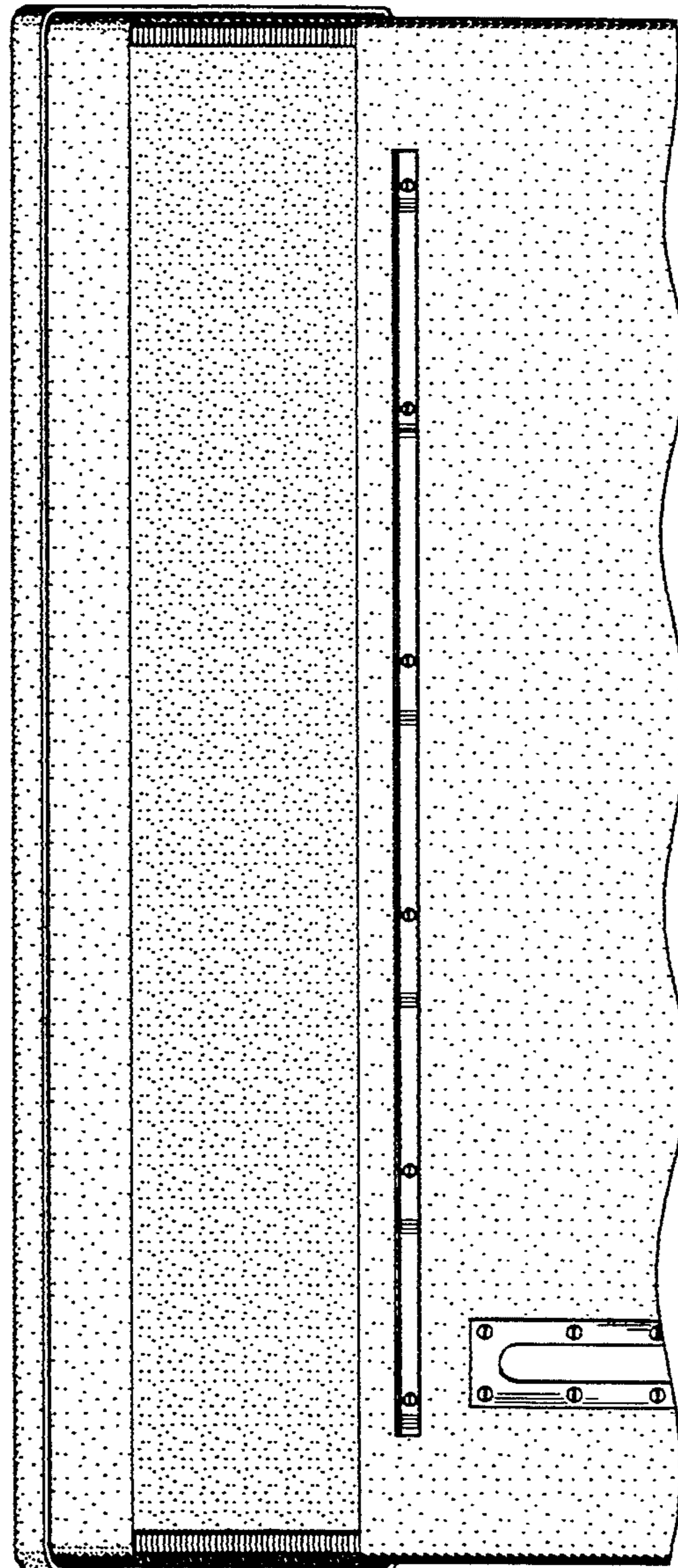


FIG 2

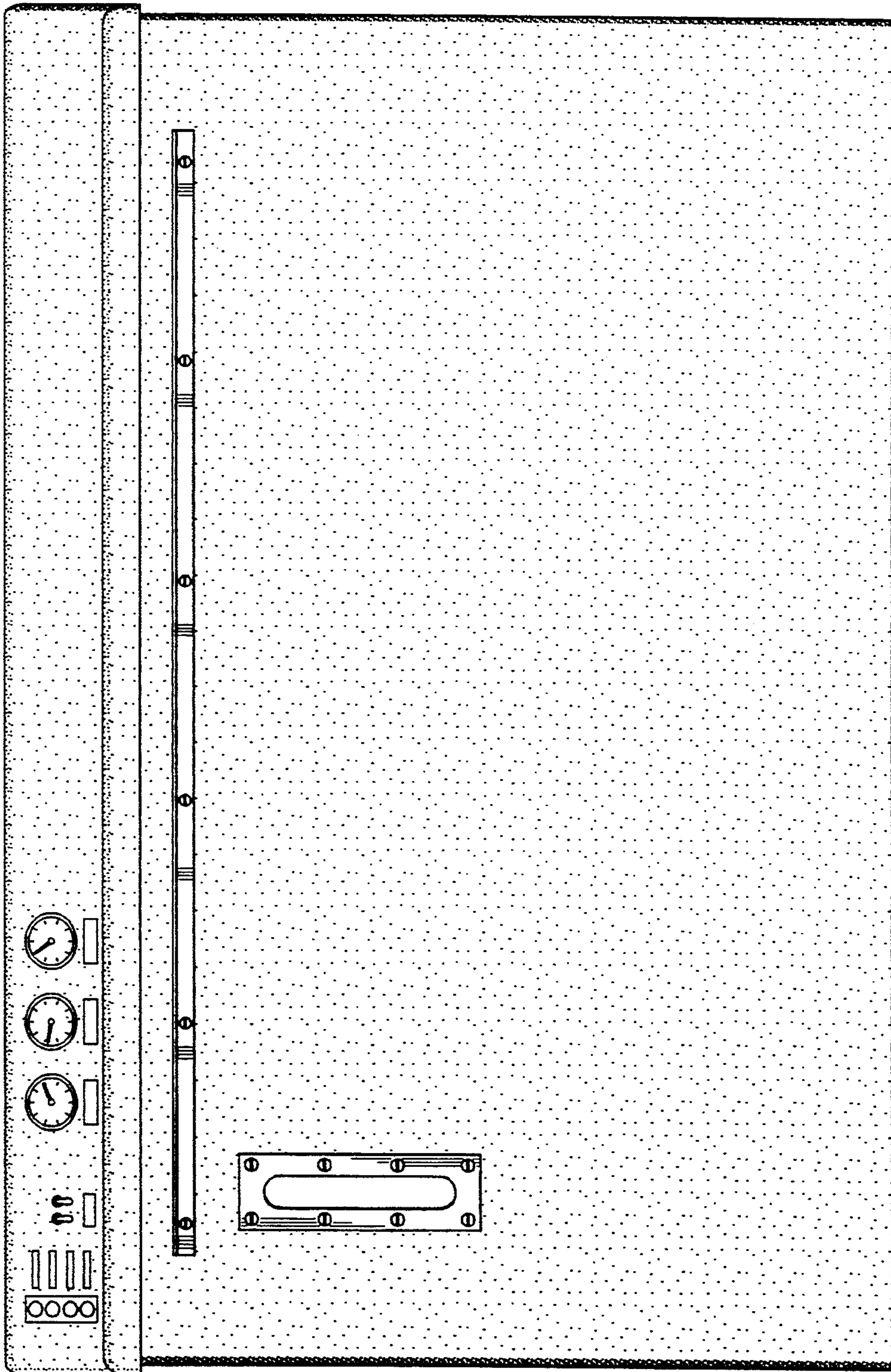


FIG 4

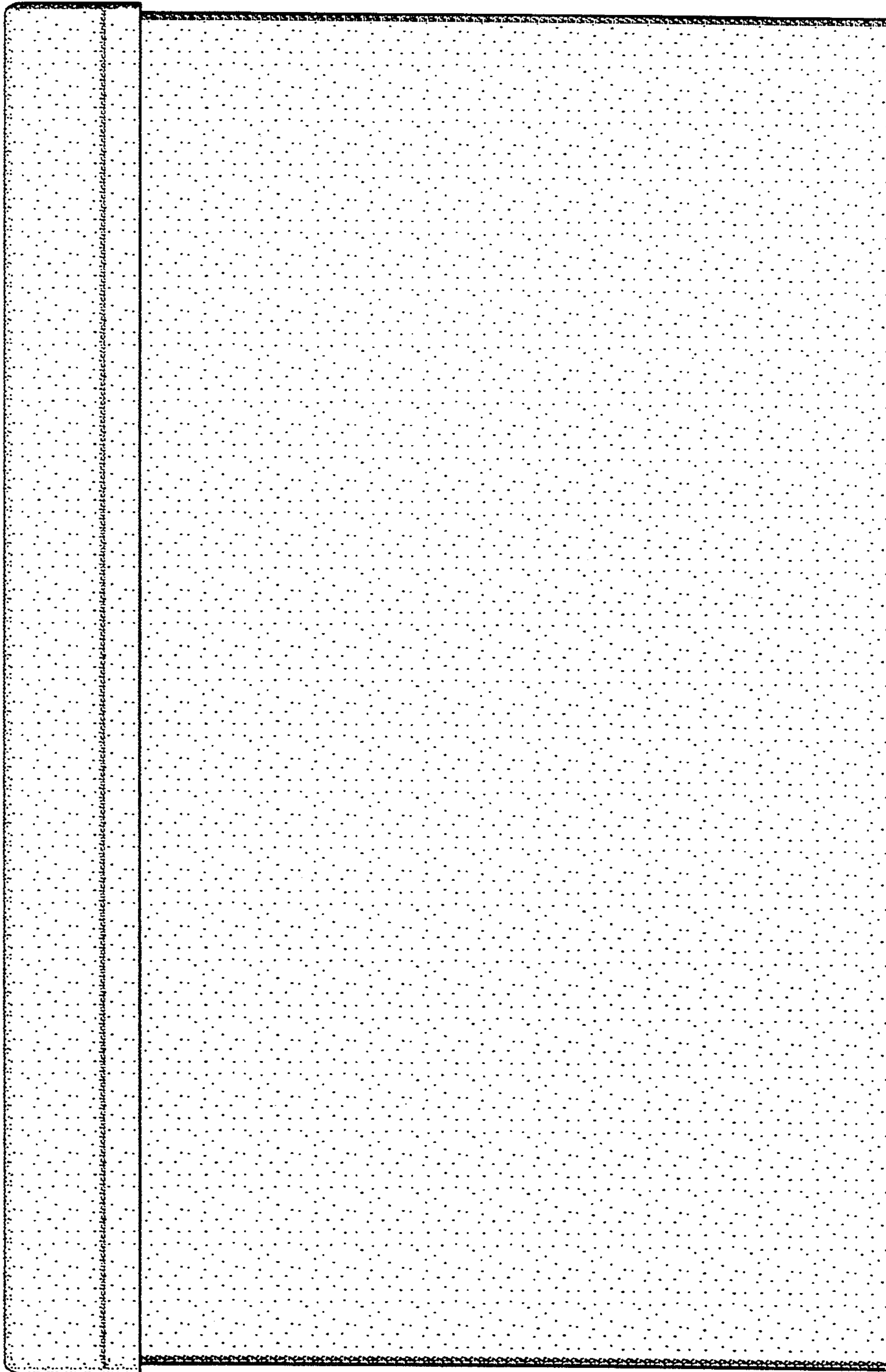


FIG 5

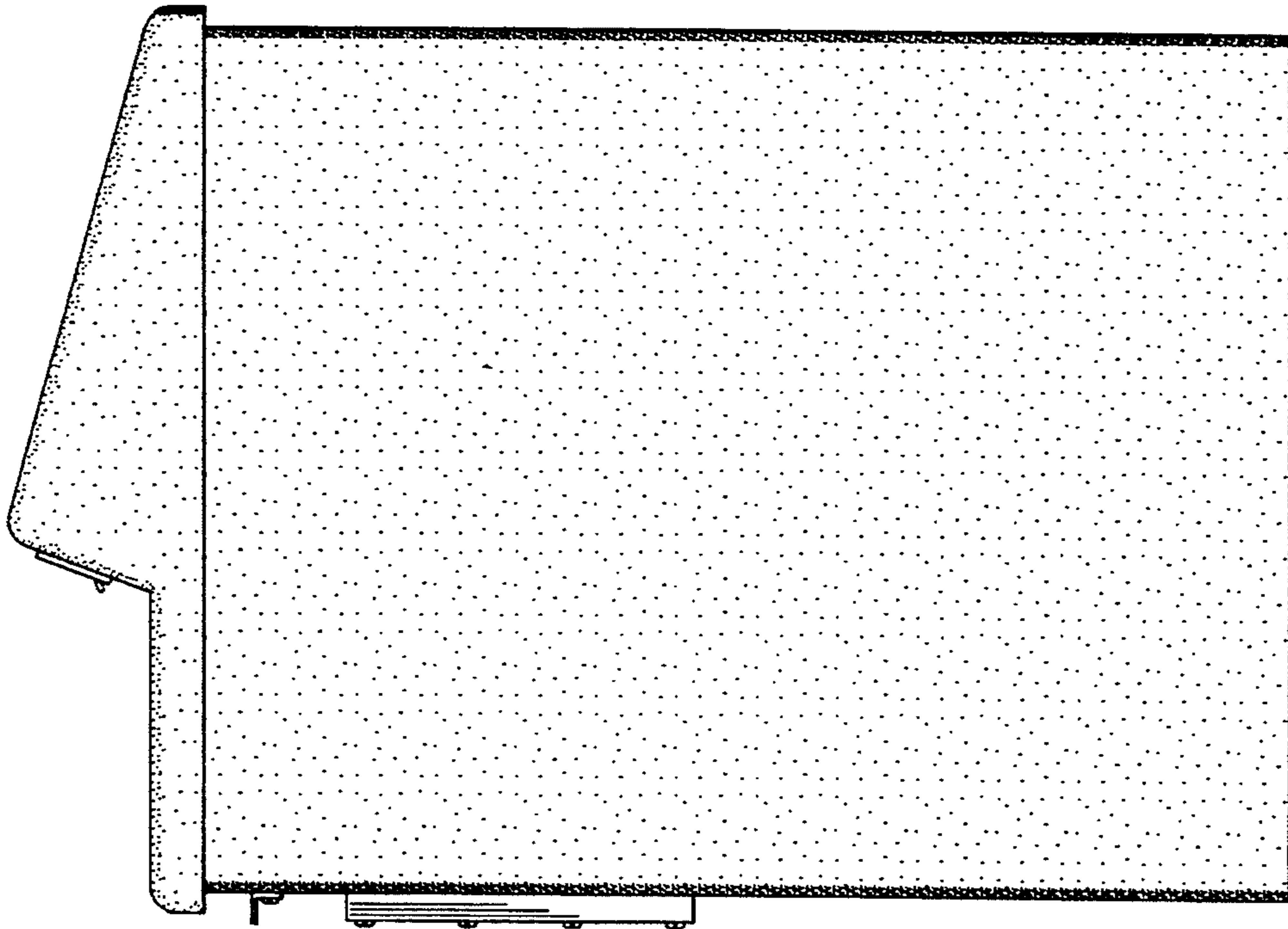


FIG 7

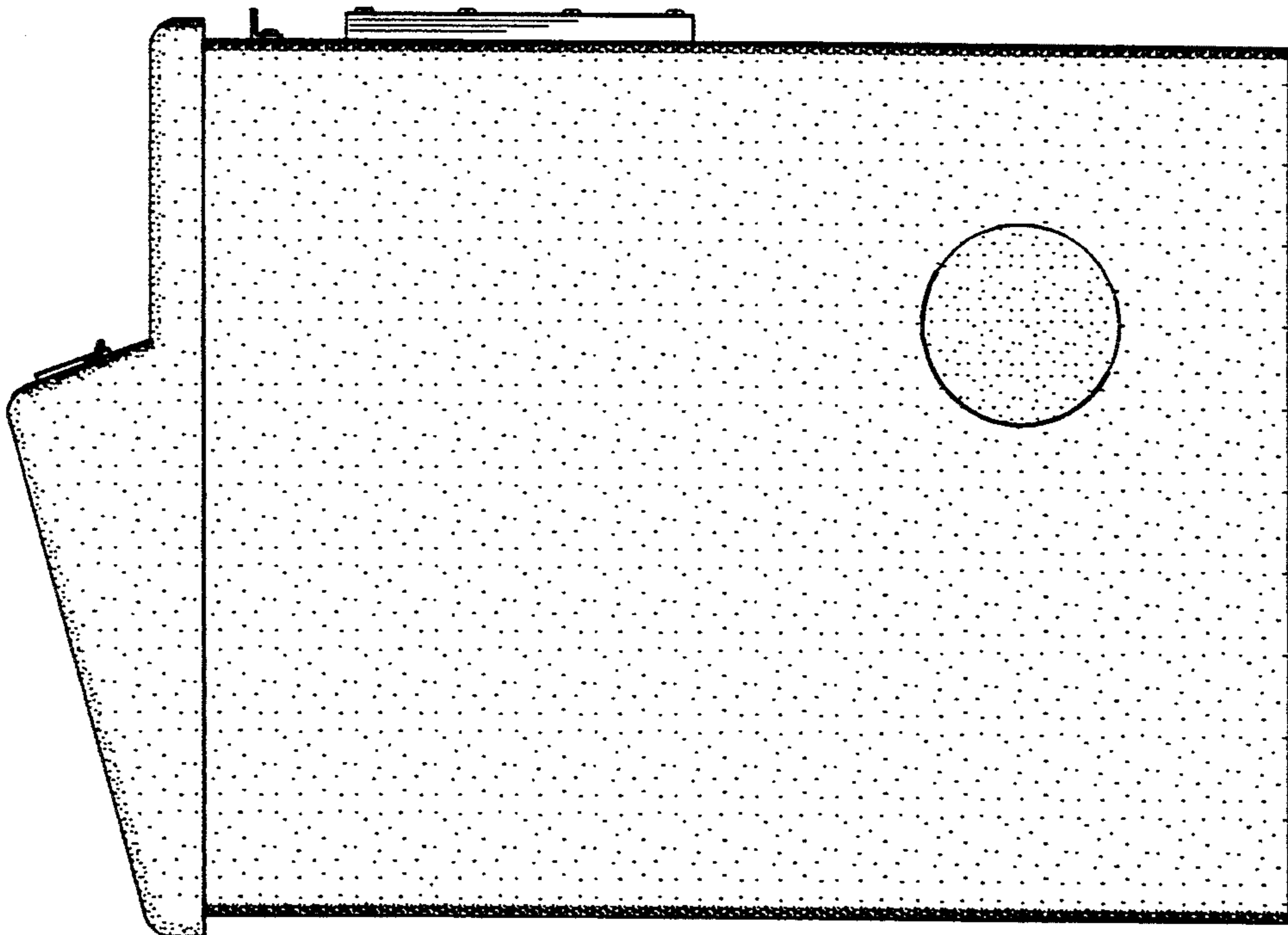


FIG 6

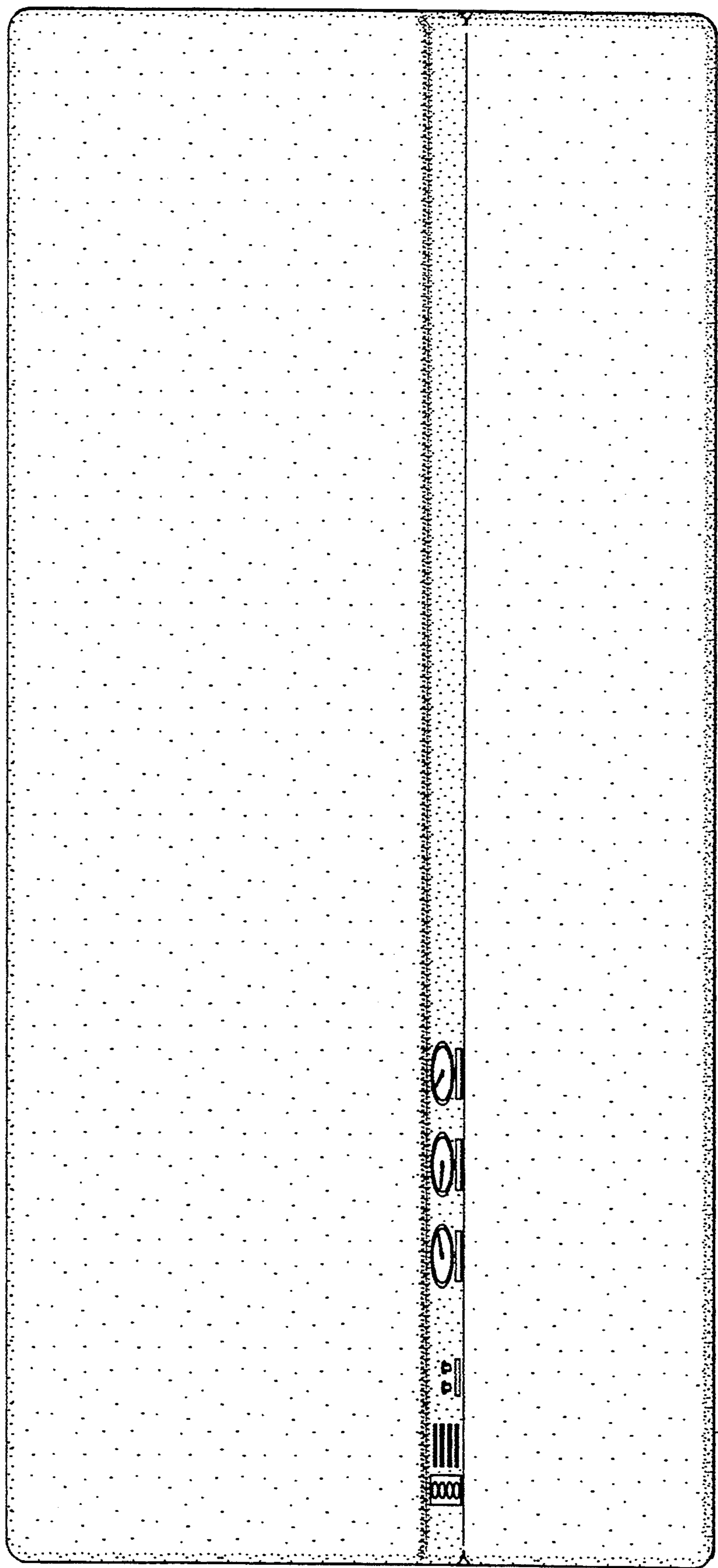


FIG 8

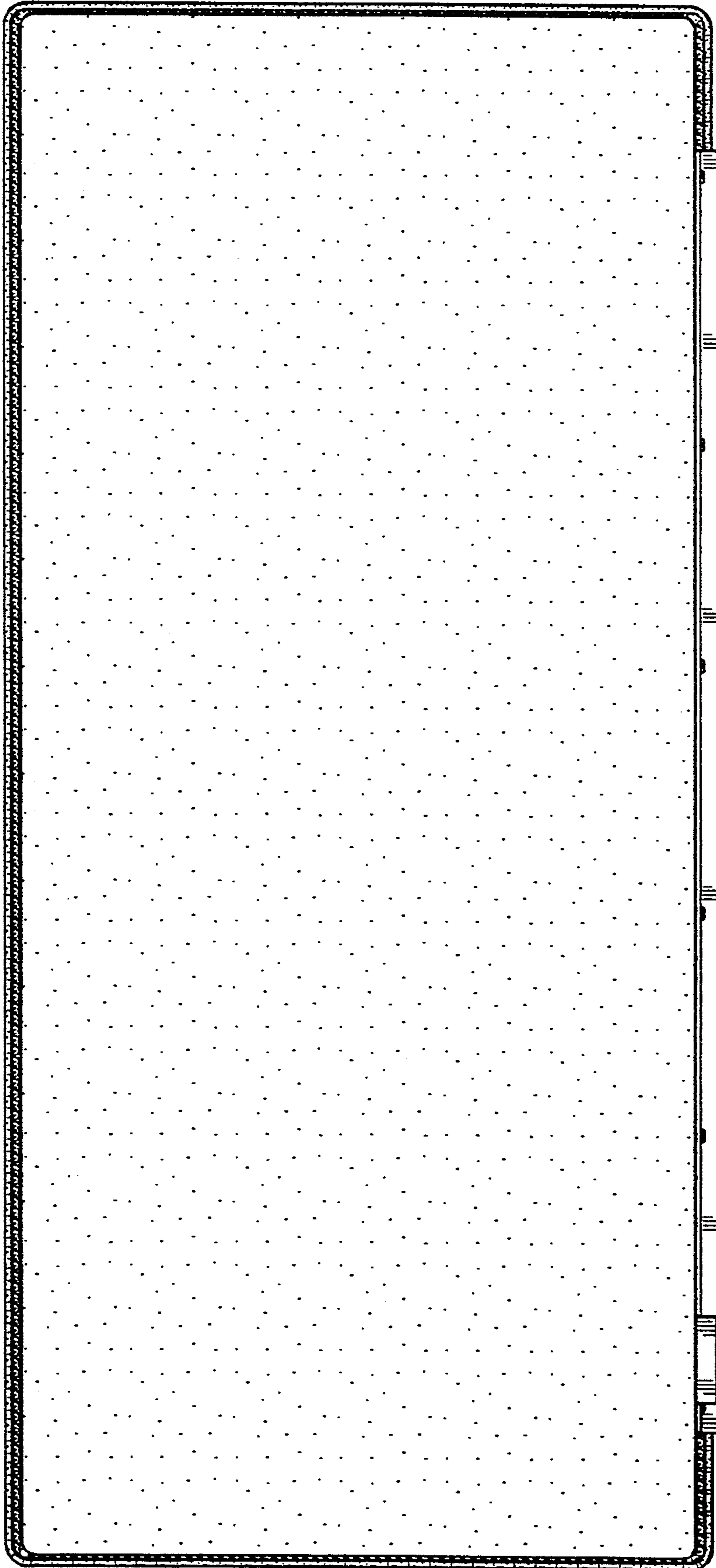


FIG 9