



US00D358459S

# United States Patent [19]

[11] Patent Number: **Des. 358,459**

**Kiwarkis**

[45] Date of Patent: **\*\* May 16, 1995**

- [54] **PORTABLE COLLAPSIBLE CAMPER'S TOILET**
- [76] Inventor: **Gaby Kiwarkis**, 31 Normanby Street, Fairfield N.S.W. 2165, Australia
- [\*\*] Term: **14 Years**
- [21] Appl. No.: **17,048**
- [22] Filed: **Jan. 4, 1994**
- [52] U.S. Cl. .... **D23/309**
- [58] Field of Search ..... **D23/309, 310, 311; D6/353, 368, 349; 4/479-484, 460**

1,306,041 6/1919 Wittmann ..... 4/460

*Primary Examiner*—Stella Reid  
*Assistant Examiner*—E. Watterson  
*Attorney, Agent, or Firm*—H. Jay Spiegel

[57] **CLAIM**

The ornamental design for a portable collapsible camper's toilet, as shown and described.

**DESCRIPTION**

FIG. 1 shows a front perspective view of the present invention;  
 FIG. 2 shows a side view of the present invention;  
 FIG. 3 shows the other side view of the present invention;  
 FIG. 4 shows a rear view of the present invention;  
 FIG. 5 shows a top view of the present invention; and,  
 FIG. 6 shows a front view of the present invention.

[56] **References Cited**  
**U.S. PATENT DOCUMENTS**

223,574	1/1880	Baker	.....	4/483
405,725	6/1889	Truesdell	.....	4/483 X
857,914	6/1907	Weber	.....	4/483 X

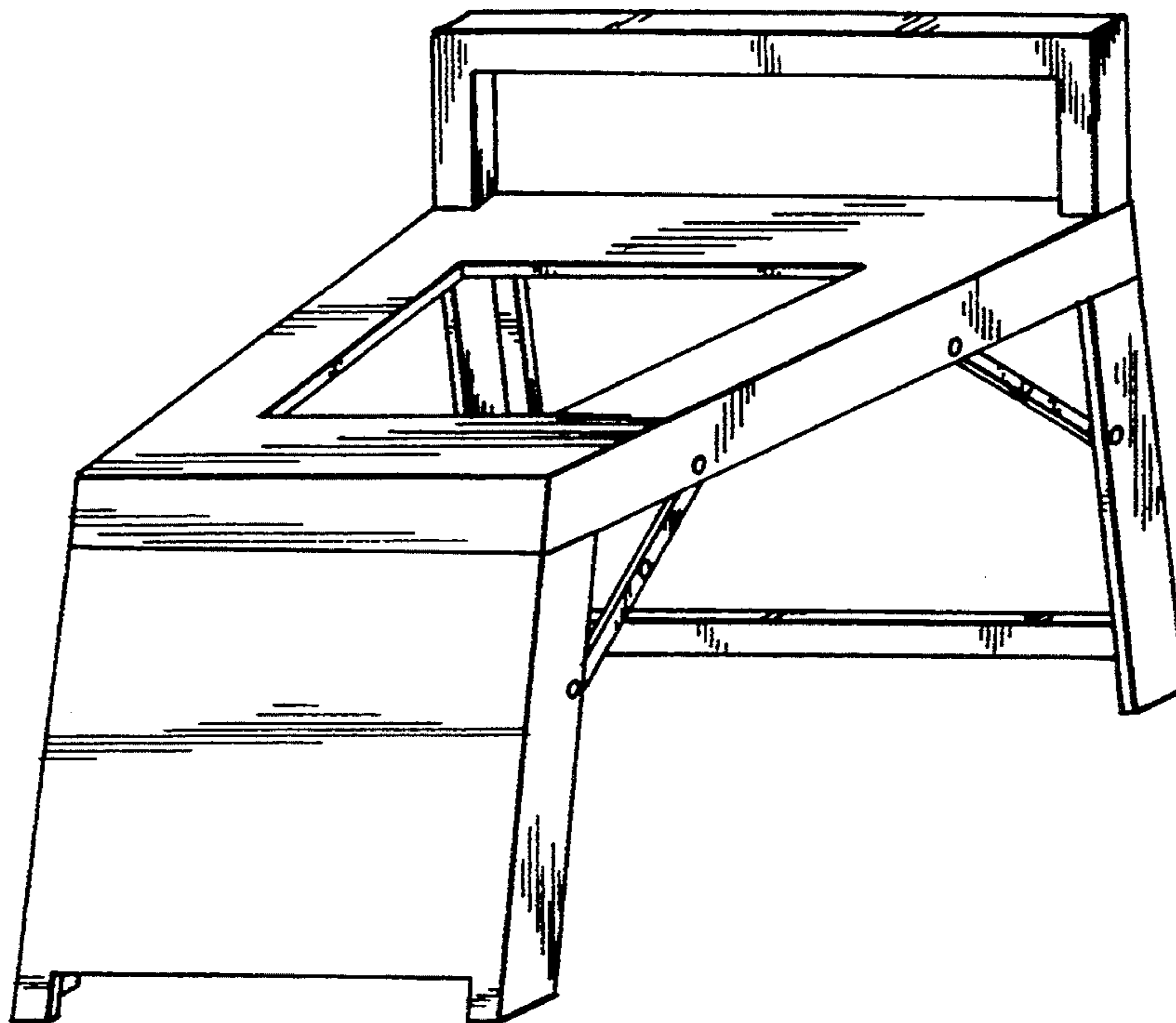


FIG. 1

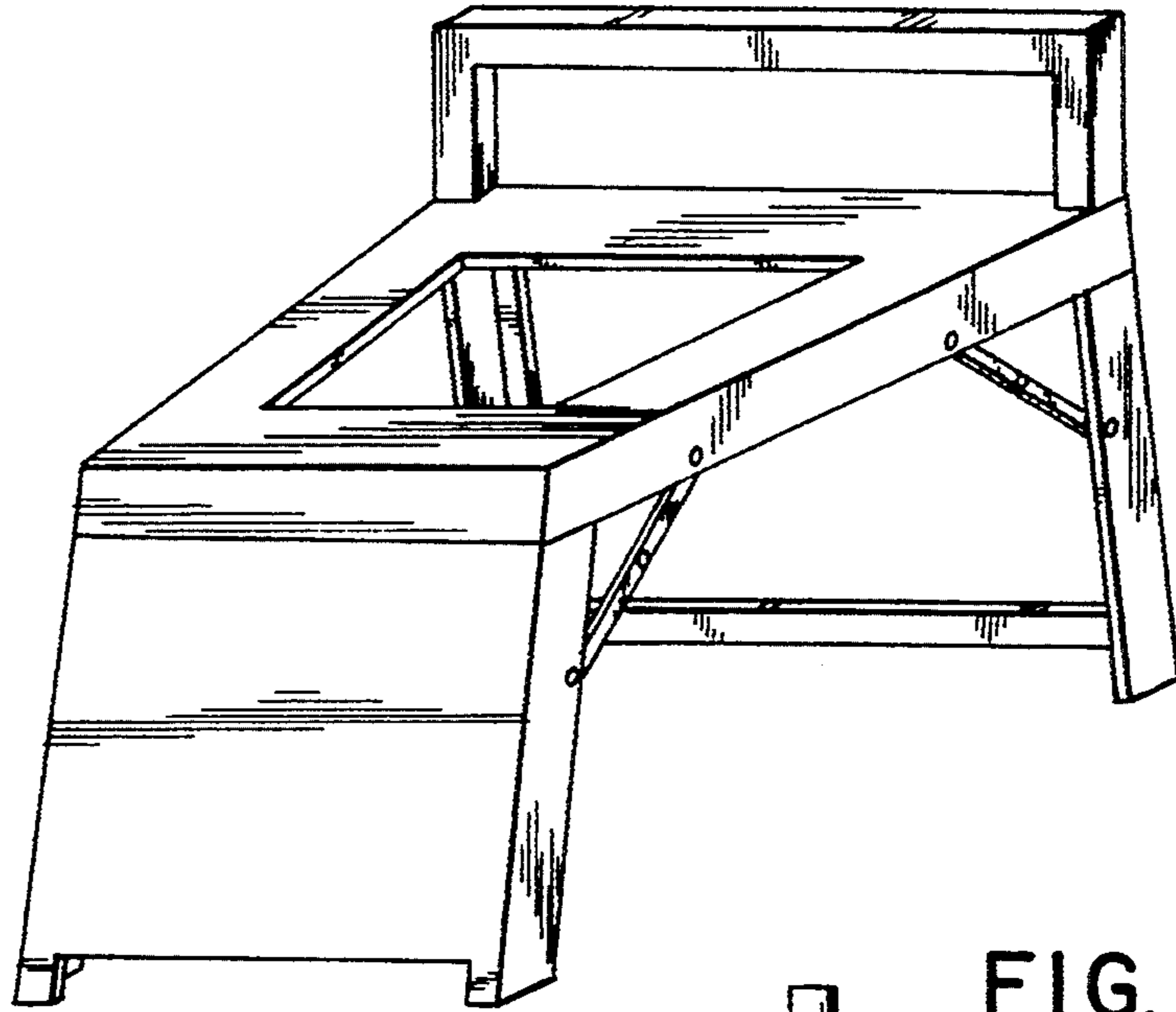


FIG. 2

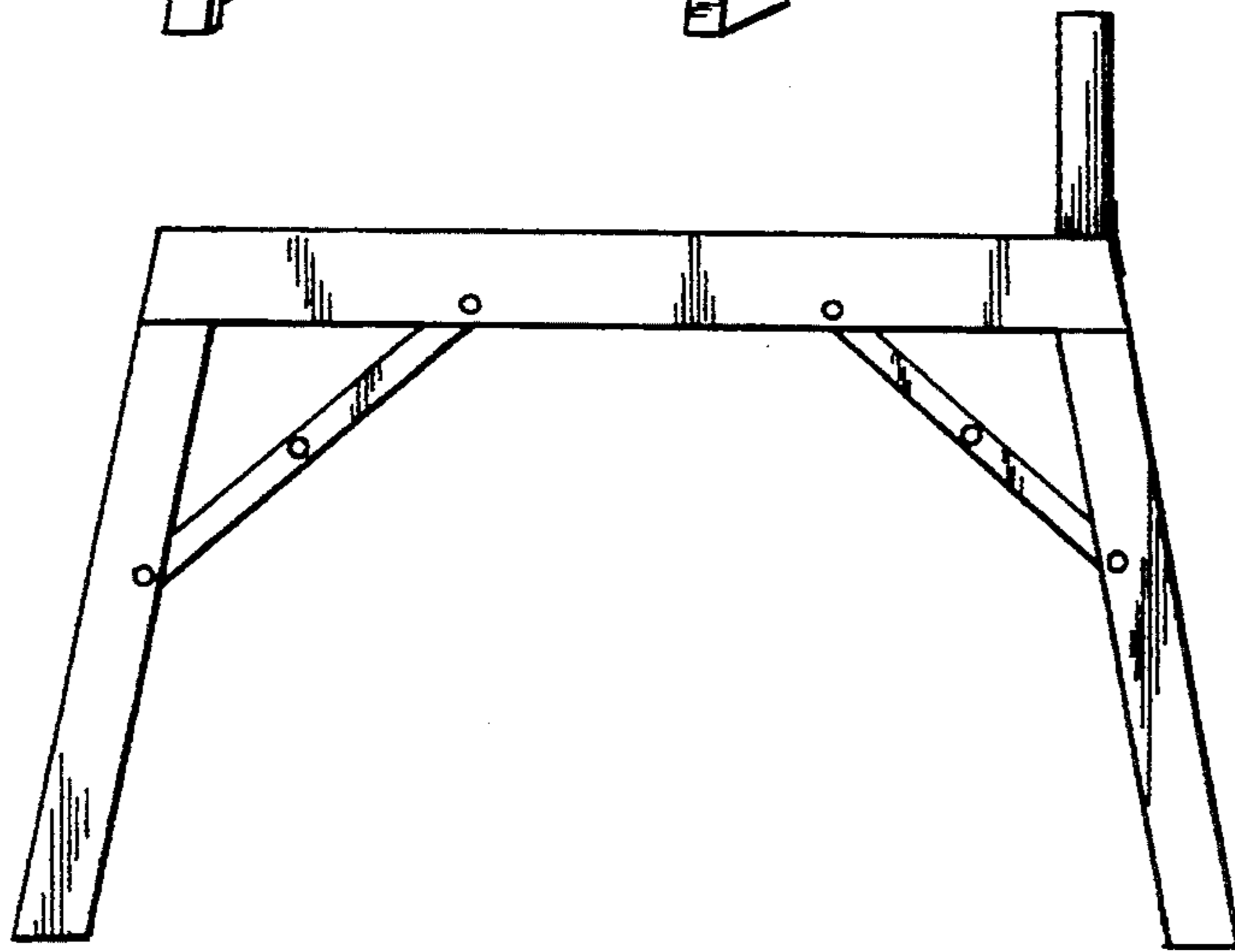


FIG. 3

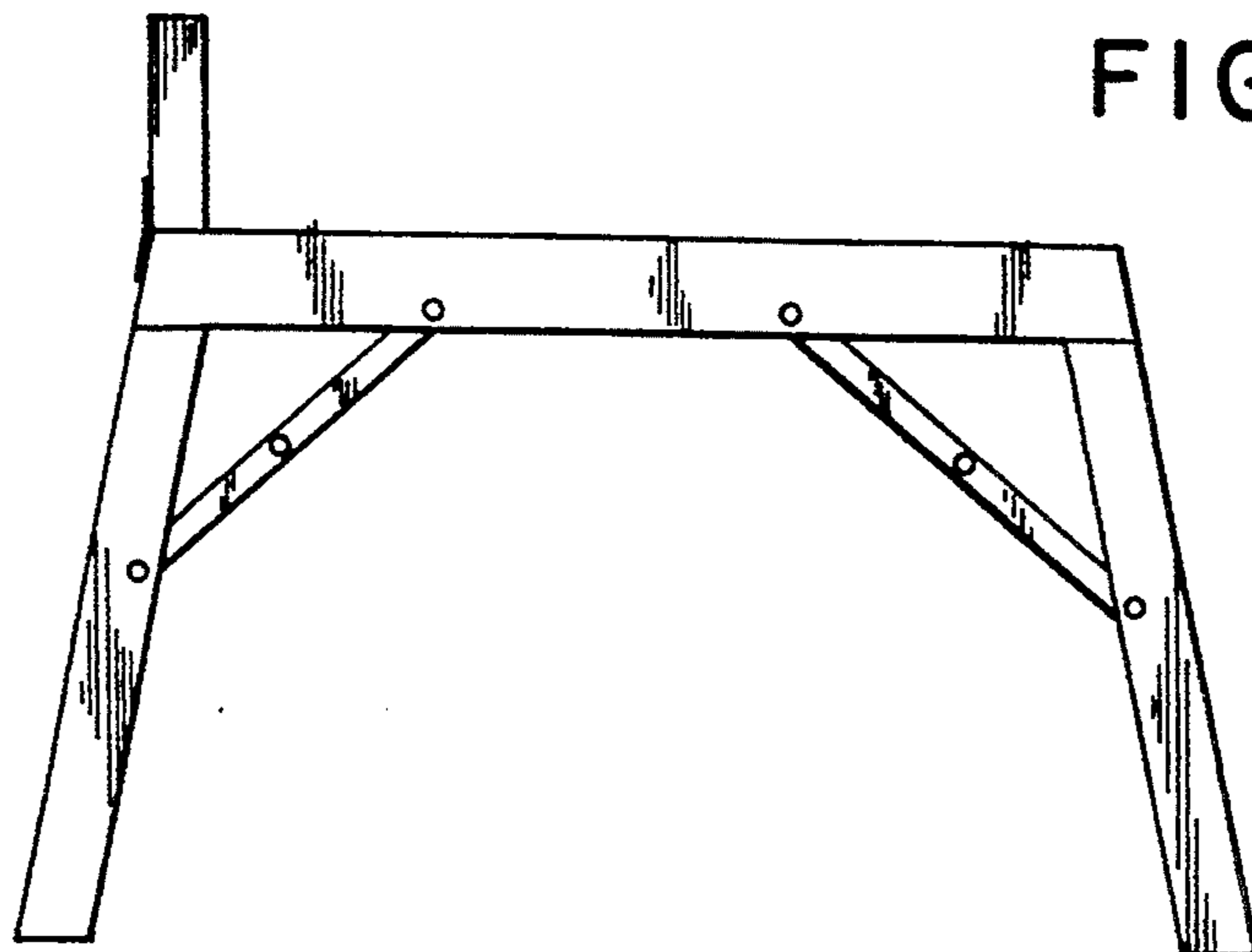


FIG. 4

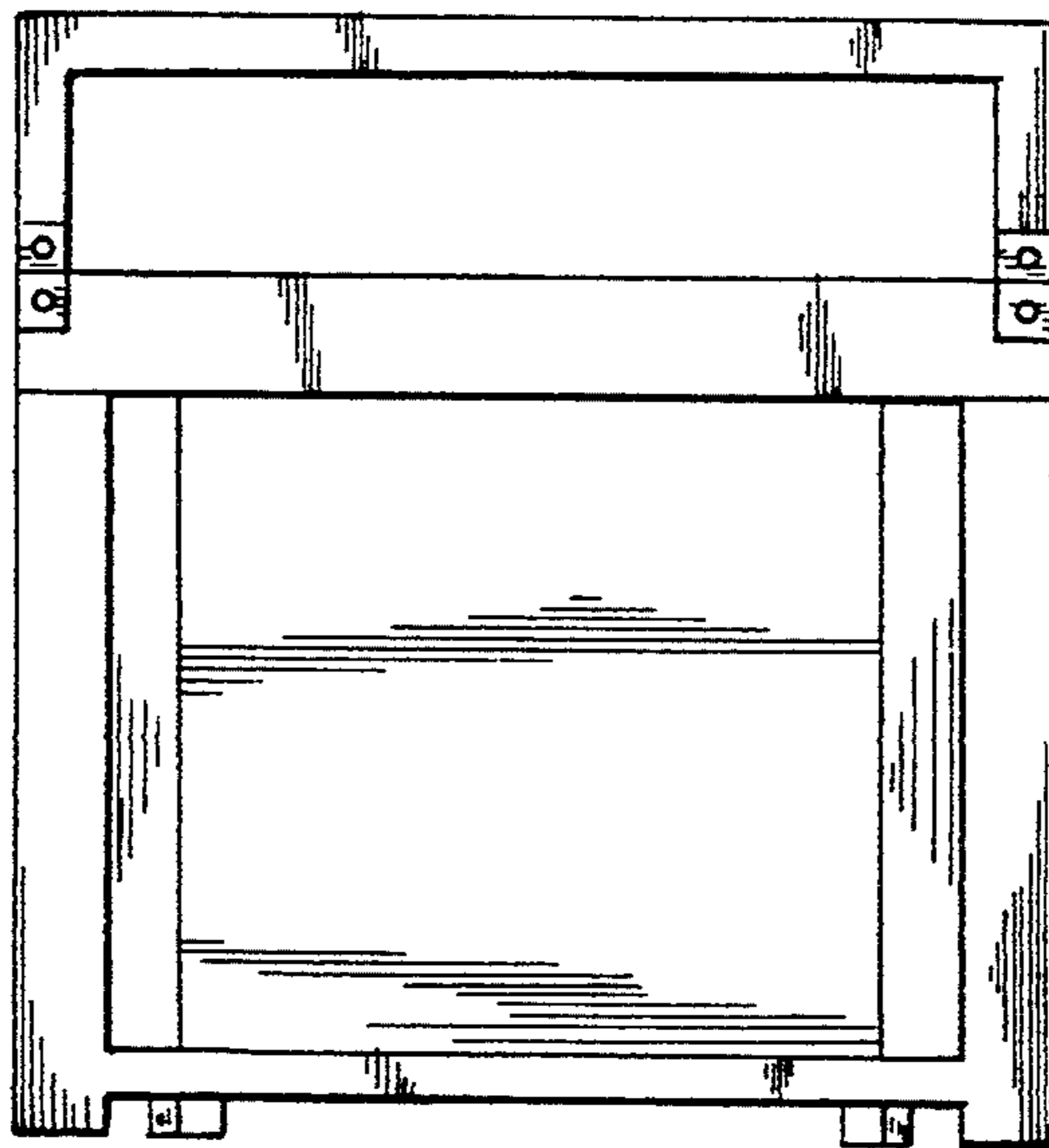


FIG. 5

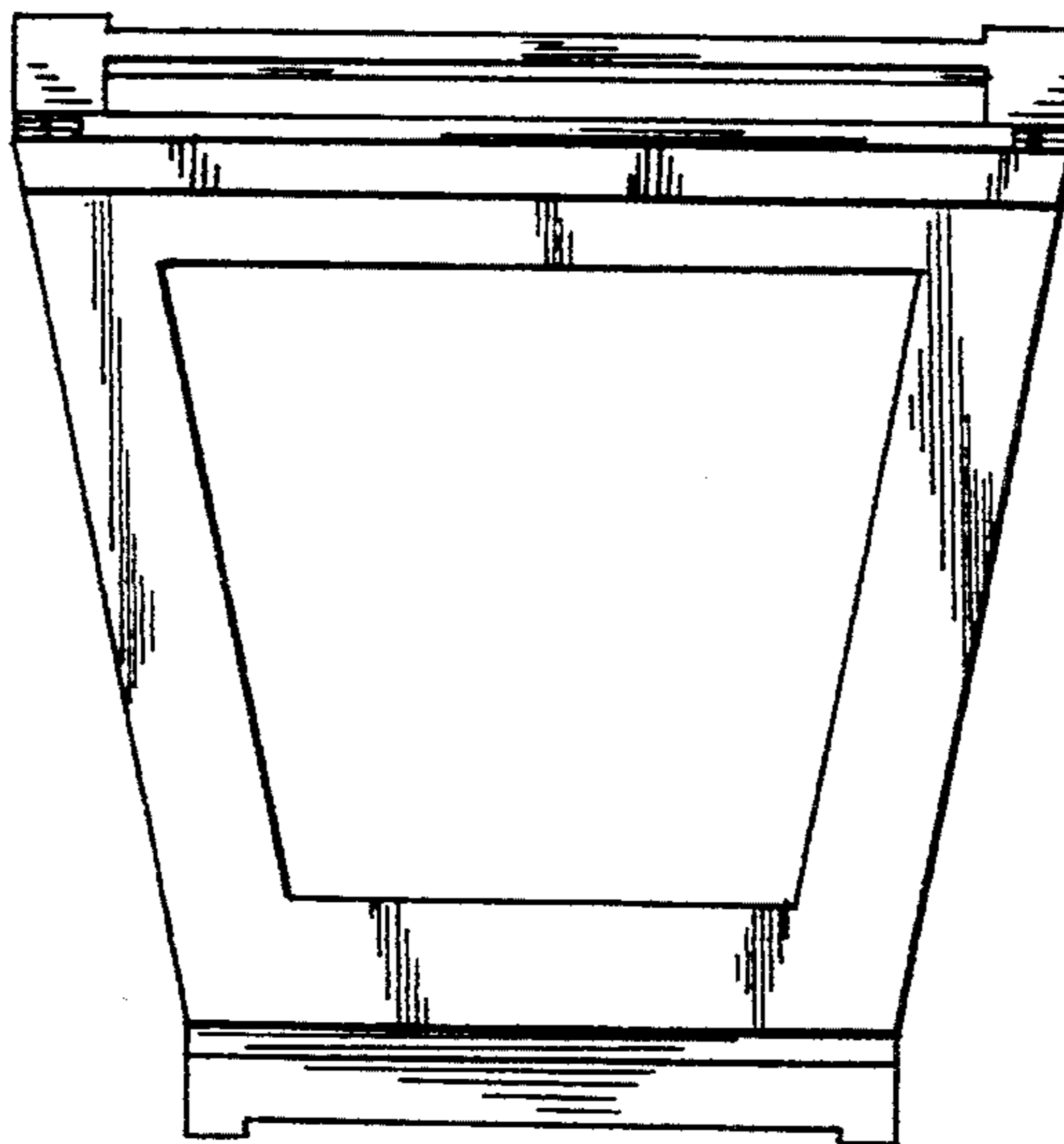


FIG. 6

