



US00D358458S

United States Patent [19]

[11] Patent Number: **Des. 358,458**

Brightbill et al.

[45] Date of Patent: **** May 16, 1995**

[54] **BATHTUB TRAY**

[75] Inventors: **Keith Brightbill, Wooster; Coy D. Ward, Norton, both of Ohio**

[73] Assignee: **Rubbermaid Incorporated, Wooster, Ohio**

[**] Term: **14 Years**

[21] Appl. No.: **17,425**

[22] Filed: **Jan. 13, 1994**

[52] U.S. Cl. **D23/304**

[58] Field of Search **D23/304, 287, 289; D6/524, 525, 527, 536; D7/553; 4/449, 559, 561.1, 570, 556; 108/14, 137, 143**

OTHER PUBLICATIONS

Page 1, Bath bridge; Dupol-Rubbermaid GmbH, Fabrik fur, Gummi- und Kunststoffzeugnisse, 6079 Sprendlingen bei Frankfurt/Main, Frankfurter Strasse 135, Postfach 167, West Germany. Publication date 1966.

Primary Examiner—A. Hugo Word
Assistant Examiner—Eric Watherson
Attorney, Agent, or Firm—Richard B. O'Planick; Lisa B. Riedesel

CLAIM

[57] The ornamental design for a bathtub tray, as shown and described.

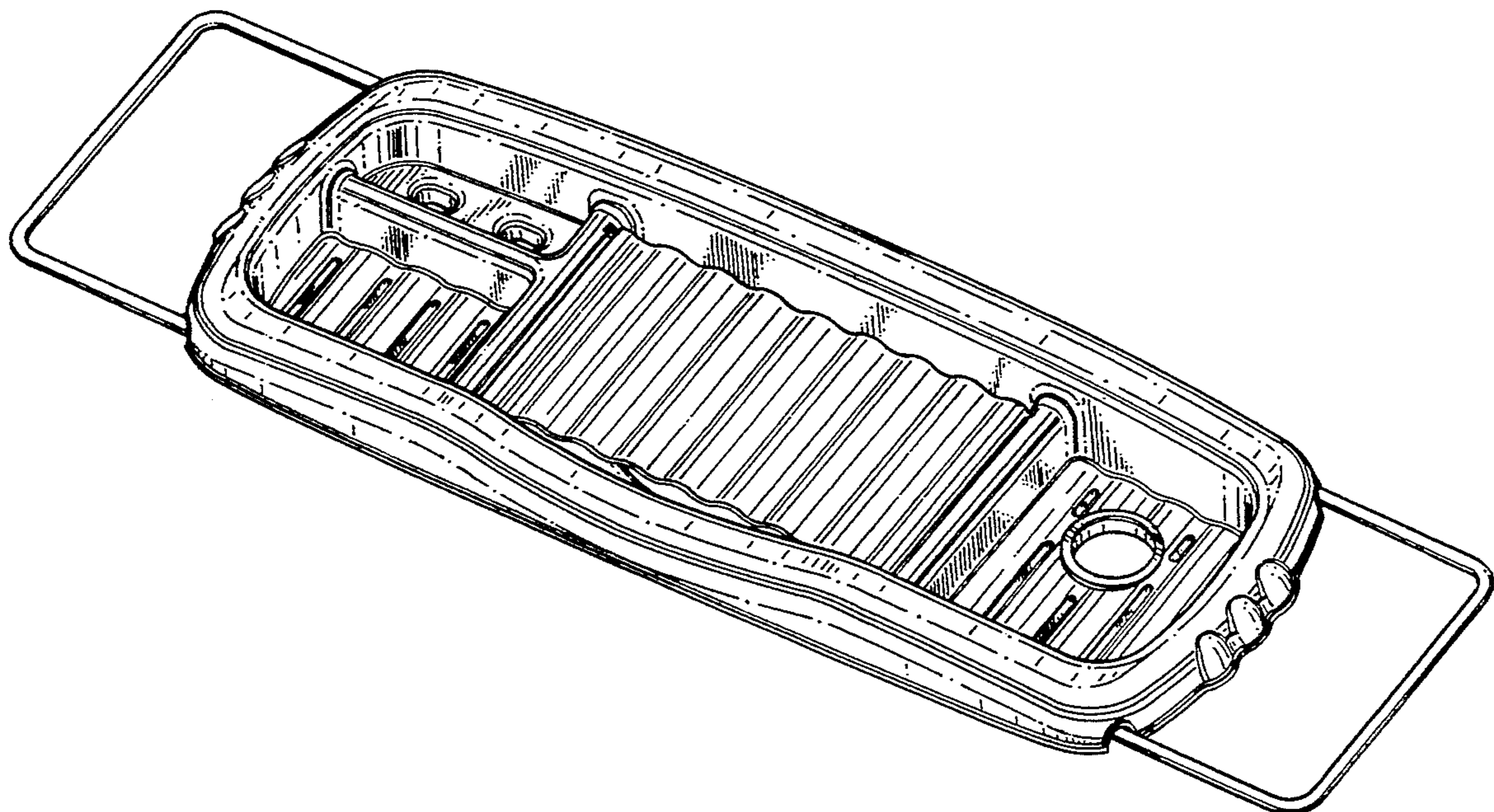
DESCRIPTION

FIG. 1 is a top right front perspective view of a bathtub tray showing our new design;
FIG. 2 is a top plan view thereof;
FIG. 3 is a bottom plan view thereof;
FIG. 4 is a front elevational view thereof;
FIG. 5 is a rear elevational view thereof; and,
FIG. 6 is a right side elevational view thereof; the left side elevational view being a mirror image.

References Cited

U.S. PATENT DOCUMENTS

D. 156,324	12/1949	Dastugue	D15/8
D. 262,841	2/1982	Shames et al.	D6/92
D. 264,158	5/1982	Thompson	D6/525
D. 330,985	11/1992	White	D23/304
2,006,169	6/1935	Harris-Jones	4/559
4,525,882	7/1985	Stenberg	108/137 X
4,953,473	9/1990	Tomaka et al.	108/132



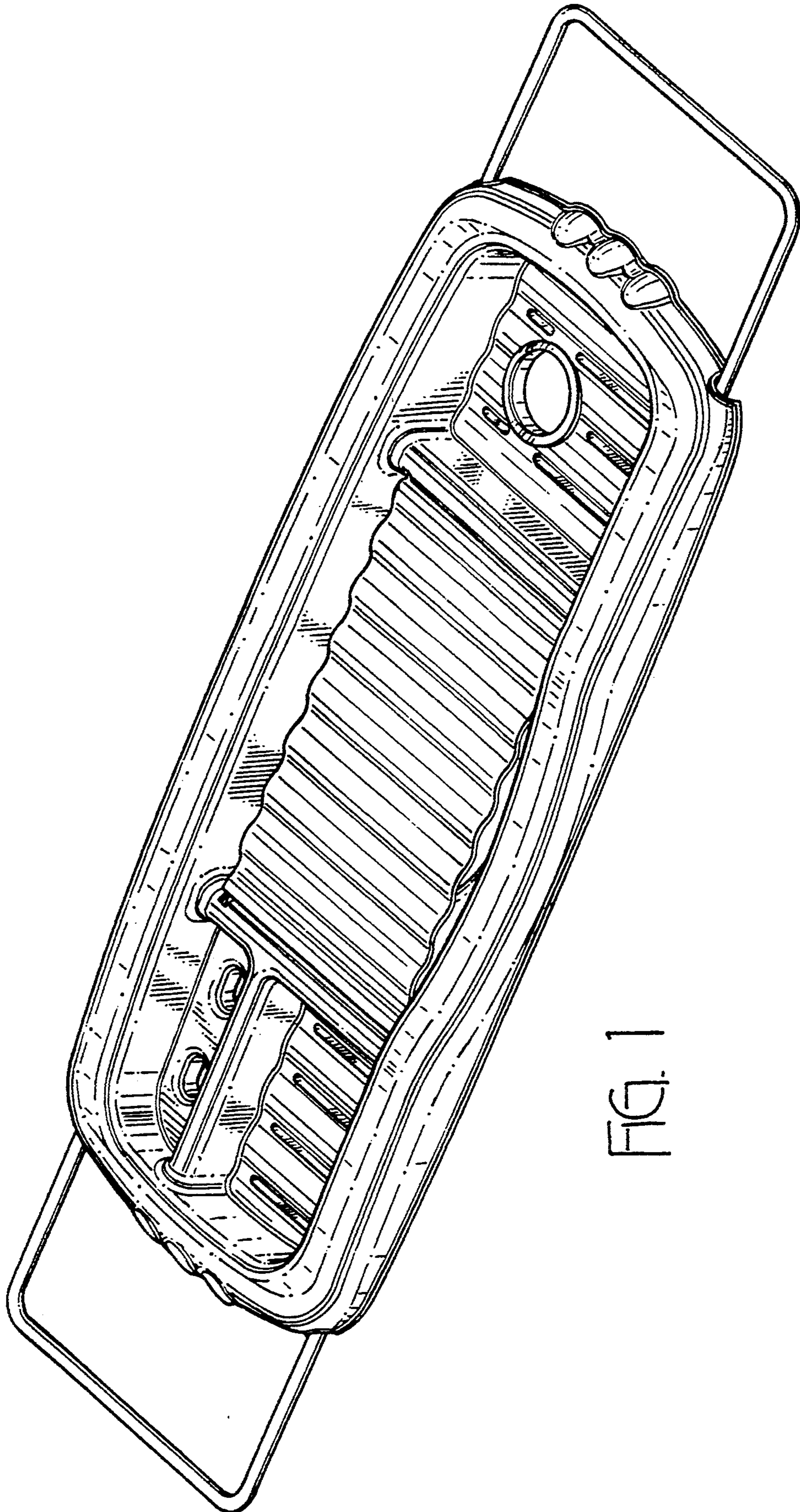


FIG. 1

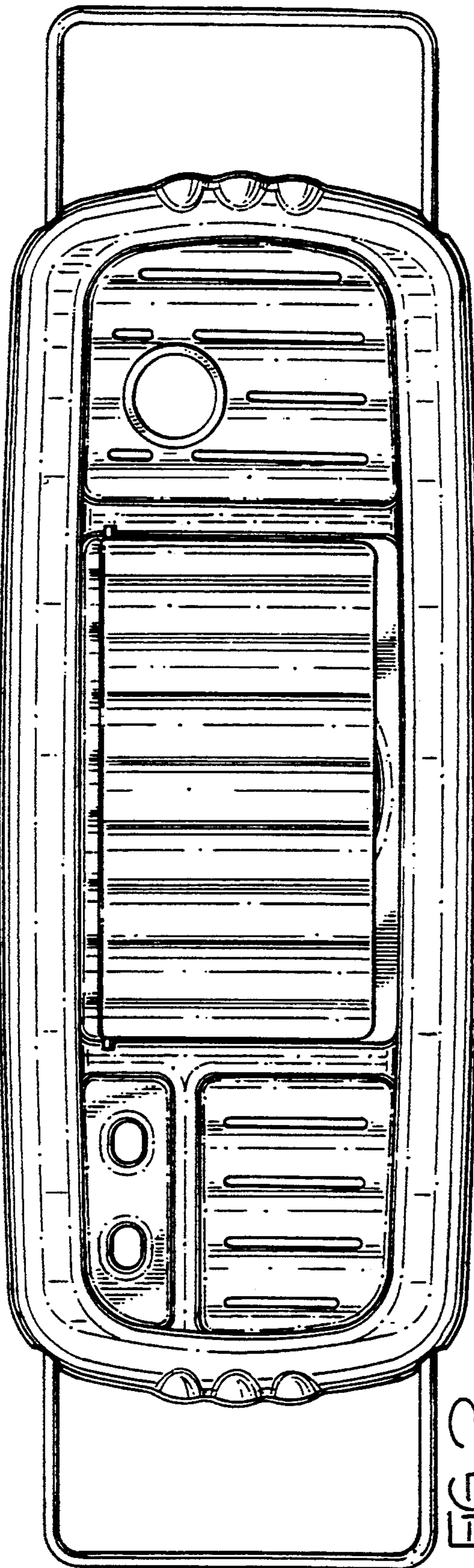


FIG. 2

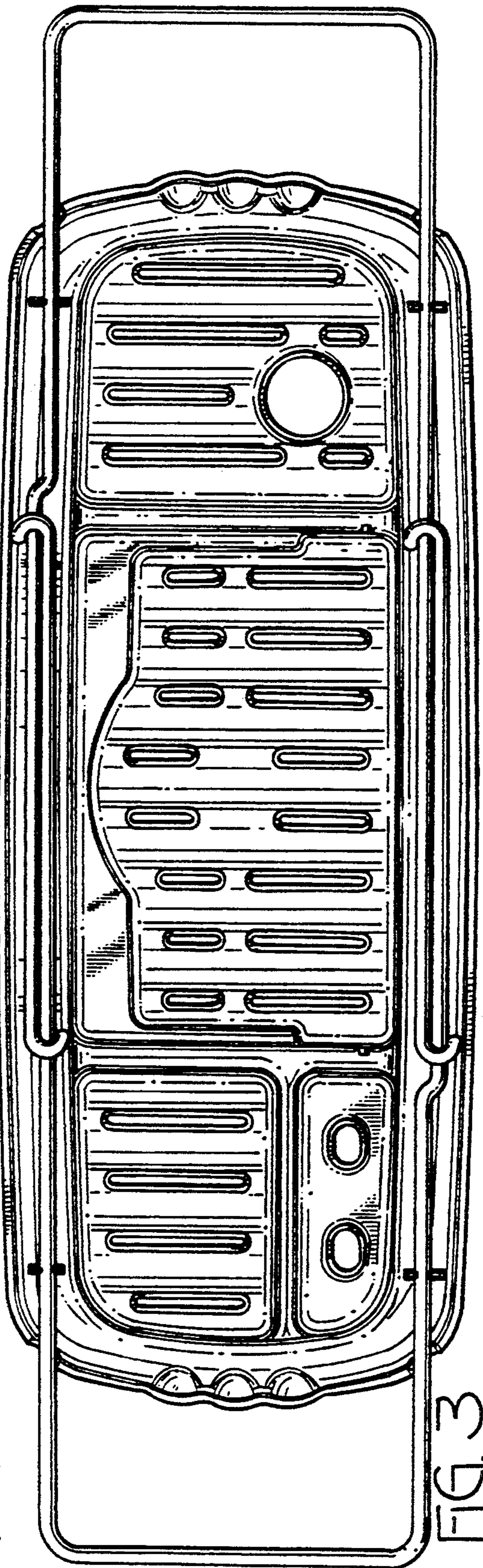


FIG. 3

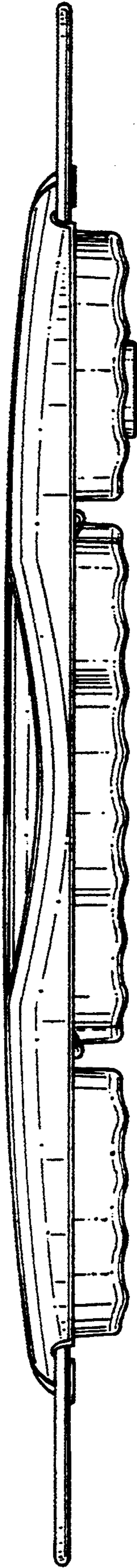


FIG. 4

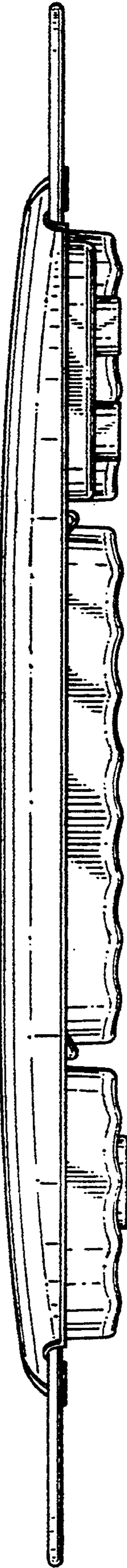


FIG. 5



FIG. 6