



US00D358455S

United States Patent [19]

[11] Patent Number: **Des. 358,455**

Kieper

[45] Date of Patent: **** May 16, 1995**

[54] VALVE LOCK

DESCRIPTION

[75] Inventor: **Douglas A. Kieper**, Finchville, Ky.

FIG. 1 is an elevational perspective view of a valve lock made in accordance with the present invention;

[73] Assignee: **Nibco, Inc.**, Elkart, Ind.

FIG. 2 is a front elevational view showing the valve lock of FIG. 1;

[**] Term: **14 Years**

FIG. 3 is a rear elevational view showing the valve lock of FIG. 1;

[21] Appl. No.: **934,799**

FIG. 4 is a side elevational view showing the valve lock of FIG. 1;

[22] Filed: **Aug. 24, 1992**

FIG. 5 is a side elevational view showing the opposite side of the valve lock of FIG. 1;

[52] U.S. Cl. **D23/249**

FIG. 6 is a bottom plan view showing the valve lock of FIG. 1;

[58] Field of Search **D23/249-253;**
137/383, 384.2, 384.8, 385; 70/175, 176, 177,
178, 179, 180

FIG. 7 is an elevational perspective view showing the valve lock of FIG. 1 mounted upon a valve shown in phantom lines;

[56] References Cited

FIG. 8 is an elevational end view showing the valve lock of FIG. 1 mounted upon a valve shown in phantom lines;

U.S. PATENT DOCUMENTS

1,099,280	6/1914	Connolly	70/177
2,693,815	8/1949	Gould	.
3,006,181	5/1958	Sarti	70/180
3,532,111	10/1970	Hansen	.
4,681,134	7/1987	Paris, Sr.	70/177 X
4,971,289	11/1990	Pistras	.

FIG. 9 is an elevational end view showing the valve lock of FIG. 1 mounted upon a valve and rotatably aligned with a valve handle shown in phantom lines;

OTHER PUBLICATIONS

Burley and Guirguis, Nasa Tech Briefs, Dec., 1991, p. 63.

Brady Ball Valve Lockout "I," #65666, not dated.

Brady Ball Valve Lockout "II," #65666, not dated.

B-Safe Ball Valve Lockout #HB501, HB502, not dated.

FIG. 10 is an elevational perspective view of another embodiment of the valve lock made in accordance with the present invention having an angled leg member;

FIG. 11 is a front elevational view showing the valve lock of FIG. 10;

FIG. 12 is a rear elevational view showing the valve lock of FIG. 10;

FIG. 13 is a side elevational view showing the valve lock of FIG. 10;

FIG. 14 is a side elevational view showing the opposite side of the valve lock of FIG. 10;

FIG. 15 is a top plan view showing the valve lock of FIG. 10;

FIG. 16 is a bottom plan view showing the valve lock of FIG. 10; and,

FIG. 17 is an elevational perspective view showing the valve lock of FIG. 10 mounted upon a valve shown in phantom lines.

The broken lines shown are for illustrative purposes only and form no part of the claimed design.

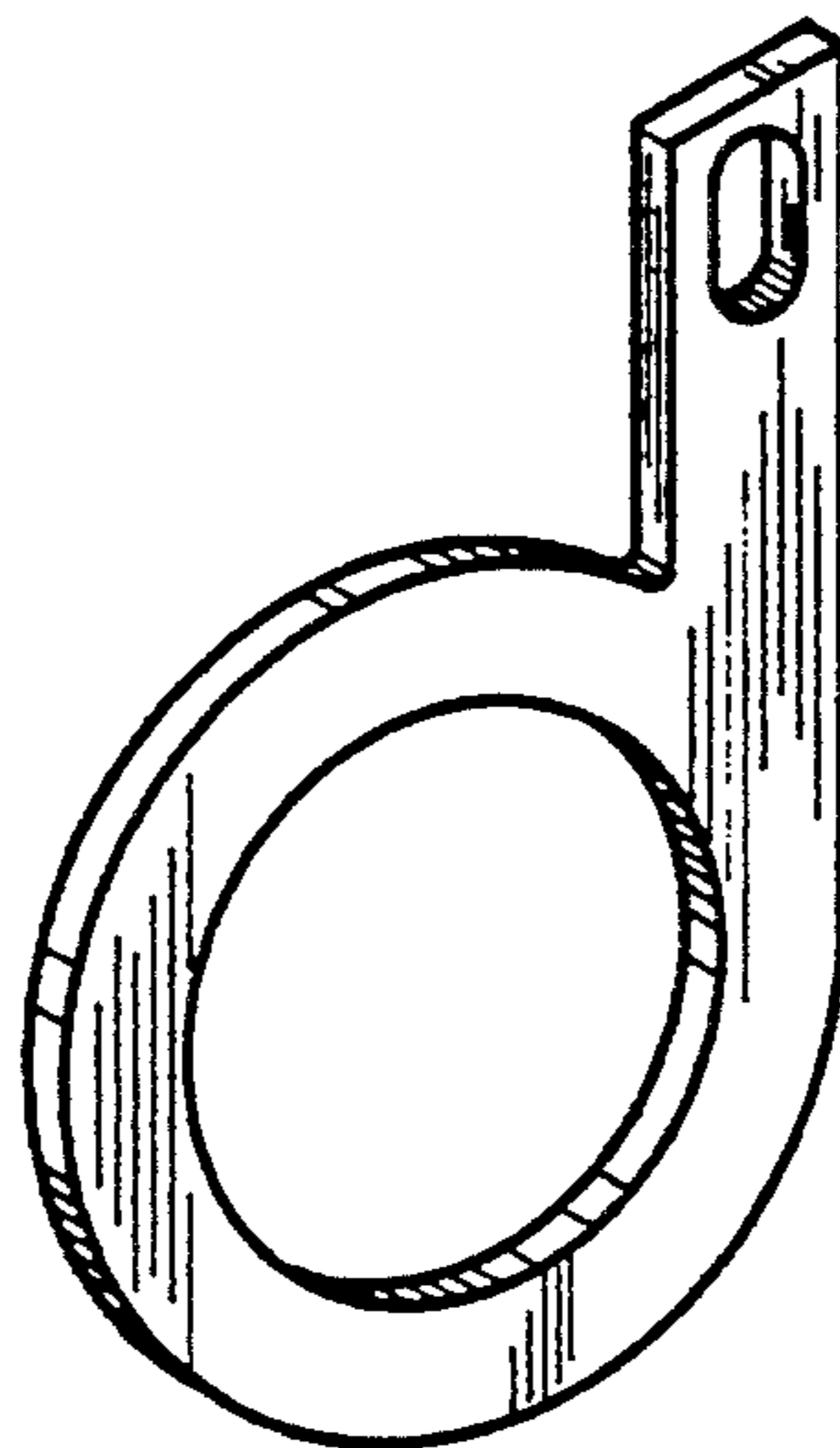
Primary Examiner—A. Hugo Word

Assistant Examiner—Eric Watterson

Attorney, Agent, or Firm—Middleton & Reutlinger

[57] CLAIM

The ornamental design for a valve lock, as shown and described.



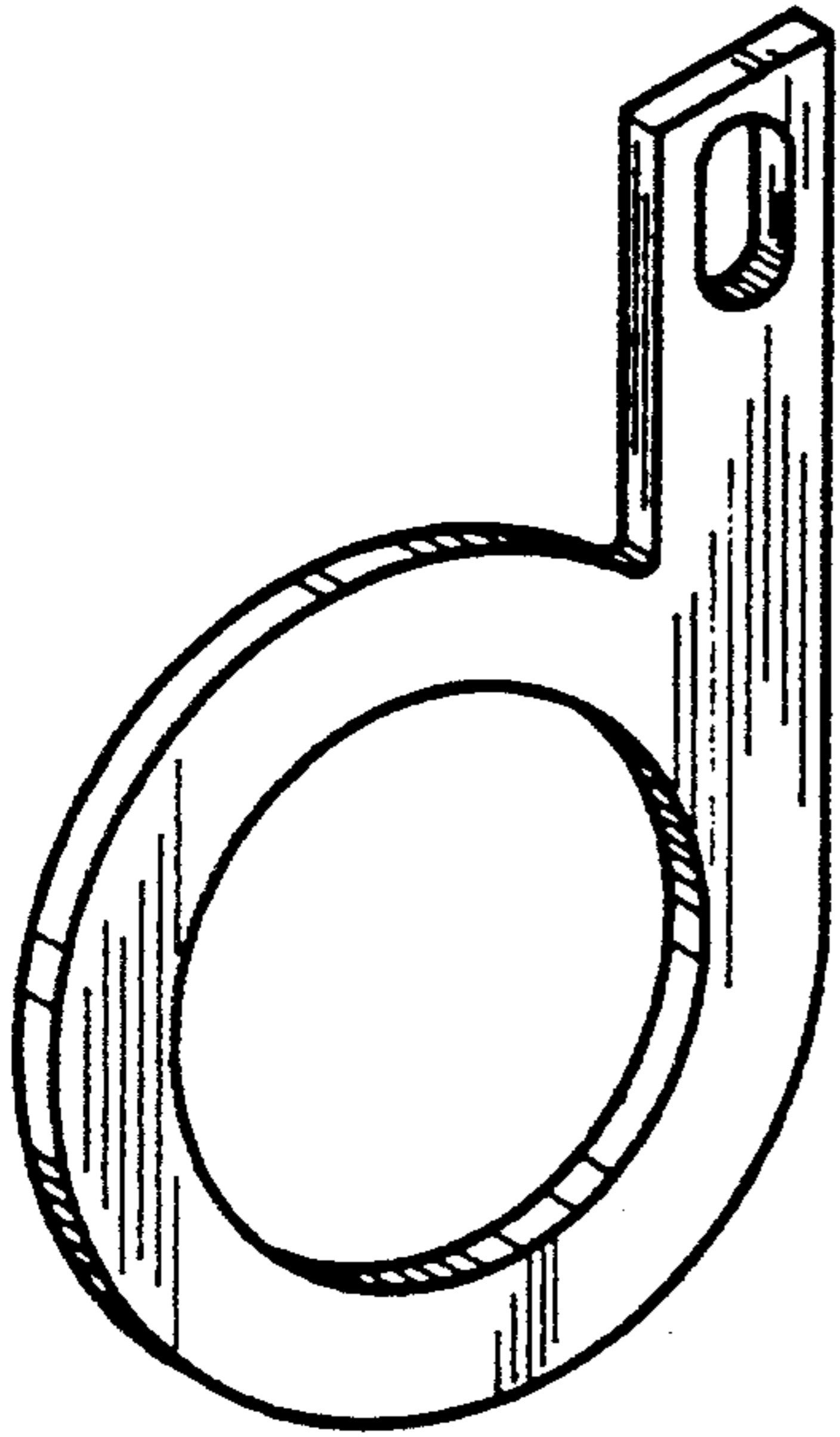


FIG. 1

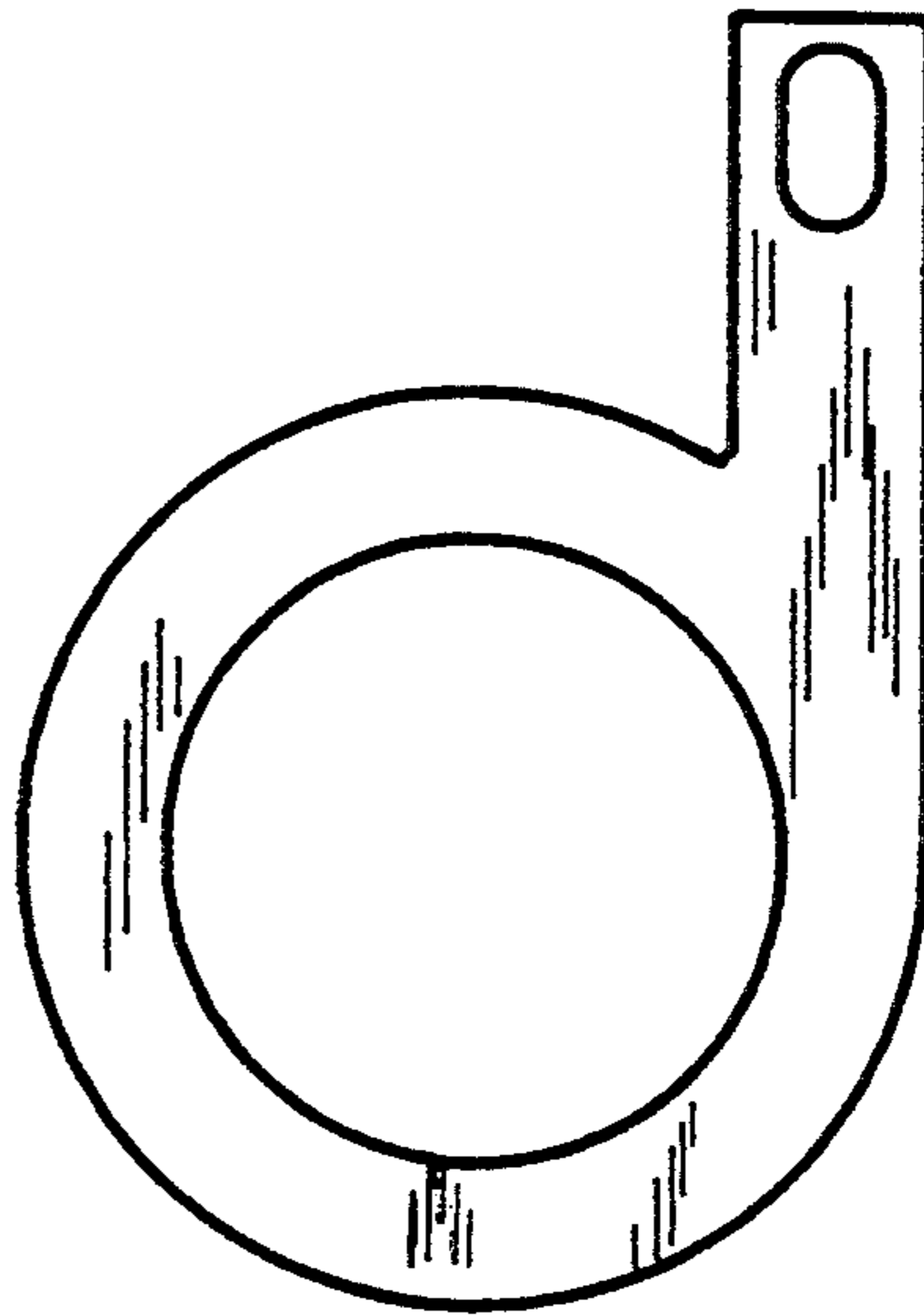


FIG. 2

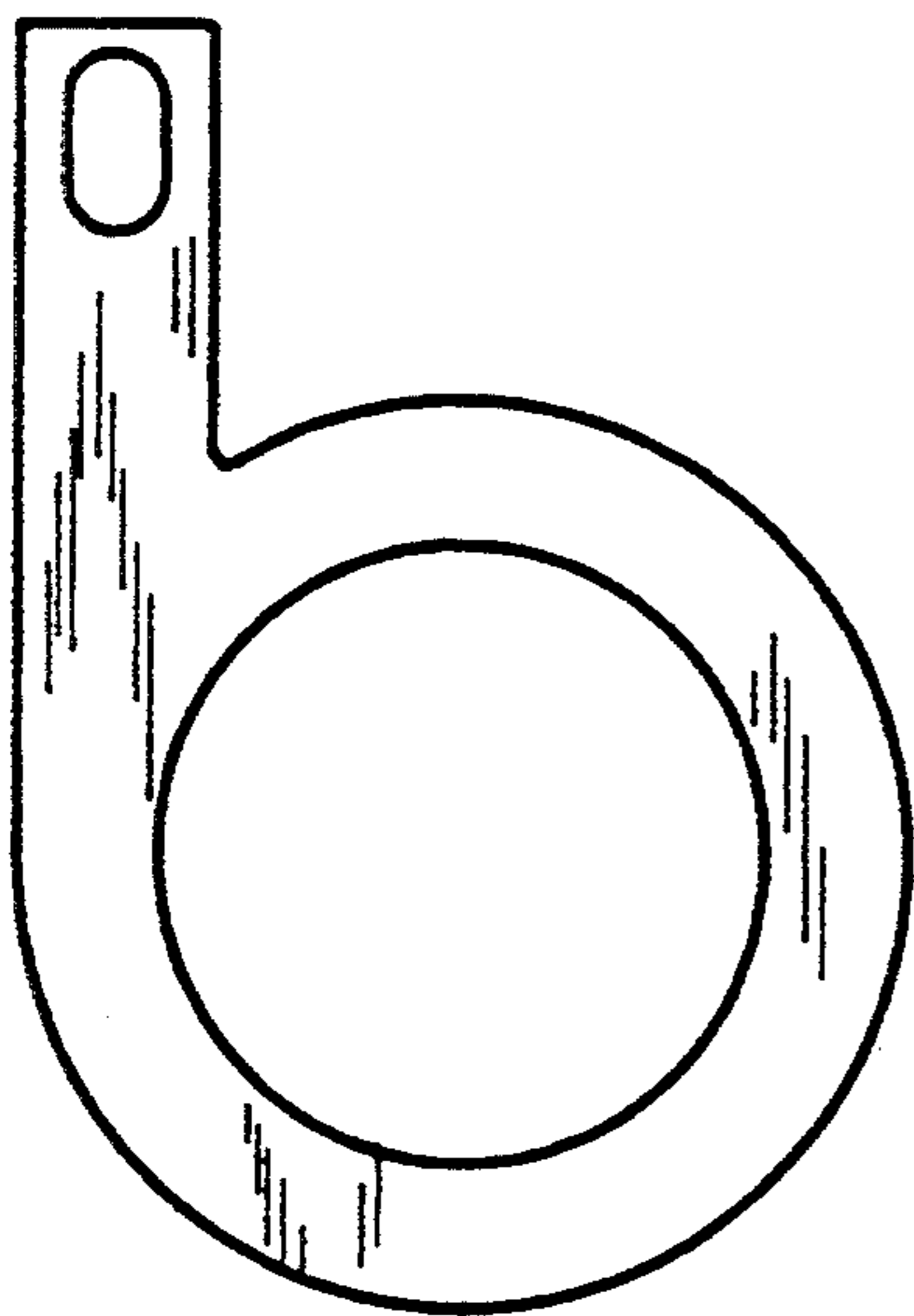


FIG. 3



FIG. 4



FIG. 5



FIG. 6

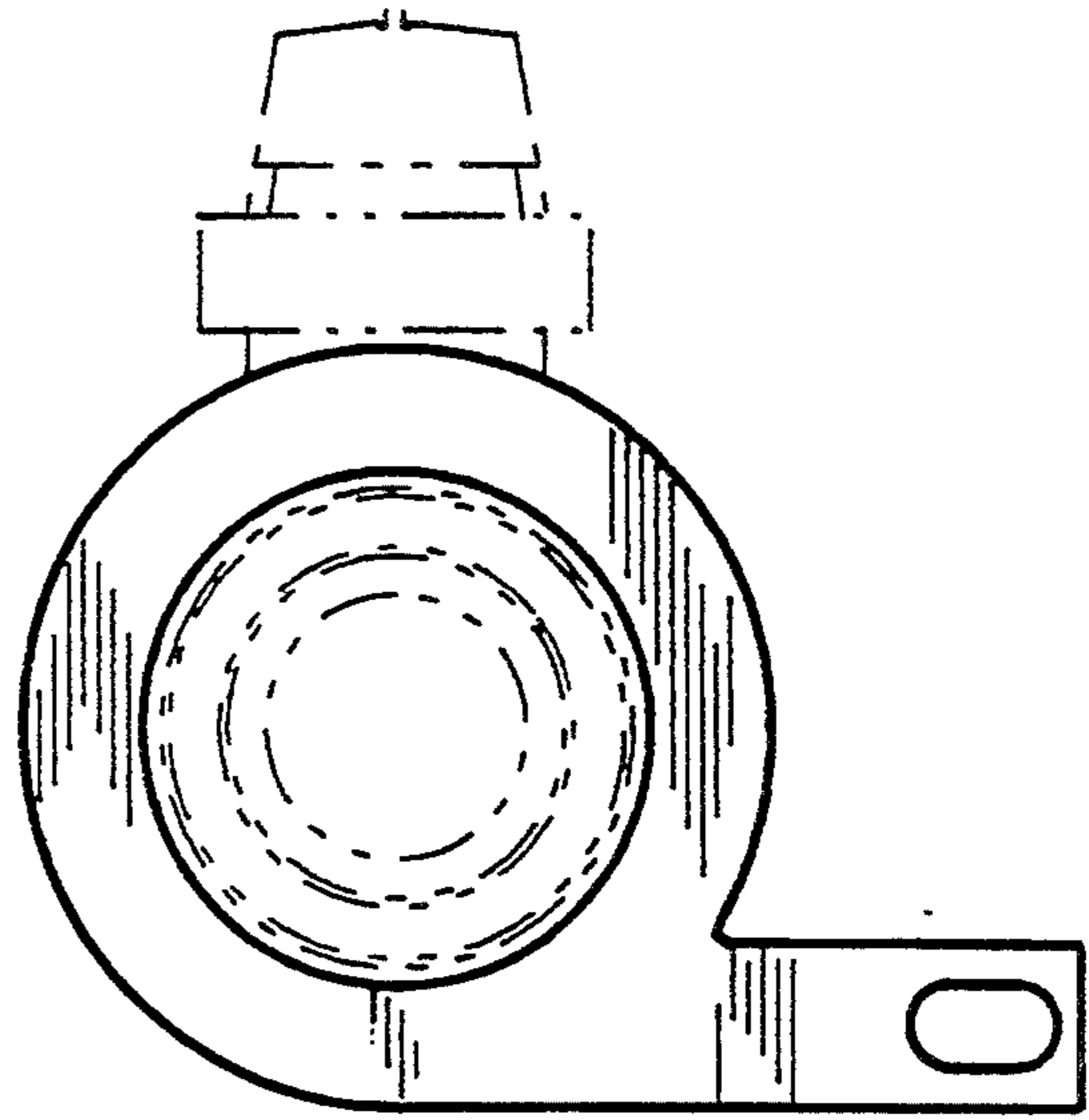


FIG. 8

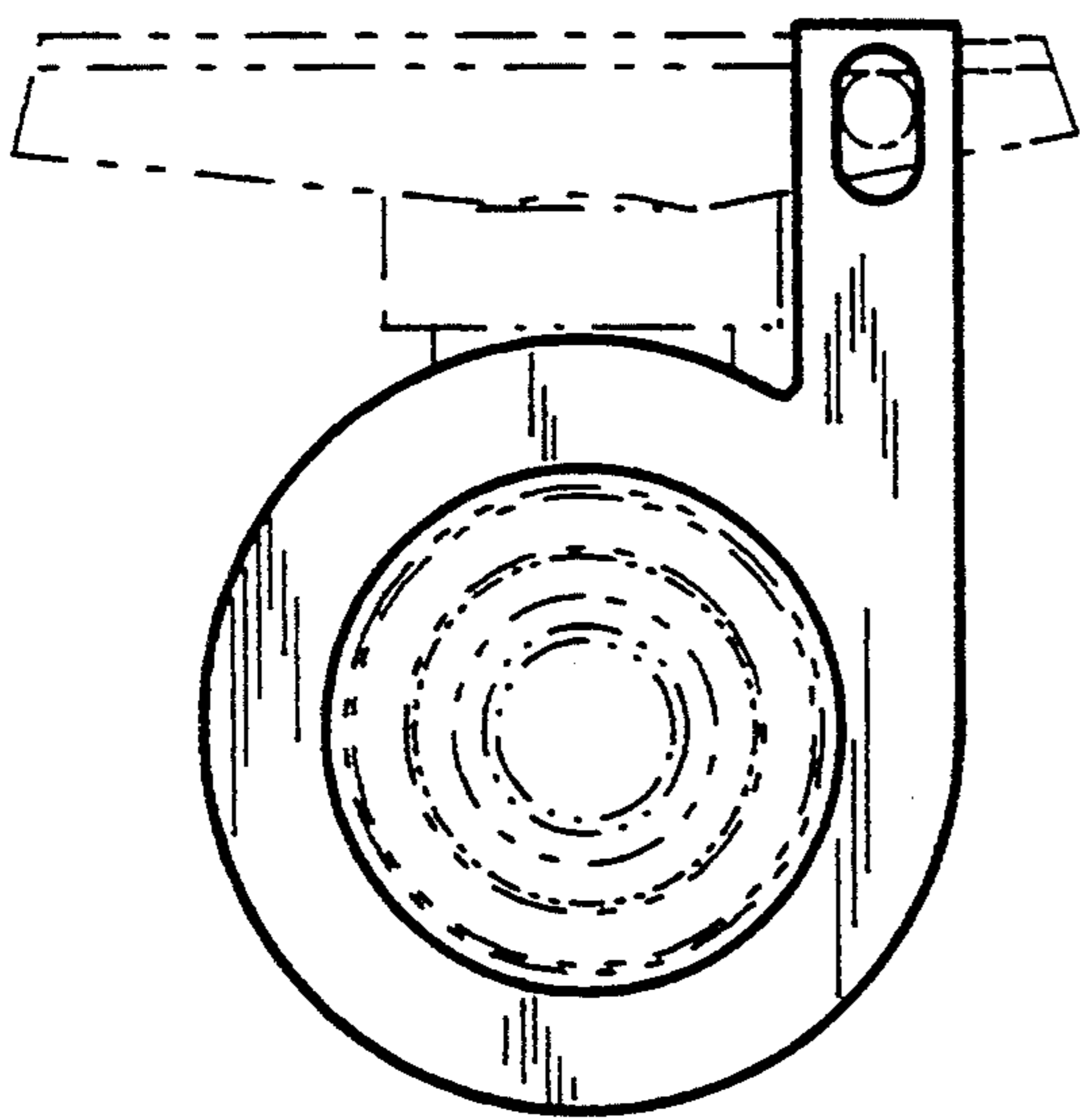


FIG. 9

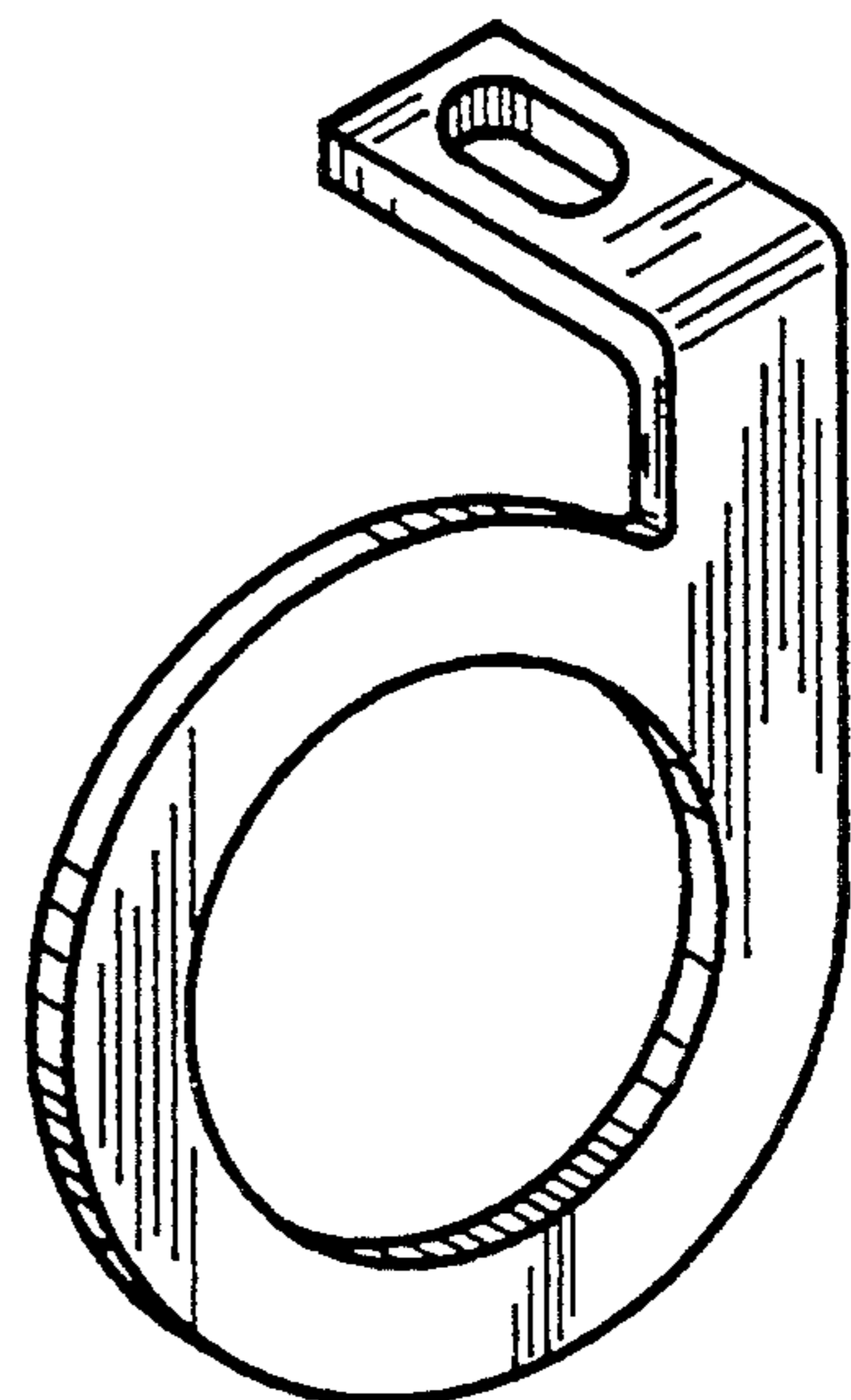


FIG. 10

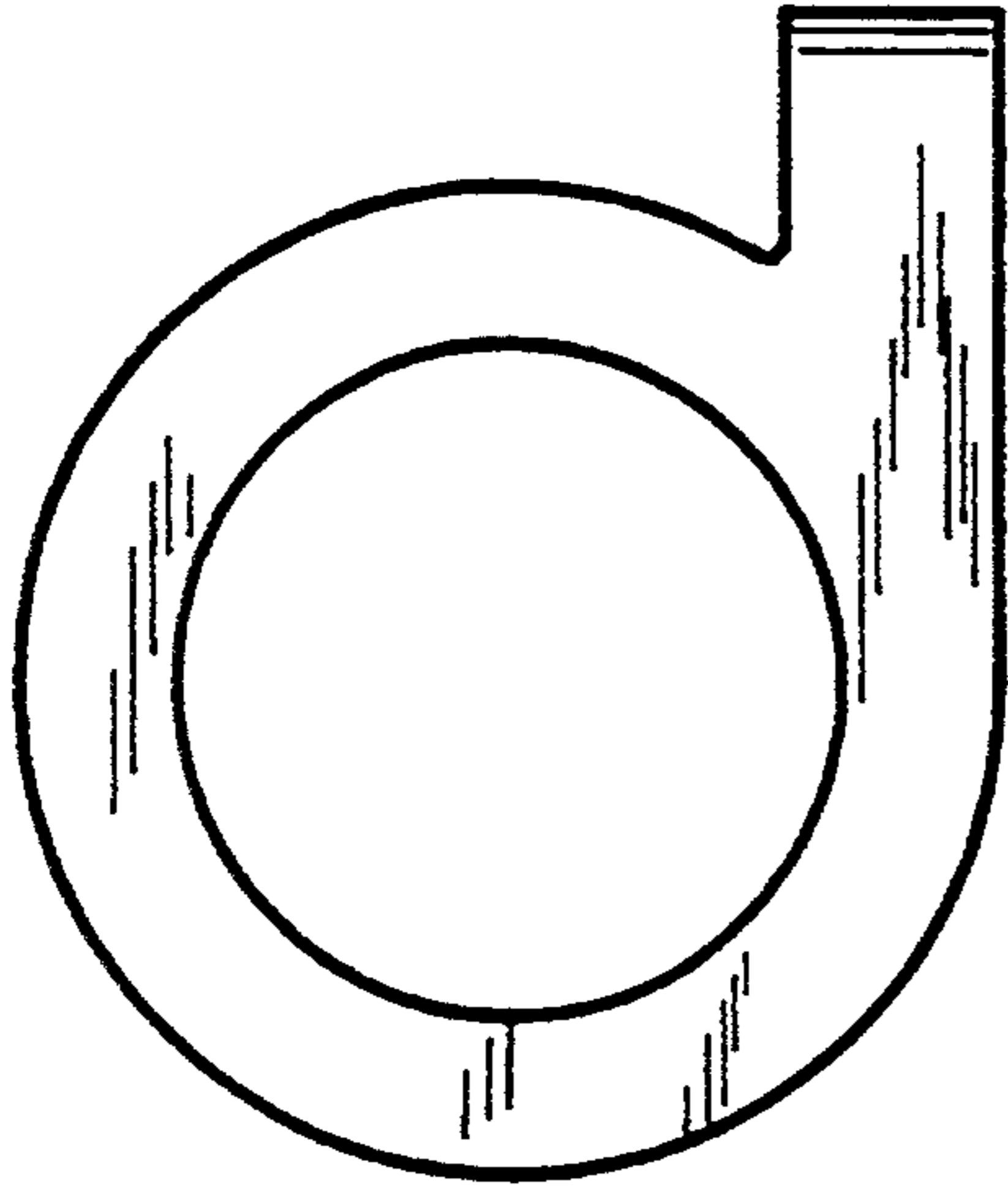


FIG. 11

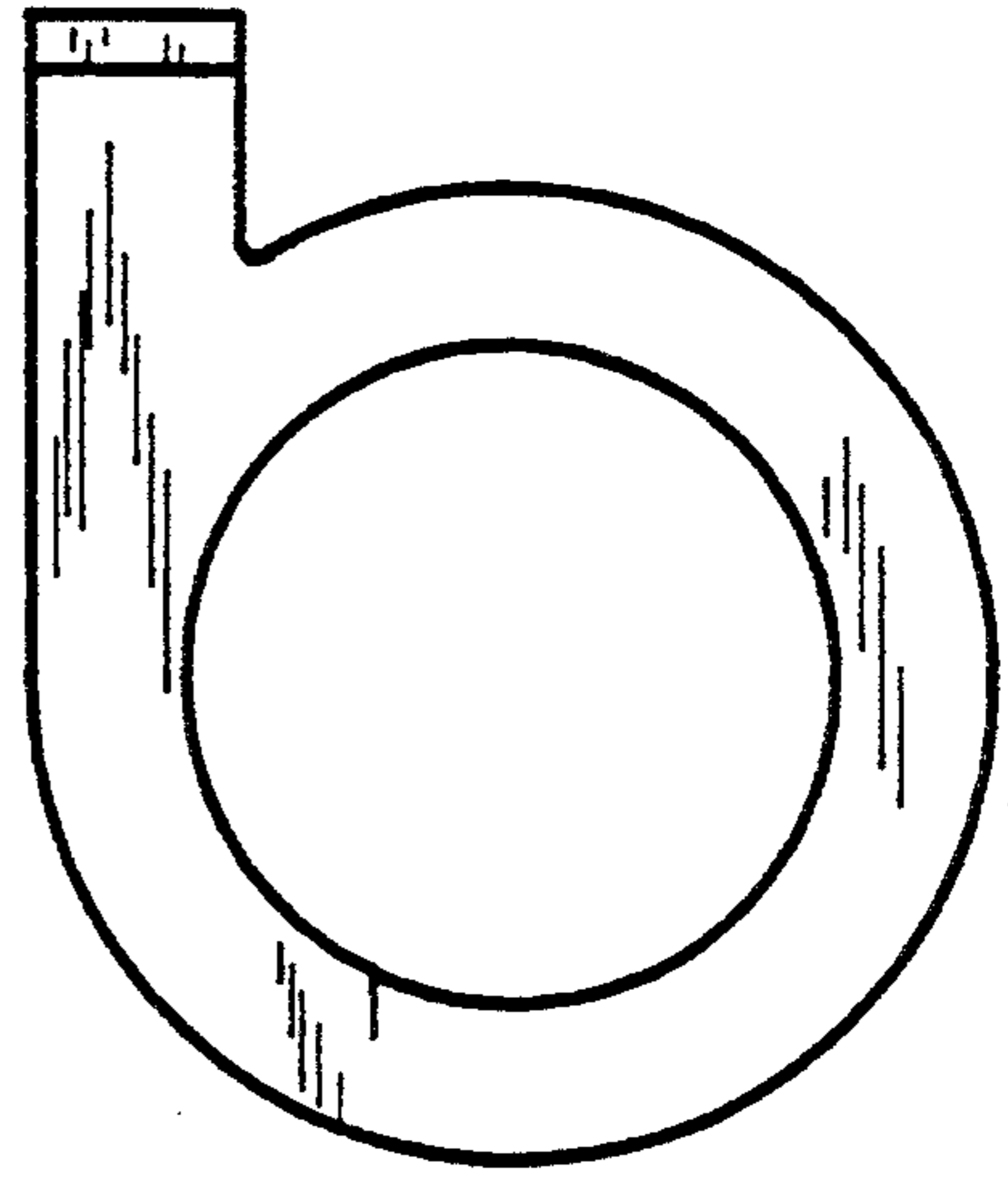


FIG. 12

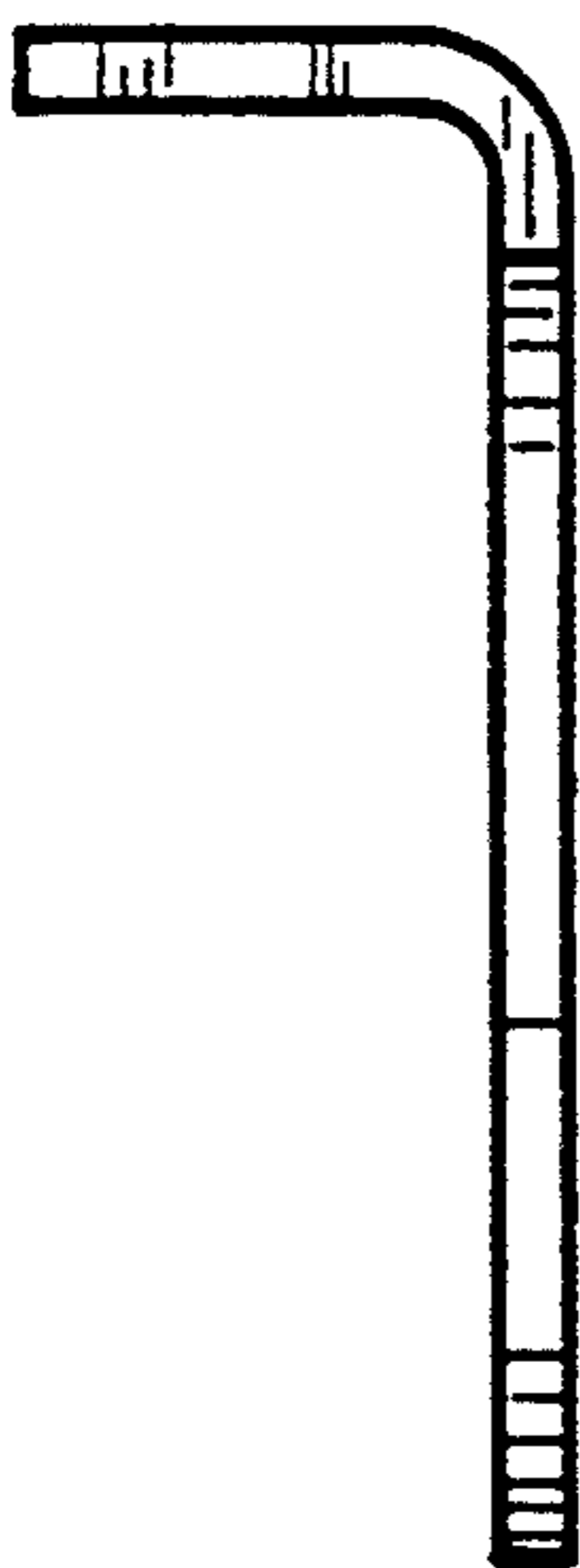


FIG. 13

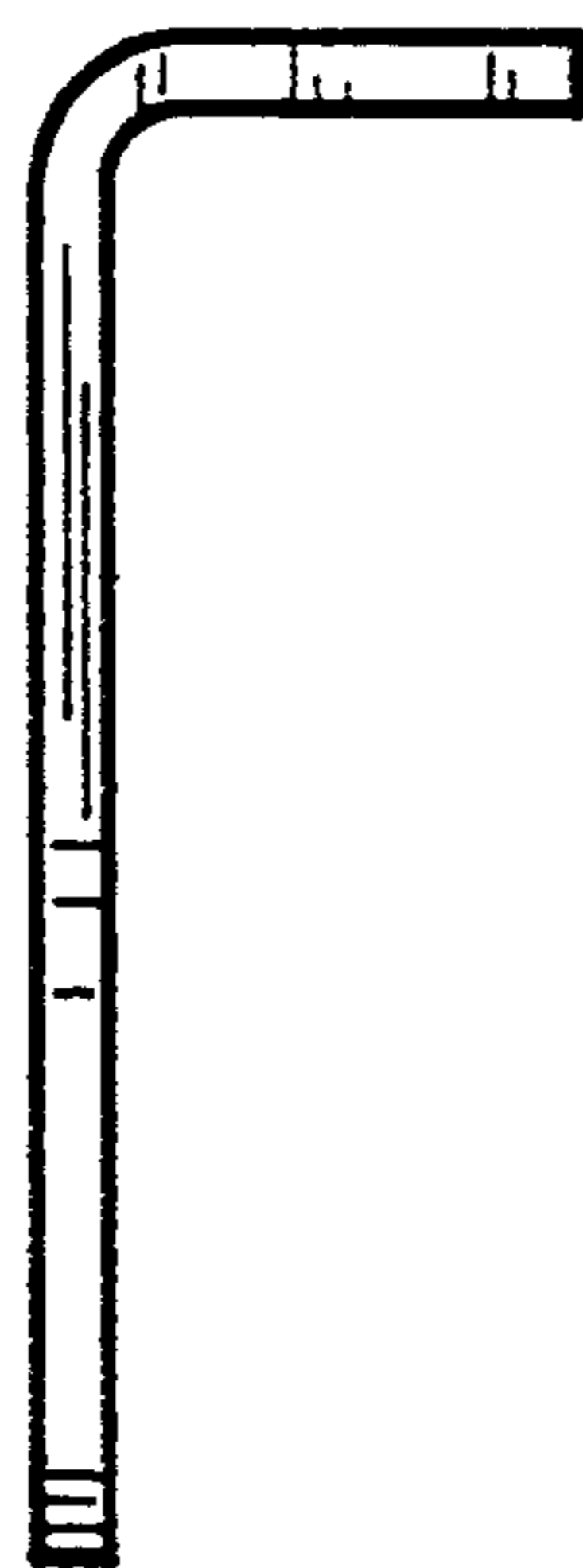


FIG. 14

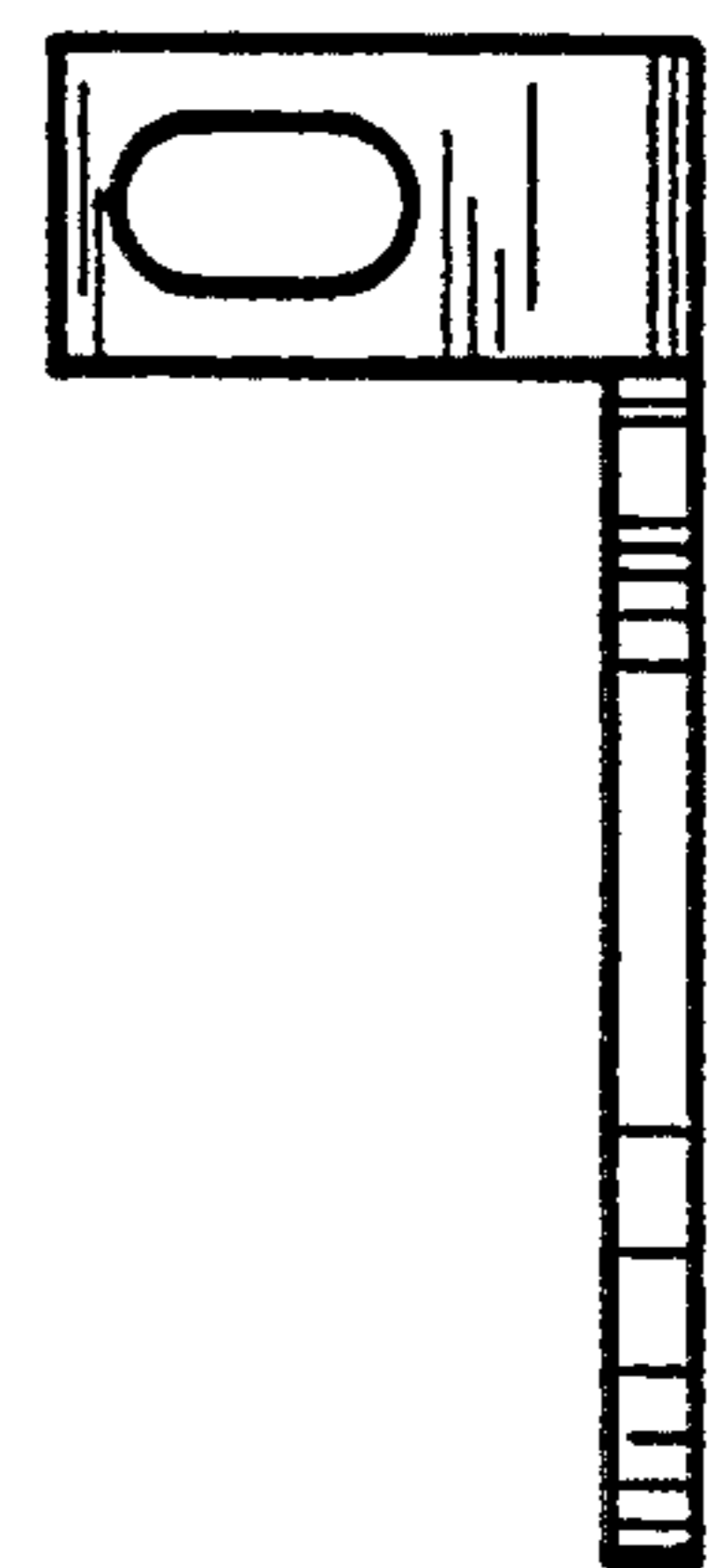


FIG. 15

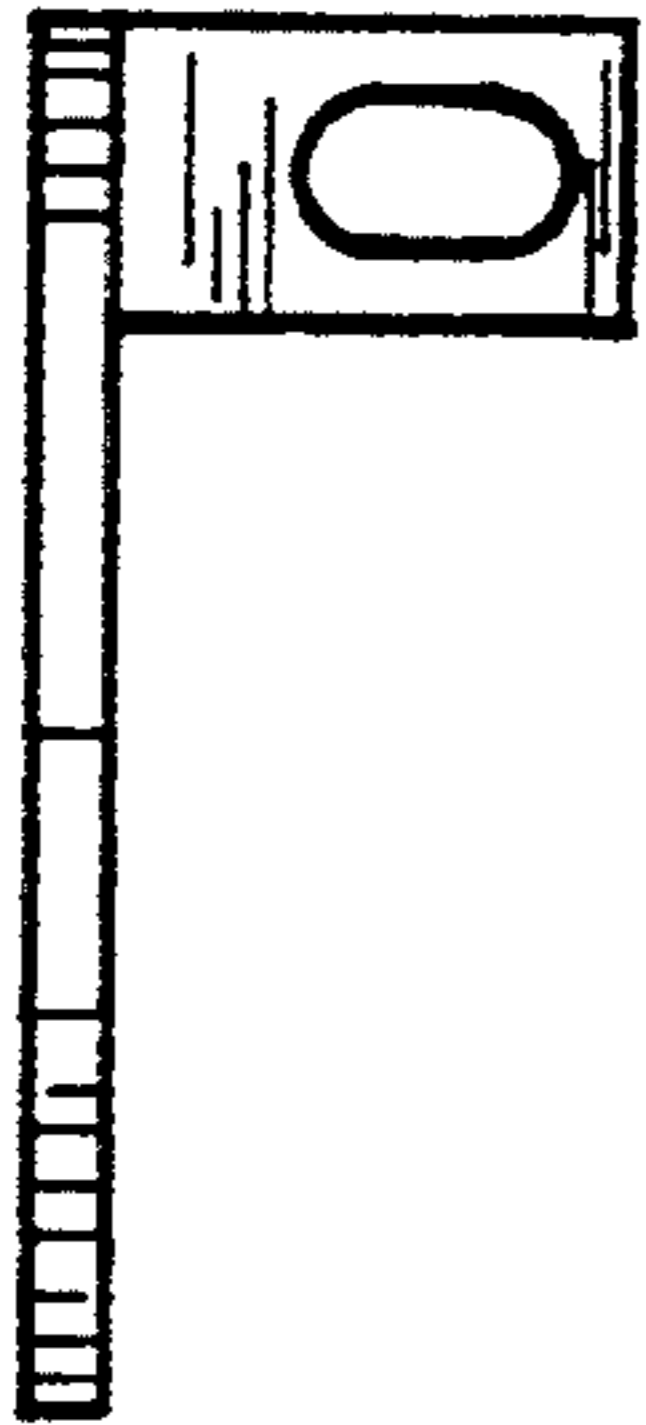


FIG. 16

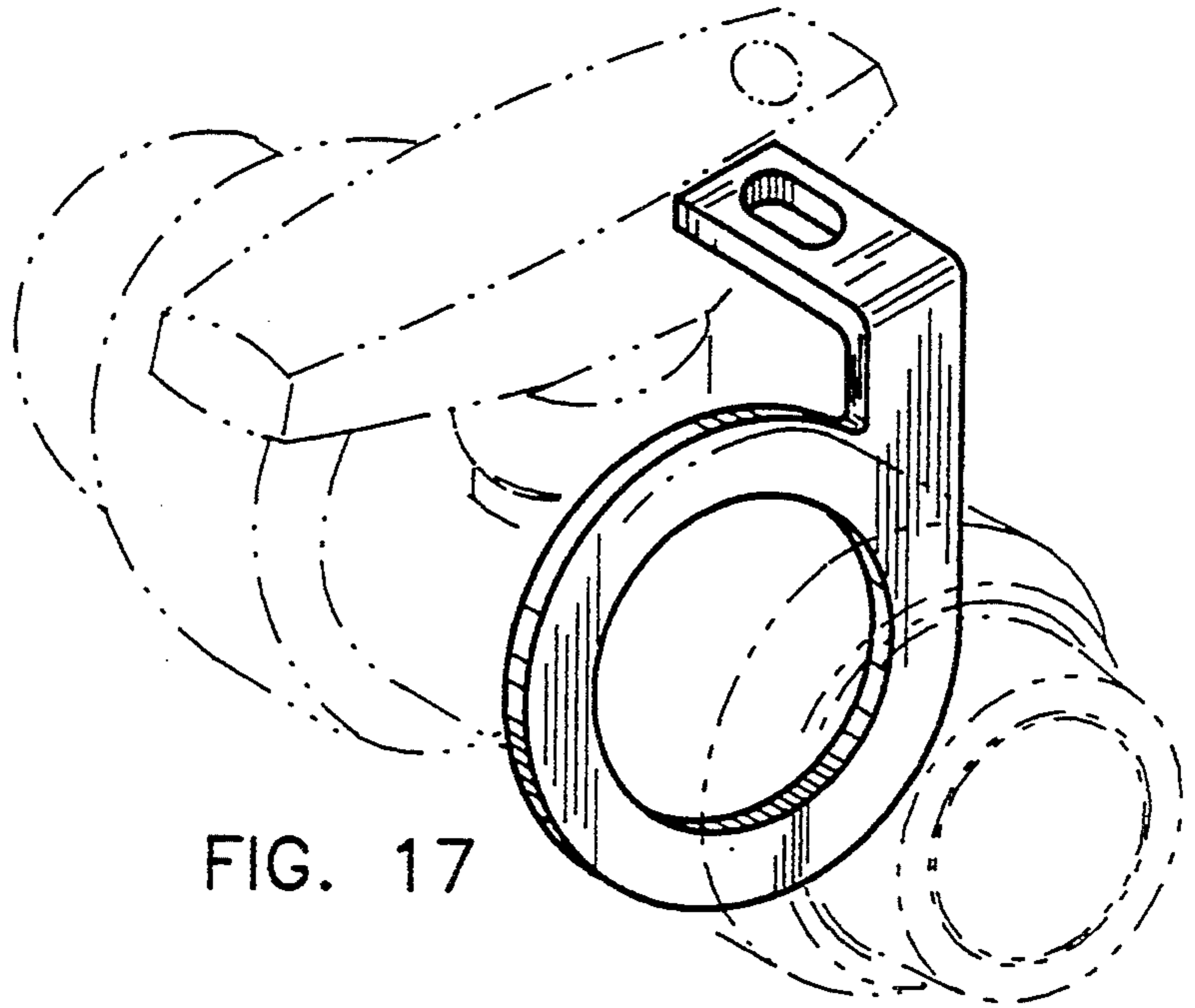


FIG. 17

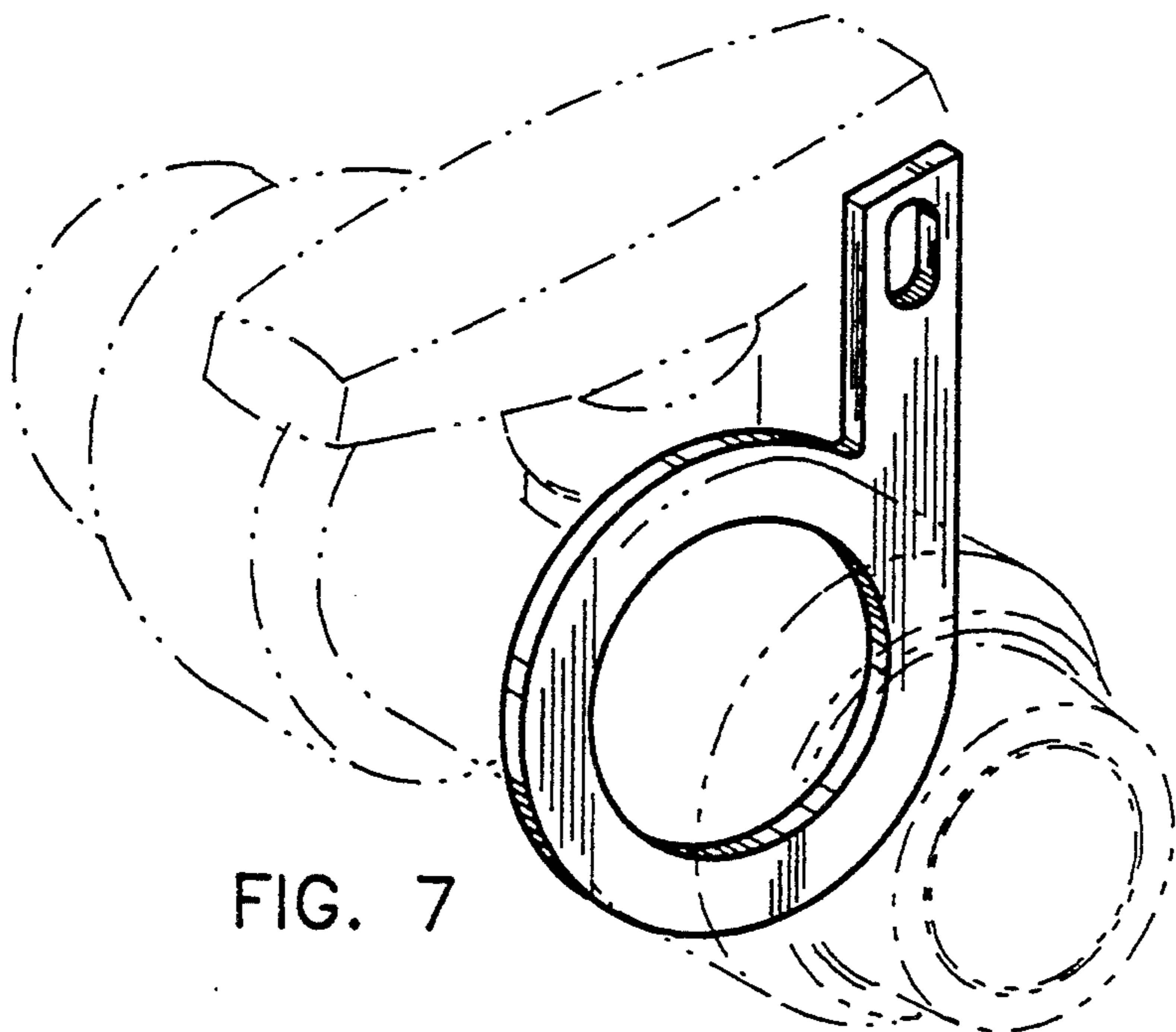


FIG. 7