



US00D358454S

# United States Patent [19]

[11] Patent Number: **Des. 358,454**

**Kaspers**

[45] Date of Patent: **\*\* May 16, 1995**

- [54] CONTROL VALVE
- [75] Inventor: **Rudiger Kaspers**, Tonisvorst, Germany
- [73] Assignee: **Arca Regler GmbH**, Tönisvorst, Germany
- [\*\*] Term: **14 Years**
- [21] Appl. No.: **17,756**
- [22] Filed: **Jan. 21, 1994**
- [30] Foreign Application Priority Data  
Jul. 22, 1993 [DE] Germany ..... DM/026 763
- [52] U.S. Cl. .... **D23/245**
- [58] Field of Search ..... D23/245; 92/94, 99, 92/110; 137/270; 251/61.4, 61.5

3,426,788	2/1969	Bassett .....	137/270
4,343,224	8/1982	Kemmler .....	91/47
4,505,188	3/1985	Weydt et al. ....	92/94
4,624,281	11/1986	Vidal et al. ....	137/599.2
4,922,952	5/1990	Kemmler .....	137/382

### OTHER PUBLICATIONS

Brochure—"Membran-Stellantrieb mit integrierter Luftversorgung Baureihe 812" Nov. 3, 1991.

*Primary Examiner*—A. Hugo Word  
*Assistant Examiner*—Eric Watterson  
*Attorney, Agent, or Firm*—Joseph W. Berenato, III

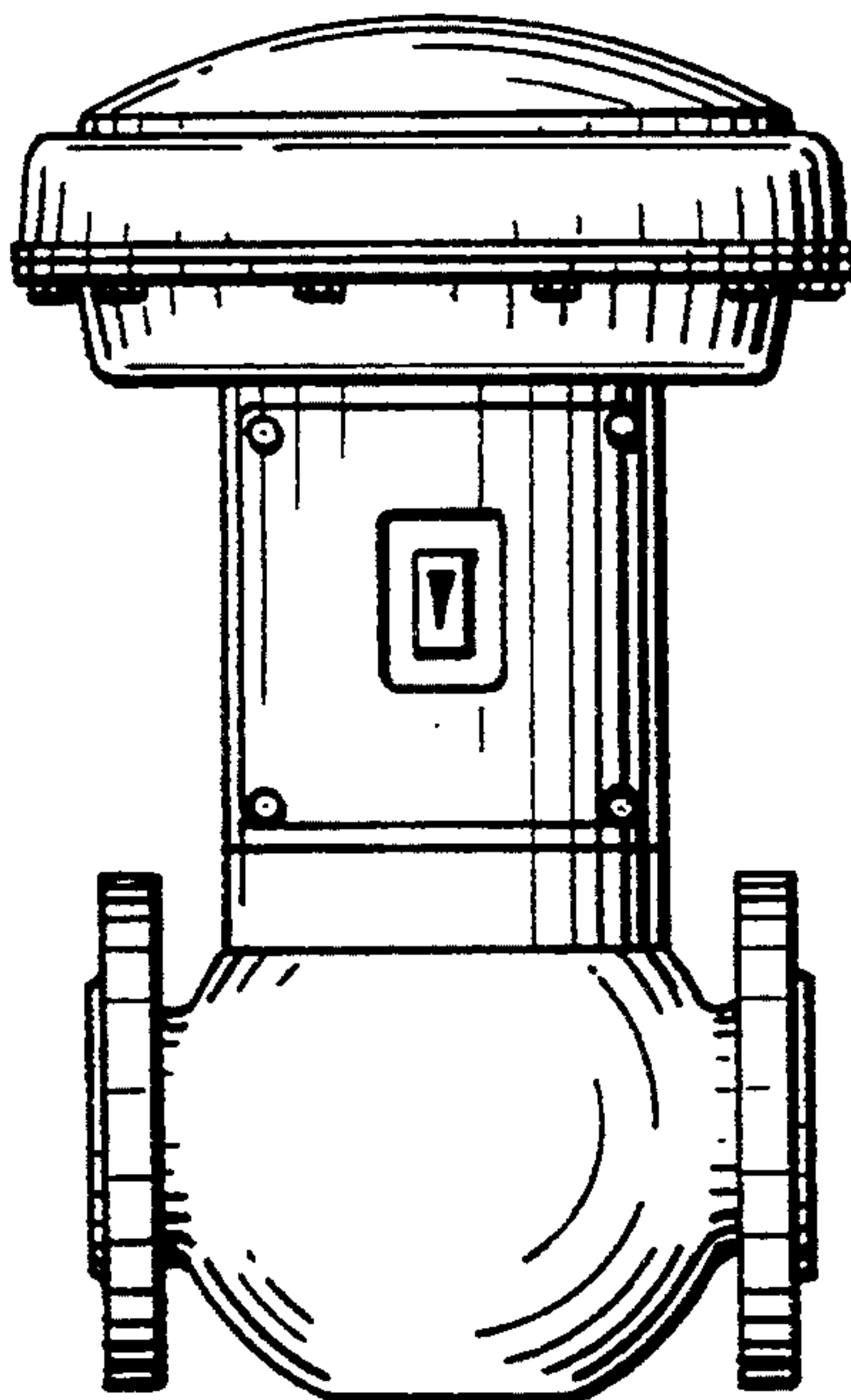
### [57] CLAIM

The ornamental design for a control valve, as shown and described.

### DESCRIPTION

FIG. 1 is a bottom plan view of my new control valve; FIG. 2 is a right side elevational view; FIG. 3 is a front elevational view; FIG. 4 is a right side elevational view; FIG. 5 is a rear elevational view; and, FIG. 6 is a top plan view.

- [56] References Cited
- U.S. PATENT DOCUMENTS
- D. 99,226 4/1936 Vogt ..... D23/248
- 2,664,098 12/1953 McInerney ..... 285/150 X
- 3,304,949 2/1967 Baumann ..... 137/270



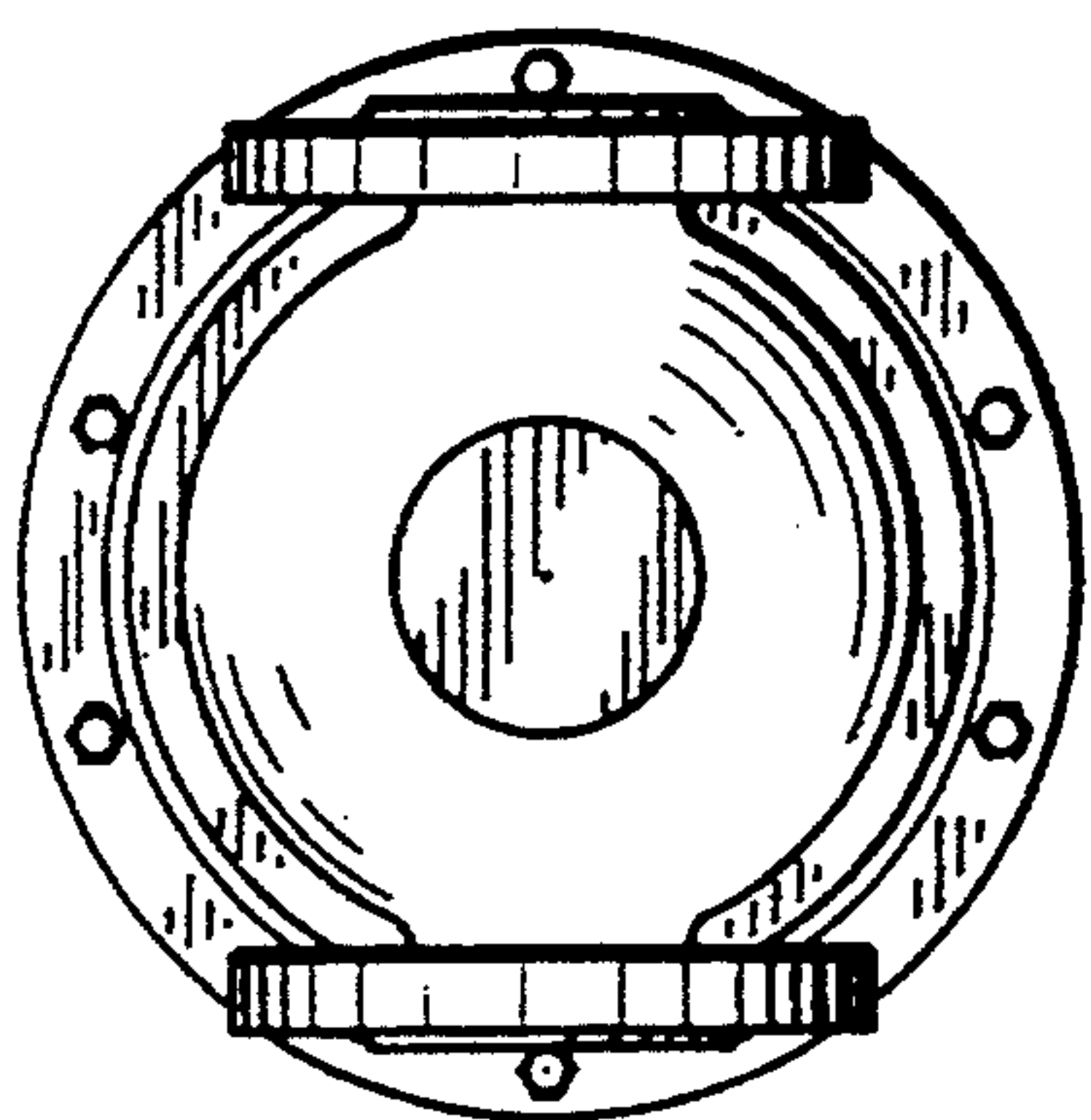
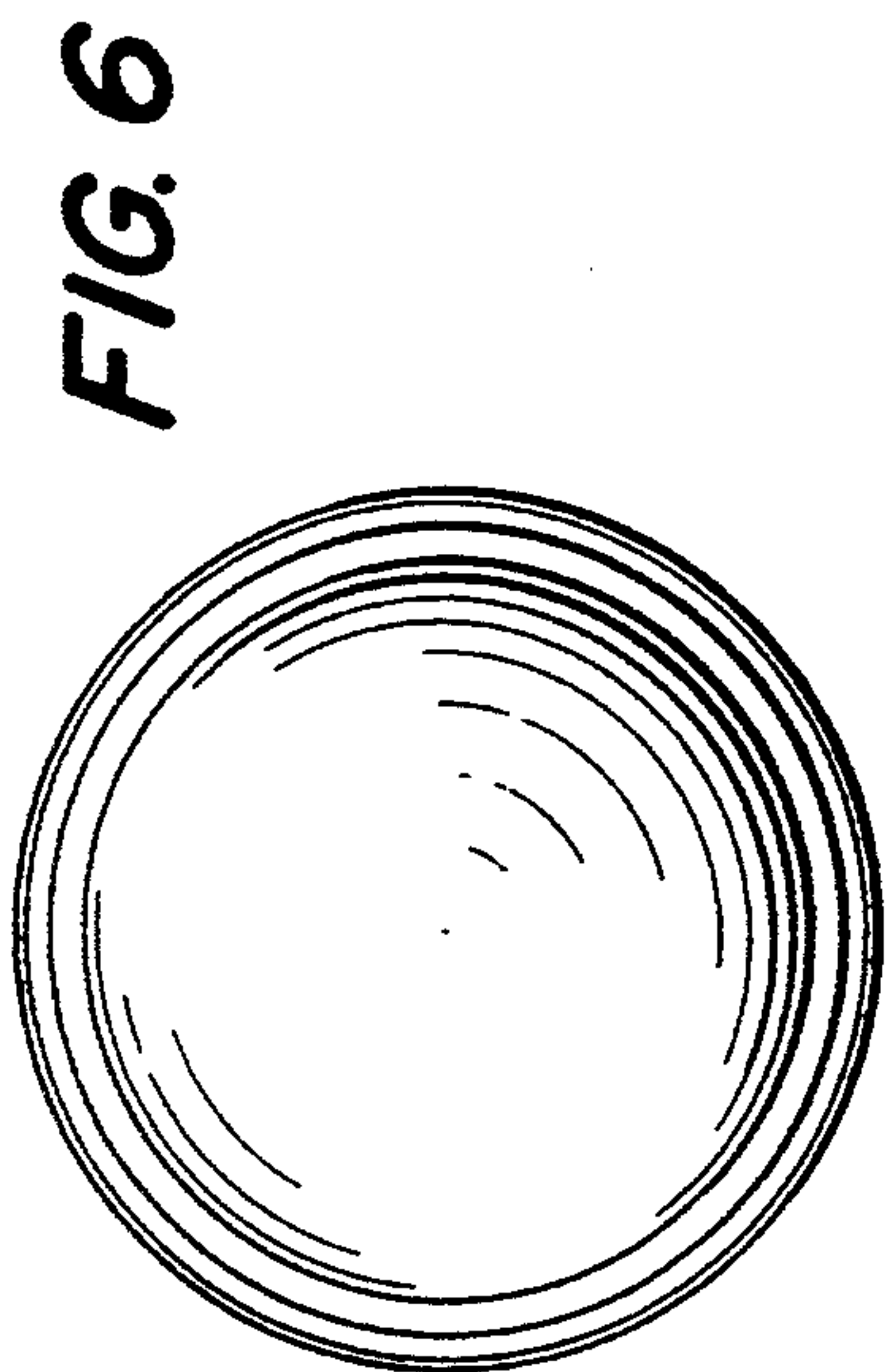


FIG. 5

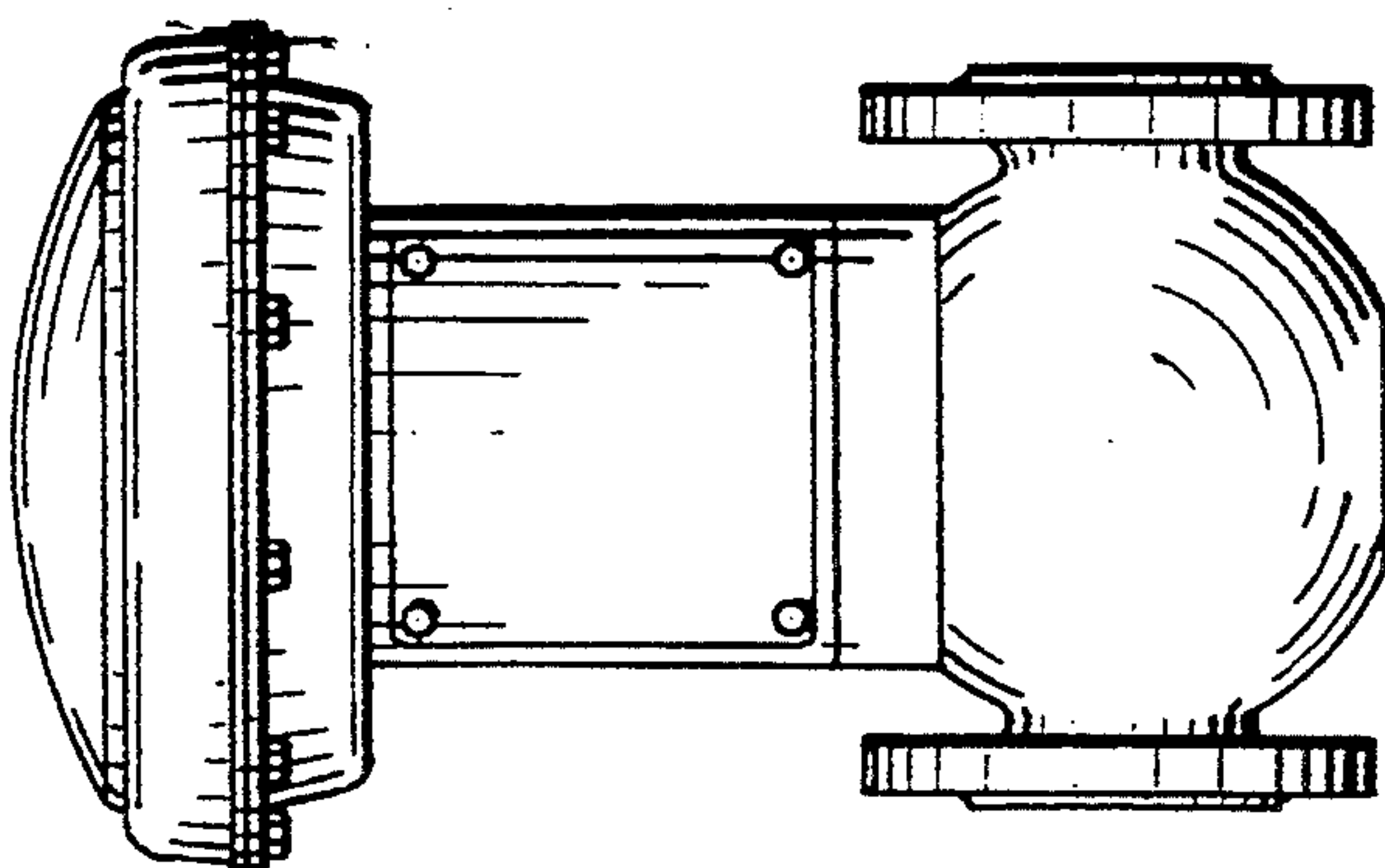


FIG. 4

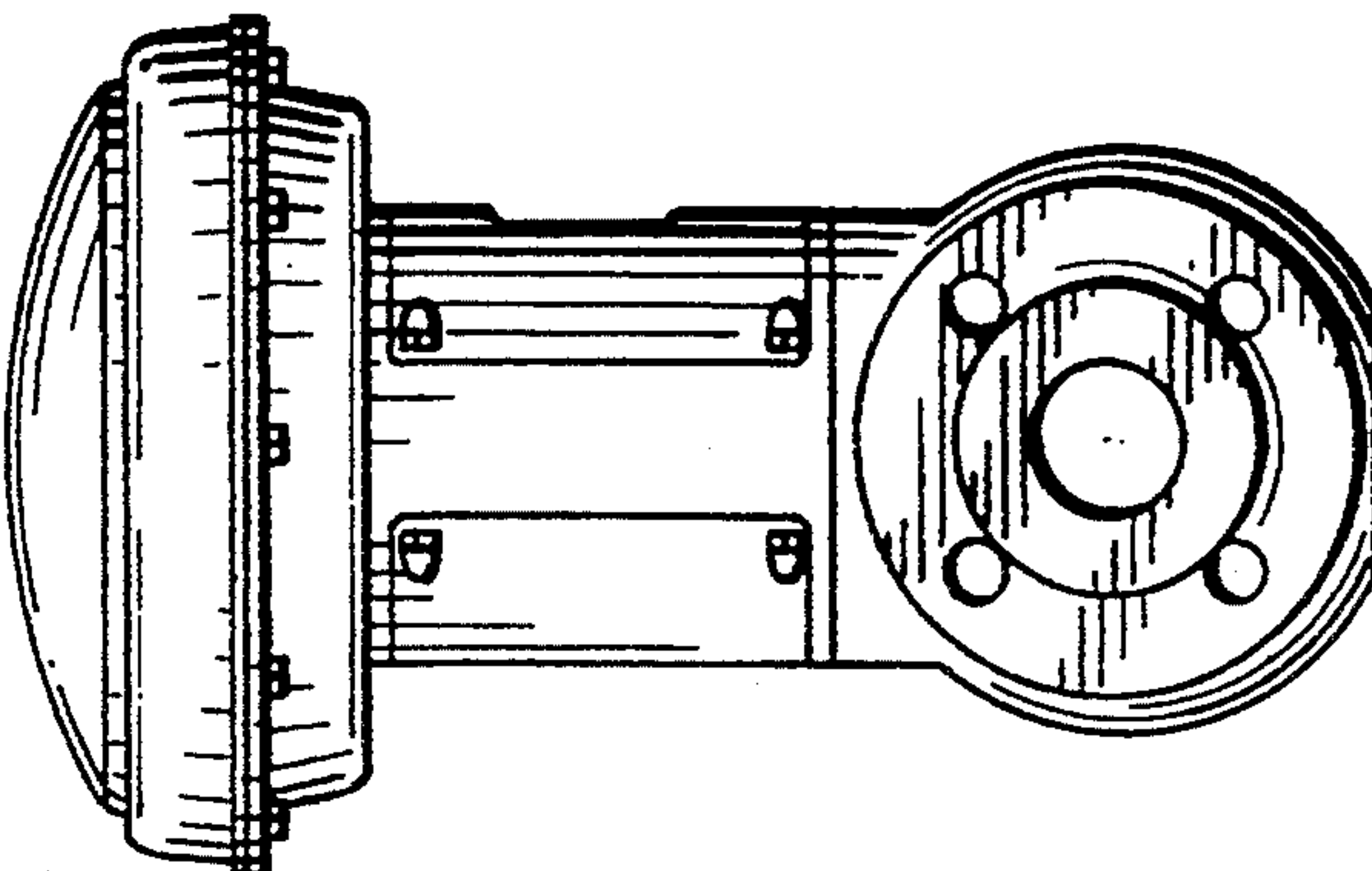


FIG. 3

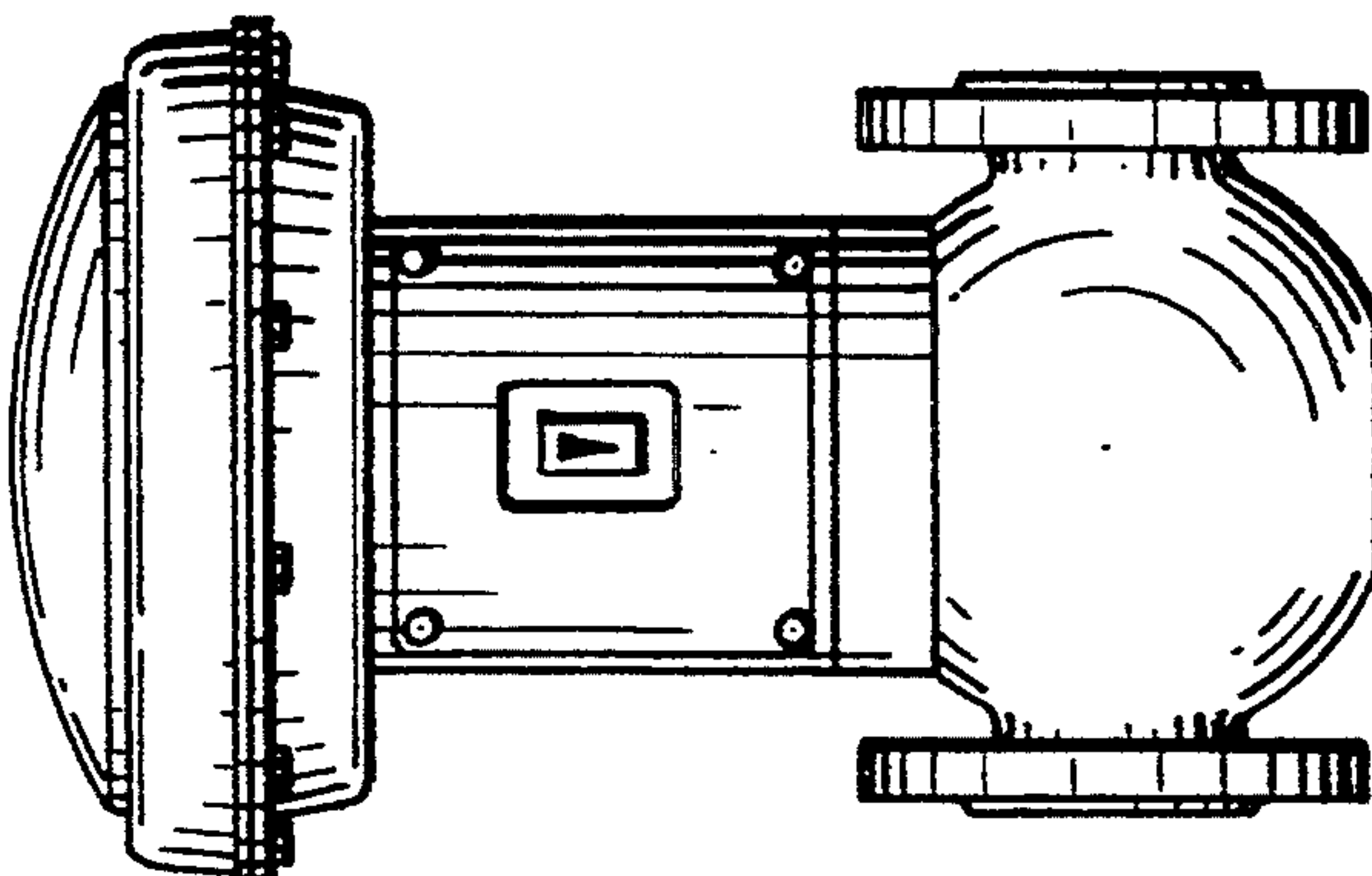


FIG. 2

