



US00D358449S

United States Patent [19]

[11] Patent Number: **Des. 358,449**

Ford

[45] Date of Patent: **** May 16, 1995**

[54] **ROTARY LAWN SPRINKLER**

3,464,628 9/1969 Chow 239/232

[75] Inventor: **Harold H. Ford**, Claremont, Calif.

Primary Examiner—Brian N. Vinson

[73] Assignee: **Arcadia**, San Diego, Calif.

Assistant Examiner—Robin V. Taylor

[**] Term: **14 Years**

Attorney, Agent, or Firm—Kelly, Bauersfeld & Lowry

[21] Appl. No.: **25,219**

[57] **CLAIM**

The ornamental design for a rotary lawn sprinkler, as shown and described.

[22] Filed: **Aug. 2, 1994**

[52] U.S. Cl. **D23/214**

DESCRIPTION

[58] Field of Search **D23/213-217;**
239/222.13, 222.21, 230-233, 225.1, 240-242

FIG. 1 is a top, right and front perspective view of a rotary lawn sprinkler showing my new design;

FIG. 2 is a top plan view thereof;

FIG. 3 is a right side elevational view thereof;

FIG. 4 is a left side elevational view thereof;

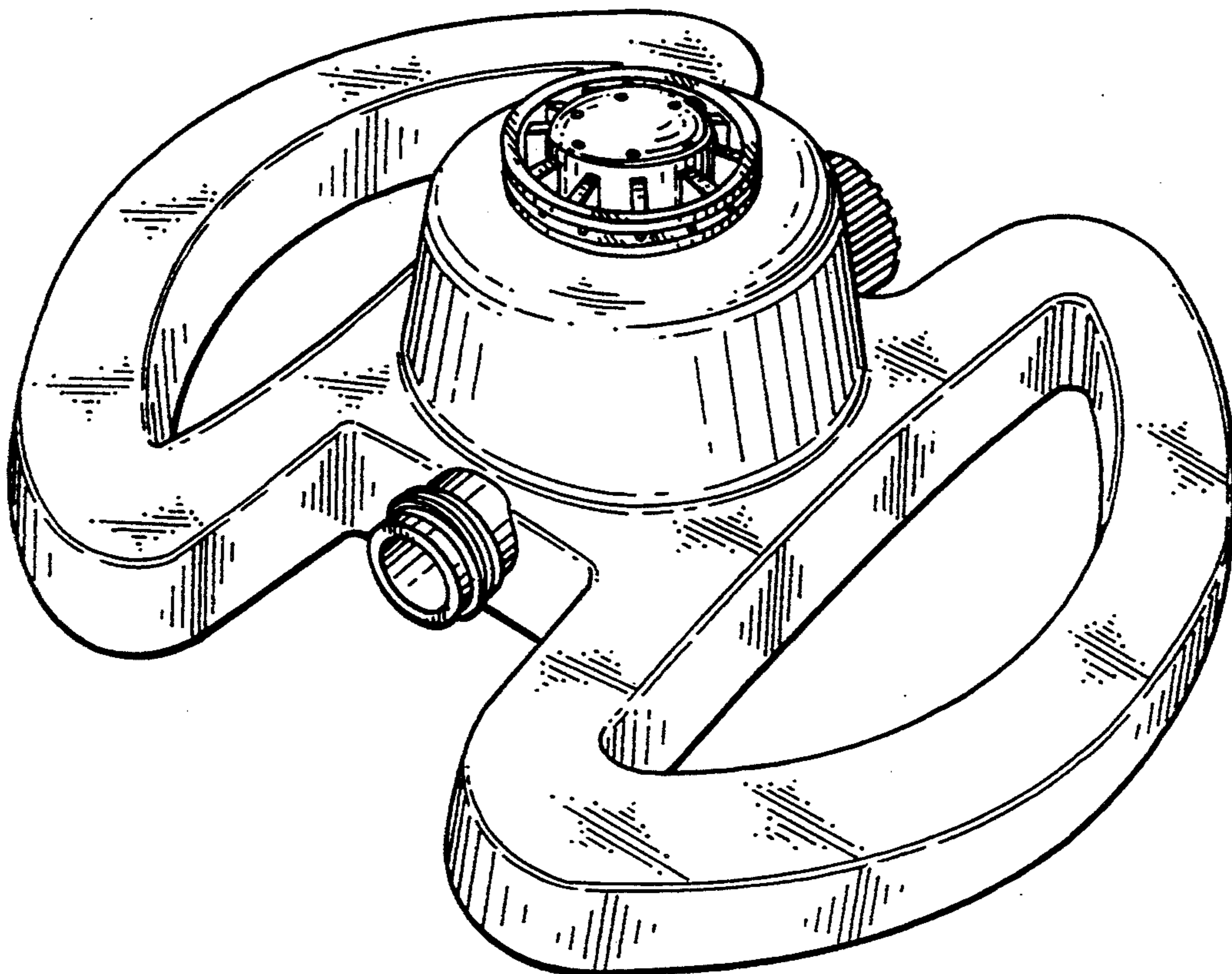
FIG. 5 is a front elevational view thereof; the rear being a mirror image thereof; and,

FIG. 6 is a bottom plan view thereof.

[56] **References Cited**

U.S. PATENT DOCUMENTS

D. 277,778	2/1985	Lemkin	D23/214
1,847,763	3/1932	Keys	239/230
2,063,381	12/1936	Holland	D23/214



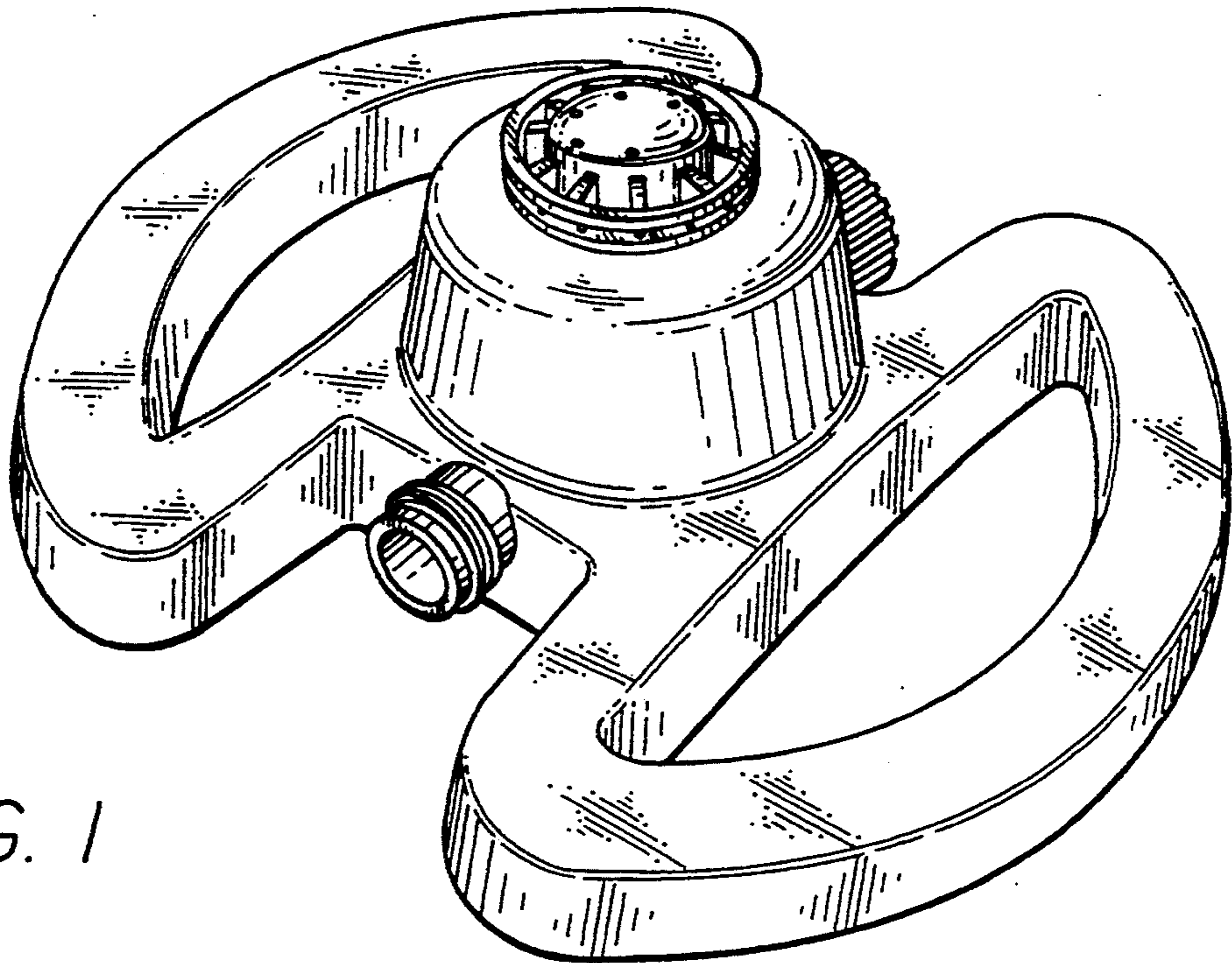
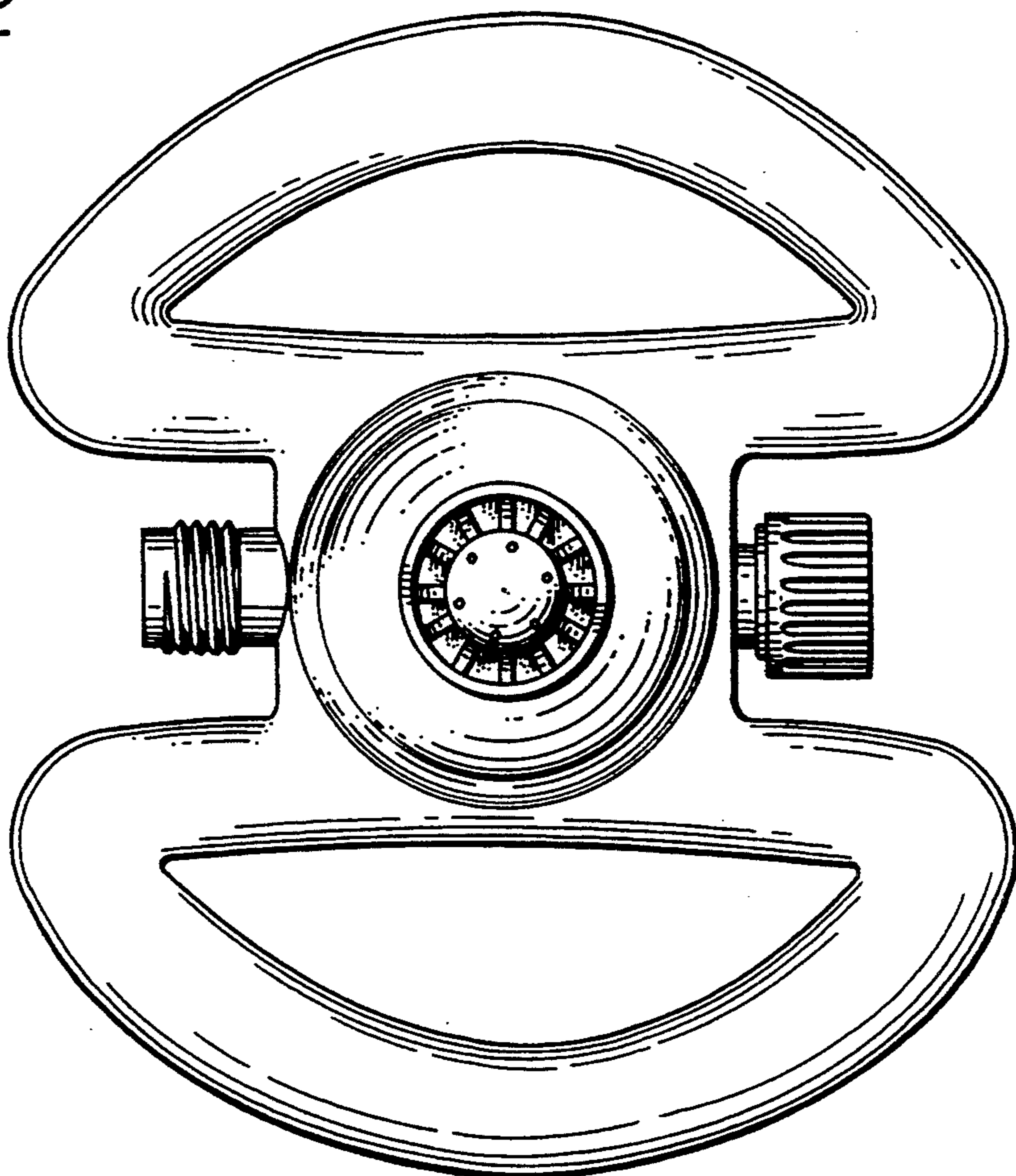


FIG. 1

FIG. 2



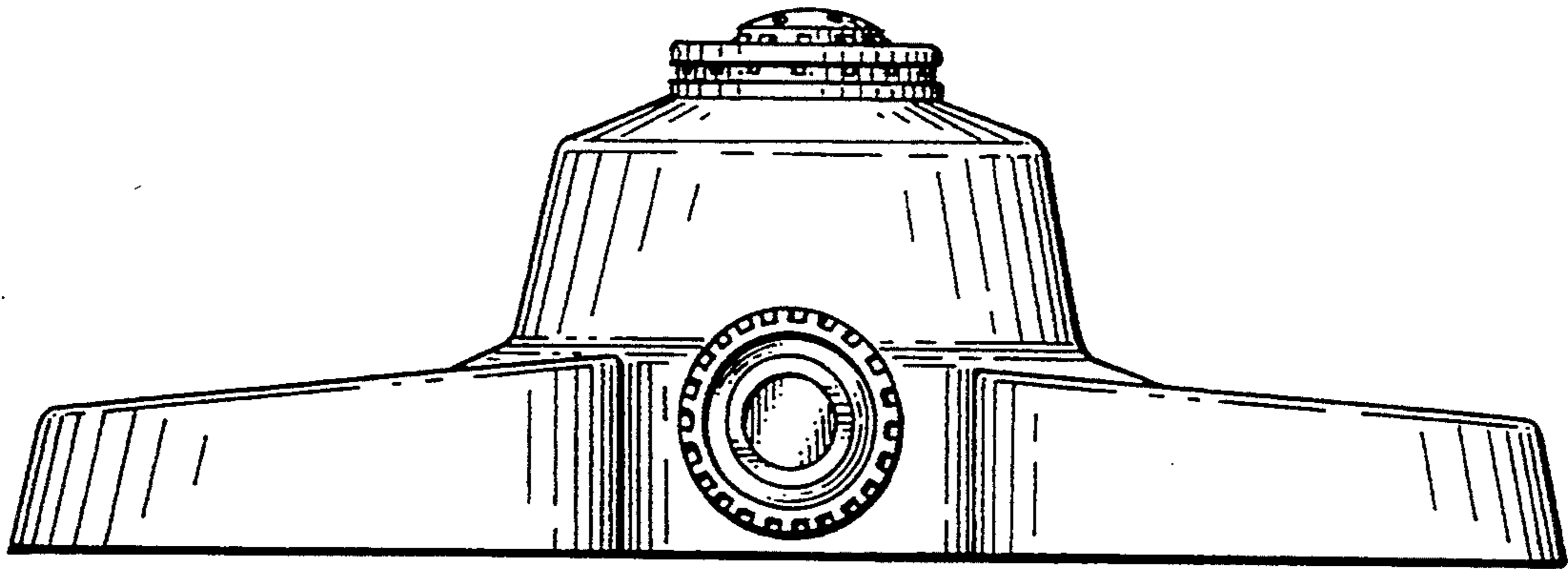


FIG. 3

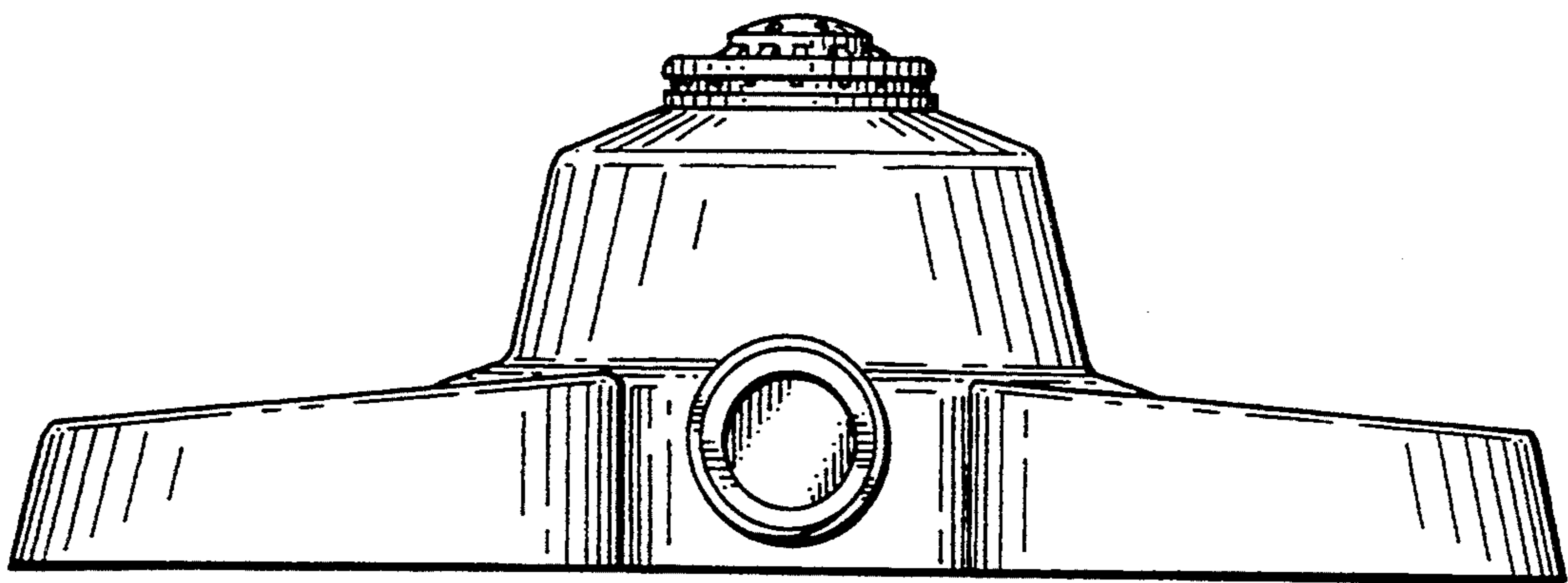


FIG. 4

FIG. 5

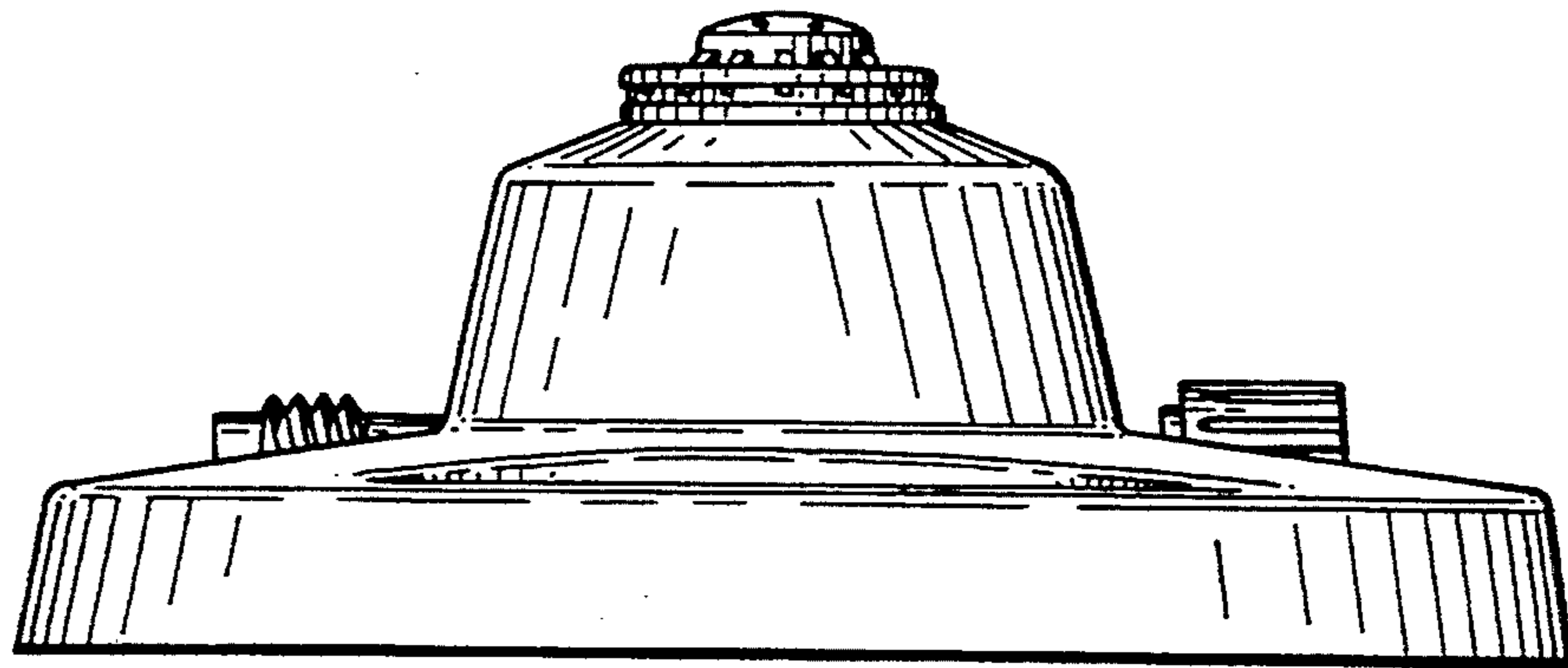


FIG. 6

