



US00D358448S

United States Patent [19]
Paoli

[11] **Patent Number: Des. 358,448**

[45] **Date of Patent: ** May 16, 1995**

[54] **FLOW CELL FOR LABORATORY
TURBIDIMETER**

[75] **Inventor: Ernie R. Paoli, Loveland, Colo.**

[73] **Assignee: Hach Company, Loveland, Colo.**

[**] **Term: 14 Years**

[21] **Appl. No.: 16,929**

[22] **Filed: Dec. 29, 1993**

[52] **U.S. Cl. D23/200; D23/207**

[58] **Field of Search D23/200-213;
210/DIG. 4, 97, 139, 169, 193, 198.1, 200, 205,
206, 209, 211, 212, 222, 223, 231, 242.1, 243,
244, 245, 246, 257.1, 257.2, 198.2; 422/70;
356/246, 410; 250/576, 343, 373, 461.1**

[56] **References Cited**

U.S. PATENT DOCUMENTS

3,286,583 11/1966 Ferrari 250/576 X
3,518,009 6/1970 Shamos et al. 356/410

3,529,896 9/1970 Padawer 356/410
3,647,304 2/1972 Emmel et al. 356/246
4,175,233 11/1979 DePalma et al. 250/343
4,989,974 2/1991 Anton et al. 250/576 X

Primary Examiner—A. Hugo Word
Assistant Examiner—Monica A. Hannon
Attorney, Agent, or Firm—Dean P. Edmundson

[57] **CLAIM**

The ornamental design for a flow cell for a laboratory turbidimeter, as shown.

DESCRIPTION

FIG. 1 is a perspective view of a flow cell for laboratory turbidimeter showing my new design; FIG. 2 is a front elevational view thereof; FIG. 3 is a rear elevational view thereof; FIG. 4 is a left side elevational view thereof; FIG. 5 is a right side elevational view thereof; FIG. 6 is a top plan view thereof; and, FIG. 7 is a bottom plan view thereof.

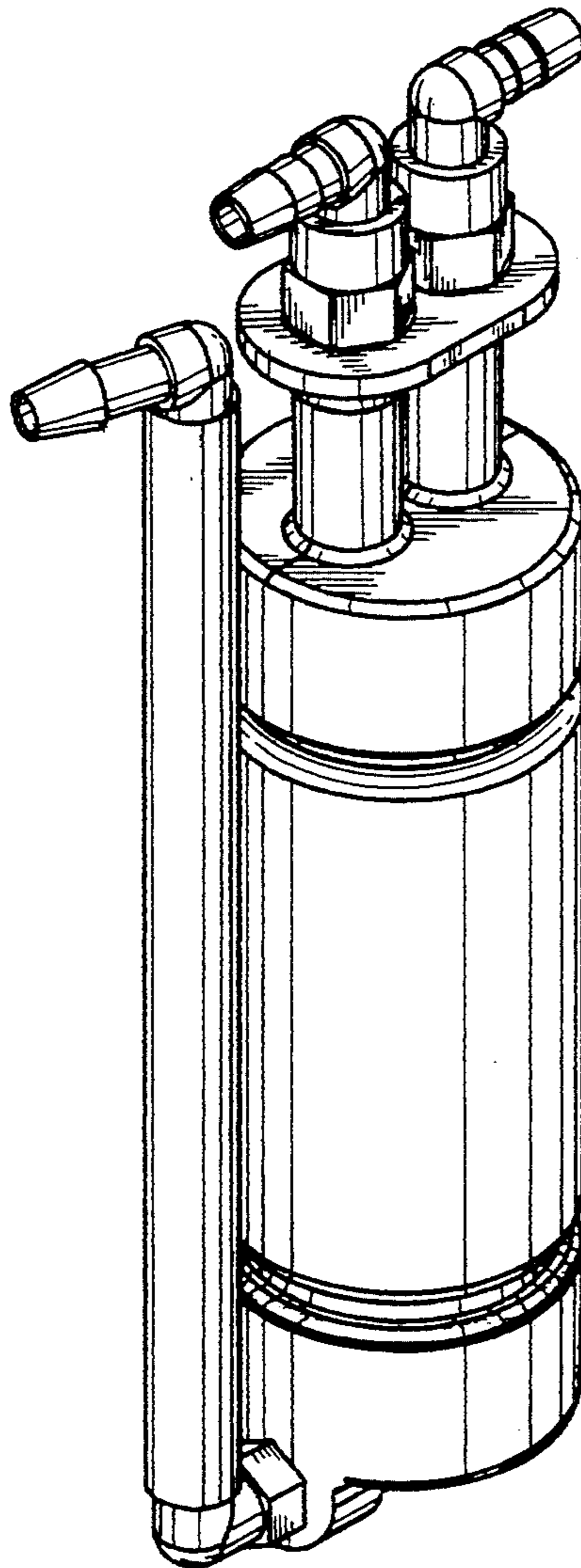


FIG. 1

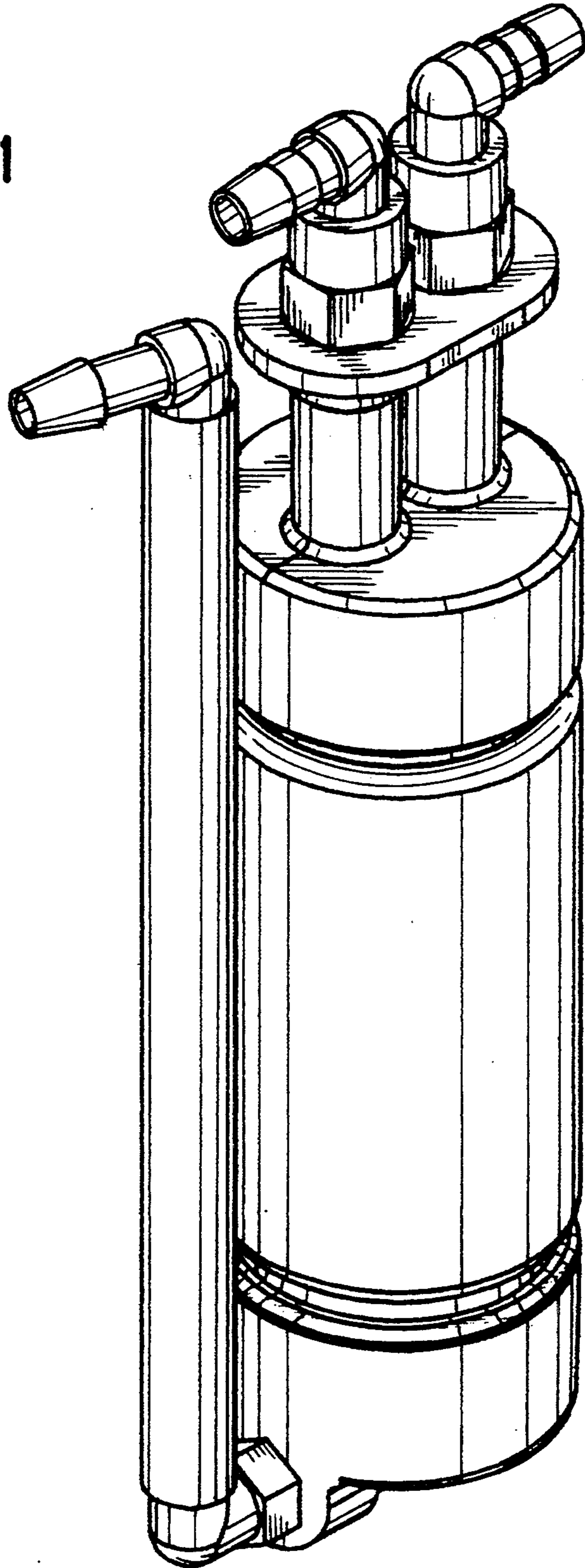


FIG. 2

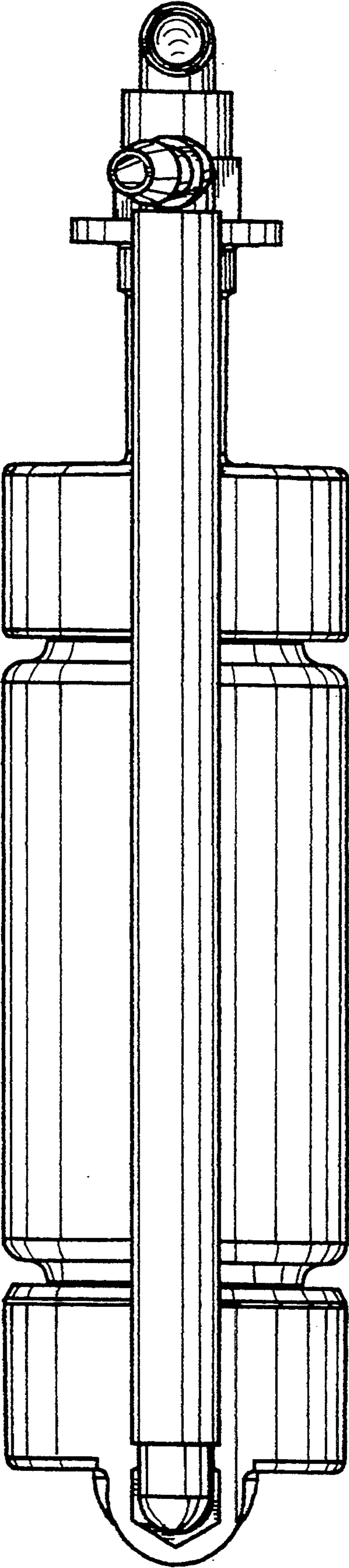


FIG. 3

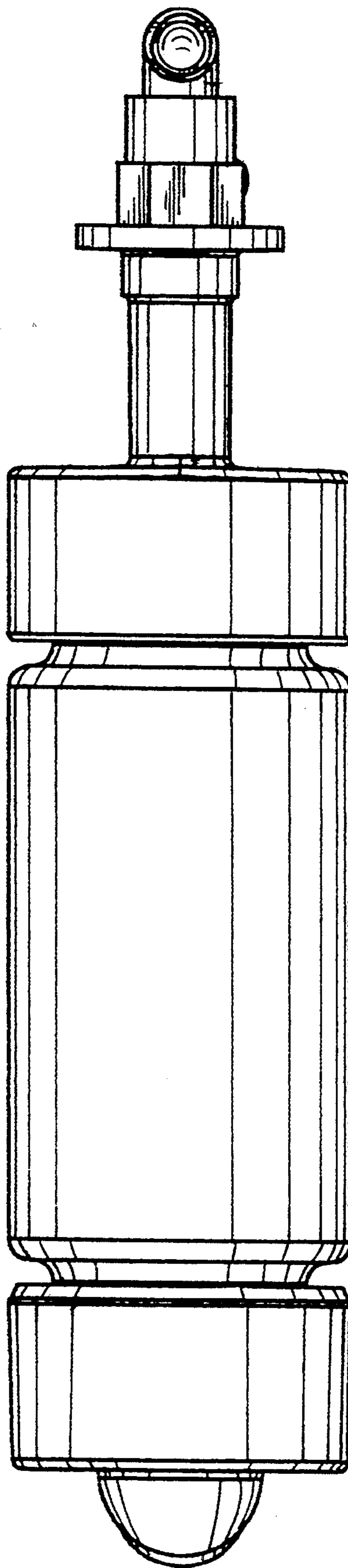


FIG. 4

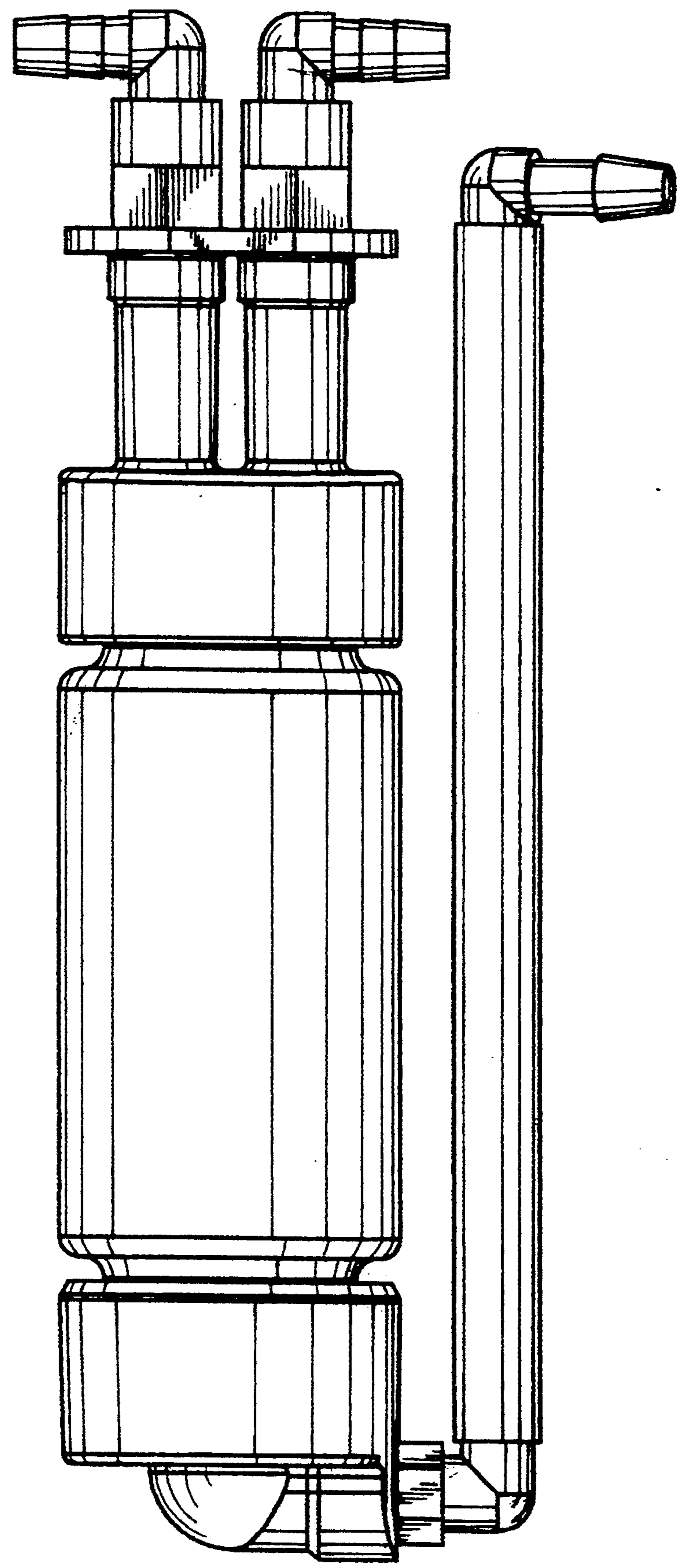


FIG. 5

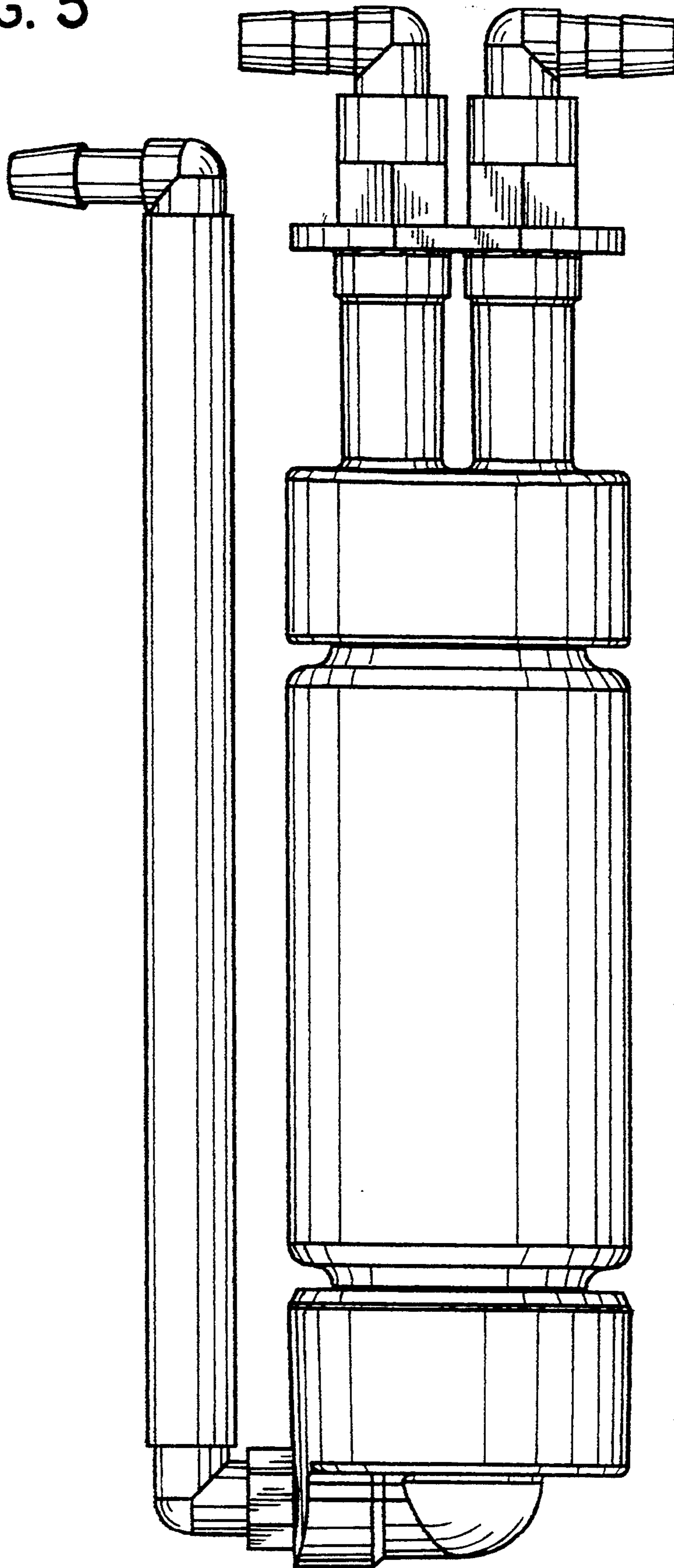


FIG. 6

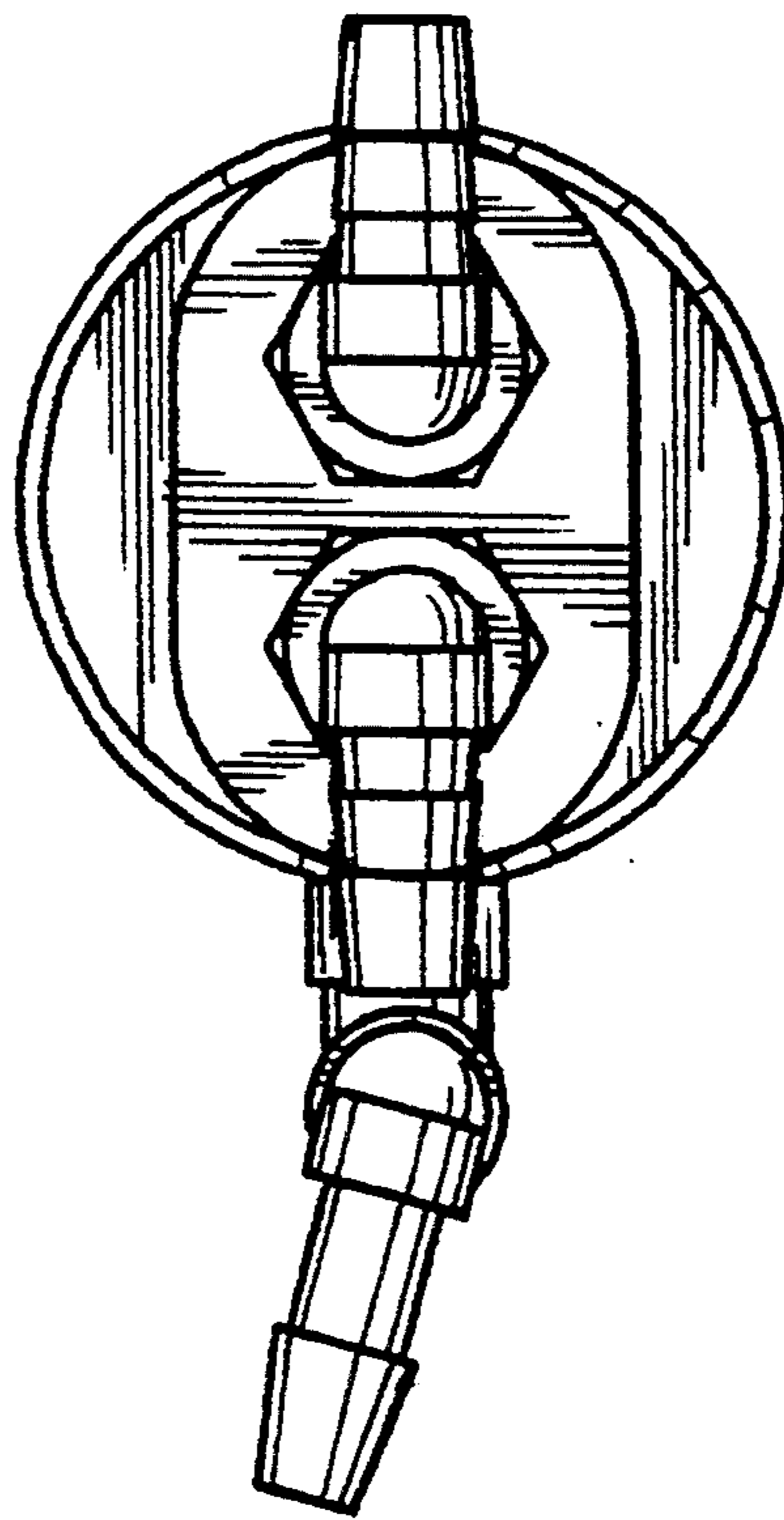


FIG. 7

