



US00D358447S

# United States Patent [19] Robbins

[11] Patent Number: Des. 358,447

[45] Date of Patent: \*\* May 16, 1995

[54] FISHING REEL

[75] Inventor: Jack Robbins, Derby, Kans.

[73] Assignee: Zebco Corporation, Tulsa, Okla.

[\*\*] Term: 14 Years

[21] Appl. No.: 10,869

[22] Filed: Jul. 20, 1993

[52] U.S. Cl. .... D22/141

[58] Field of Search ..... D22/141; 242/230-232,  
242/235, 242-246

4,722,491 2/1988 Myojo .

### FOREIGN PATENT DOCUMENTS

52-69786 6/1977 Japan .

769532 3/1957 United Kingdom .

*Primary Examiner*—A. Hugo Word

*Assistant Examiner*—Doris V. Coles

*Attorney, Agent, or Firm*—Wood, Phillips, VanSanten,

Clark & Mortimer

### [57] CLAIM

The ornamental design of a fishing reel, as shown and described.

### [56] References Cited

#### U.S. PATENT DOCUMENTS

D. 269,798	7/1983	Fee et al. ....	D22/141
D. 273,219	3/1984	Iinuma ....	D22/141
D. 273,973	5/1984	Mack ....	D22/141
D. 295,775	5/1988	Kameda ....	D22/141
D. 315,390	3/1991	Peterson ....	D22/141
2,776,803	1/1957	Shakespeare et al. ....	242/84.4
2,919,077	12/1959	Underwood et al. ....	242/235
2,932,465	4/1960	Johnson .	
2,979,281	4/1961	Shafer .	
4,353,514	10/1982	Neufeld ....	D22/141 X

### DESCRIPTION

FIG. 1 is a left side elevation view of a fishing reel, showing my new design—the broken line showing of part of a fishing rod and line is for illustrative purposes only and forms no part of claimed design; FIG. 2 is a left side elevation view thereof; FIG. 3 is a front elevation view thereof; FIG. 4 is a right side elevation view thereof; FIG. 5 is a rear elevation view thereof; FIG. 6 is a plan view thereof; and, FIG. 7 is a bottom view thereof.

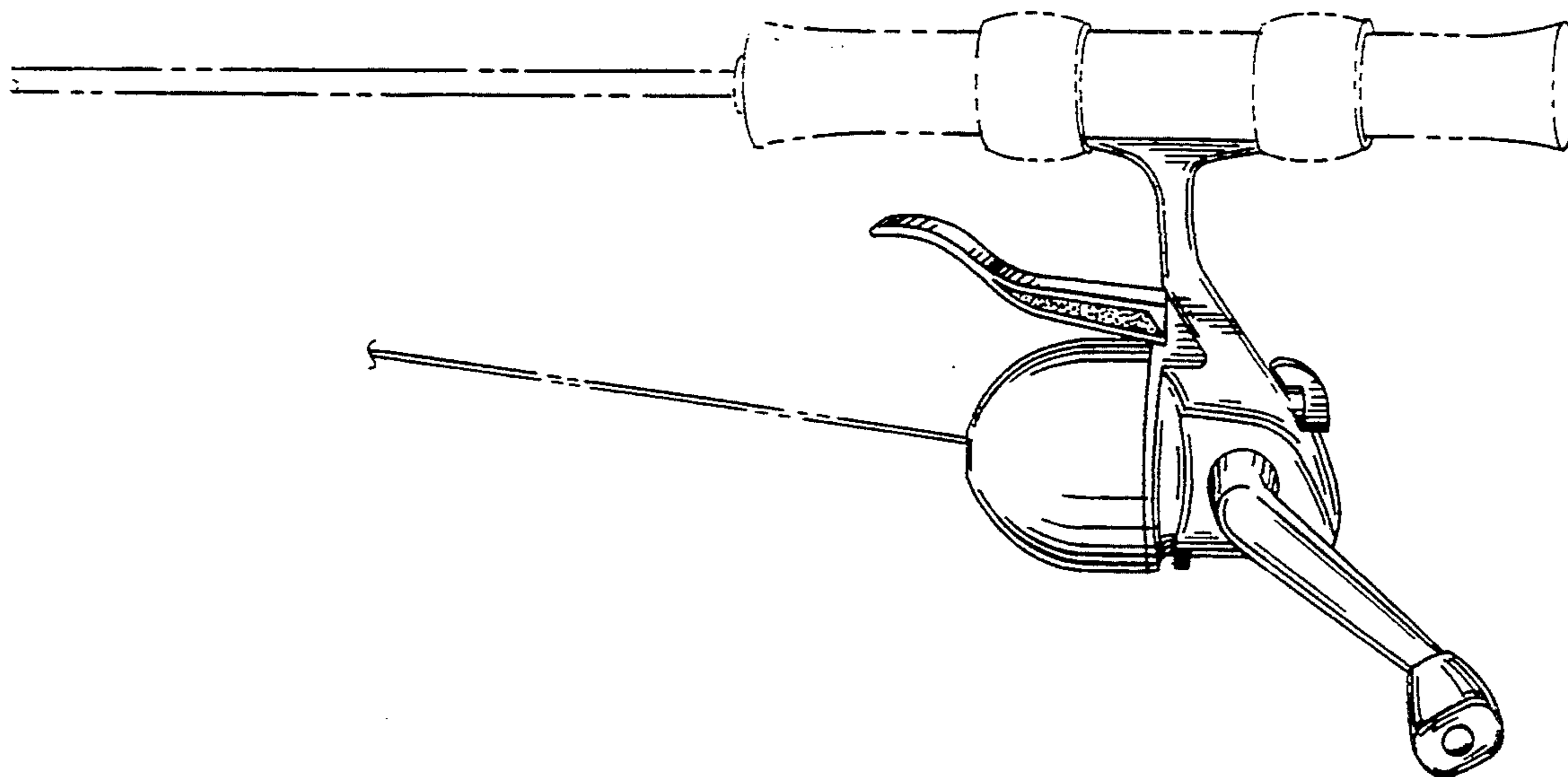


FIG. 1

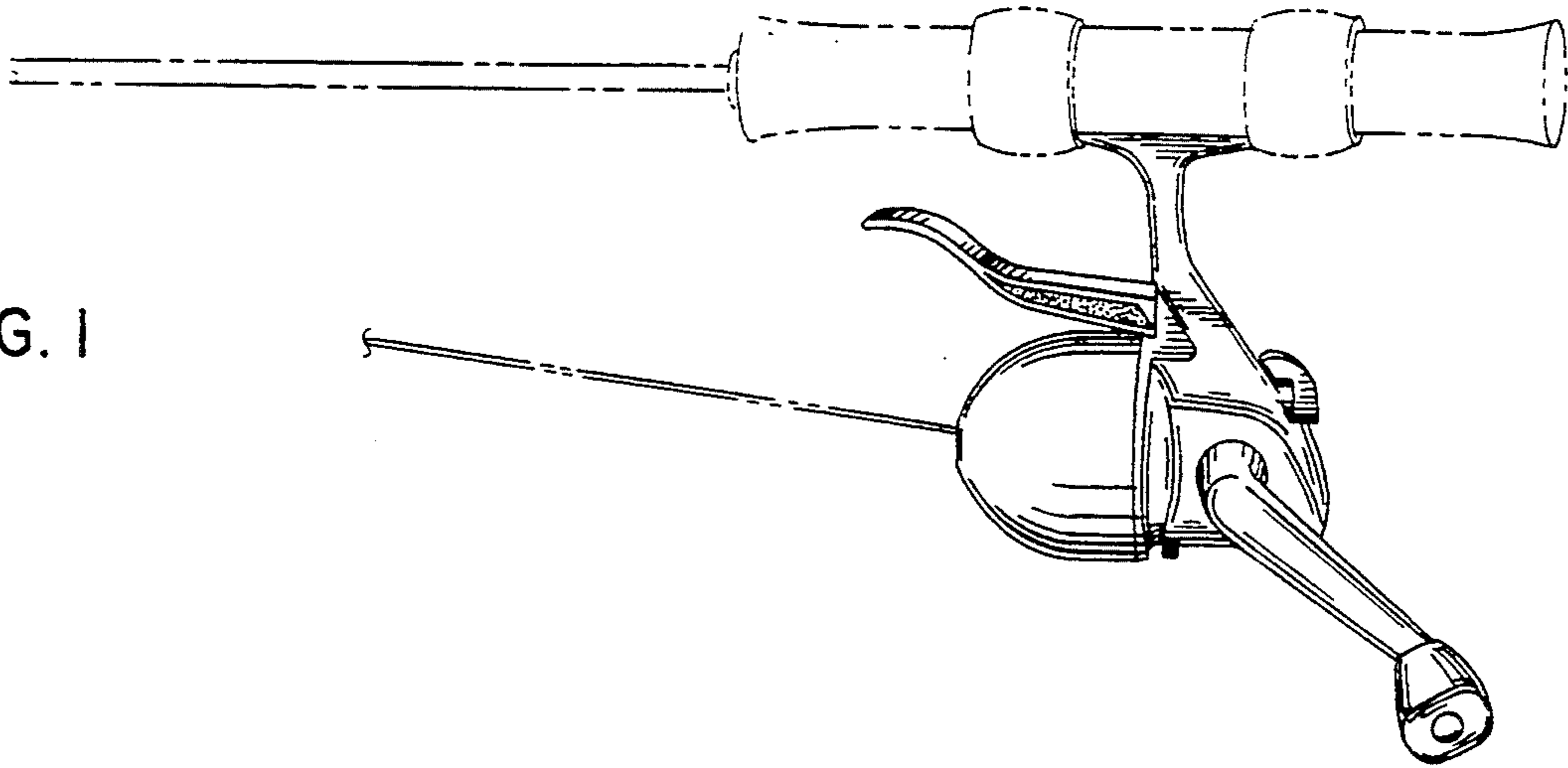


FIG. 2

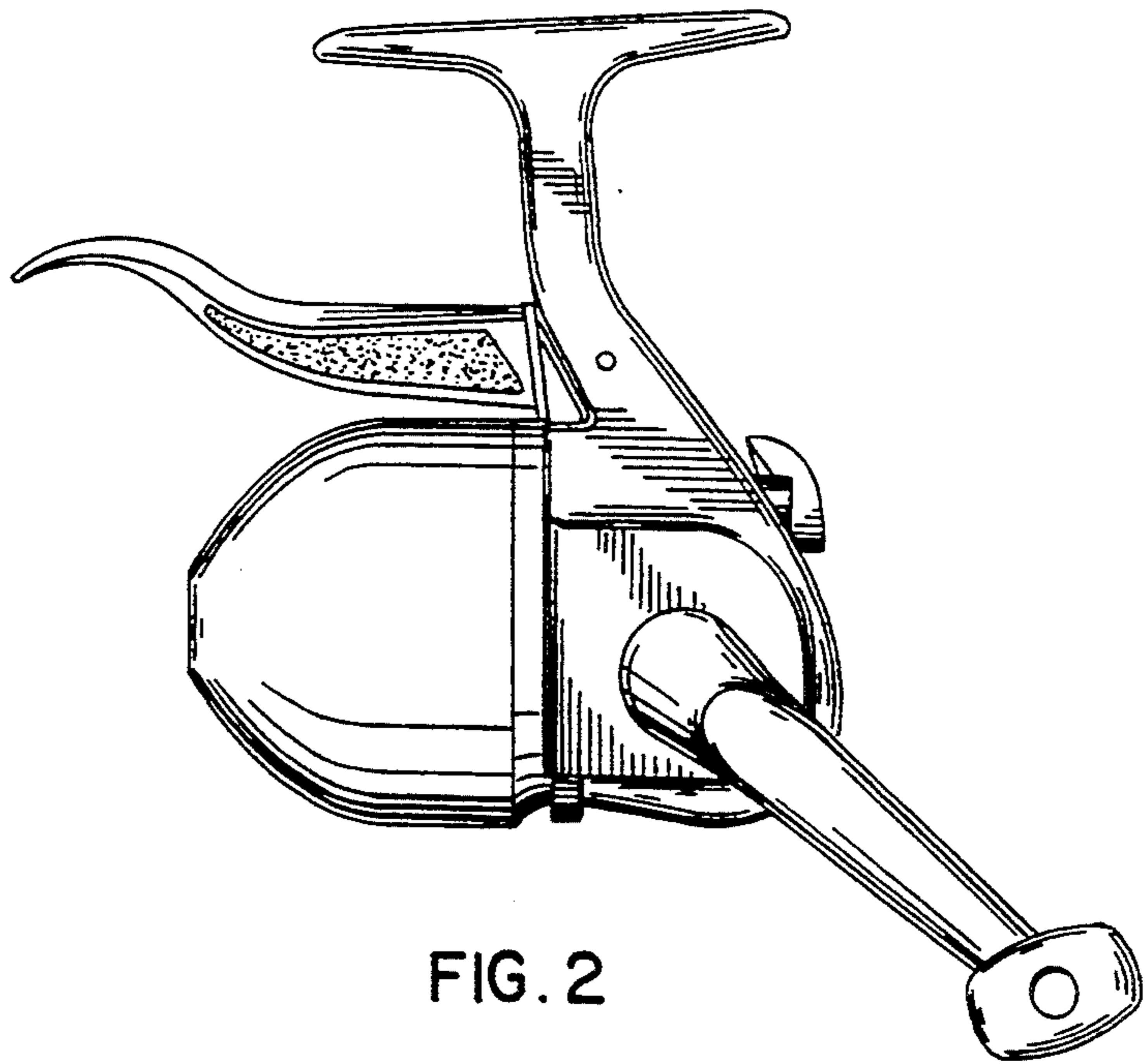


FIG. 3



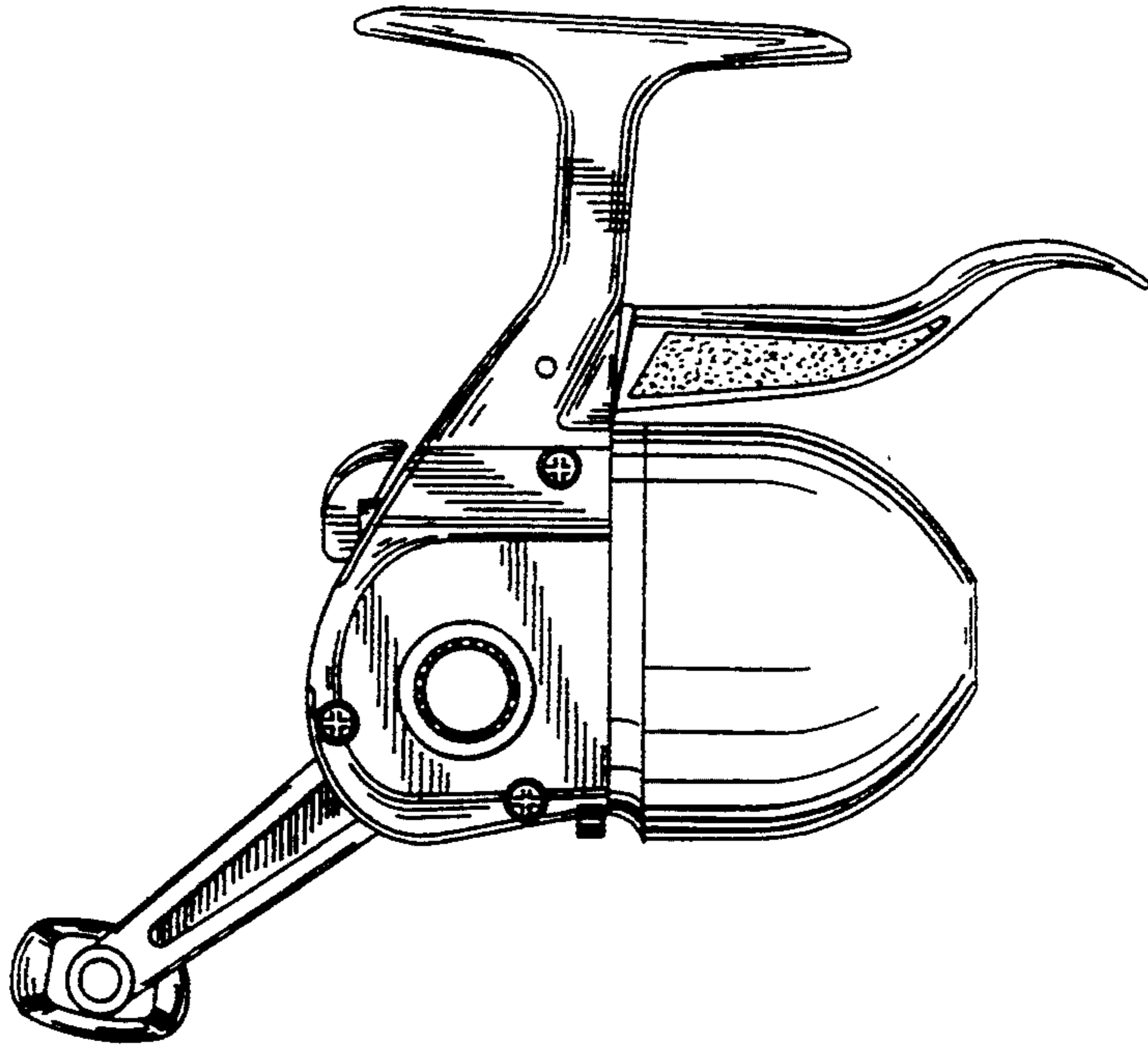


FIG. 4

FIG. 5

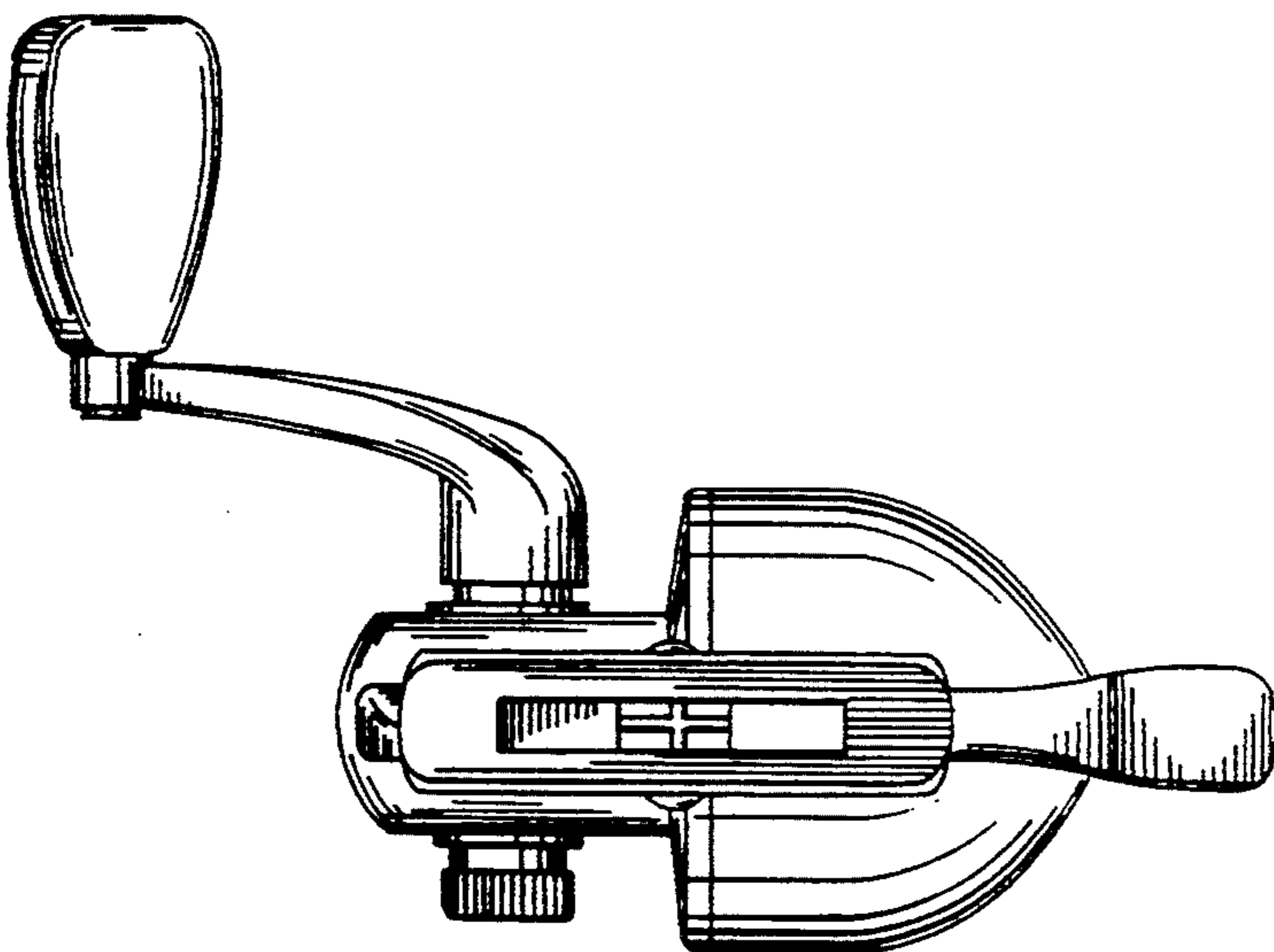
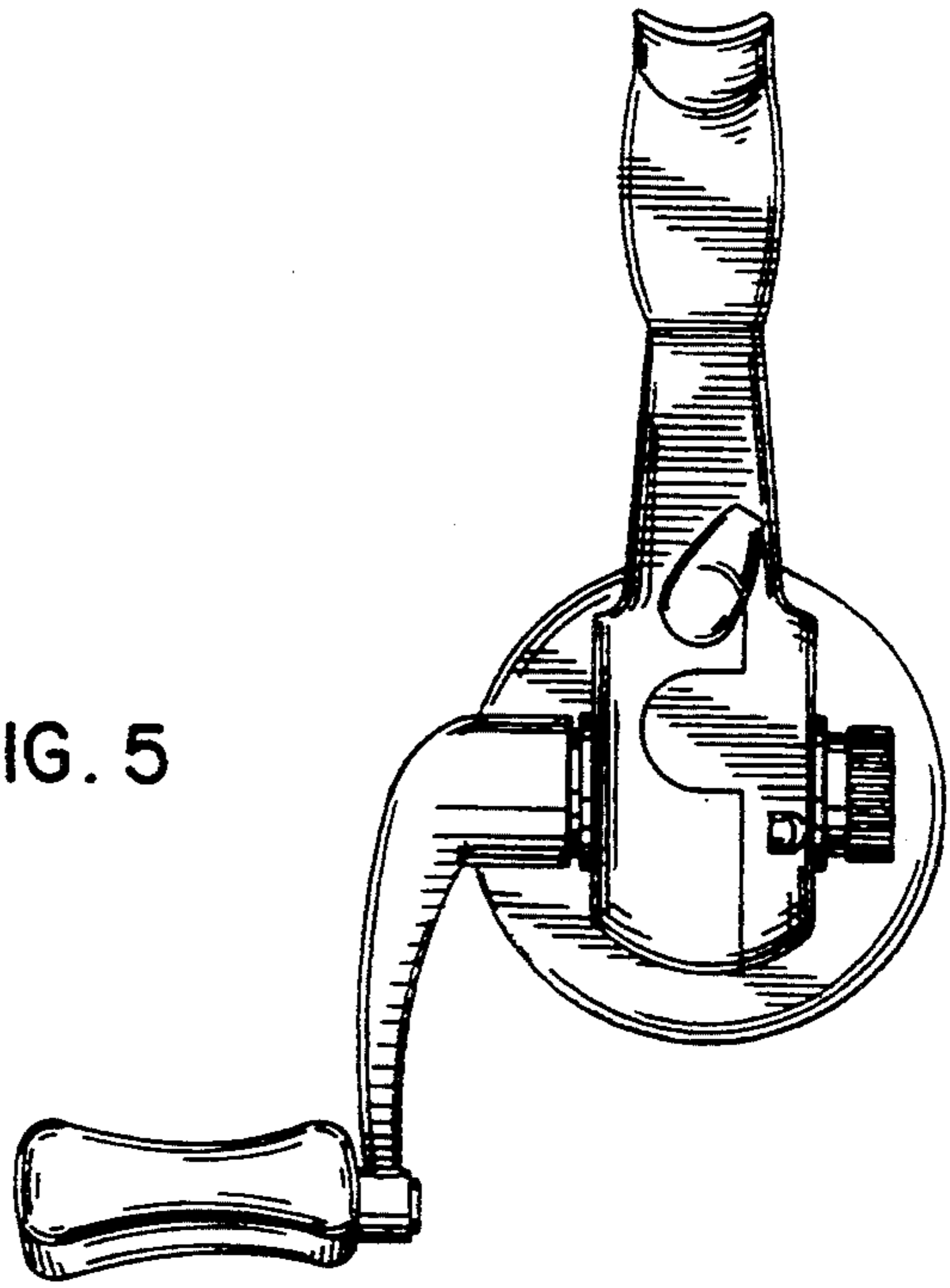


FIG. 6

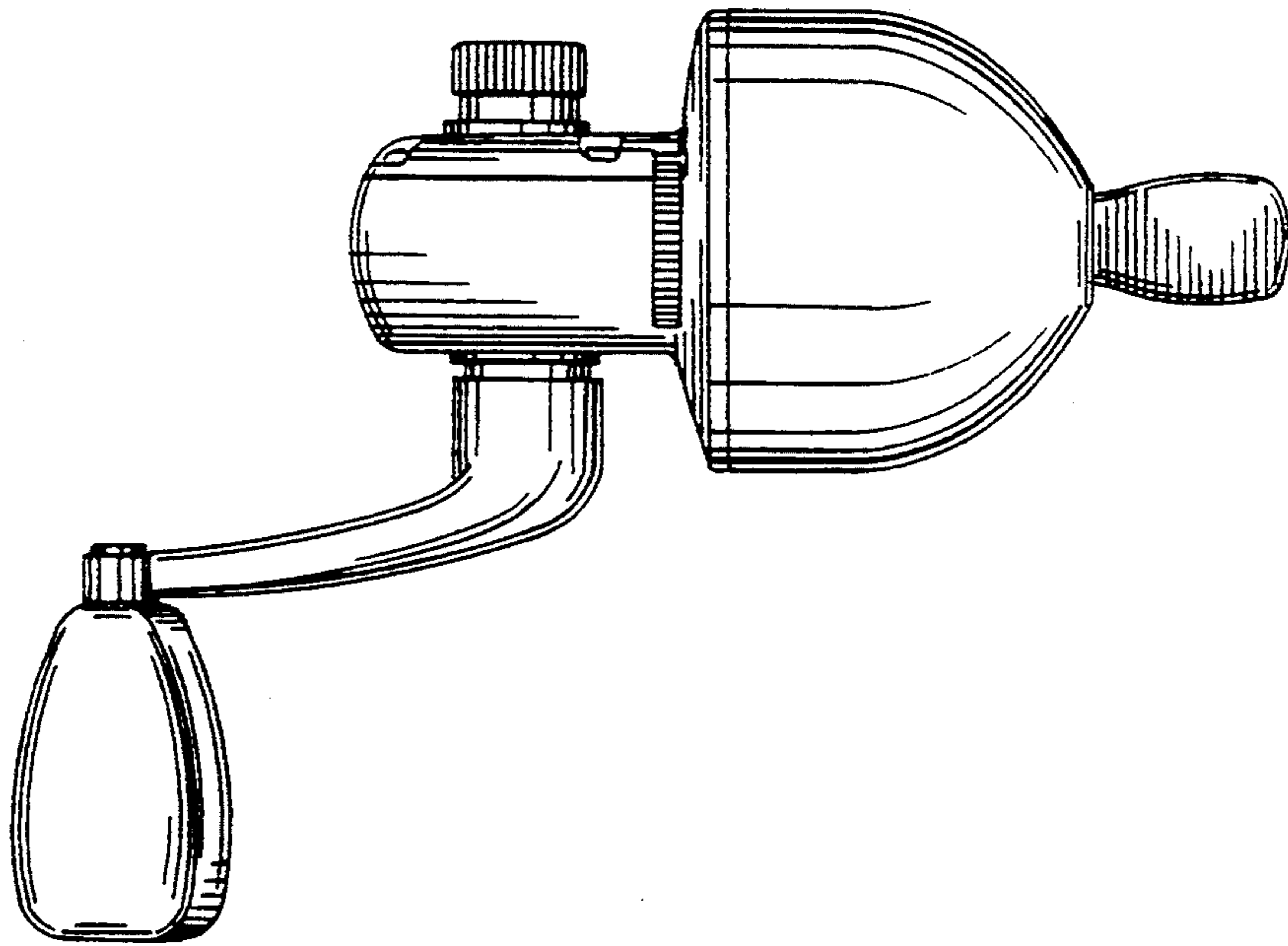


FIG. 7