



US00D358445S

United States Patent [19]

[11] Patent Number: Des. 358,445

Riddle, Jr.

[45] Date of Patent: ** May 16, 1995

- [54] ADJUSTABLE ARCHERY SIGHT
- [76] Inventor: Fred A. Riddle, Jr., 22 C.R. 5324
NBU 3025, Farmington, N. Mex.
87401
- [**] Term: 14 Years
- [21] Appl. No.: 10,101
- [22] Filed: Jun. 29, 1993
- [52] U.S. Cl. D22/107
- [58] Field of Search D22/107, 115; 33/265;
124/23.1, 24.1, 24 R, 41.1, 44.5, 87, 88

Assistant Examiner—Catherine R. Oliver
Attorney, Agent, or Firm—David L. Baker; Rhodes & Ascolillo

[57] CLAIM

The ornamental design for an adjustable archery sight, as shown.

DESCRIPTION

FIG. 1 is a bottom plan view of an adjustable archery sight showing my new design therefor. The broken line drawing depicting a bow with the device mounted to it is for purposes of illustration only and forms no part of my design;

FIG. 2 is a top plan view. The broken line drawings representing screws and pins are for purposes of illustration and are not inclusive in my design;

FIG. 3 is a left side elevational view;

FIG. 4 is a front elevational view;

FIG. 5 is a top plan view;

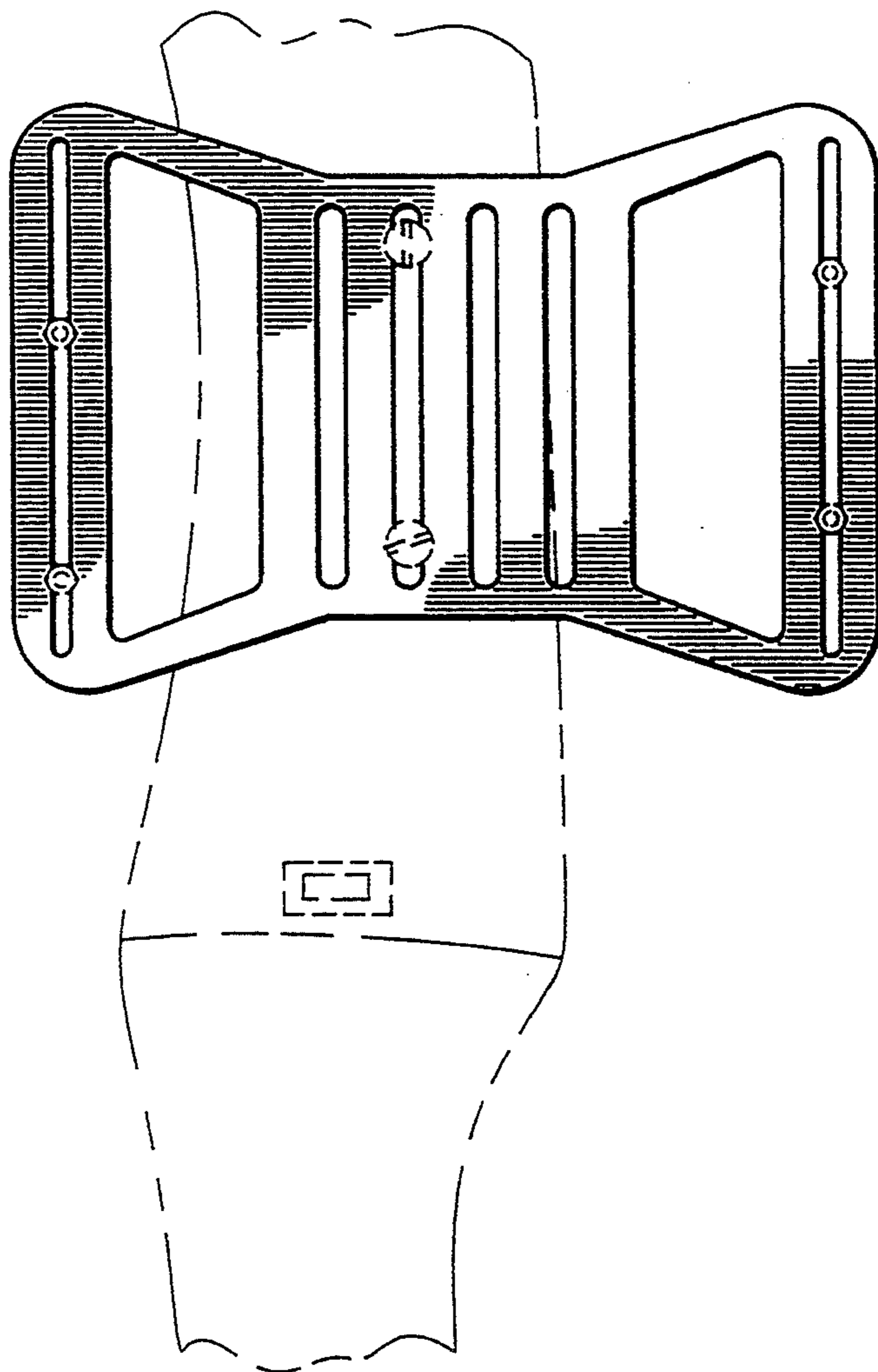
FIG. 6 is a right side elevational view;

FIG. 7 is a rear elevational view; and,

FIG. 8 is a bottom plan view.

- [56] **References Cited**
- U.S. PATENT DOCUMENTS**
- 4,120,096 10/1978 Keller 33/265
- 4,542,591 9/1985 Montgomery 33/265
- 4,660,536 4/1987 McPherson 124/24.1 X
- 4,669,194 6/1987 Amacker 124/87 X
- 4,884,347 12/1989 Larson 124/87 X
- 4,974,328 12/1990 Lowry 124/87 X

Primary Examiner—A. Hugo Word



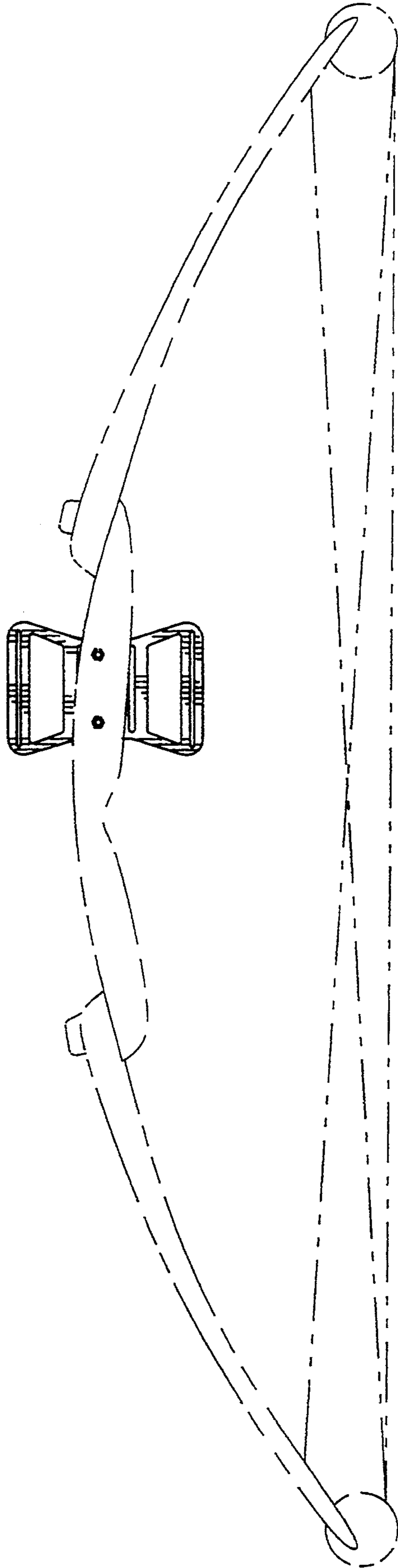
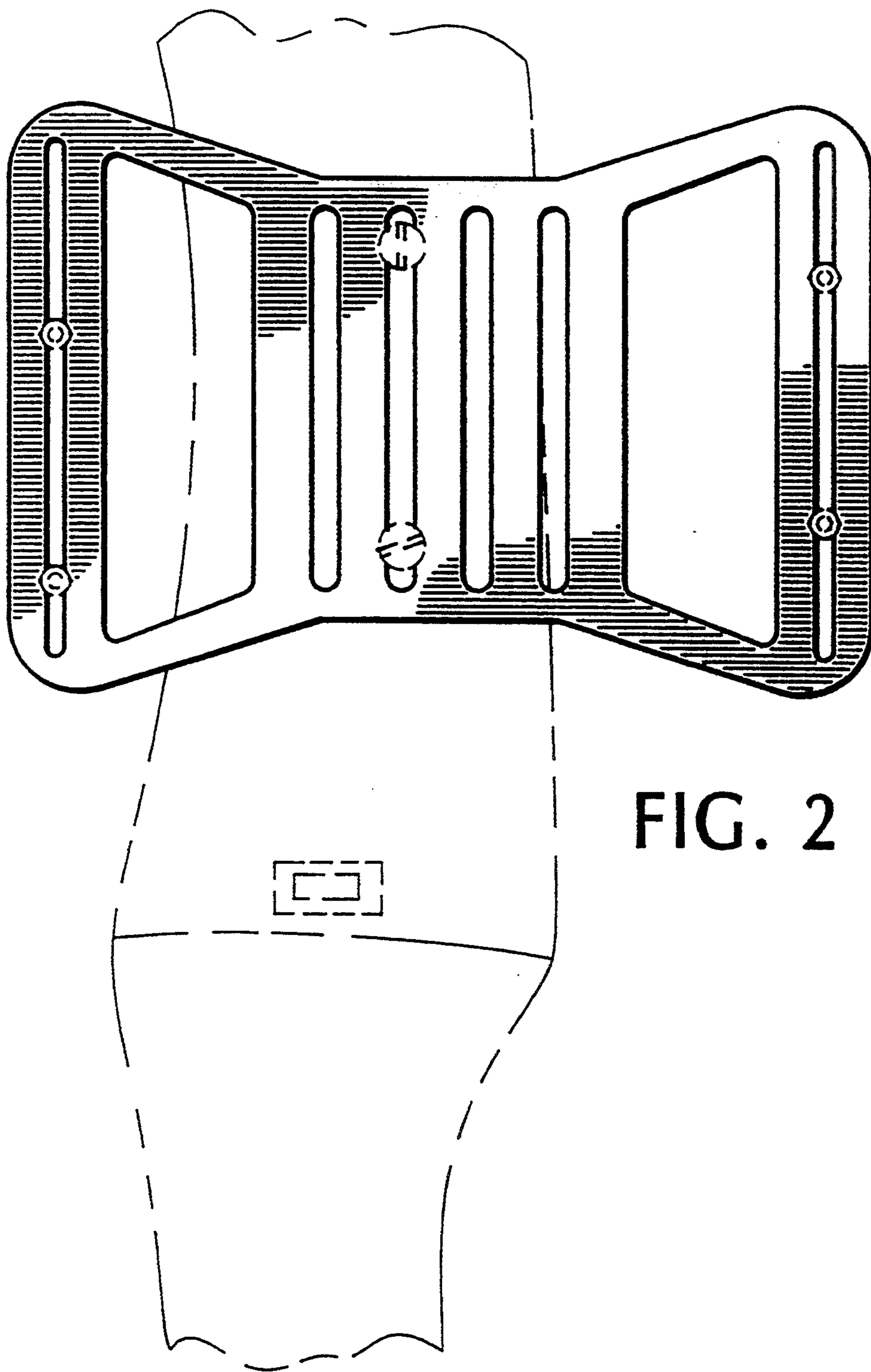


FIG. 1



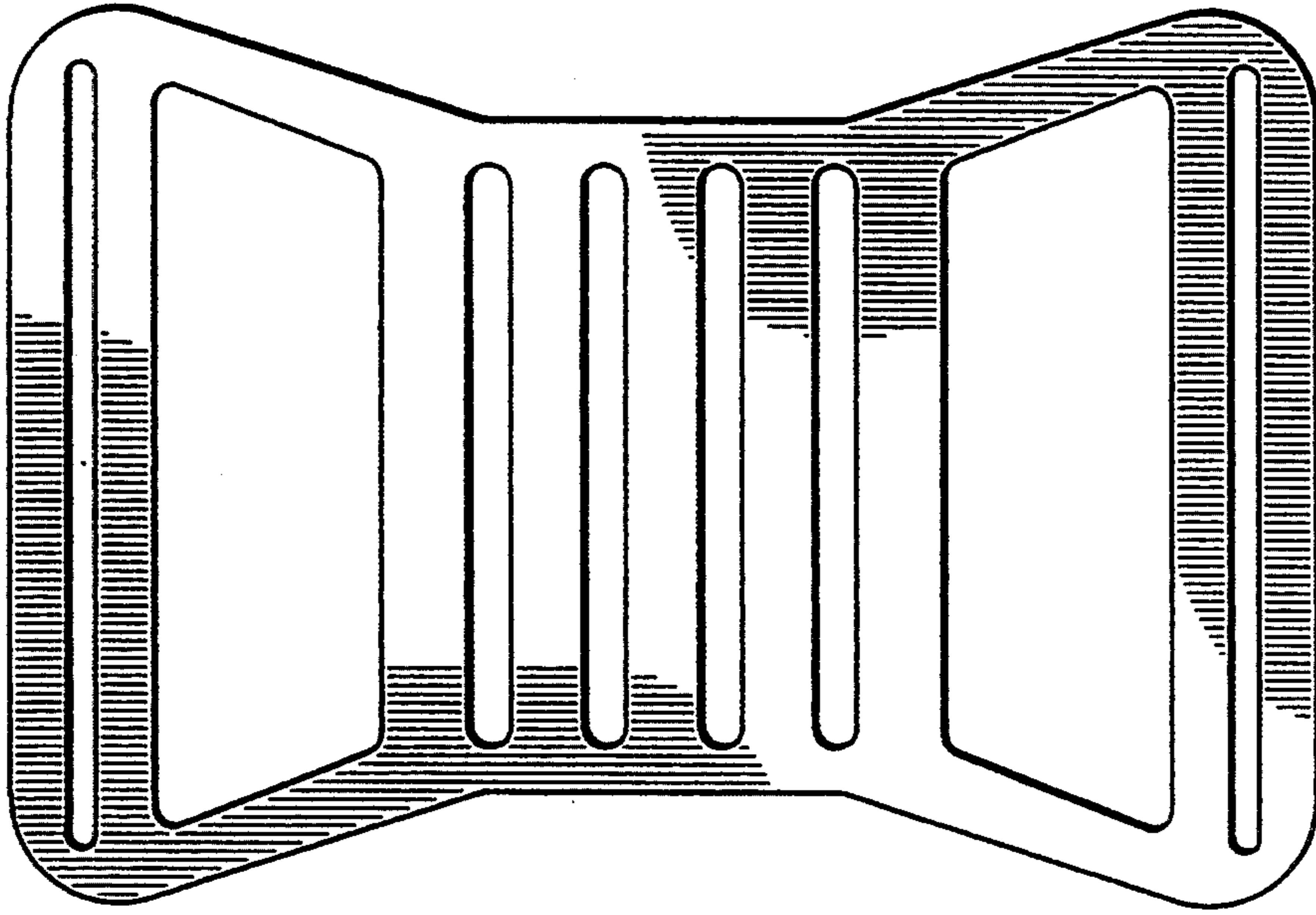


FIG. 6



FIG. 7

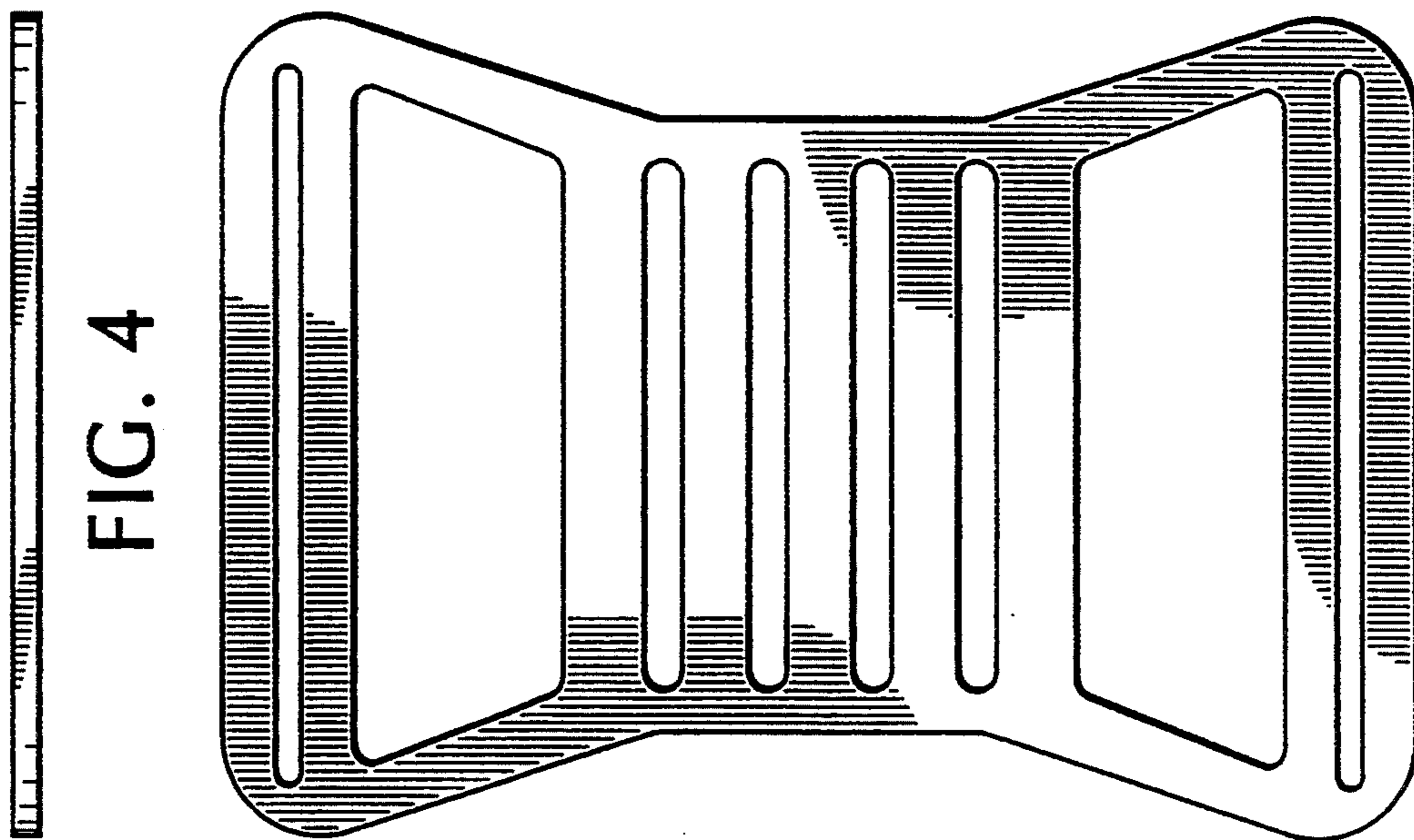


FIG. 4



FIG. 5

FIG. 3