



US00D358442S

# United States Patent [19]

[11] Patent Number: **Des. 358,442**

Houry et al.

[45] Date of Patent: **\*\* May 16, 1995**

- [54] **PANEL WITH STEPS FOR PLAYGROUND STRUCTURE**
- [75] Inventors: **Robert L. Houry; Keith D. Ratliff**, both of Farmington, Mo.
- [73] Assignee: **The Little Tikes Company**, Hudson, Ohio
- [\*\*] Term: **14 Years**
- [21] Appl. No.: **14,991**
- [22] Filed: **Nov. 8, 1993**
- [52] U.S. Cl. .... **D21/245; D21/109**
- [58] Field of Search ..... **D21/240, 244, 245, 109, D21/243; 446/124; 482/35, 52**

[56] **References Cited**

**U.S. PATENT DOCUMENTS**

D. 262,818	1/1982	Works	.....	D21/243
D. 281,985	12/1985	Spirk et al.	.....	D21/109
D. 285,224	8/1986	Olsen	.....	D21/244 X
D. 304,048	10/1989	Freese	.....	D21/109
D. 309,641	7/1990	Olsen	.....	D21/109
D. 340,099	10/1993	Warren et al.	.....	D21/243

**OTHER PUBLICATIONS**

- P. 49, Mexican Forge, address unknown. Publication date 1984.
- Pp. 20 and 35, Climber, Burke Company, Inc., P.O. Box 549, 660 Van Dyne Road, Fond du Lac, Wisconsin 54936-0594. Publication date 1992.
- P. 23, Playground structure, Custom Structures, 670 Mercer Road, P.O. Box 1880, Butler, Pennsylvania 16001. Publication date 1989.
- Catalog page, Climber, Gametime, Inc., P.O. Box 121, Fort Payne, Alabama 35967. Publication date 1990.

- Pp. 6 and 7, Climber, Gametime, Inc., P.O. Box 121, Fort Payne, Alabama 35967. Publication date 1991.
- P. 69, Climber, Kompan, Inc., R.D. #2, Box 249, Marathon, New York 13803. Publication date 1991.
- Pp. 16 and 17, Climber, Landscape Structures, Inc., 601 7th Street South, Delano, Minnesota 55328. Publication date Dec., 1992.
- P. 47, Steps, Miracle Recreation Equipment Company, P.O. Box 420 Monett, Missouri 65708. Publication date 1992.
- Catalog page, Climbers, SMP (Playgrounds) Ltd., Pound Road, Chertsey, Surrey KT16 8EJ, England. Publication date 1989.
- P. 84, Climbers; Iron Mountain Forge, P.O. Box 897, One Iron Mountain Drive, Farmington, Mo. 63640-8097. Publication date 1992.

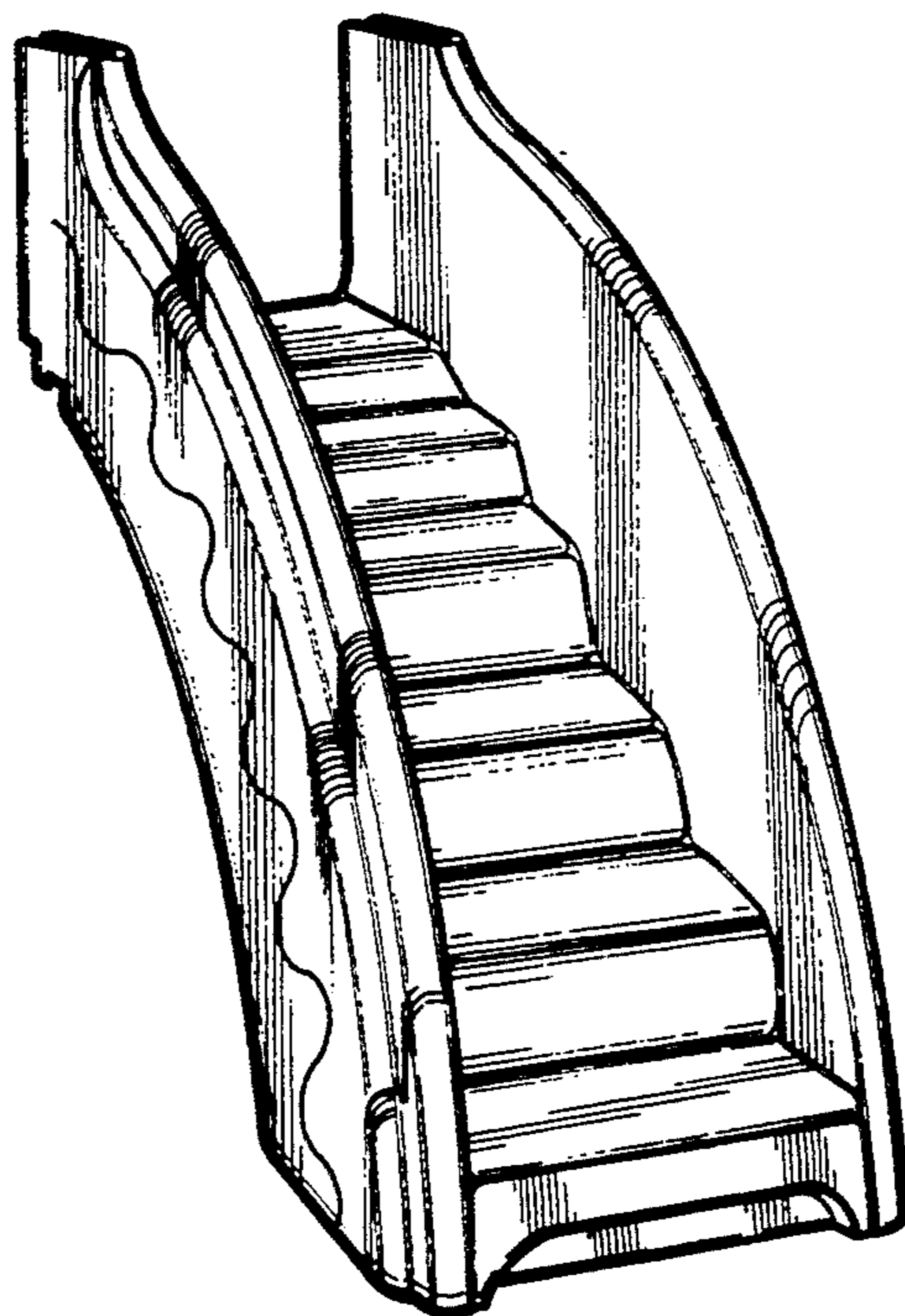
*Primary Examiner*—Theodore M. Shooman  
*Assistant Examiner*—Mitchell I. Siegel  
*Attorney, Agent, or Firm*—Richard B. O'Planick; Lisa B. Riedesel

[57] **CLAIM**

The ornamental design for a panel with steps for playground structure, as shown and described.

**DESCRIPTION**

FIG. 1 is a top left front perspective view of a panel with steps for playground structure showing our new design;  
 FIG. 2 is a right side elevational view thereof; the left side elevational view being a mirror image;  
 FIG. 3 is a top plan view thereof;  
 FIG. 4 is a front elevational view thereof;  
 FIG. 5 is a rear elevational view thereof; and,  
 FIG. 6 is a bottom plan view thereof.



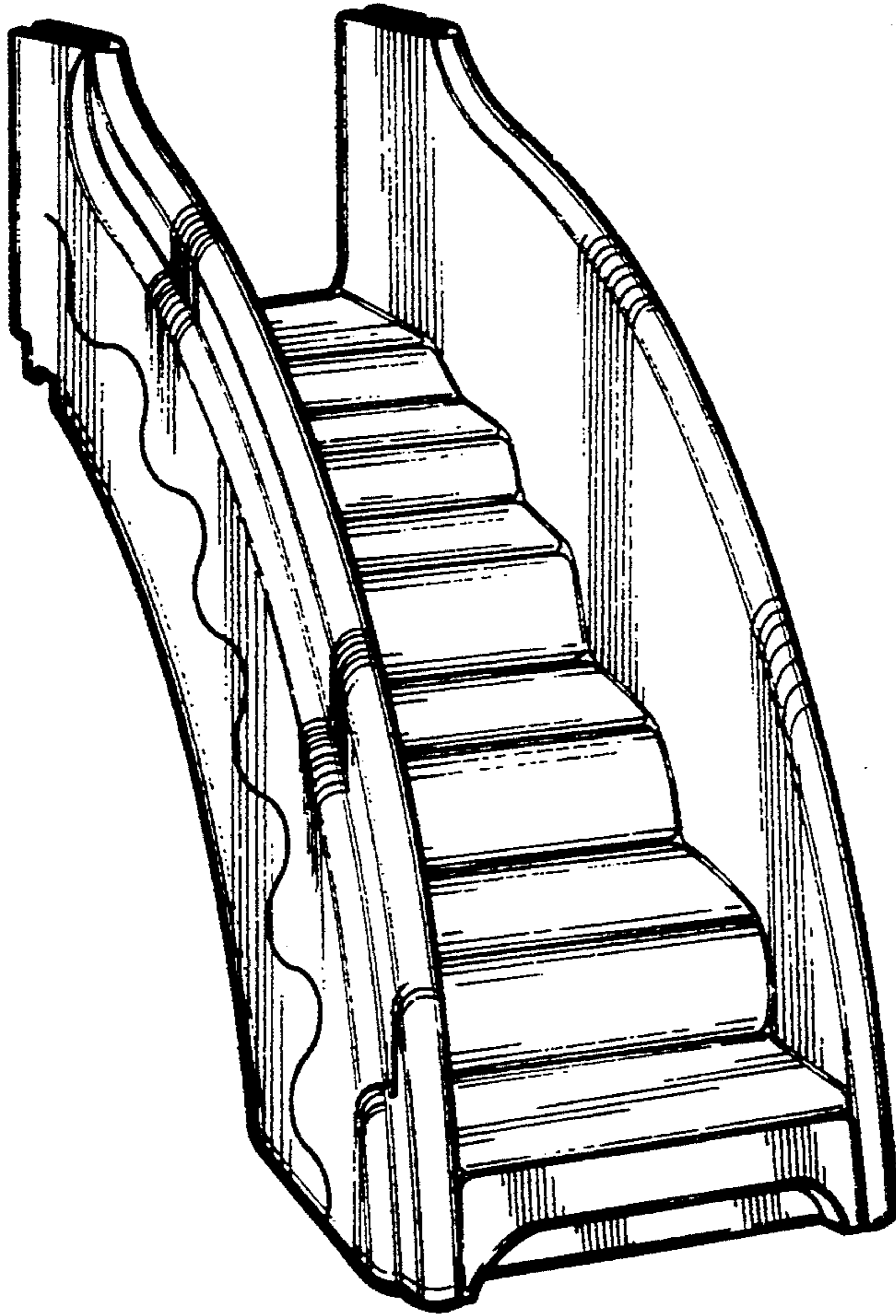


Fig-1

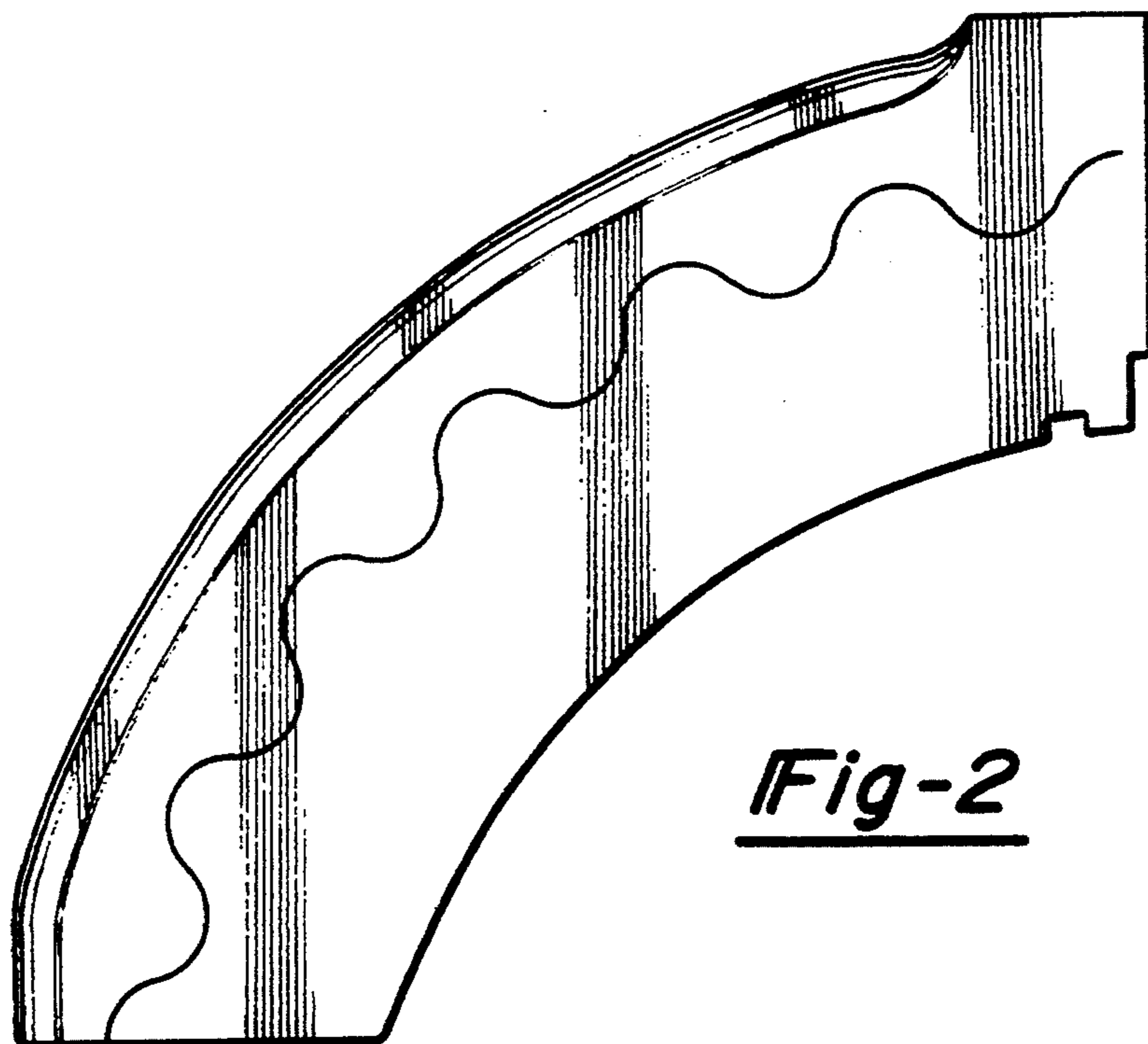


Fig-2

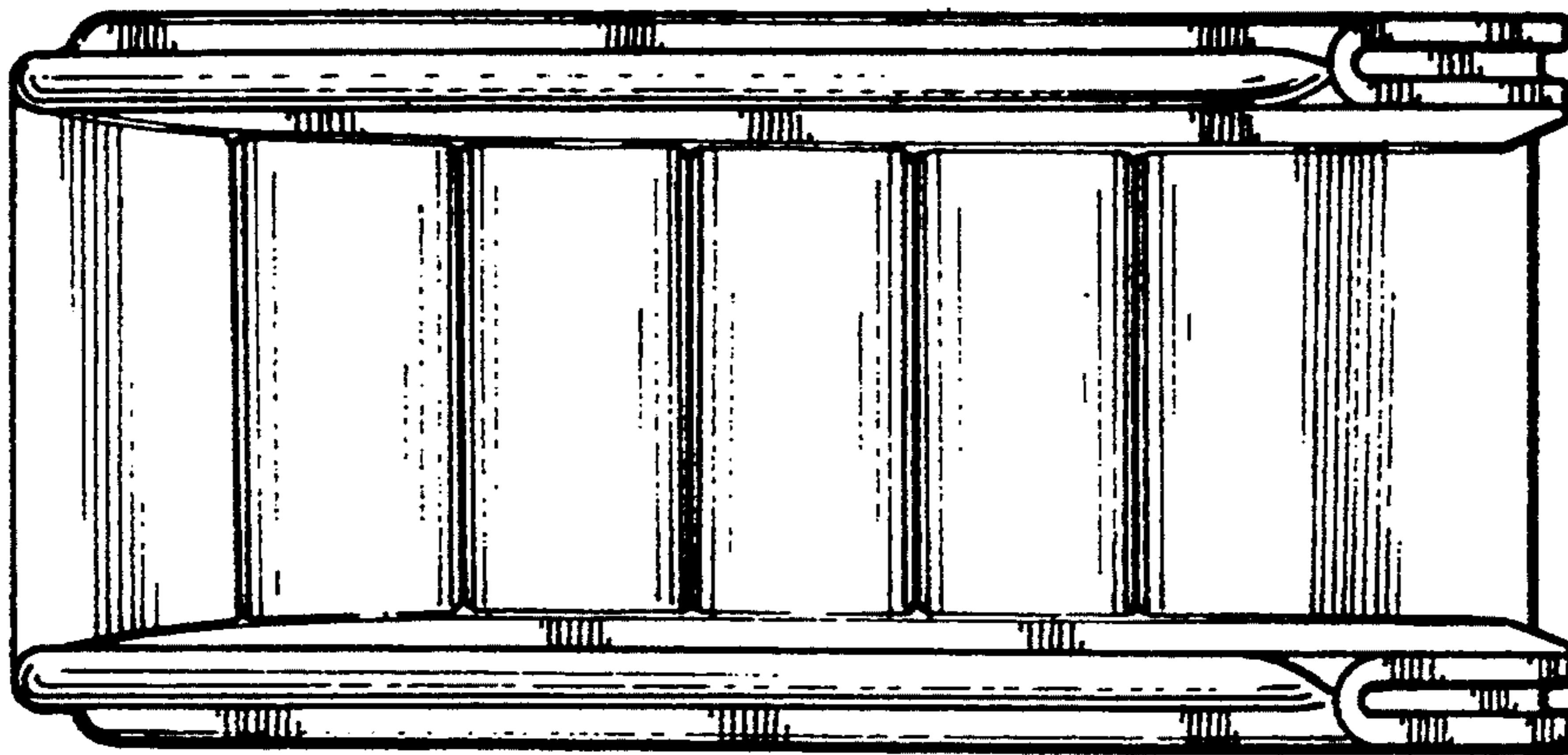


Fig-3

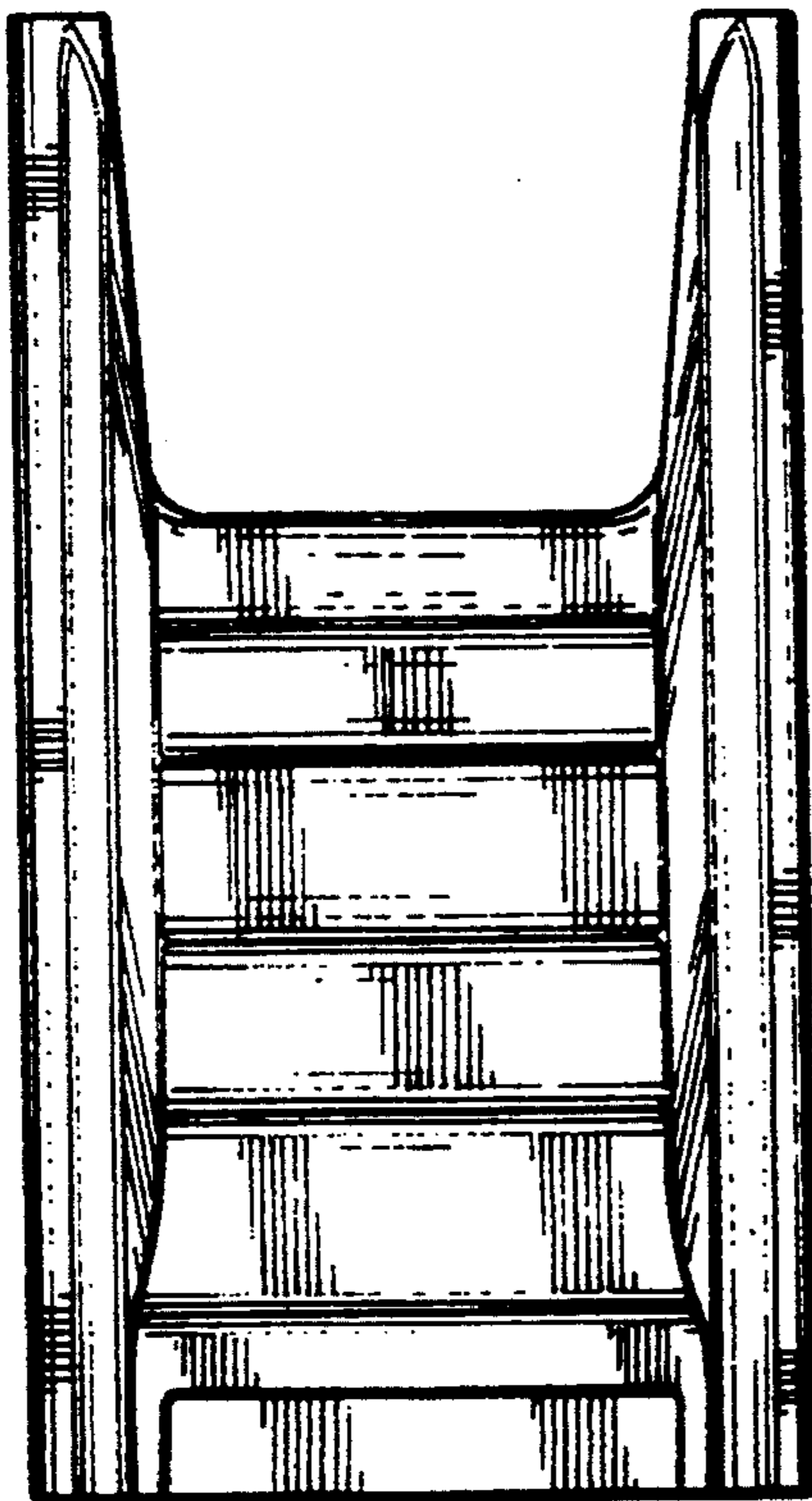


Fig-4

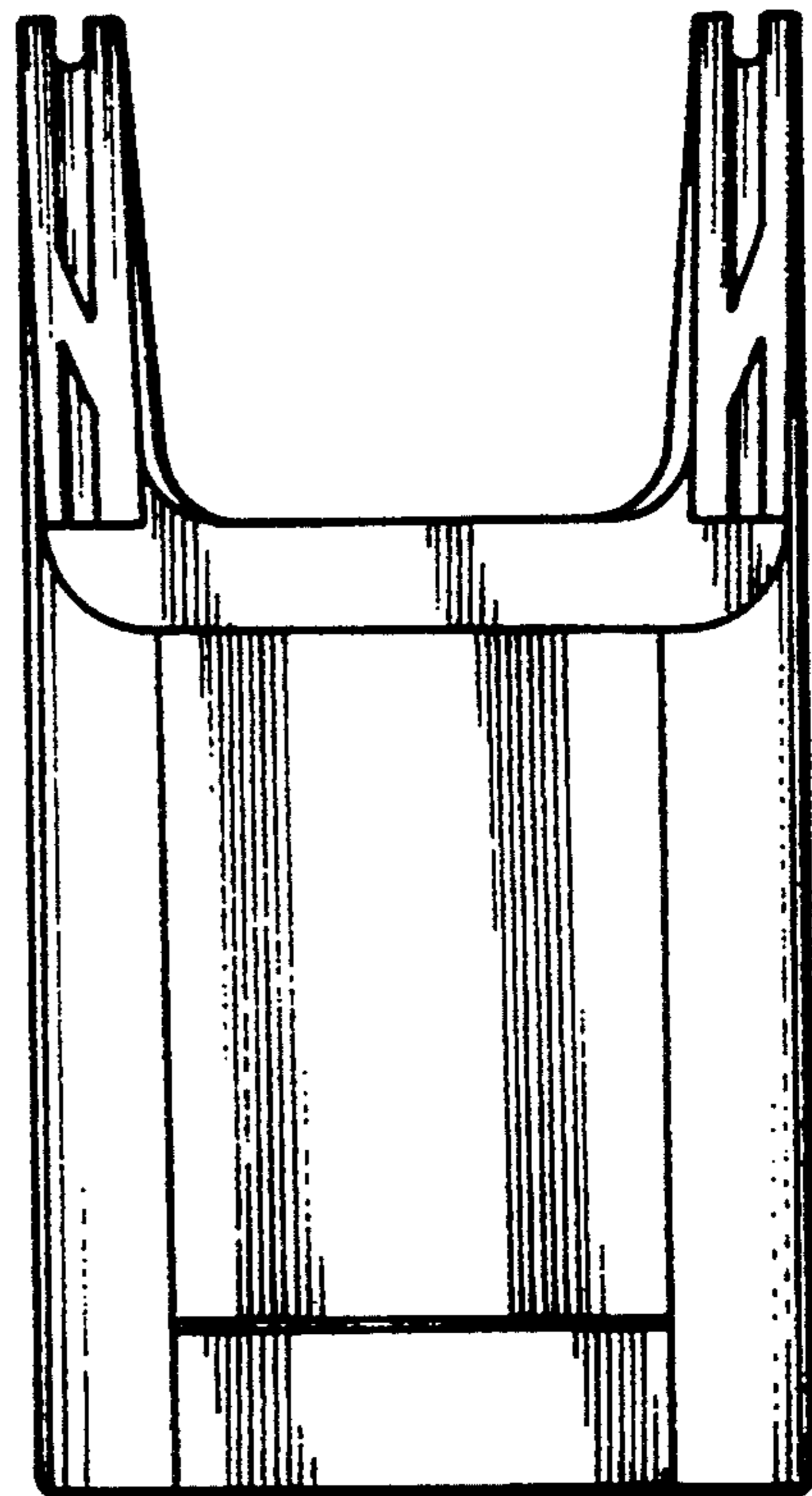


Fig-5

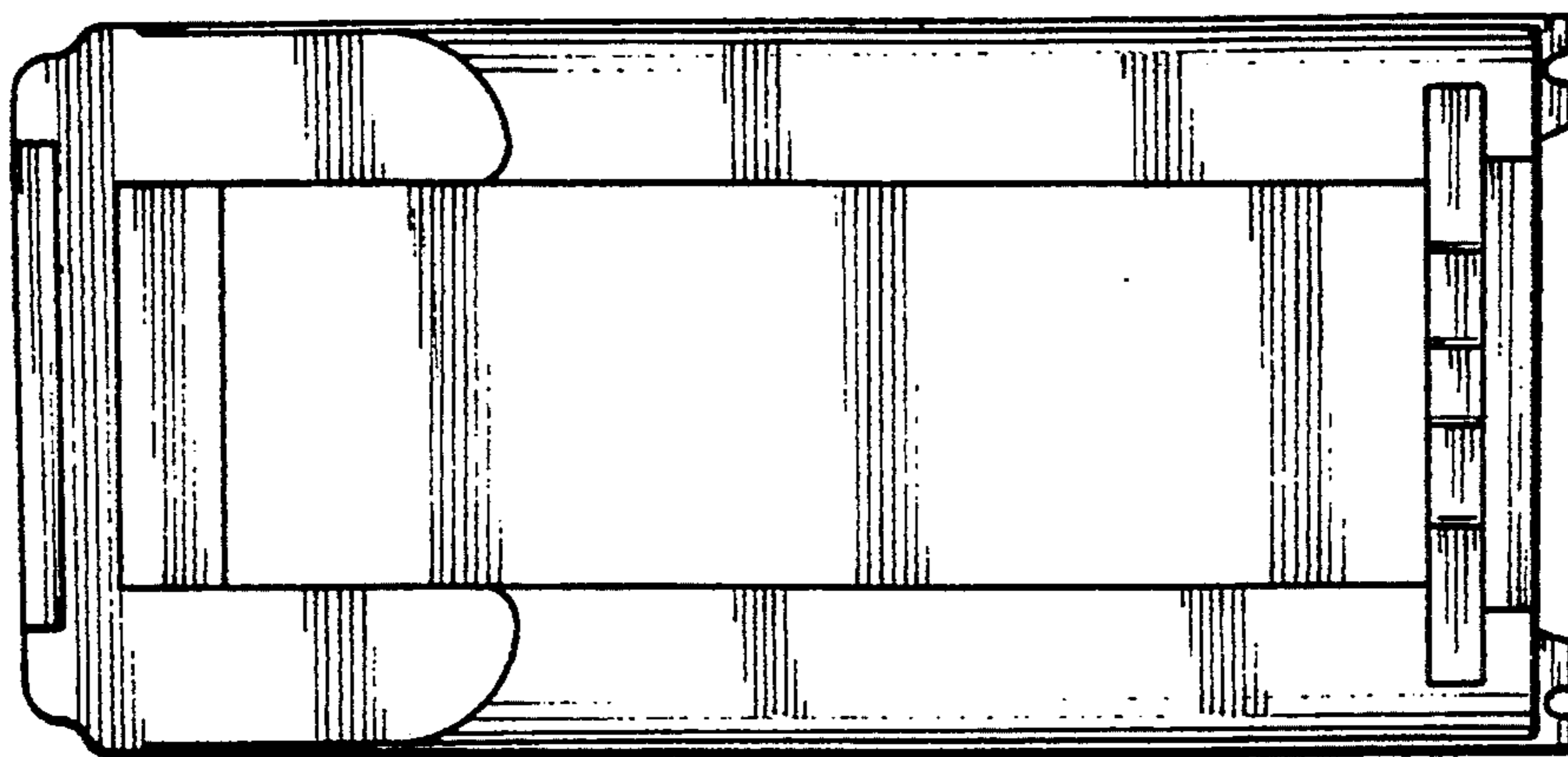


Fig-6