



US00D358437S

United States Patent [19]

[11] Patent Number: **Des. 358,437**

Wang et al.

[45] Date of Patent: **** May 16, 1995**

[54] **RIDING EXERCISER**

[75] Inventors: **Leao Wang; Peter Wu**, both of
Taiping Hsiang, Taiwan, Prov. of
China

[73] Assignee: **Greenmaster Industrial Corporation**,
Taiping Hsian, Taiwan, Prov. of
China

[**] Term: **14 Years**

[21] Appl. No.: **19,173**

[22] Filed: **Feb. 24, 1994**

[52] U.S. Cl. **D21/191**

[58] Field of Search **D21/191, 194, 195;**
482/62, 51, 57, 92, 95, 96, 72, 137

2,470,544 5/1949 Bell 482/96
 2,642,288 6/1953 Bell 482/96
 2,924,456 2/1960 Miller 482/96
 4,452,448 6/1984 Ausherman 482/72
 4,641,833 2/1987 Tretheway 482/57
 5,178,599 1/1993 Scott 482/96

Primary Examiner—Theodore M. Shooman
Assistant Examiner—Philip Hyder
Attorney, Agent, or Firm—Bacon & Thomas

[57] CLAIM

The ornamental design for a riding exerciser, as shown and described.

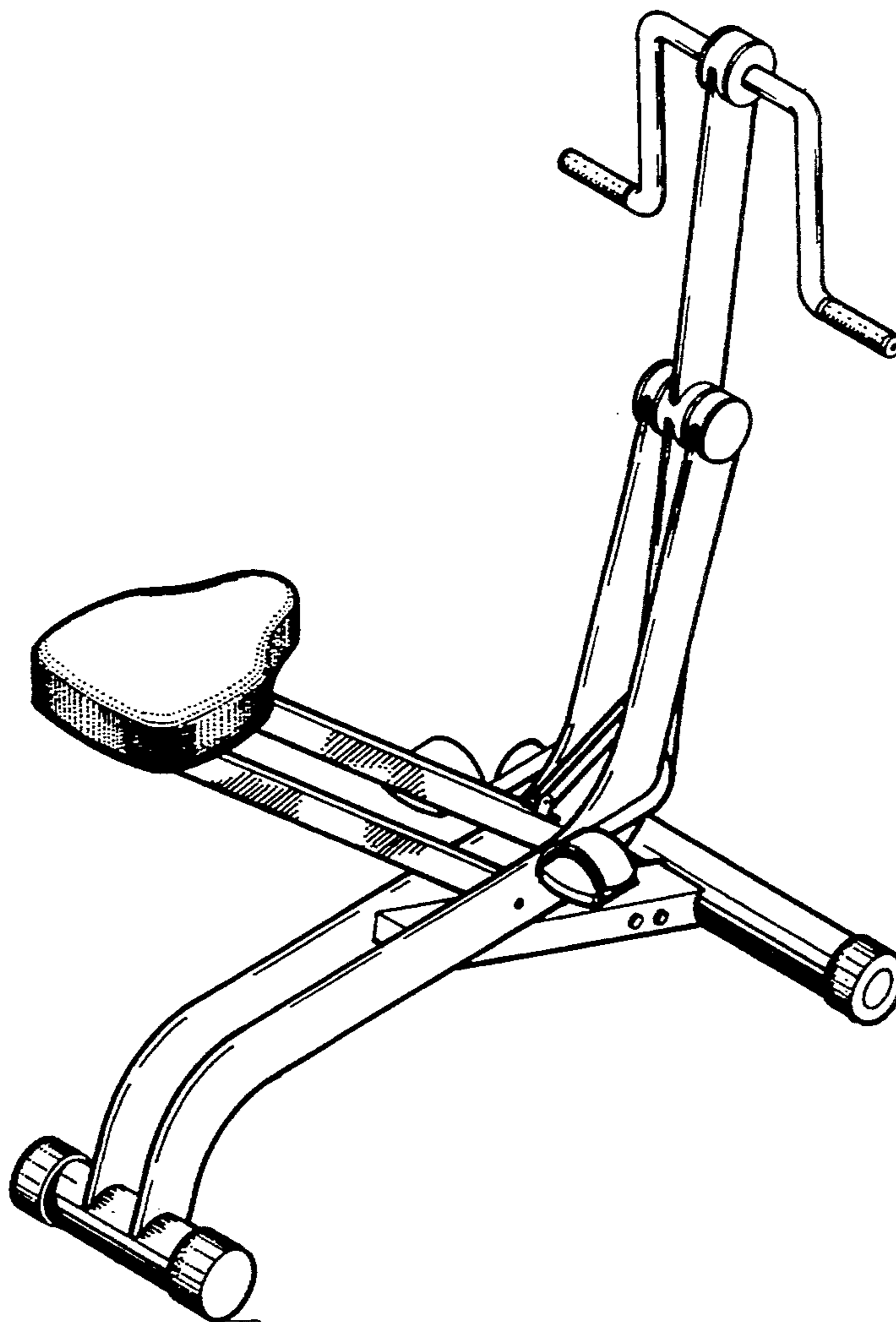
DESCRIPTION

FIG. 1 is a perspective view of the riding exerciser; FIG. 2 is a front elevational view of the riding exerciser; FIG. 3 is a left side elevational view of the riding exerciser; FIG. 4 is a right side elevational view of the riding exerciser; FIG. 5 is a top view of the riding exerciser; and, FIG. 6 is a bottom view of the riding exerciser.

[56] References Cited

U.S. PATENT DOCUMENTS

D. 174,738 5/1955 Cowgill D21/195
 D. 218,624 9/1970 Margolies D21/195
 2,455,548 12/1948 Bell 482/96



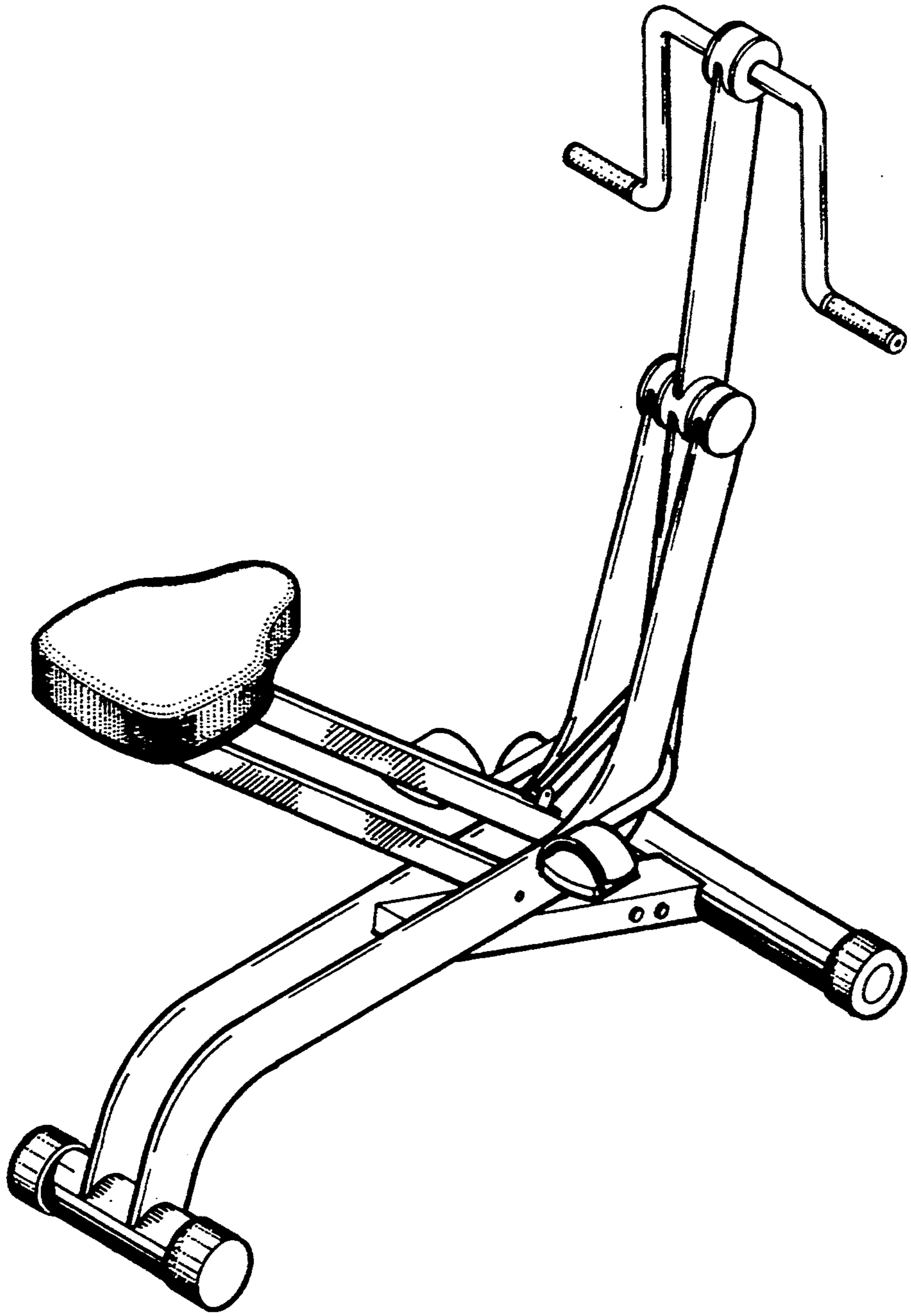


FIG. 1

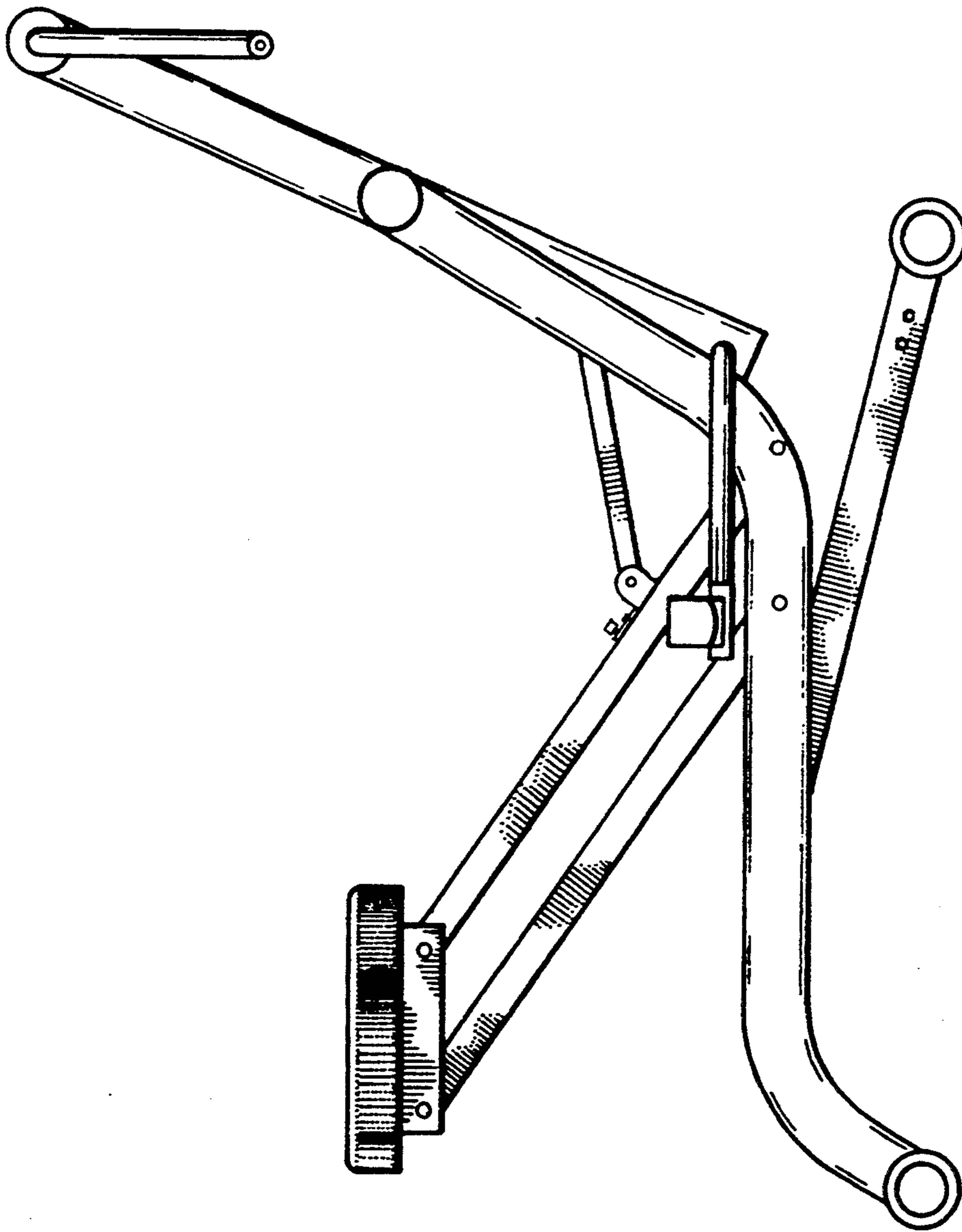


FIG. 2

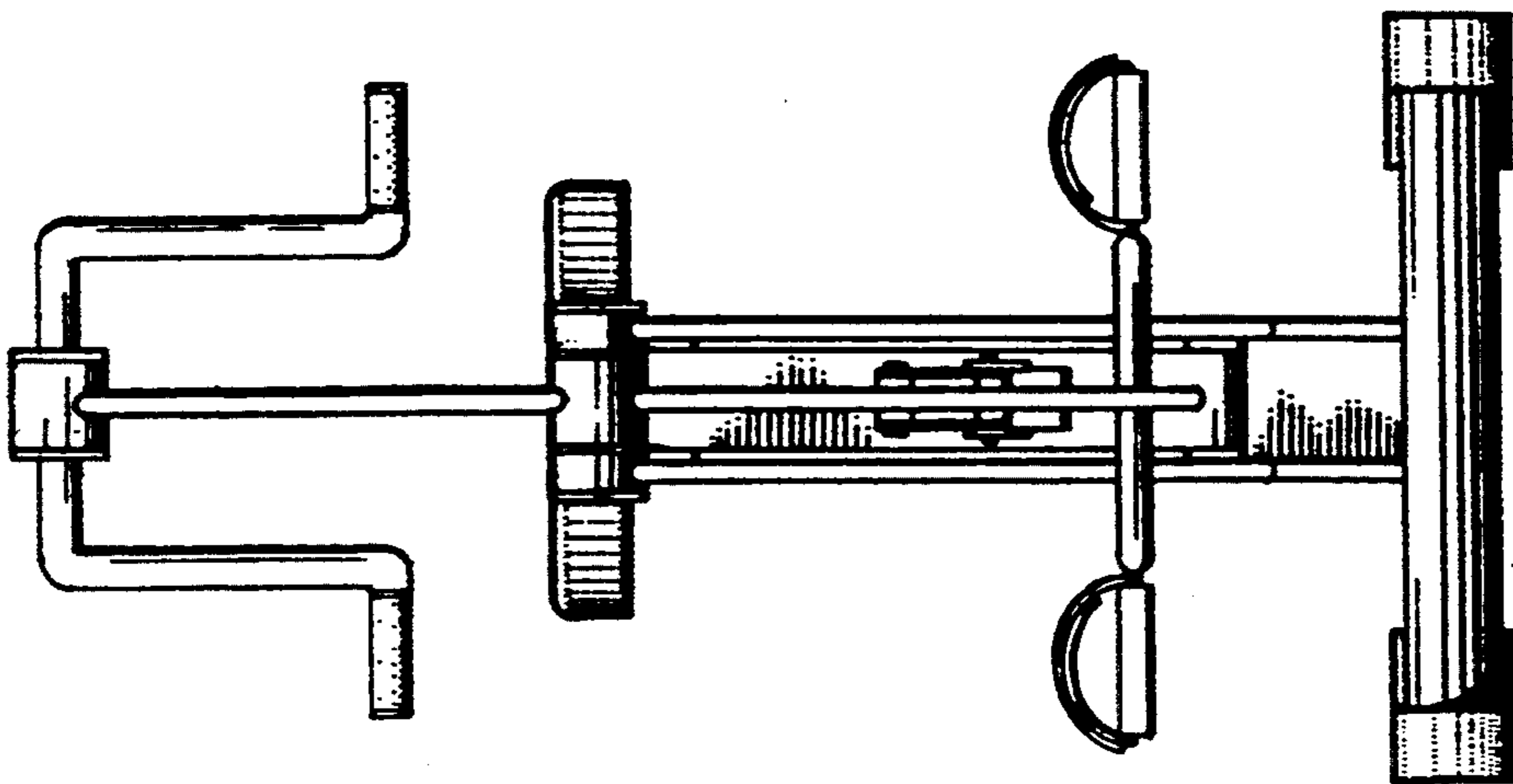


FIG. 3

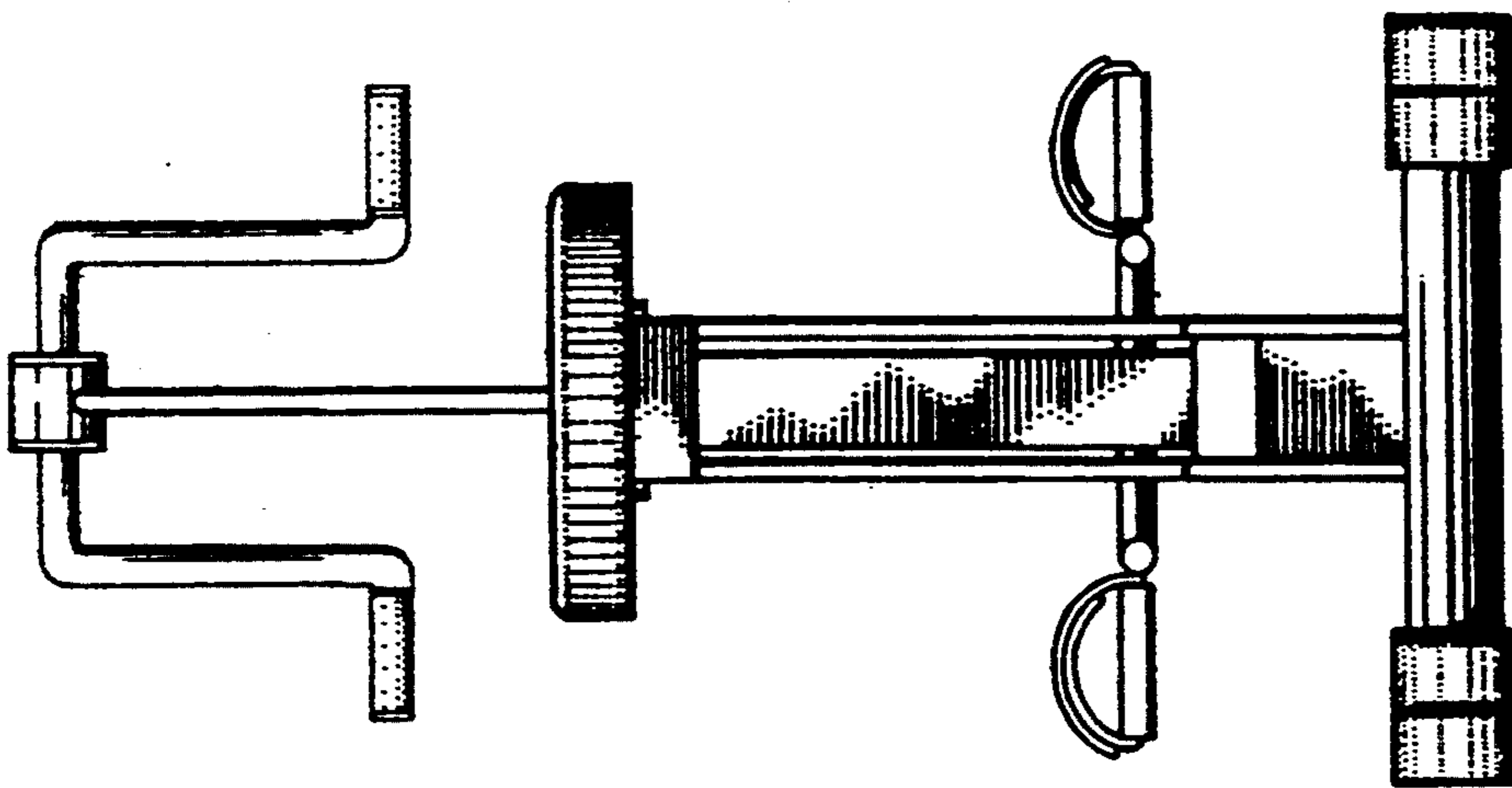


FIG. 4

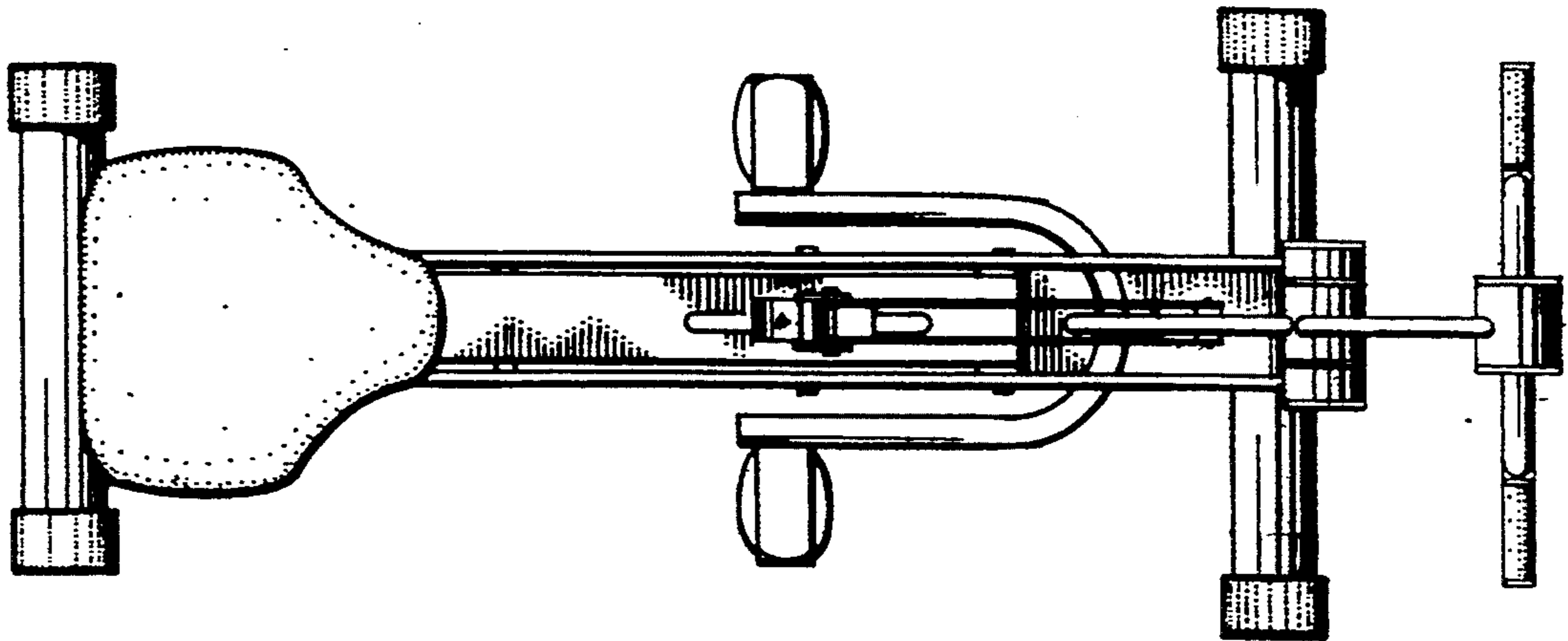


FIG. 5

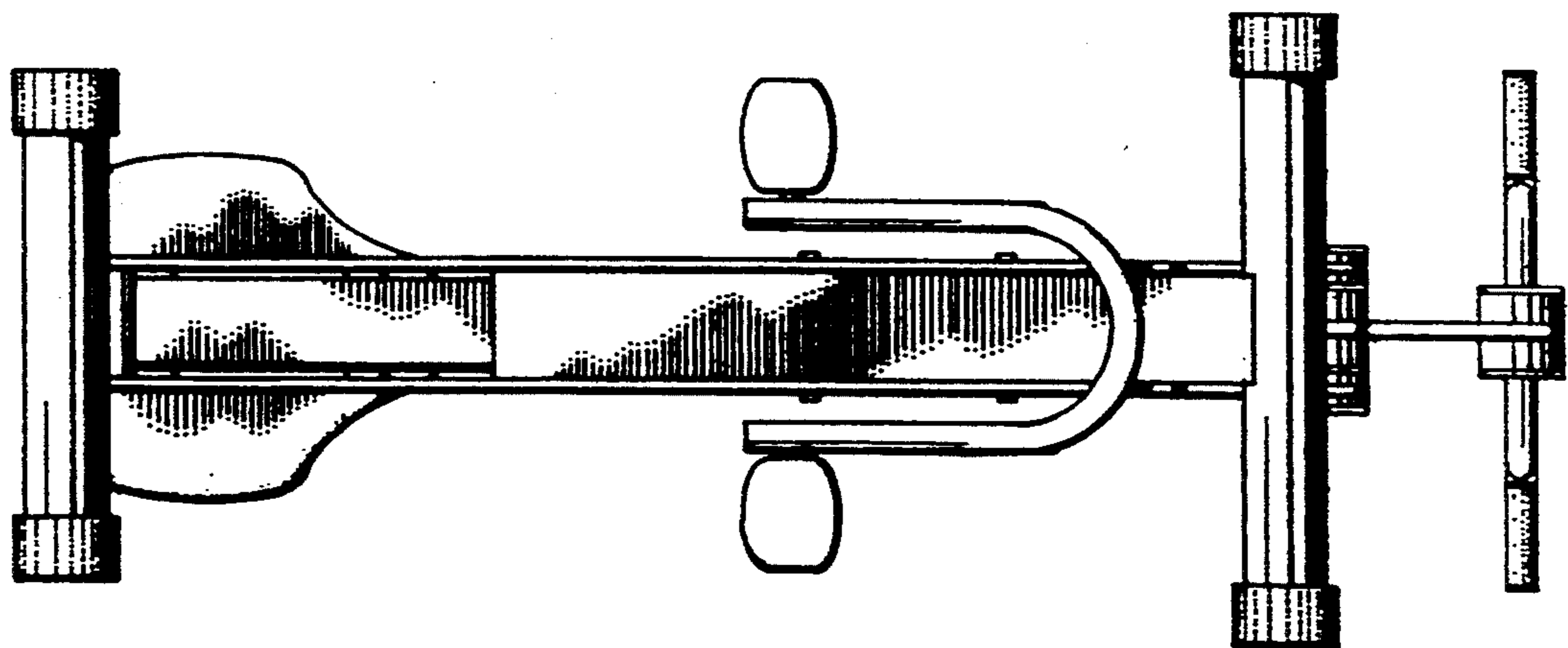


FIG. 6