



US00D358436S

United States Patent [19]

[11] Patent Number: **Des. 358,436**

Piaget et al.

[45] Date of Patent: **** May 16, 1995**

[54] STRIDING EXERCISER

[76] Inventors: **Gary D. Piaget**, 1435 W. Silvermeadows Dr. #48, Park City, Utah 84060; **Trace O. Gordon**, 3880 W. Lariat Rd., Park City, Utah 84060; **James B. Easley**, 100 2nd St. SE., #103, Minneapolis, Minn. 55414; **Adolf H. Friedebach**, 9135 Hidden Bay Ct., Waconia, Minn. 55387; **Thomas G. Tupper**, 7178 Ticonderoga Trail, Eden Prairie, Minn. 55346

D. 303,131	8/1989	Lo	D21/192
D. 328,934	8/1992	Friedebach	D21/191
4,402,506	9/1983	Jones	482/71
4,512,571	4/1985	Hermelin	482/70
4,529,194	7/1985	Haaheim	482/70
4,618,139	10/1986	Haaheim	482/70
4,813,667	3/1989	Watterson	482/70
4,948,121	8/1990	Haaheim	482/70
5,000,442	3/1991	Dalebout et al.	482/70
5,108,093	4/1992	Watterson	482/70

Primary Examiner—Prabhakar G. Deshmukh
Assistant Examiner—Philip Hyder
Attorney, Agent, or Firm—Salter & Michaelson

[**] Term: **14 Years**

[57] CLAIM

[21] Appl. No.: **13,689**

The ornamental design for a striding exerciser, as shown and described.

[22] Filed: **Sep. 30, 1993**

DESCRIPTION

[52] U.S. Cl. **D21/191; D21/192**

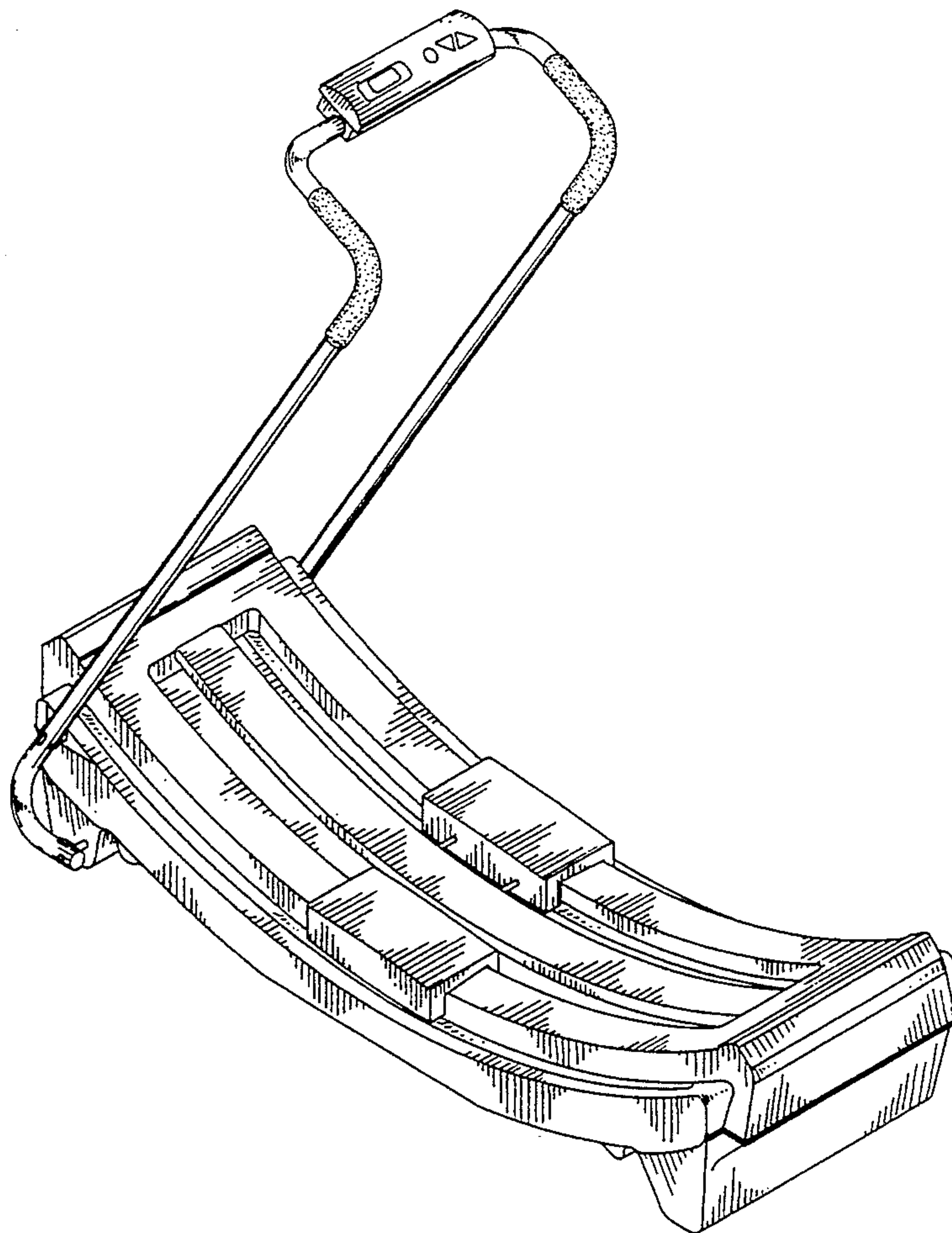
[58] Field of Search **D21/191, 192, 193, 195, D21/194; 482/70, 71, 72, 73, 118, 119**

[56] References Cited

U.S. PATENT DOCUMENTS

D. 299,369 1/1989 Smith et al. D21/191

FIG. 1 is a perspective view of the striding exerciser; FIG. 2 is a top view thereof; FIG. 3 is a bottom view thereof; FIG. 4 is a rear view thereof; FIG. 5 is a front view thereof; FIG. 6 is a right side view thereof; and, FIG. 7 is a left side view thereof.



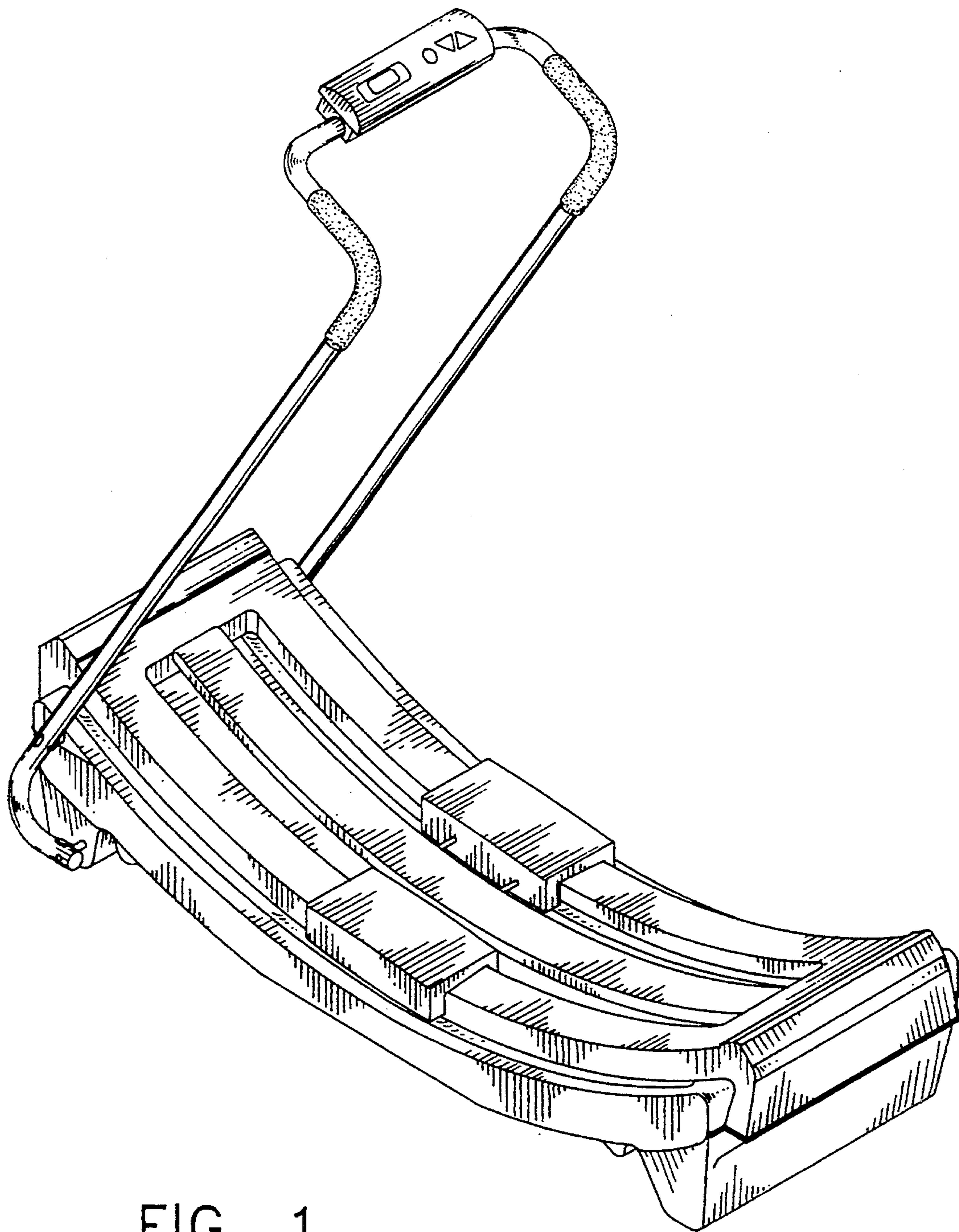


FIG. 1

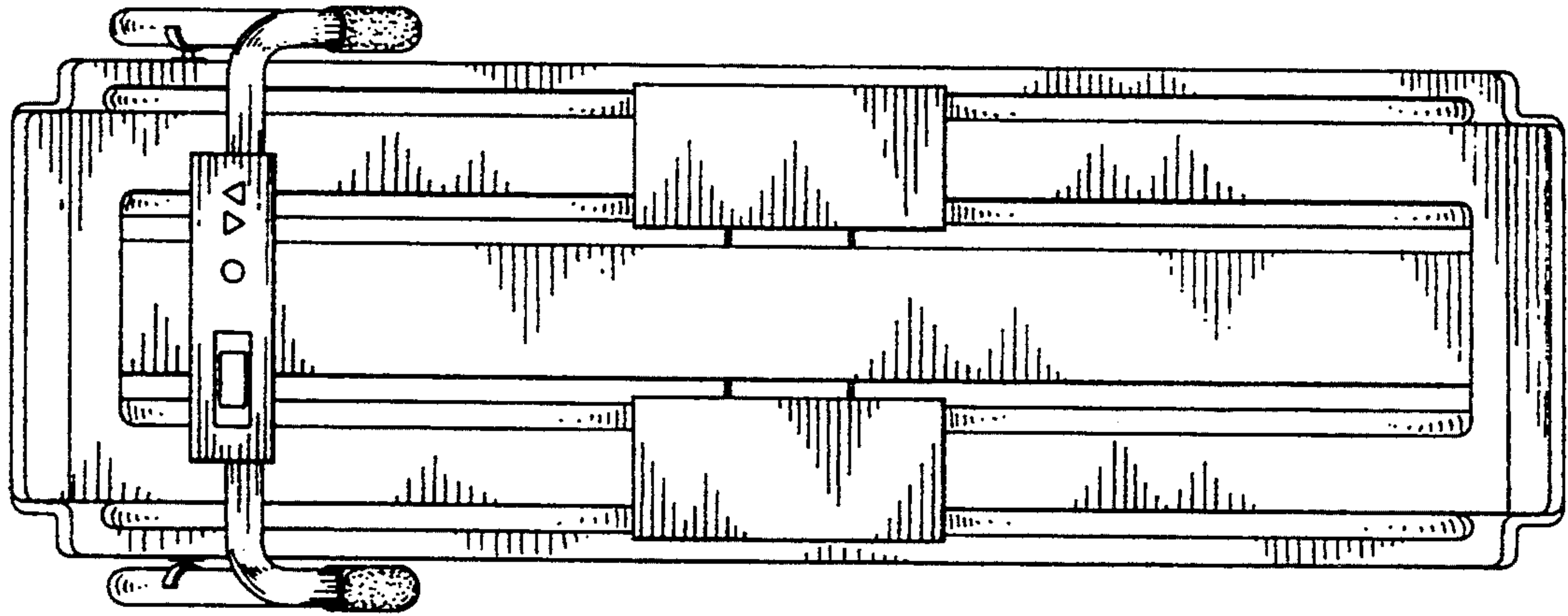


FIG. 2

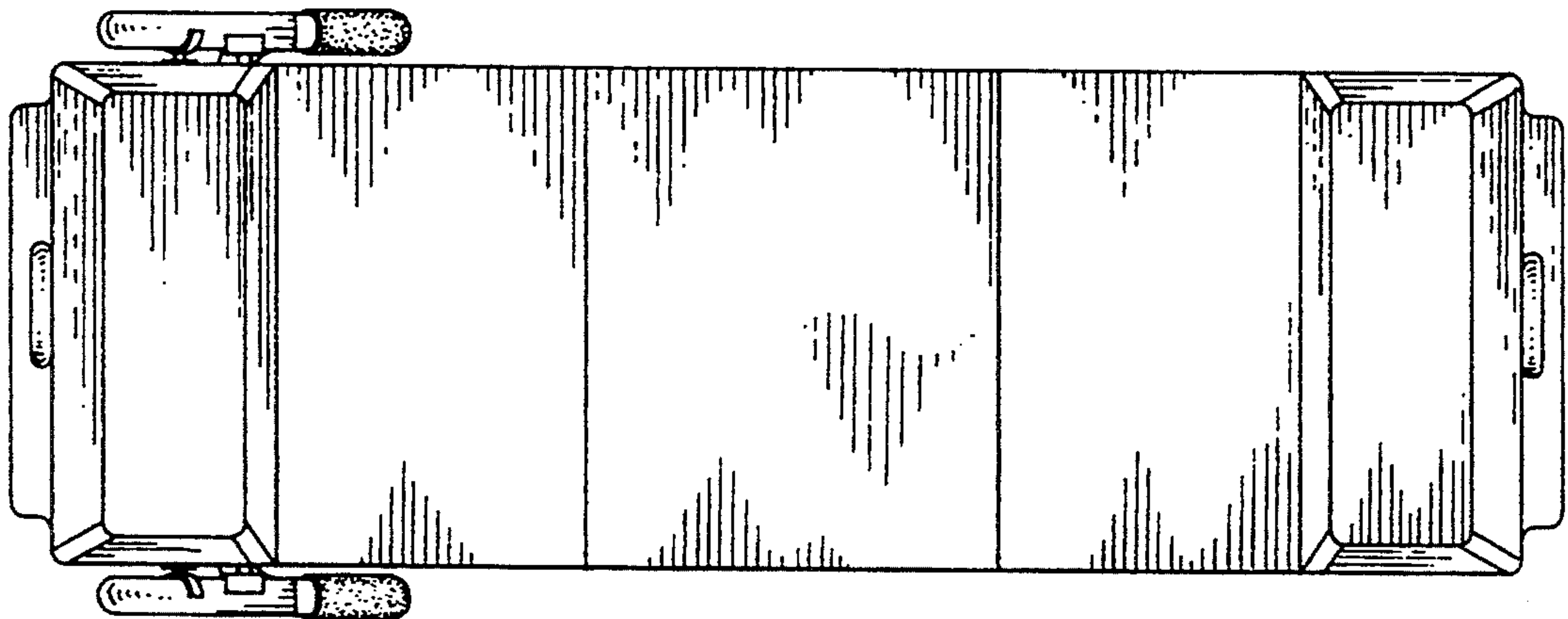


FIG. 3

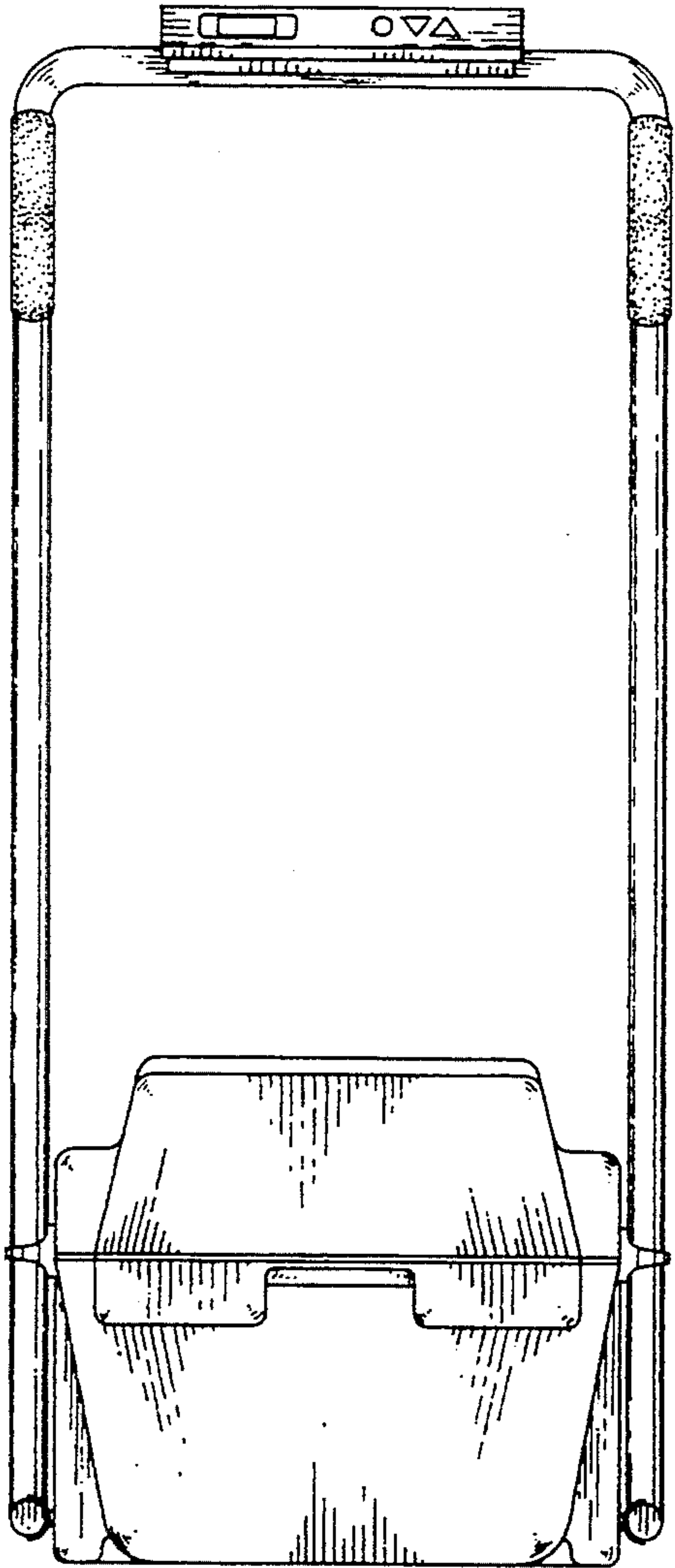


FIG. 4

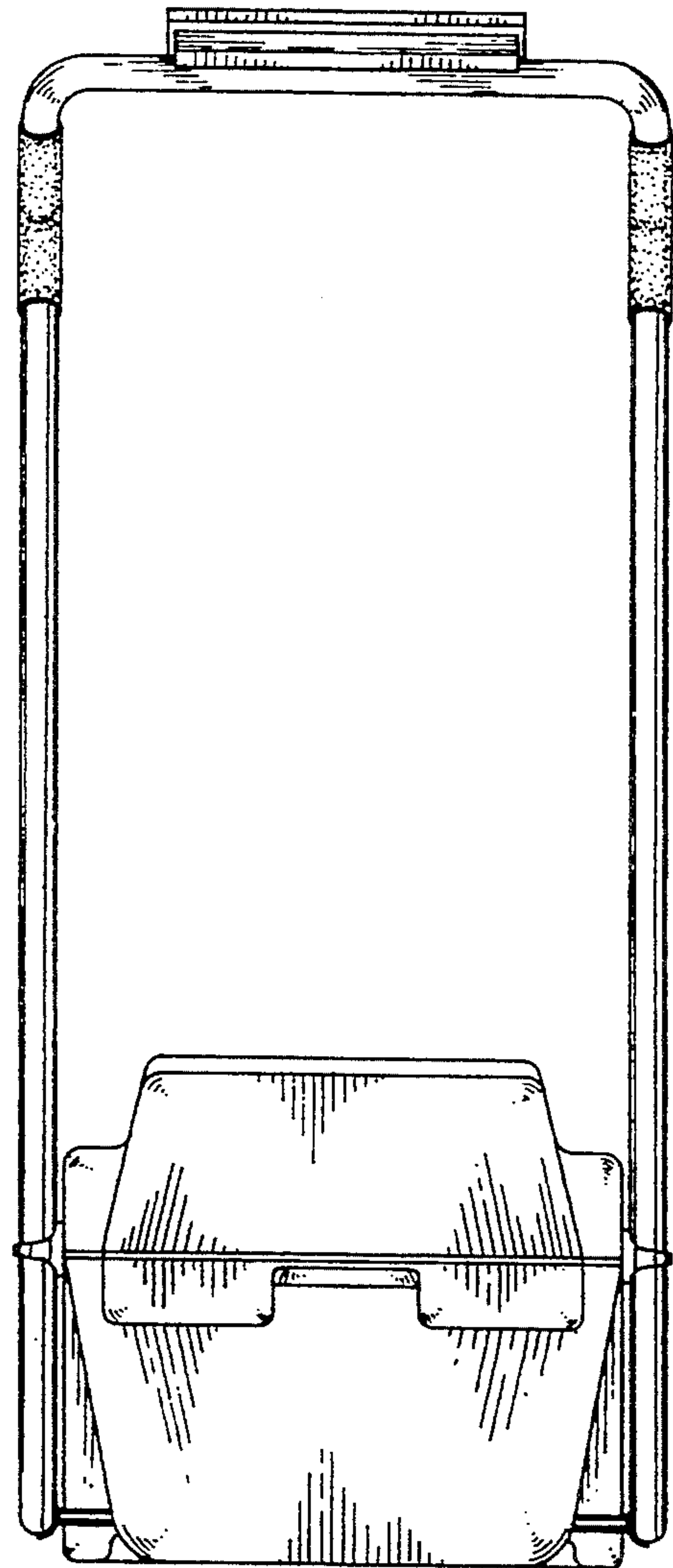


FIG. 5

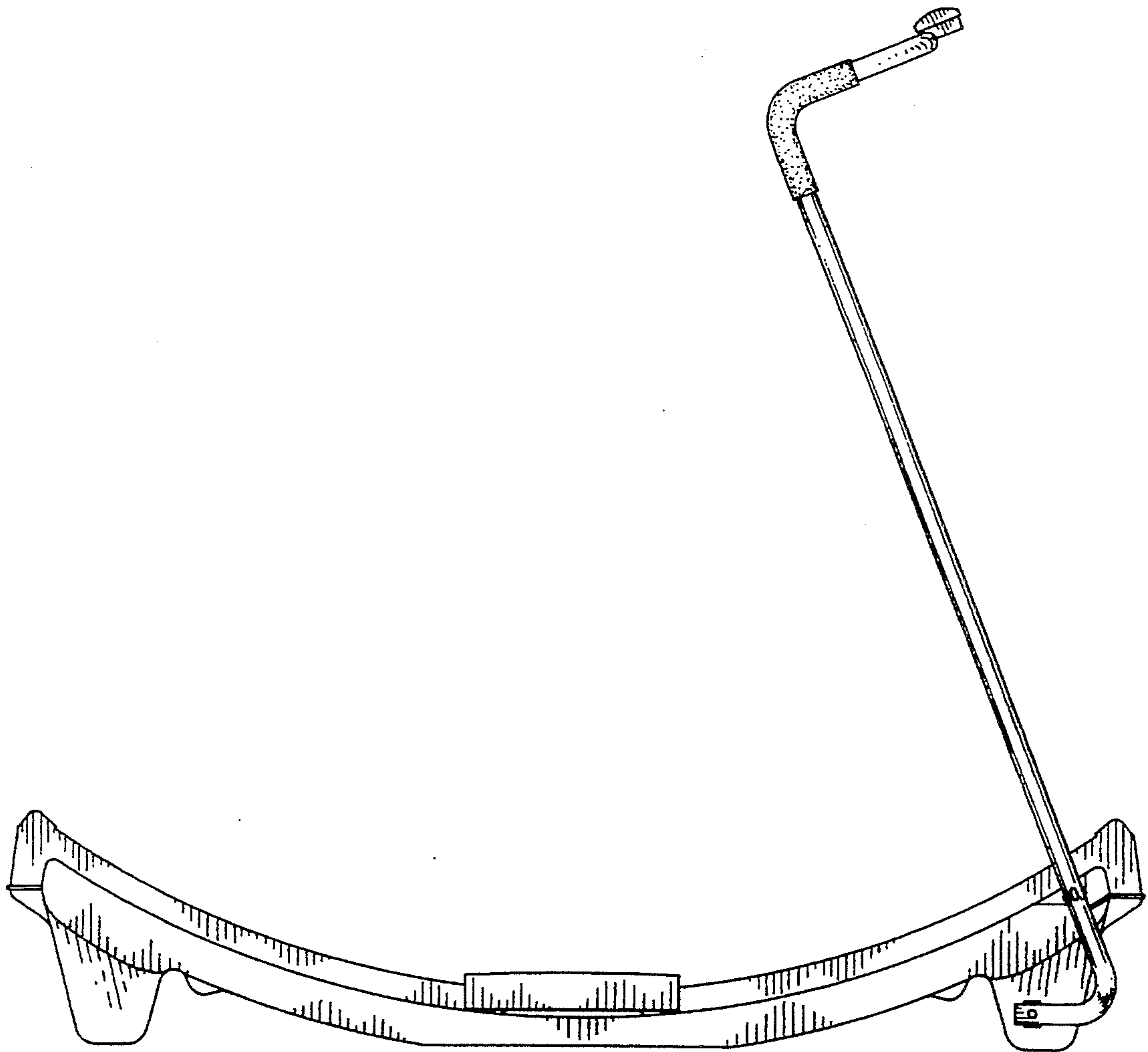


FIG. 6

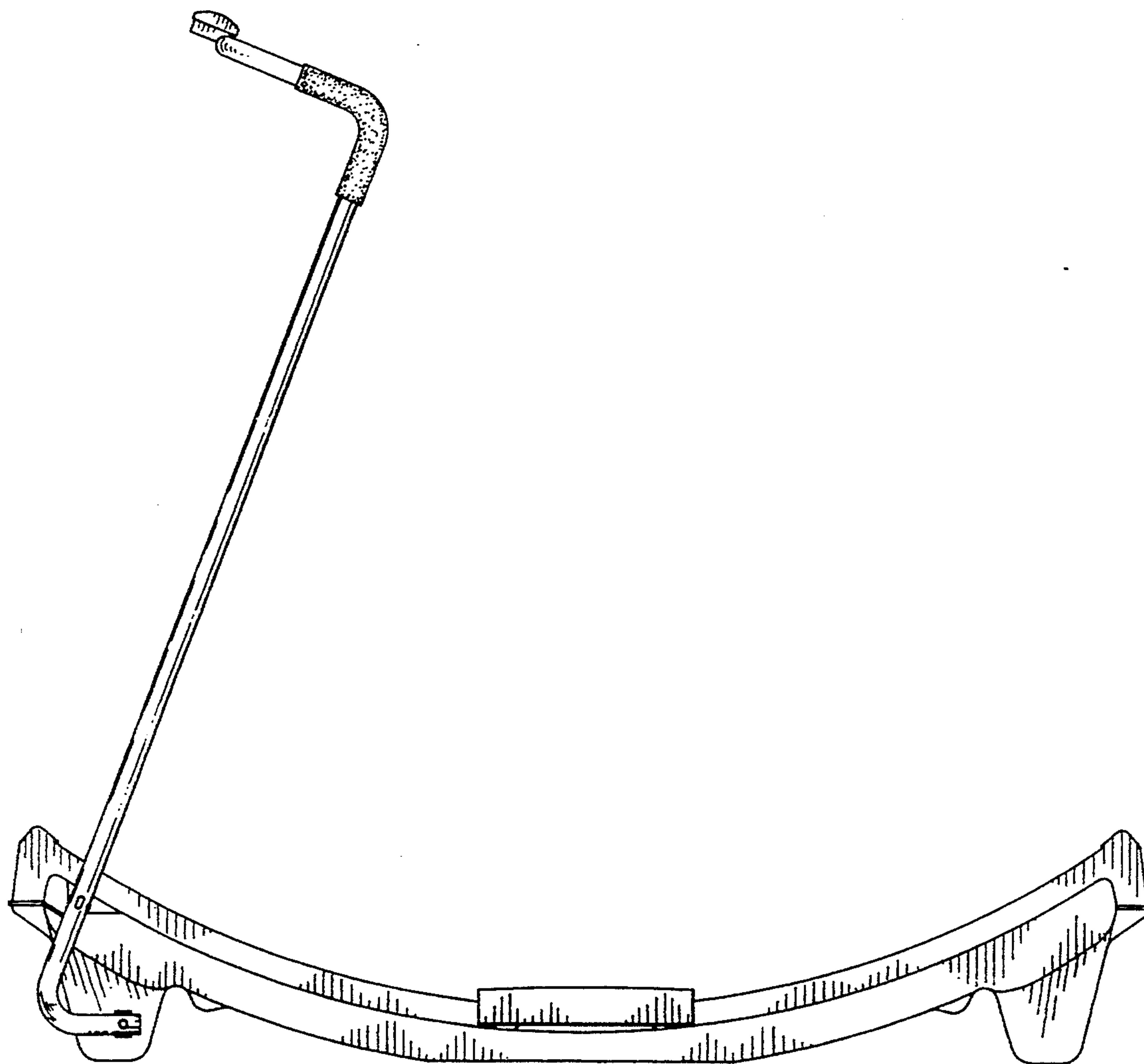


FIG. 7