



US00D358435S

United States Patent [19]

Sokol

[11] Patent Number: **Des. 358,435**

[45] Date of Patent: **** May 16, 1995**

[54] **MULTIPLE PURPOSE STRETCHING EXERCISER**

[76] Inventor: **Steven D. Sokol**, P.O. Box 23312, San Jose, Calif. 95153

[**] Term: **14 Years**

[21] Appl. No.: **9,126**

[22] Filed: **Jun. 3, 1993**

[52] U.S. Cl. **D21/191**

[58] Field of Search **D21/191, 195; D24/183; 482/907, 138, 142, 131**

3,966,200	6/1976	Kirk	482/142
4,902,007	2/1990	Ferrari	482/138
4,930,769	6/1990	Nenoff	482/142

Primary Examiner—Theodore M. Shooman
Assistant Examiner—Philip Hyder
Attorney, Agent, or Firm—Kline International Law Firm

[57] CLAIM

The ornamental design for a multiple purpose stretching exerciser, as shown and described.

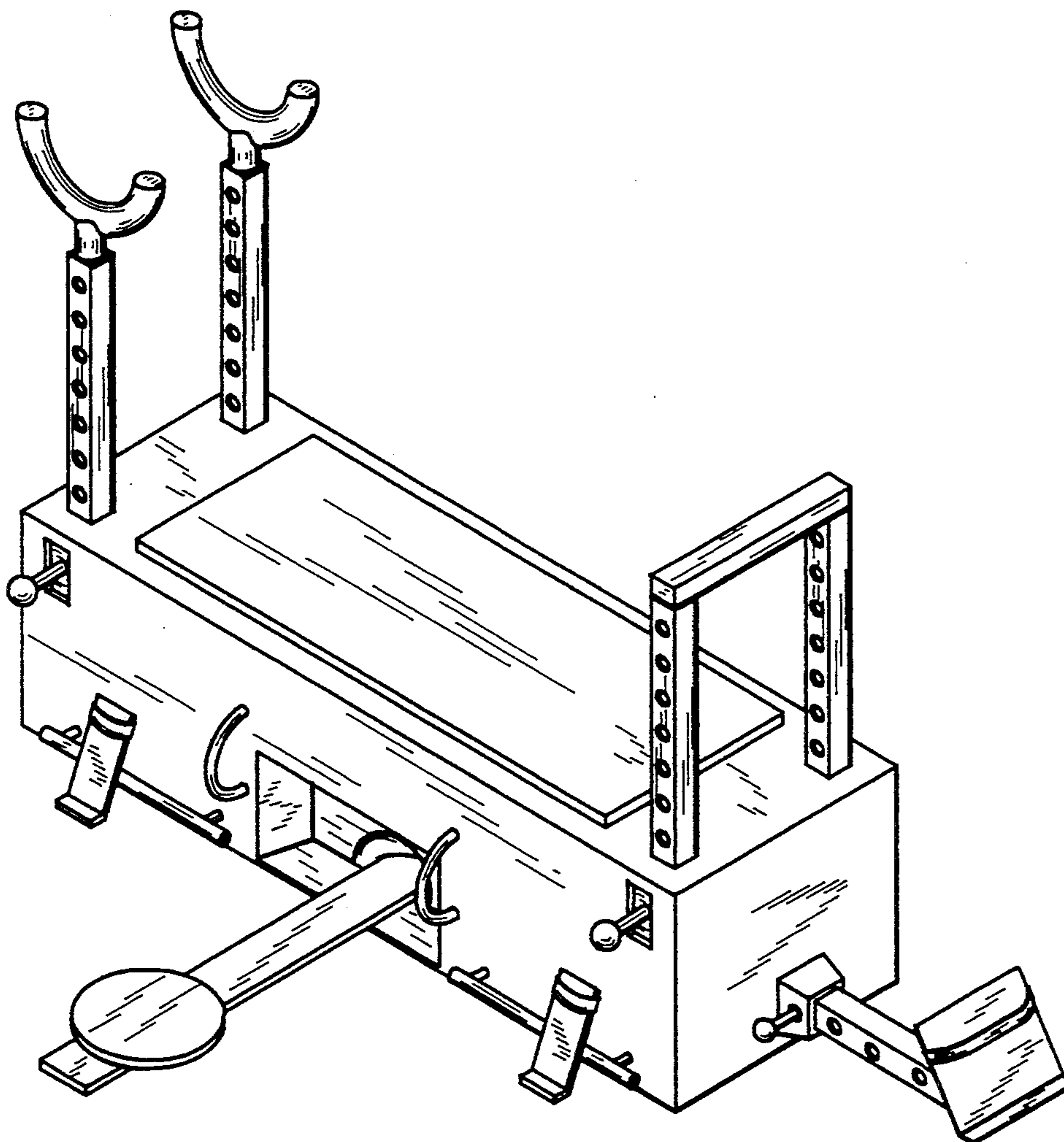
DESCRIPTION

FIG. 1 is a front perspective view of a multiple purpose stretching exerciser showing my new design; FIG. 2 is a rear perspective view thereof; FIG. 3 is a right side elevational view thereof; FIG. 4 is a left side elevational view thereof; FIG. 5 is a bottom plan view thereof; and, FIG. 6 is a perspective view of the foot anchor portion of the exerciser, shown separately for clarification purposes.

[56] References Cited

U.S. PATENT DOCUMENTS

D. 180,296	5/1957	Ritter	D24/183
D. 219,493	12/1970	Hennessee	D24/183
D. 321,224	10/1991	Wolff	D21/191
D. 325,610	4/1992	Walker et al.	D21/195
1,804,441	5/1931	Silva	482/907



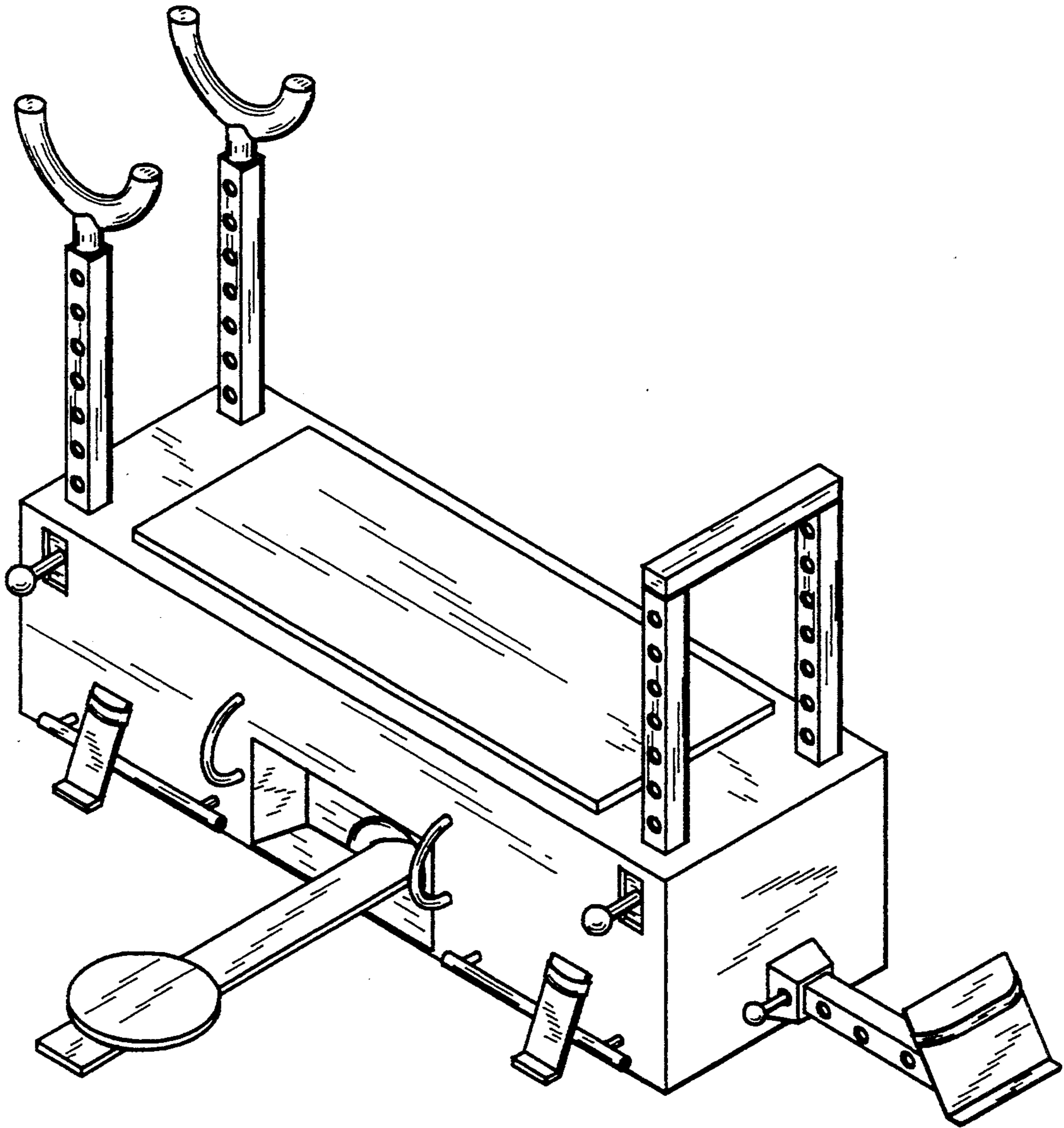


FIG. 1

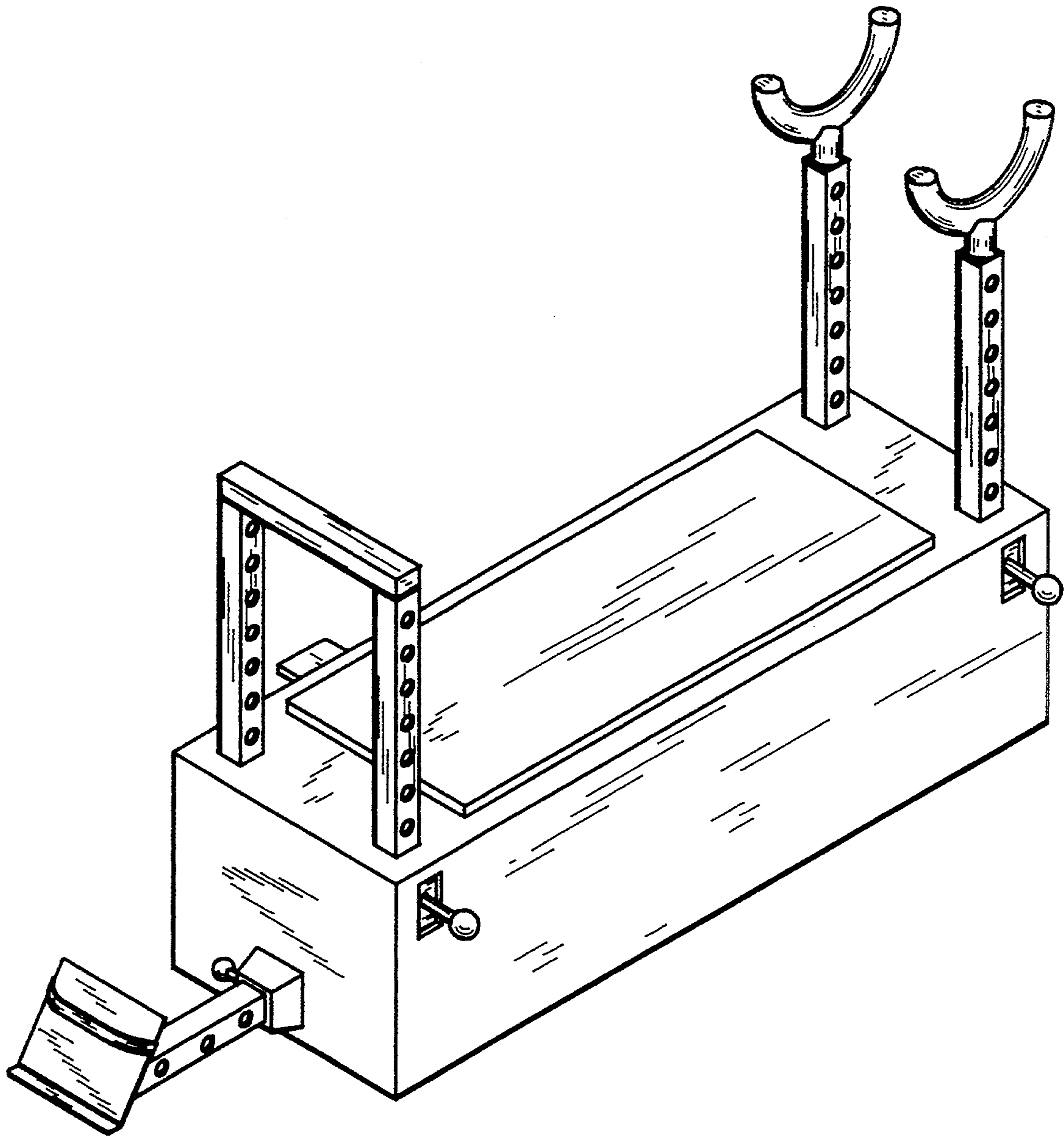


FIG. 2

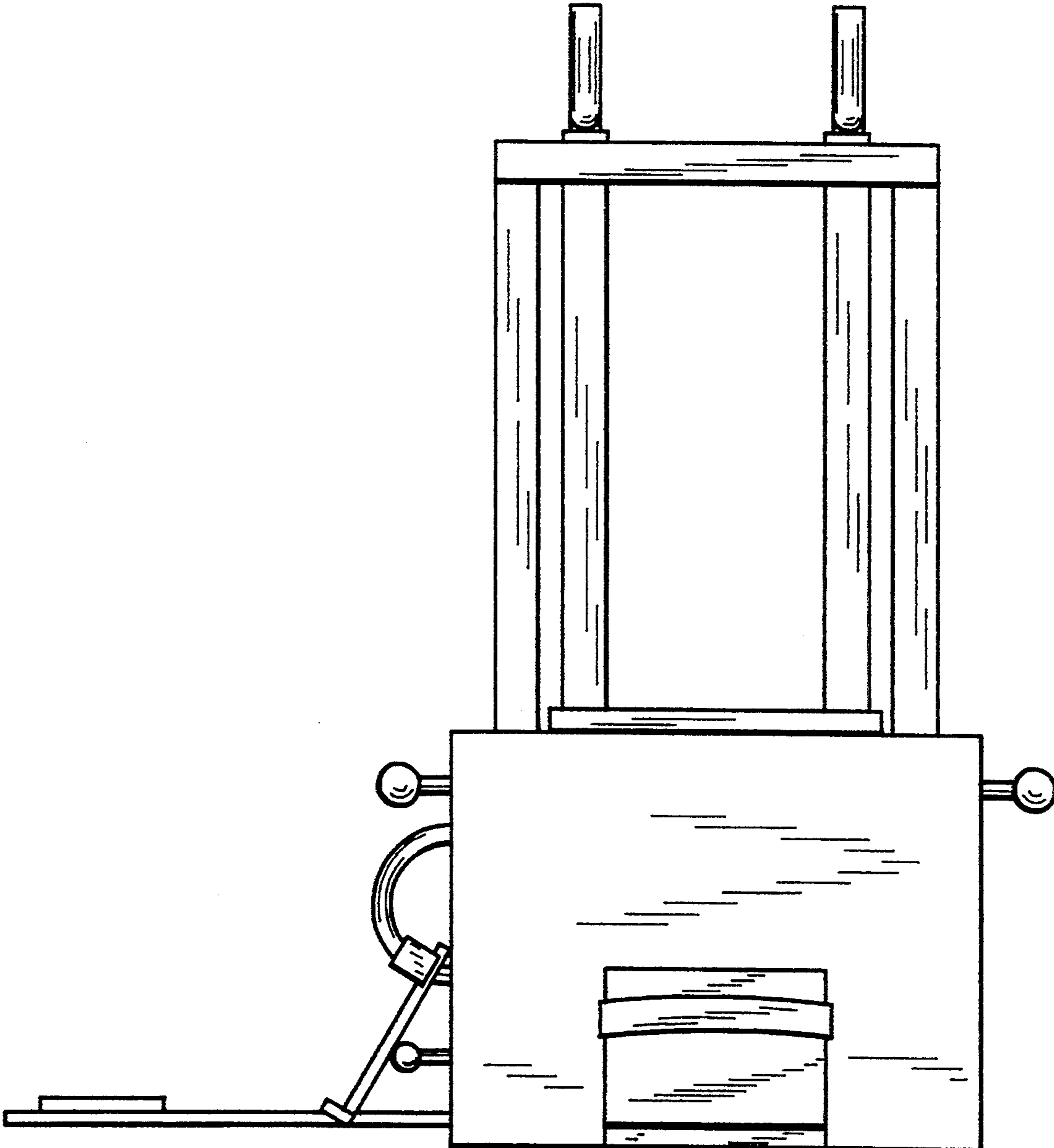


FIG. 3

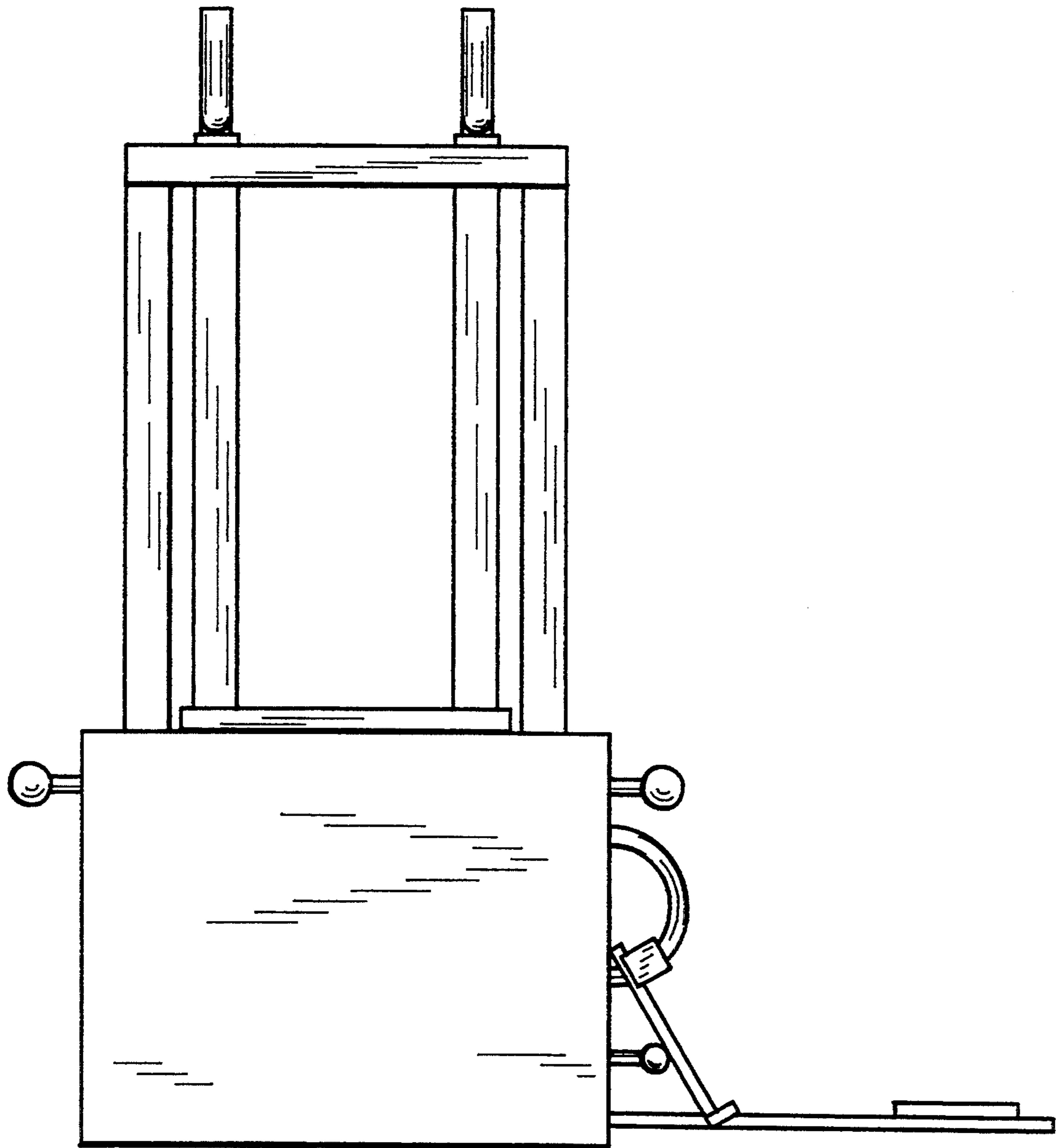


FIG. 4

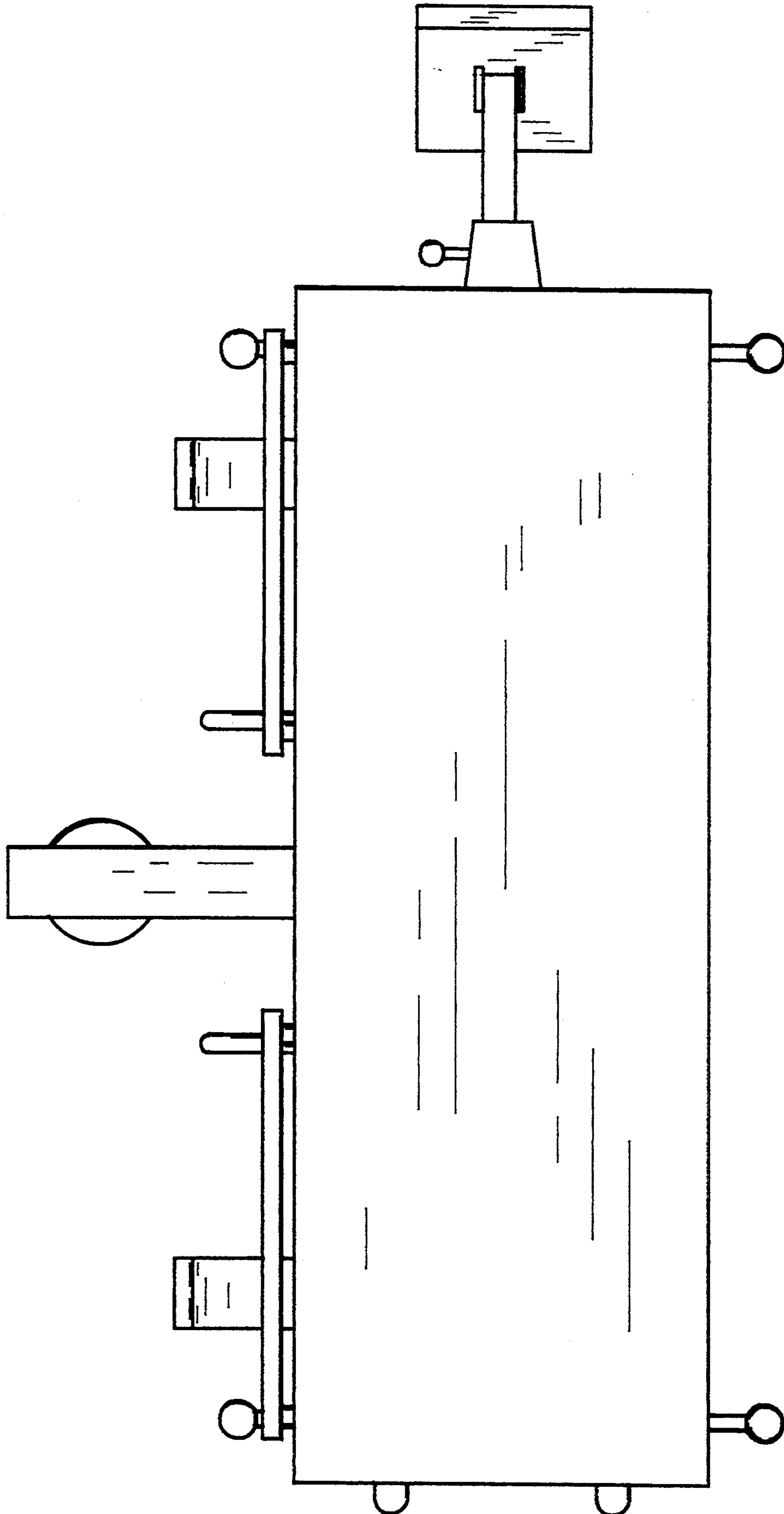


FIG. 5

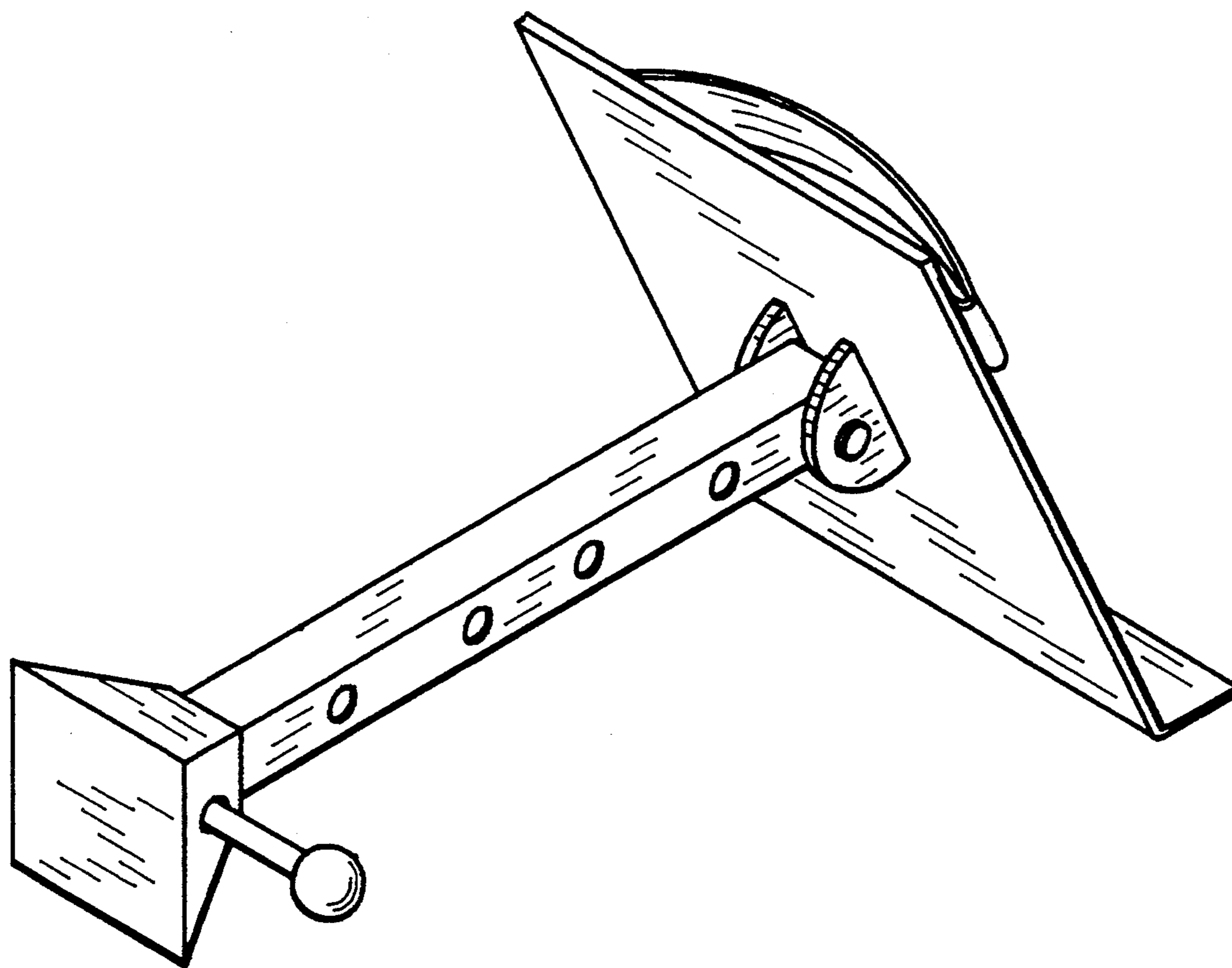


FIG. 6