



US00D358423S

United States Patent [19]

[11] Patent Number: **Des. 358,423**

Butz

[45] Date of Patent: **** May 16, 1995**

[54] **DAILY CALENDAR HOLDER/ORGANIZER**

[76] Inventor: **Mark A. Butz**, Buffalo Gap Rd.,
Abilene, Tex. 79606

[**] Term: **14 Years**

[21] Appl. No.: **19,271**

[22] Filed: **Feb. 28, 1994**

[52] U.S. Cl. **D19/77; D19/23;**
D19/21; D19/2; D19/78; D19/85

[58] Field of Search **D10/2, 3; D19/20, 21,**
D19/22, 23, 25, 65, 75, 77, 78, 81-85, 90, 95, 99,
100; 368/10; 206/214, 224, 371; 211/69.1-69.9;
40/107, 120-122

[56] **References Cited**

U.S. PATENT DOCUMENTS

D. 33,066 8/1900 Ganter D19/82 X
D. 104,243 4/1937 Chenoweh et al. D10/2

D. 209,156 11/1967 Machesney et al. D19/21 X
D. 250,653 12/1978 Tiedemann D19/85
D. 267,618 1/1983 Libtak D19/85 X
D. 277,556 2/1985 Pappas D10/2
D. 329,876 9/1992 Breen D19/85 X
3,845,614 11/1974 Christ D10/2 X

Primary Examiner—Martie Thompson

[57] **CLAIM**

The ornamental design for a daily calendar holder/organizer, as shown and described.

DESCRIPTION

FIG. 1 is a front elevational view of the daily calendar holder/organizer showing my new design; FIG. 2 is a rear elevational view thereof; FIG. 3 is a left side elevational view thereof; FIG. 4 is a right side elevational view thereof; FIG. 5 is a top plan view thereof; FIG. 6 is a bottom plan view thereof; and, FIG. 7 is an isometric view thereof.

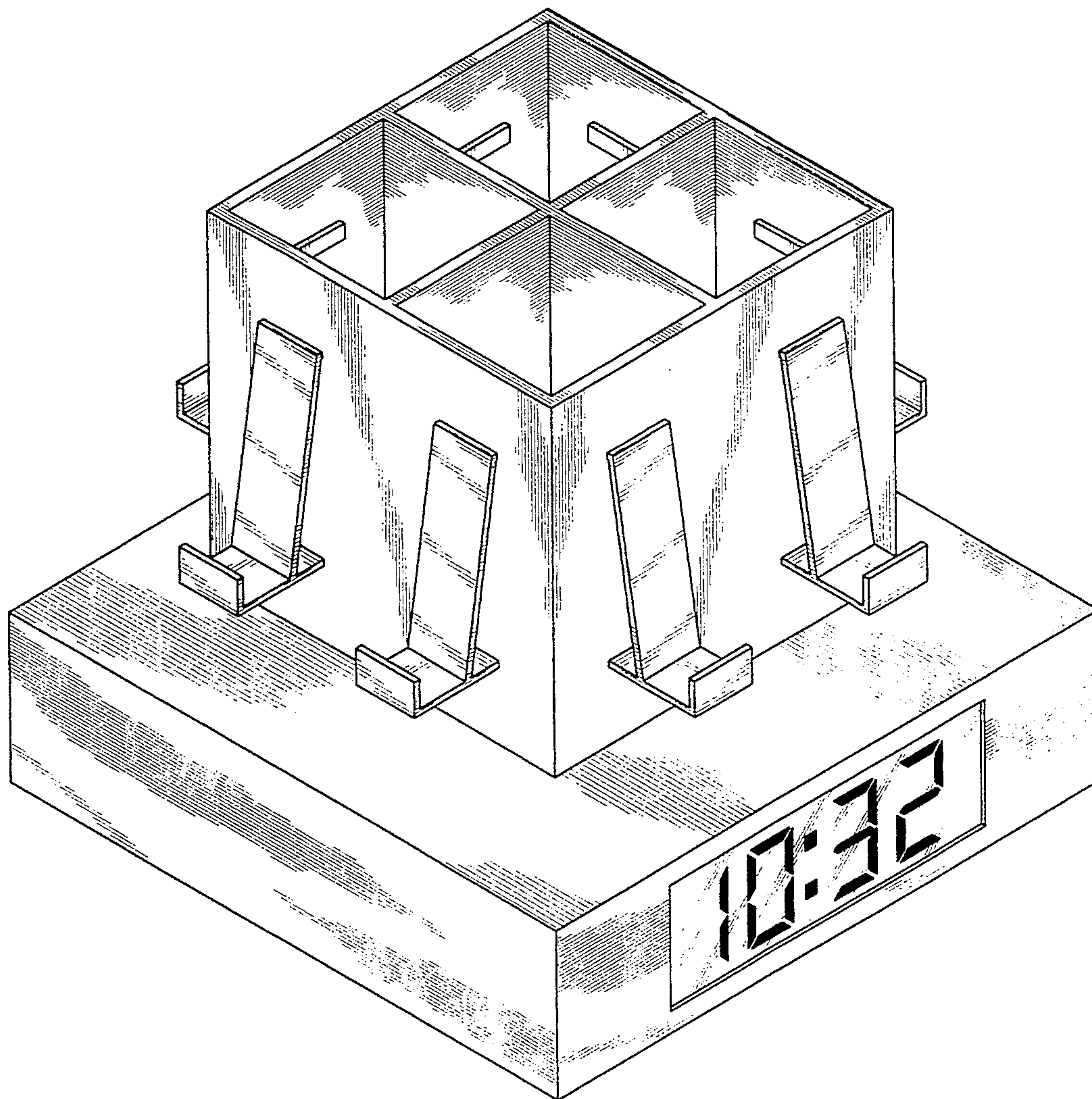


FIG. 1

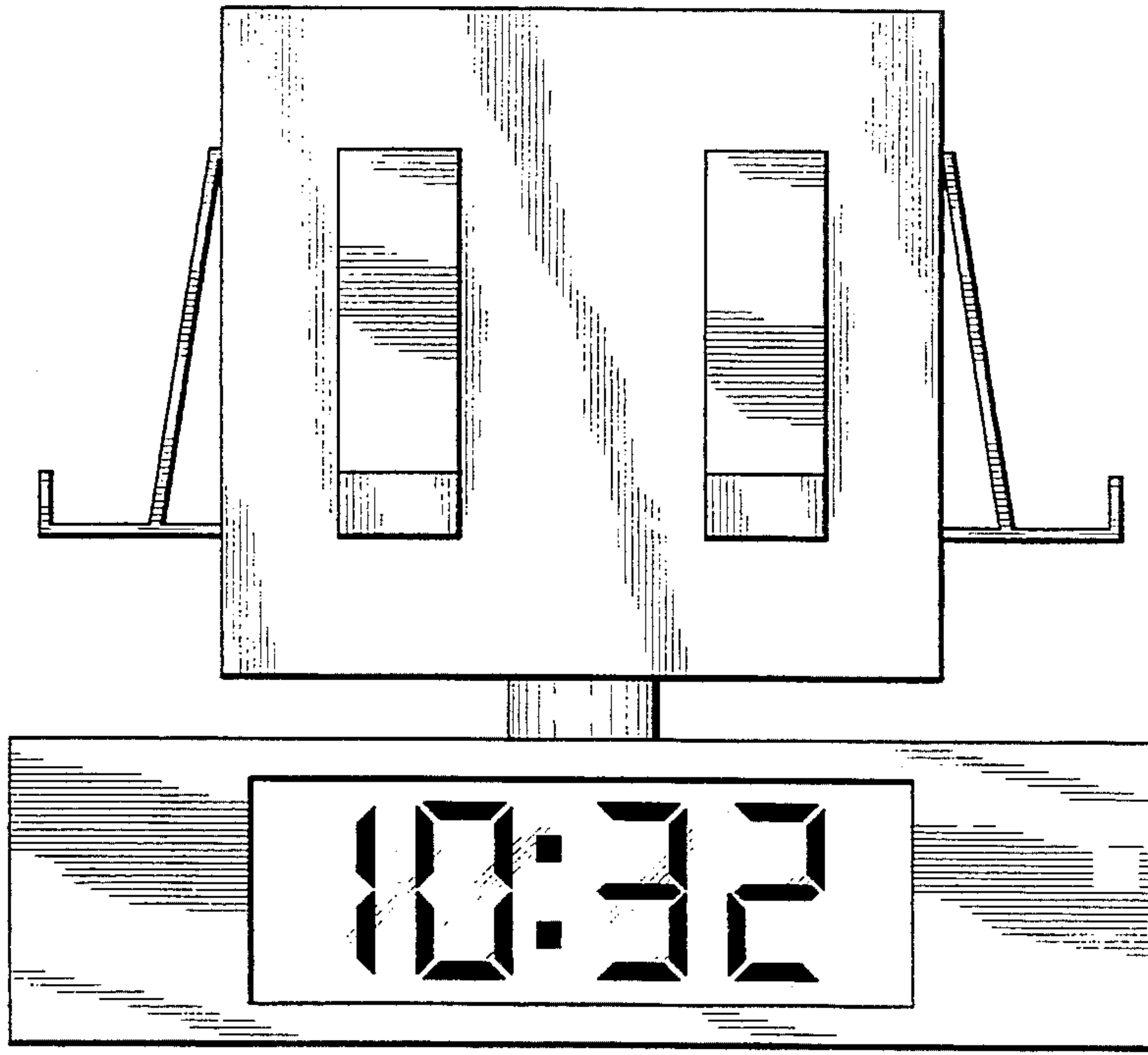


FIG. 2

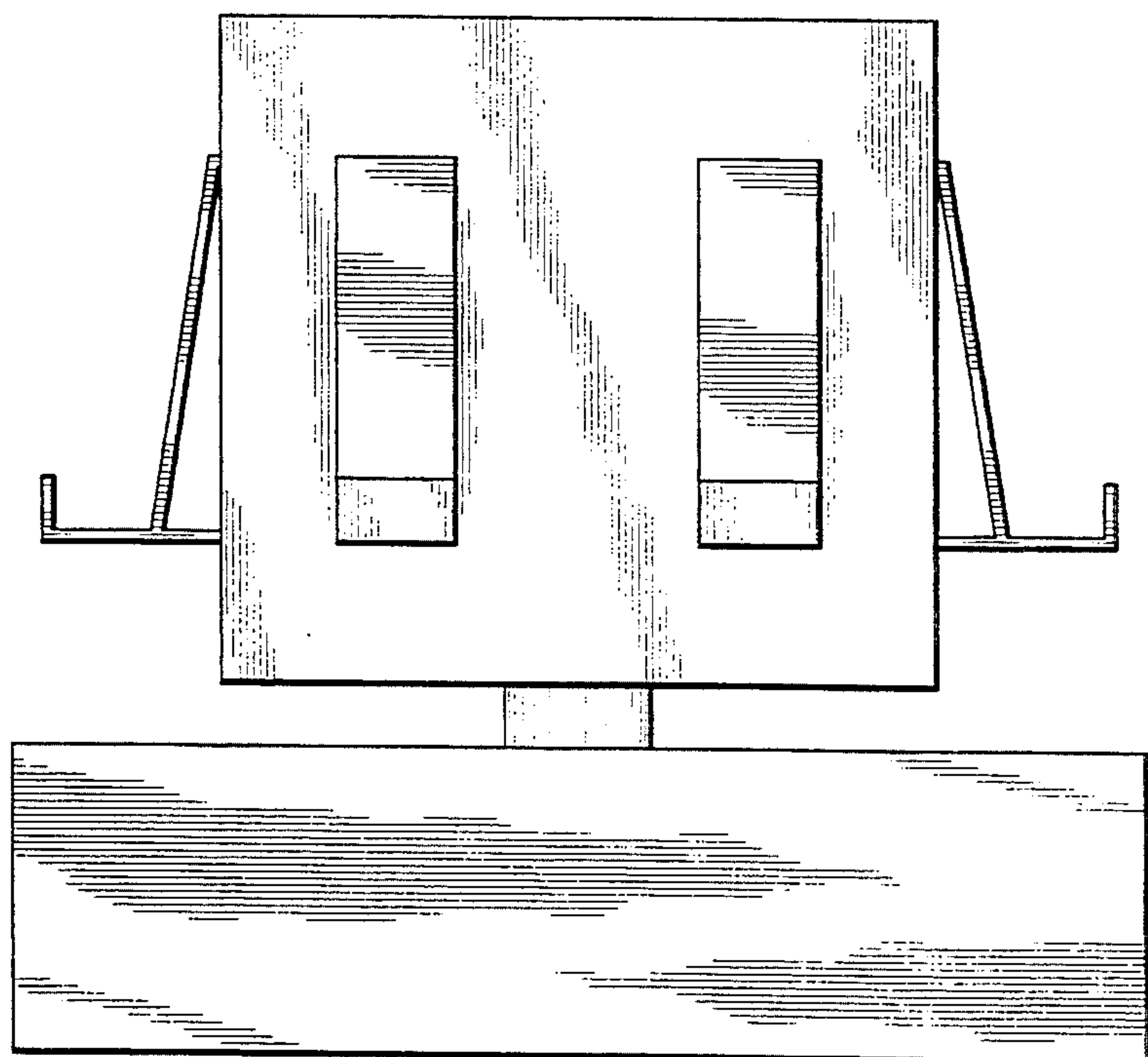


FIG. 3

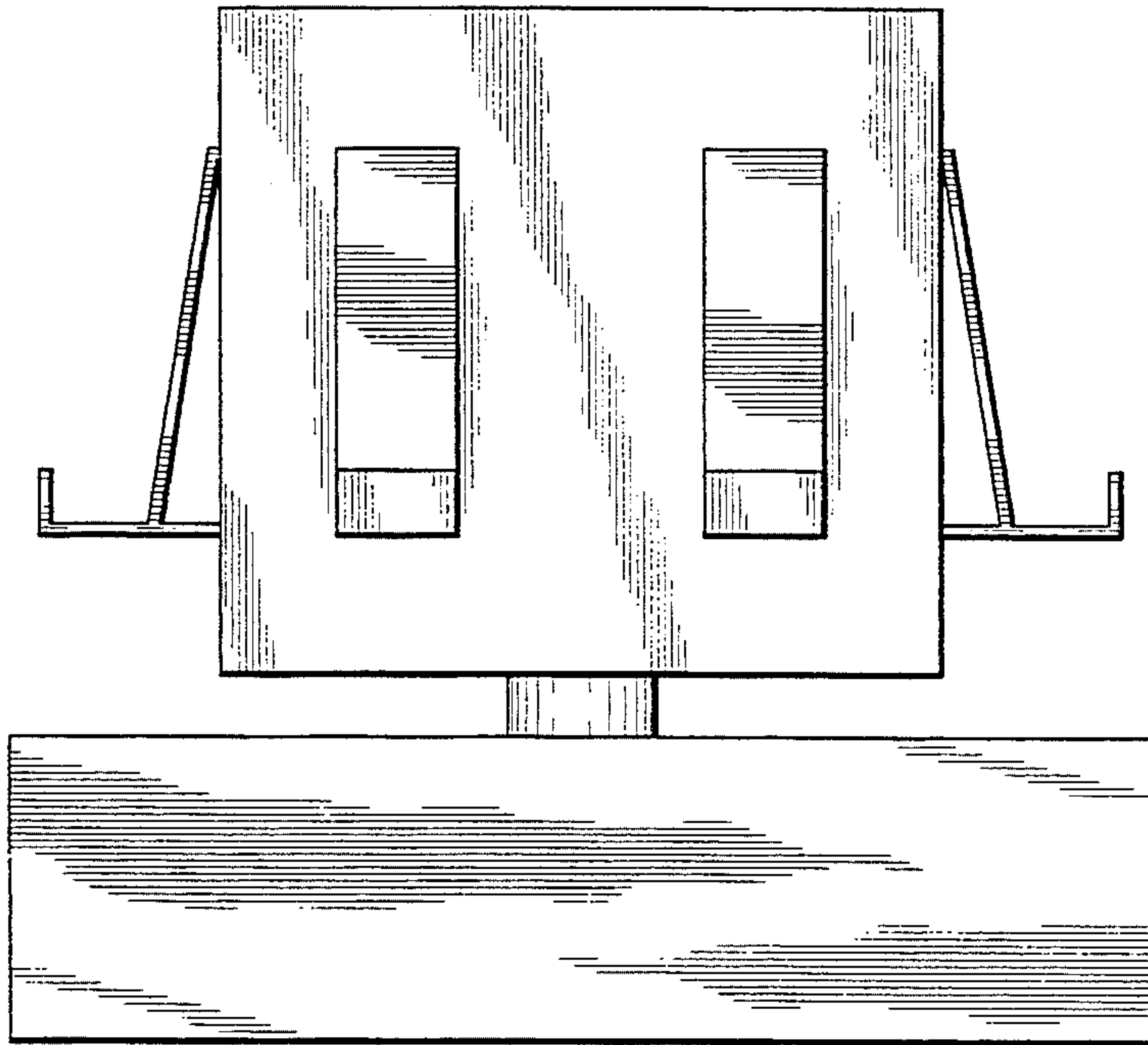


FIG. 4

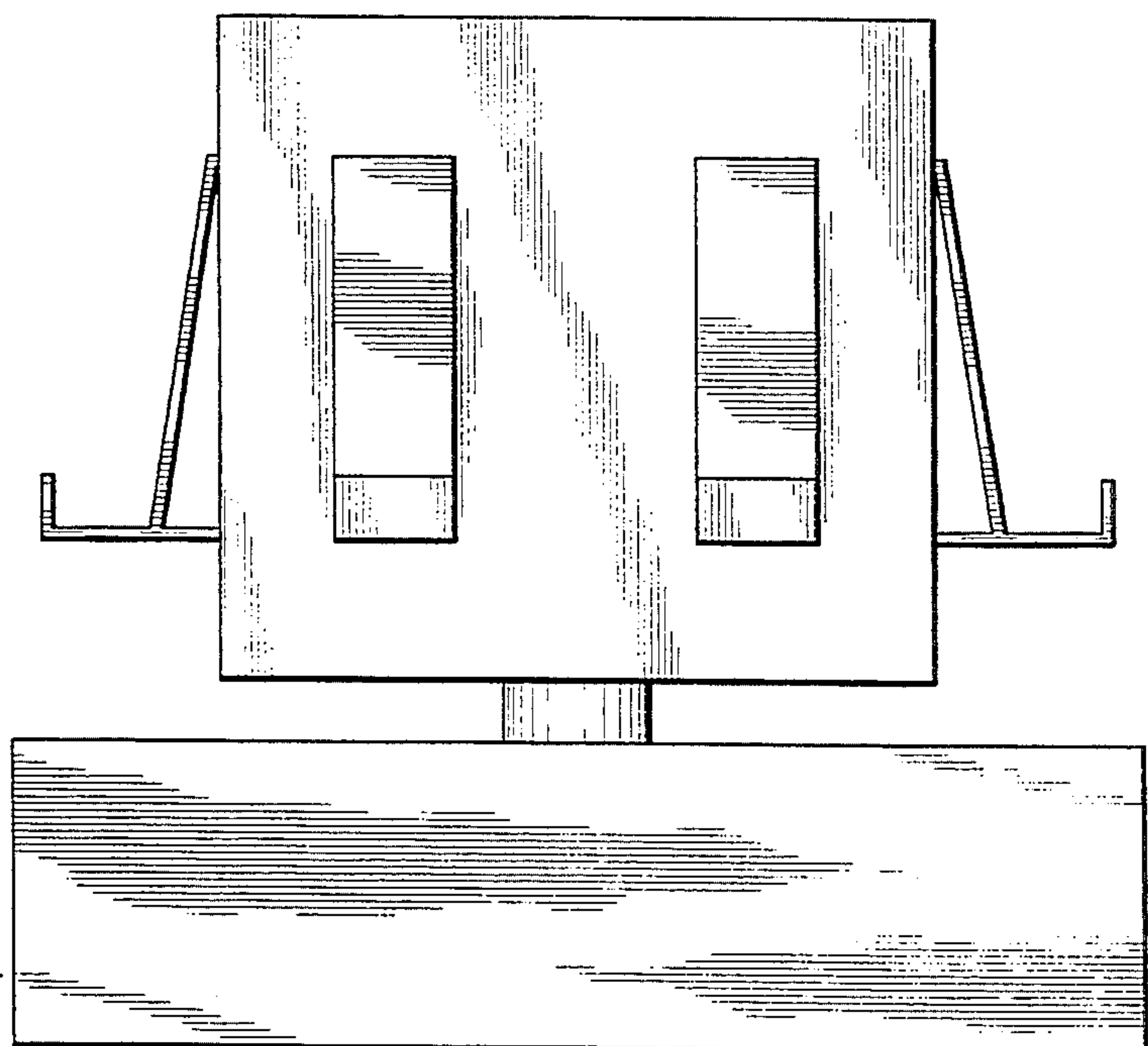


FIG. 5

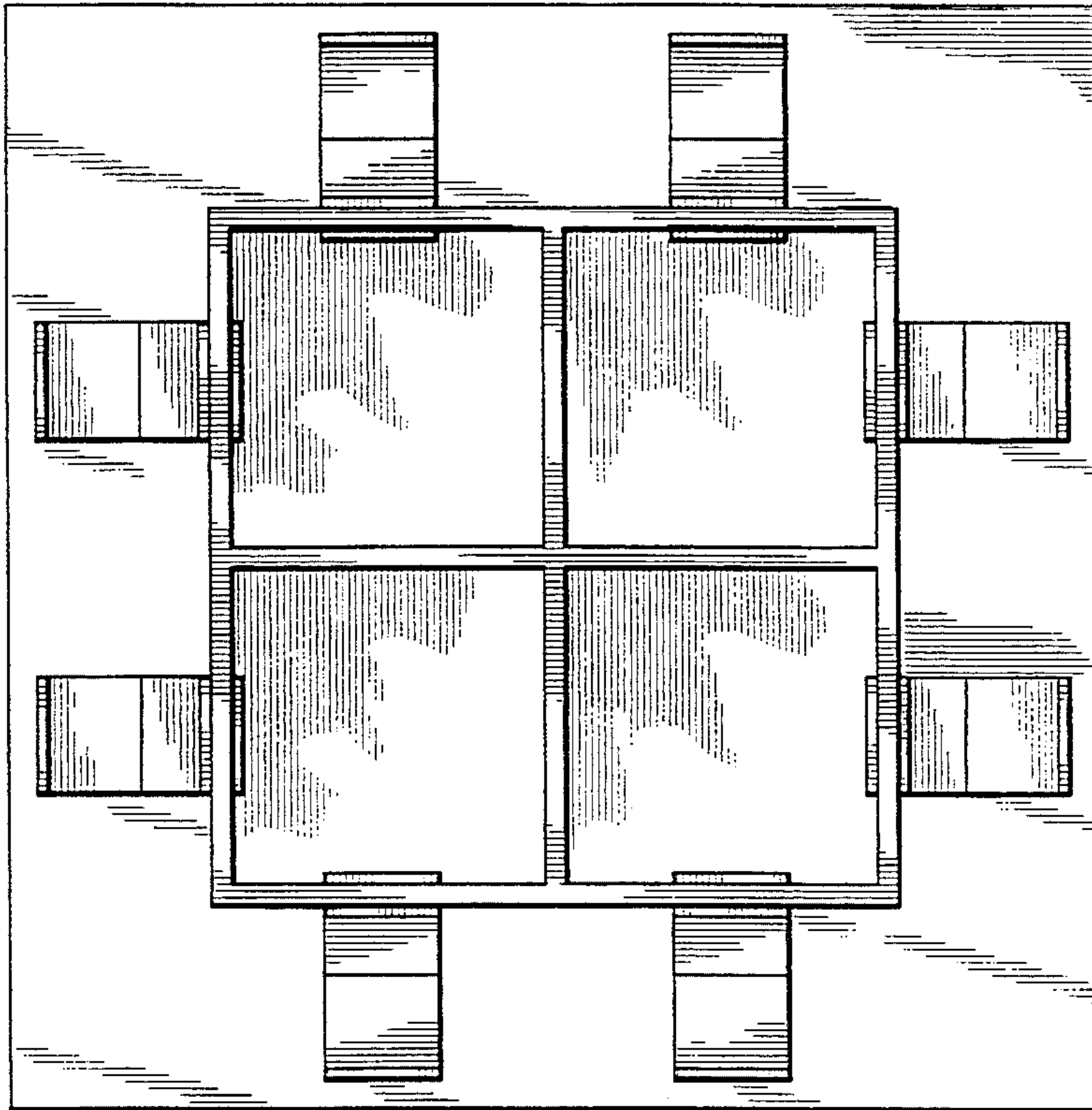


FIG. 6



FIG. 7

