



US00D358421S

United States Patent [19]

[11] Patent Number: **Des. 358,421**

Chow et al.

[45] Date of Patent: **** May 16, 1995**

[54] **ELECTRONIC EDUCATIONAL ACTIVITY TOY**

D. 349,300 8/1994 Lau D19/62
4,065,125 12/1977 Cham D21/17 X

[75] Inventors: **Chi Ka-Wah Chow, Shatin; Frederick Lam-Tak Tsang, Sai Ying Pun, both of Hong Kong**

OTHER PUBLICATIONS

Photocopies of portions of packaging for "Activity Table", Fisher-Price, Inc., dated 1992.

[73] Assignee: **Vtech Industries, Inc., Wheeling, Ill.**

Primary Examiner—James M. Gandy
Assistant Examiner—Pamela Burgess
Attorney, Agent, or Firm—Dick and Harris

[**] Term: **14 Years**

[57] CLAIM

[21] Appl. No.: **15,224**

The ornamental design for an electronic educational activity toy, as shown and described.

[22] Filed: **Nov. 10, 1993**

[52] U.S. Cl. **D19/60**

[58] Field of Search D19/59, 60, 64, 62;
D21/17, 14, 13; D6/484, 511; D14/106;
434/201, 202, 323

DESCRIPTION

[56] References Cited

U.S. PATENT DOCUMENTS

D. 197,339 1/1964 Jaffe D19/64 X
D. 268,274 3/1983 Greenburg D19/59 X
D. 333,060 2/1993 Perego D6/511
D. 348,483 7/1994 Chow et al. D19/62

FIG. 1 is a reduced scale top perspective view of the electronic educational activity toy, showing our new design;

FIG. 2 is a top plan view thereof;

FIG. 3 is a bottom view thereof;

FIG. 4 is a right side elevation thereof;

FIG. 5 is a left side elevation thereof;

FIG. 6 is a front elevation thereof; and,

FIG. 7 is a rear elevation thereof.

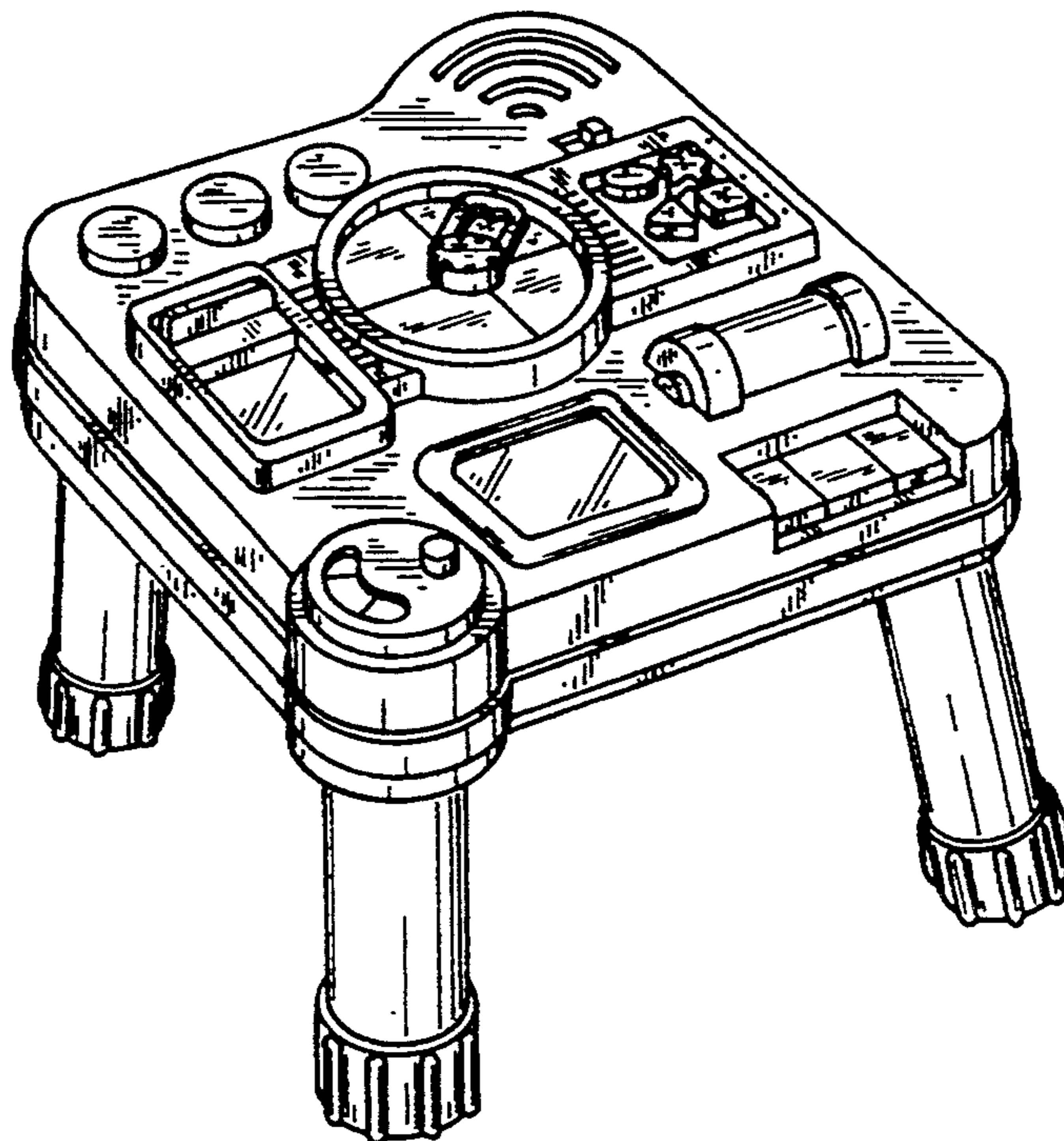


FIG. 1

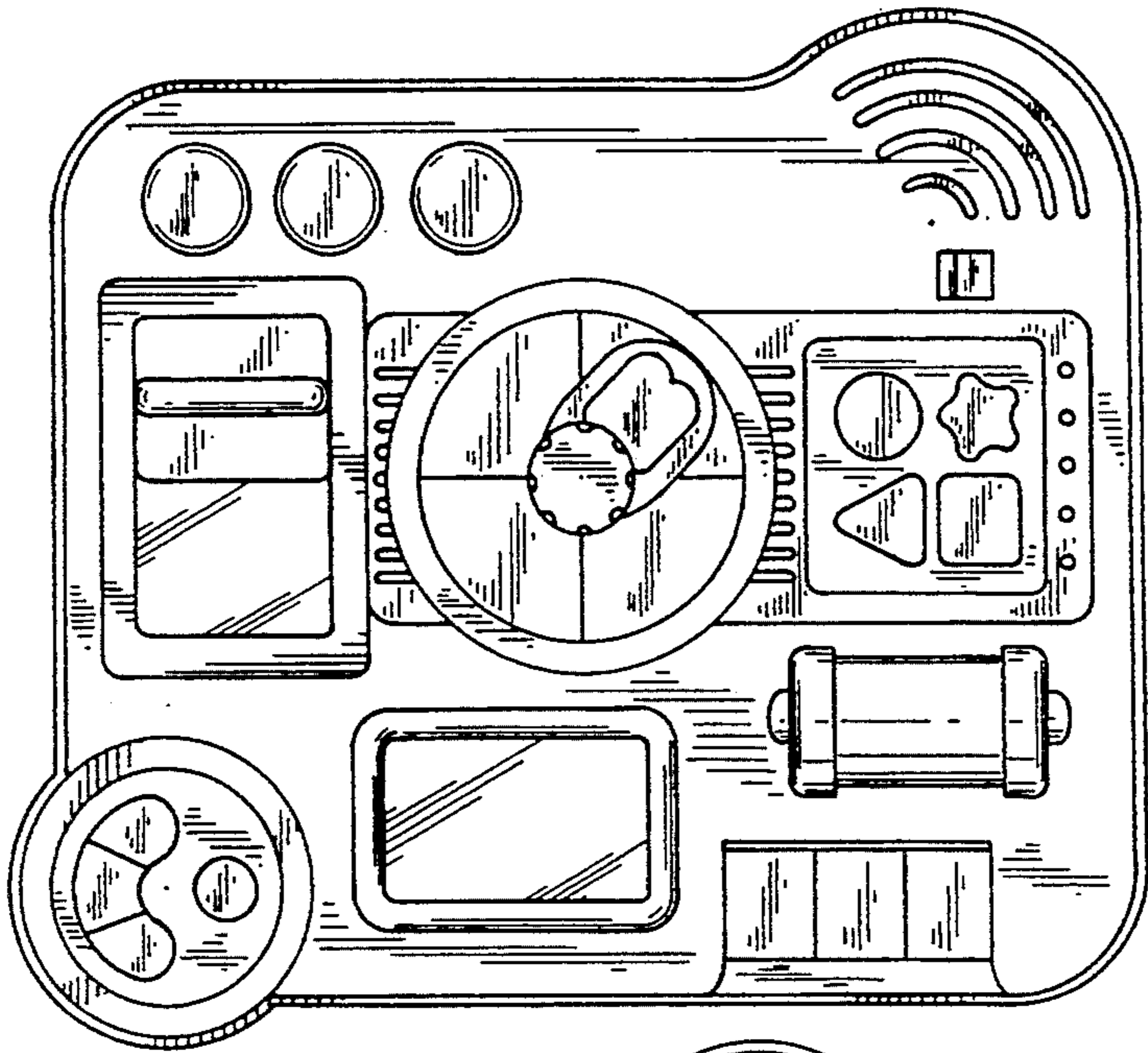
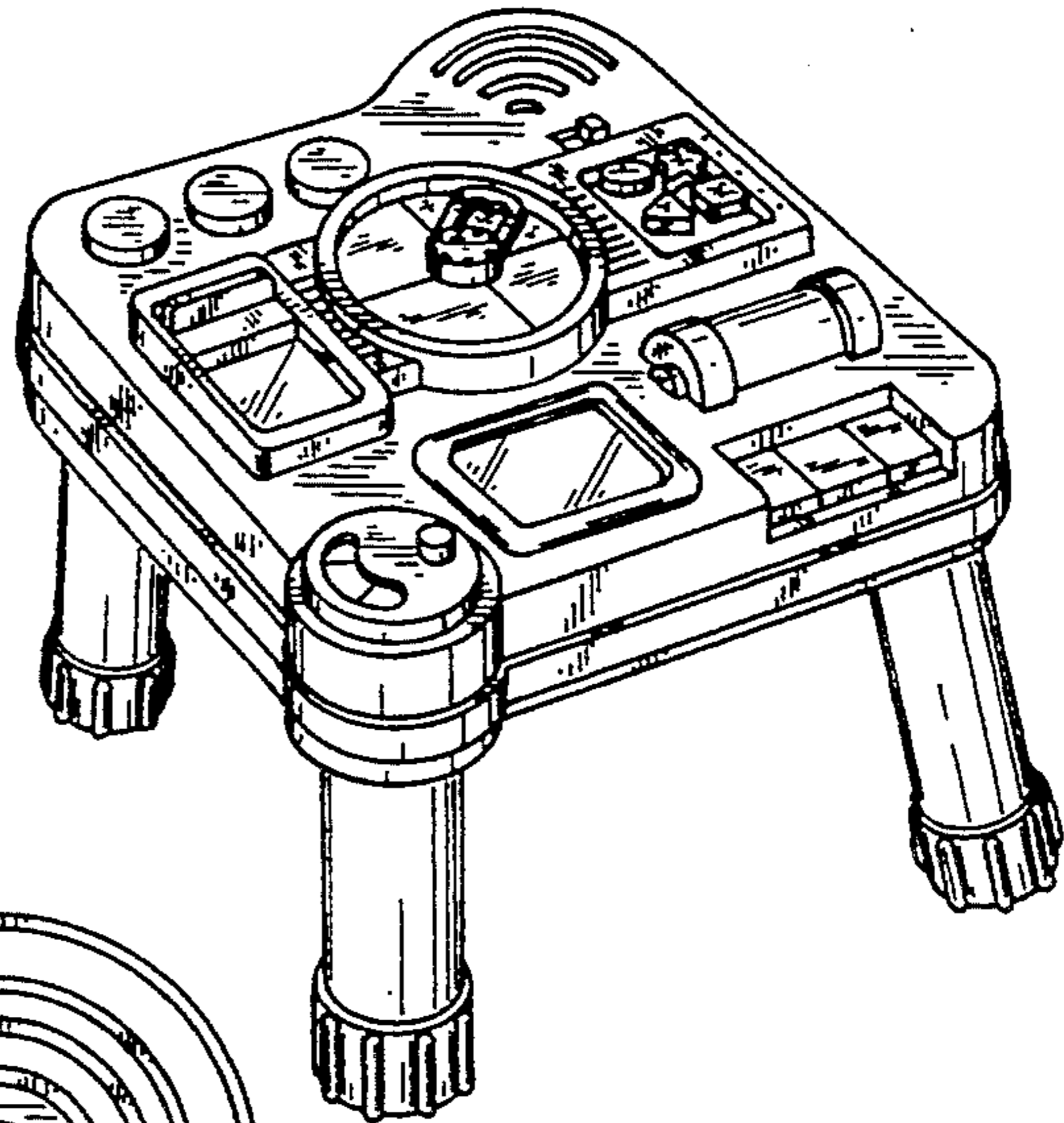
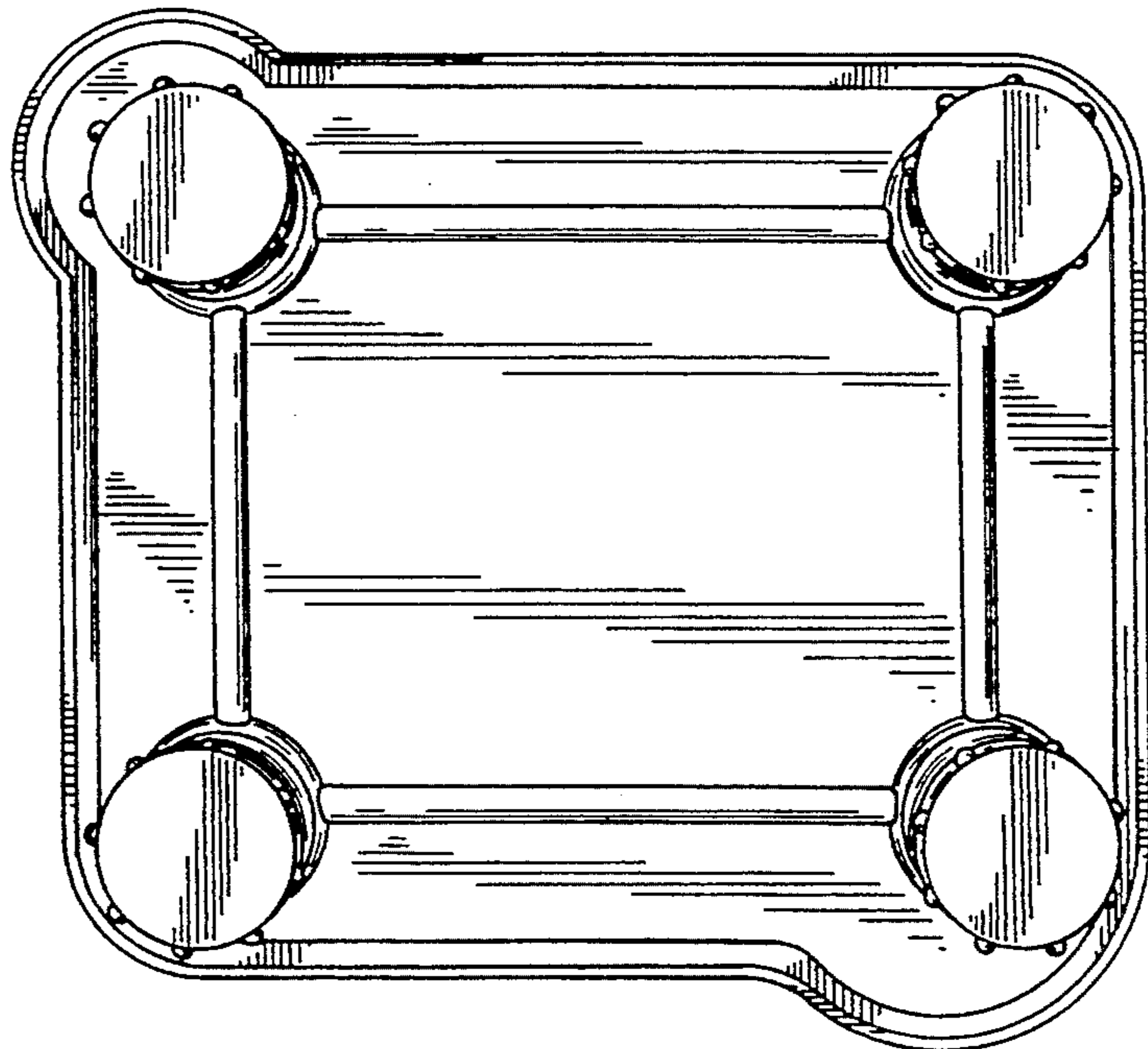


FIG. 2

FIG. 3



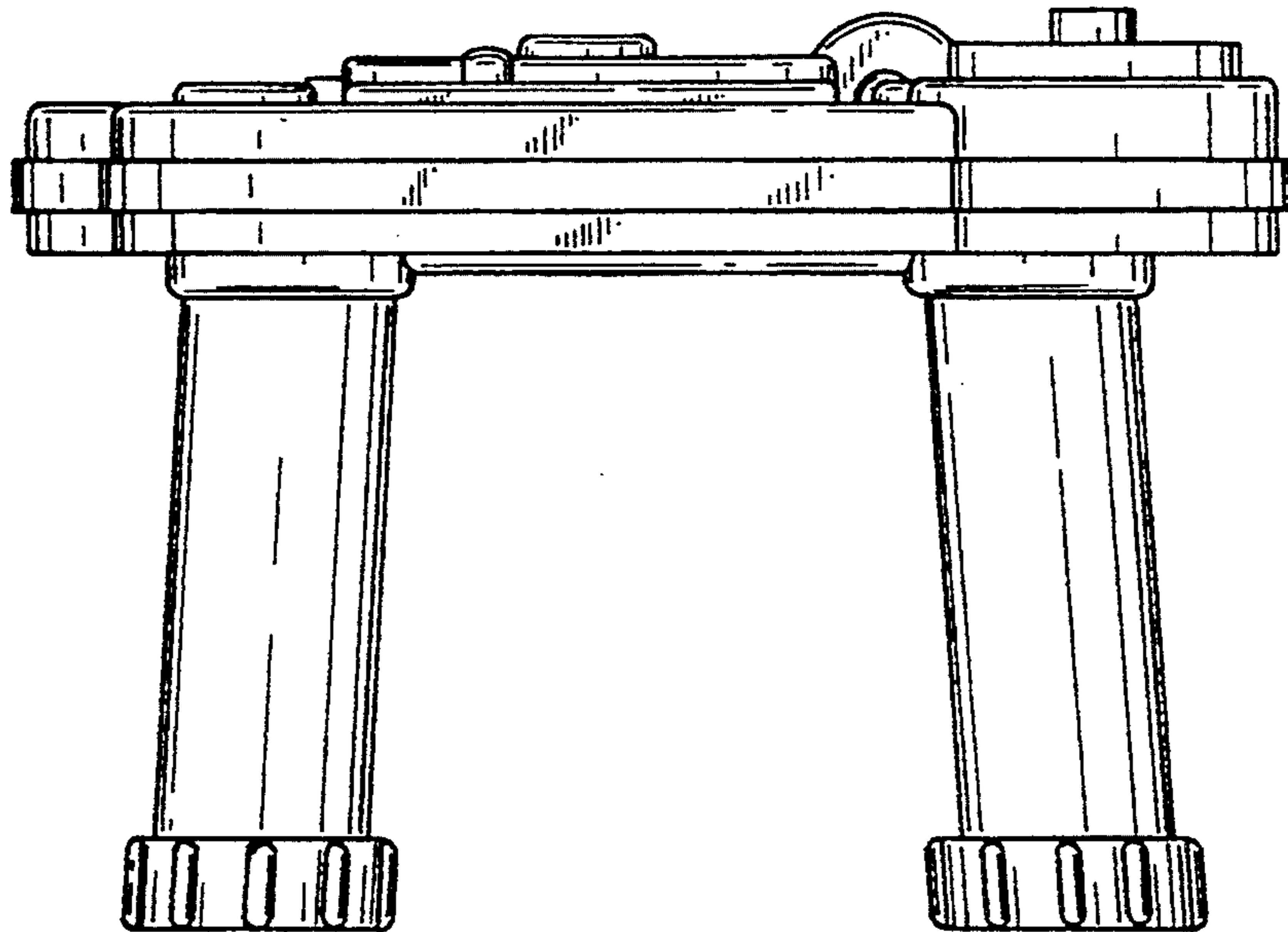


FIG. 4

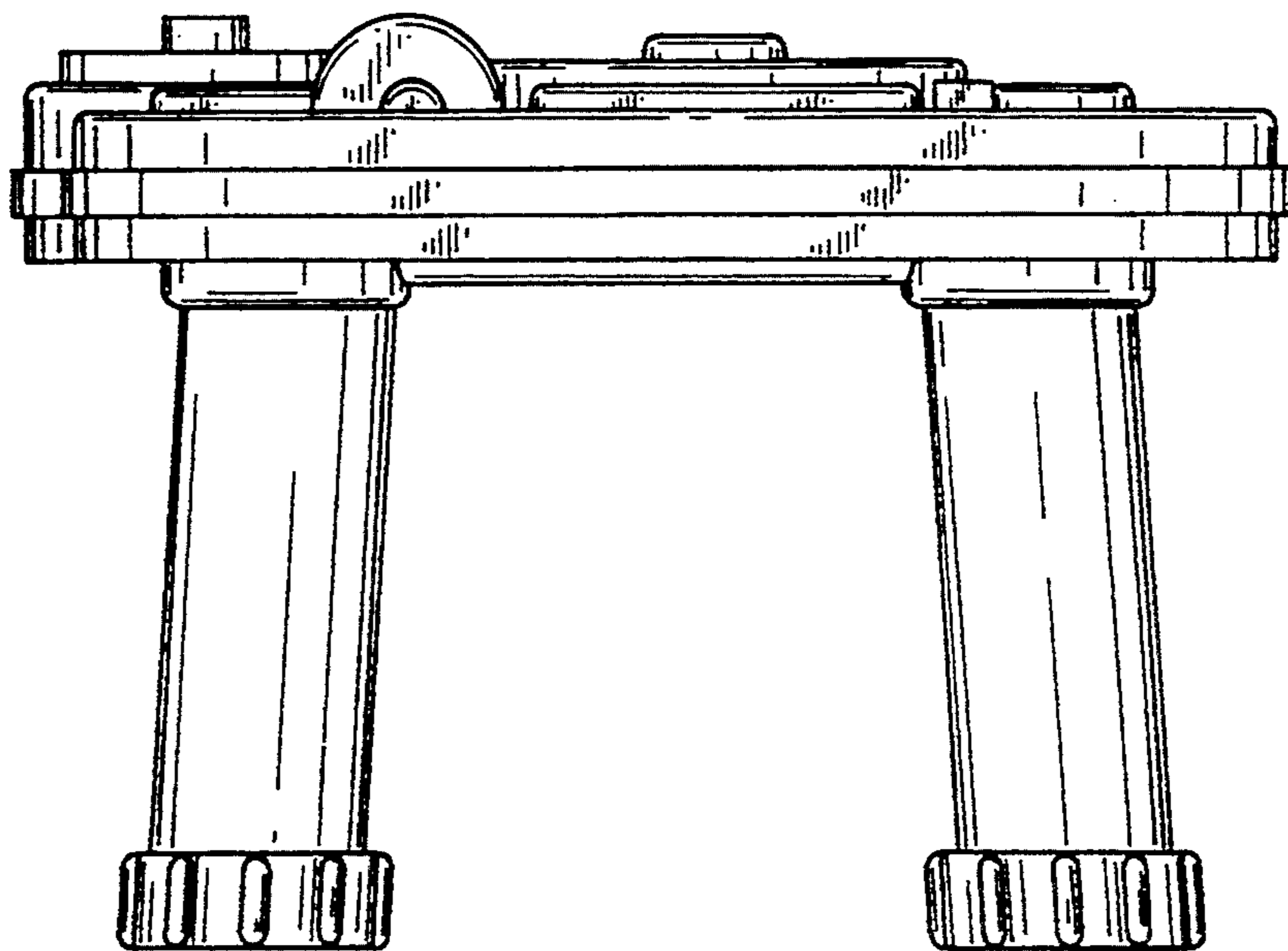


FIG. 5

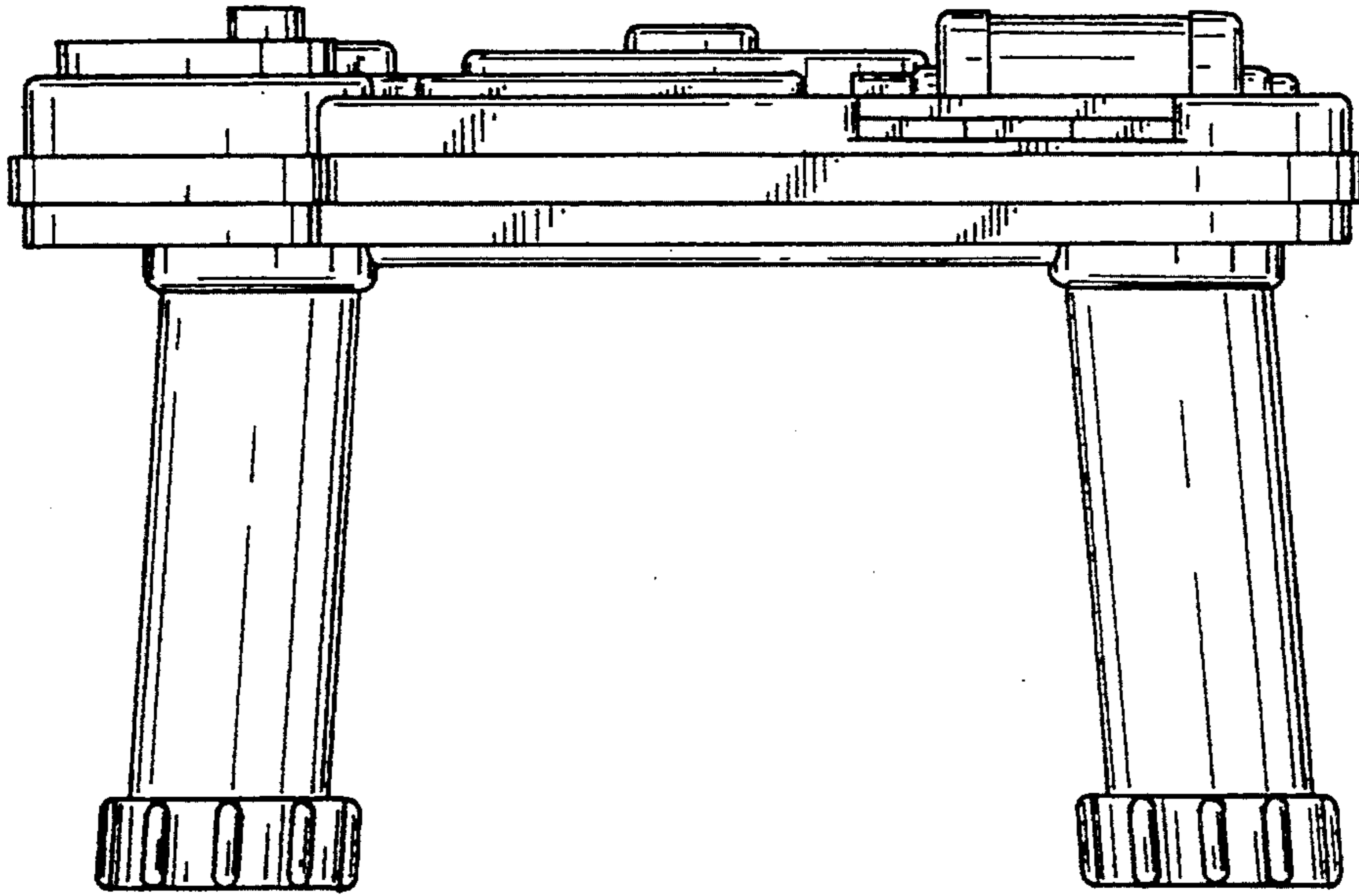


FIG. 6

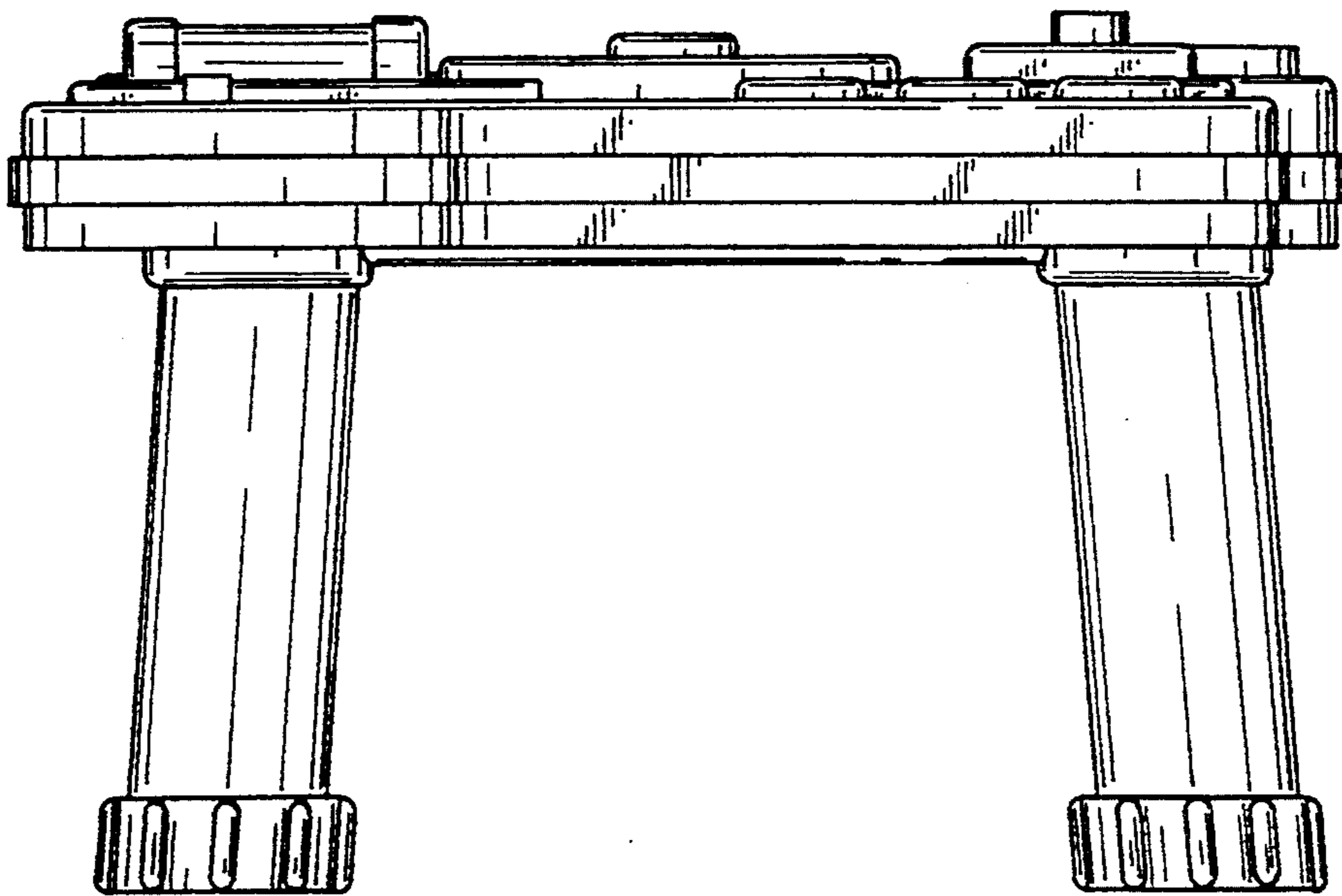


FIG. 7