



US00D358416S

# United States Patent [19]

[11] Patent Number: **Des. 358,416**

**Kishino**

[45] Date of Patent: **\*\* May 16, 1995**

- [54] **CLEANING PAD FOR USE IN PRINTERS**
- [75] Inventor: **Minoru Kishino**, Kanagawa, Japan
- [73] Assignee: **Olympus Optical Co., Ltd.**, Tokyo, Japan
- [\*\*] Term: **14 Years**
- [21] Appl. No.: **889,092**
- [22] Filed: **May 26, 1992**
- [52] U.S. Cl. .... **D18/56; D32/40**
- [58] Field of Search ..... **D32/35, 40; D18/99, D18/18, 56, 58; 15/210.1; 101/423, 425**

Image Systems, Inc., Irving, California 92713, Jan., 1992.

*Primary Examiner*—James M. Gandy  
*Assistant Examiner*—Lavone D. Tabor  
*Attorney, Agent, or Firm*—Frishauf, Holtz, Goodman & Woodward

### [57] CLAIM

The ornamental design for a cleaning pad for use in printers, as shown.

### DESCRIPTION

FIG. 1 is a top plan view of a cleaning pad for use in printers showing my new design;  
FIG. 2 is a front elevational view thereof;  
FIG. 3 is a bottom plan view thereof;  
FIG. 4 is a rear elevational view thereof;  
FIG. 5 is a right side elevational view thereof;  
FIG. 6 is a left side elevational view thereof;  
FIG. 7 is a front perspective view thereof; and,  
FIG. 8 is a rear perspective view thereof.

- [56] **References Cited**
- U.S. PATENT DOCUMENTS**
- D. 280,109 8/1985 Lewis et al. .... D18/99
- B 579,116 2/1976 Fathergill et al. .... 101/425 X
- 3,759,220 9/1973 Saito et al. .... 101/425 X
- 3,761,994 10/1973 Becht ..... 15/210.1
- OTHER PUBLICATIONS**
- Brochure describing Series 2000 Imaging Printers,

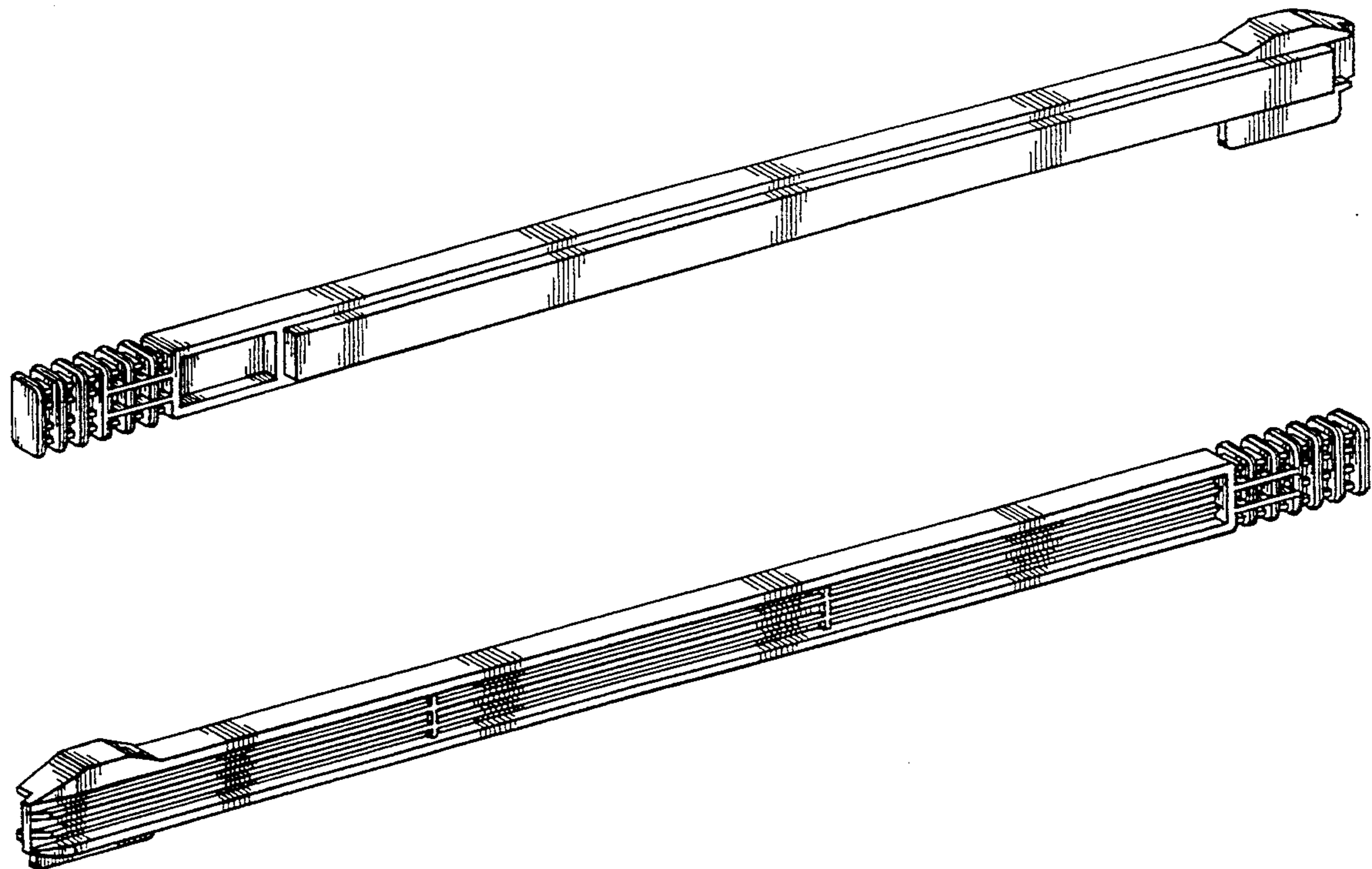


FIG. 1

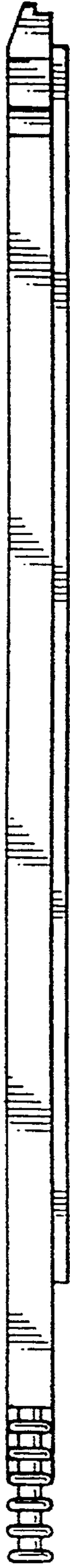


FIG. 2

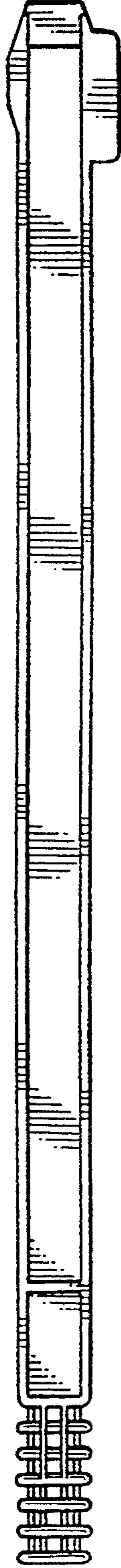


FIG. 5



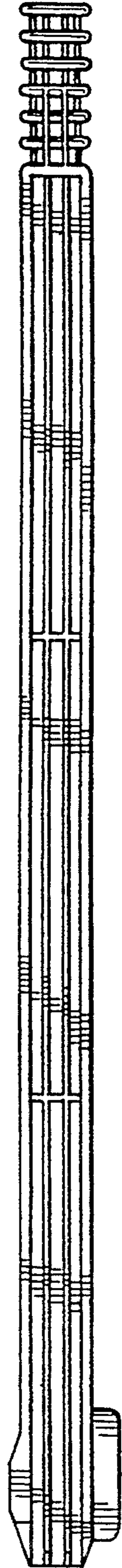
FIG. 3



FIG. 6



FIG. 4



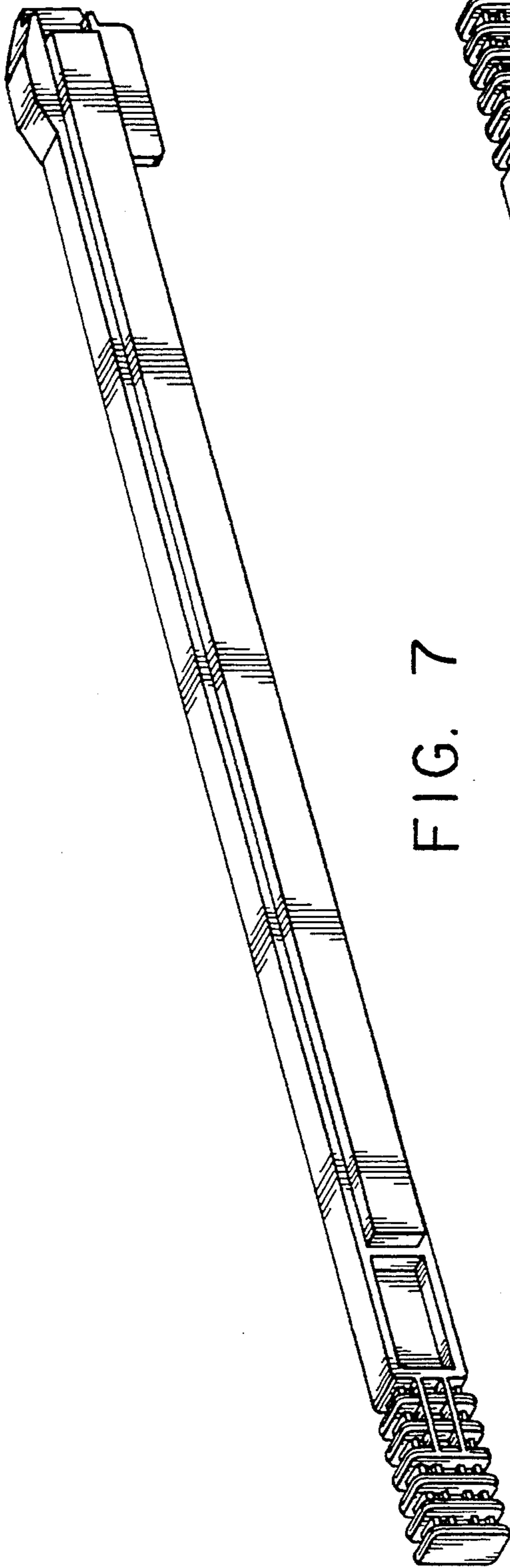


FIG. 7

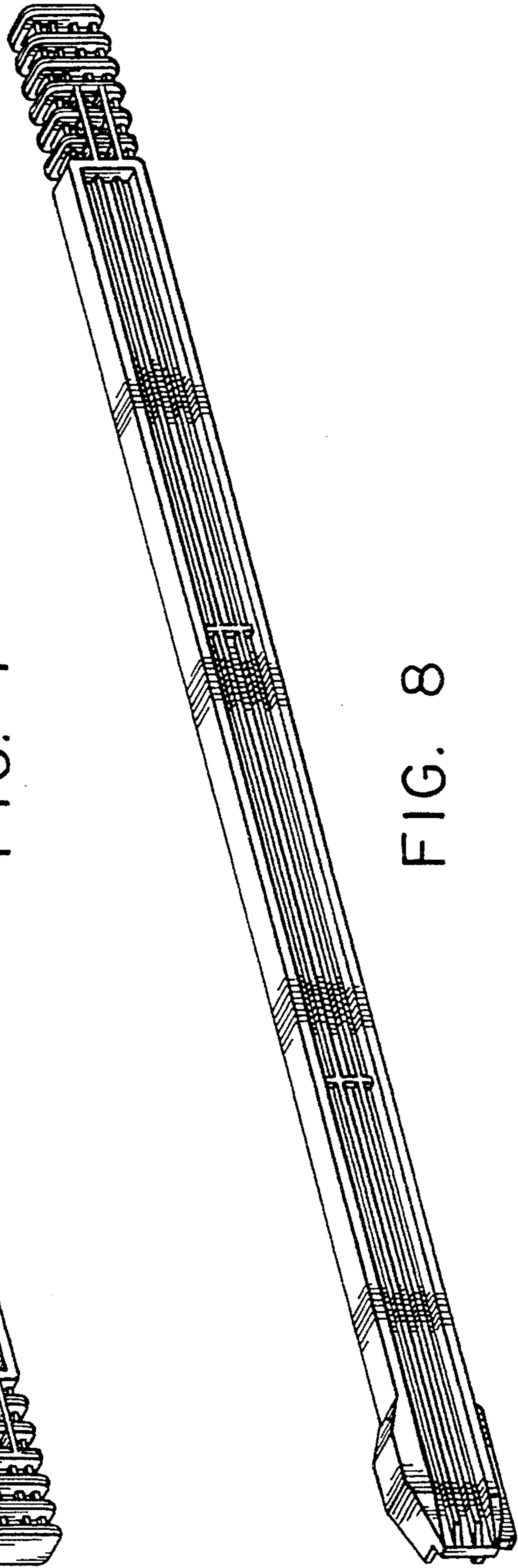


FIG. 8