



US00D358415S

# United States Patent [19] Klein

[11] Patent Number: **Des. 358,415**

[45] Date of Patent: **\*\* May 16, 1995**

[54] MAILING MACHINE

[75] Inventor: **Charles W. Klein**, Stratford, Conn.

[73] Assignee: **Pitney Bowes Inc.**, Stamford, Conn.

[\*\*] Term: **14 Years**

[21] Appl. No.: **20,018**

[22] Filed: **Mar. 16, 1994**

[52] U.S. Cl. .... **D18/51**

[58] Field of Search ..... D18/51; 101/91, 103, 101/329, 348, 235; 209/584, 900; 271/10, 11, 185, 225, 227, 258; 318/131, 134, 138, 228.1, 268, 254, 282, 561, 599, 696, 685, 35, DIG. 1; 364/464.02, 468, 469, 571.01, 559, 140, 148

D. 263,152 2/1982 Bergerioux ..... D18/51  
 D. 330,386 10/1992 Doeberl et al. .... D18/51  
 4,576,287 3/1986 Bingham et al. .... 209/900 X  
 4,739,343 4/1988 Dolan ..... D18/51 X

*Primary Examiner*—Alan P. Douglas  
*Assistant Examiner*—Antoine D. Davis  
*Attorney, Agent, or Firm*—Melvin J. Scolnick; David E. Pitchenik; Steven J. Shapiro

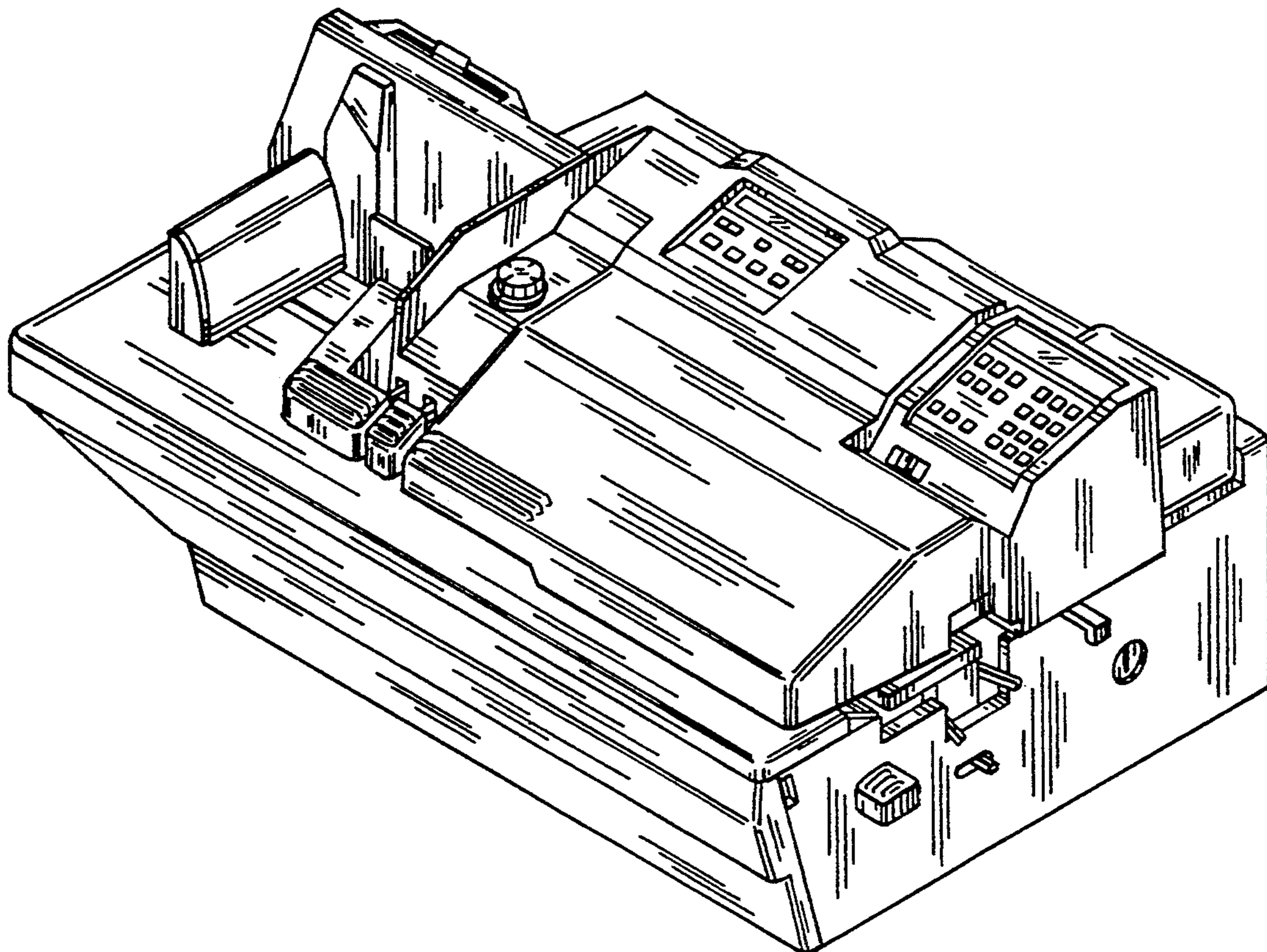
### [57] CLAIM

The ornamental design for a mailing machine, as shown and described.

### DESCRIPTION

FIG. 1 is a perspective view of the mailing machine; FIG. 2 is a frontal view of the mailing machine; FIG. 3 is a top view of the mailing machine; FIG. 4 is a right side view of the mailing machine; FIG. 5 is a left side view of the mailing machine; and, FIG. 6 is a back view of the mailing machine.

[56] **References Cited**  
**U.S. PATENT DOCUMENTS**  
 D. 257,153 9/1980 Woods et al. .... D18/51



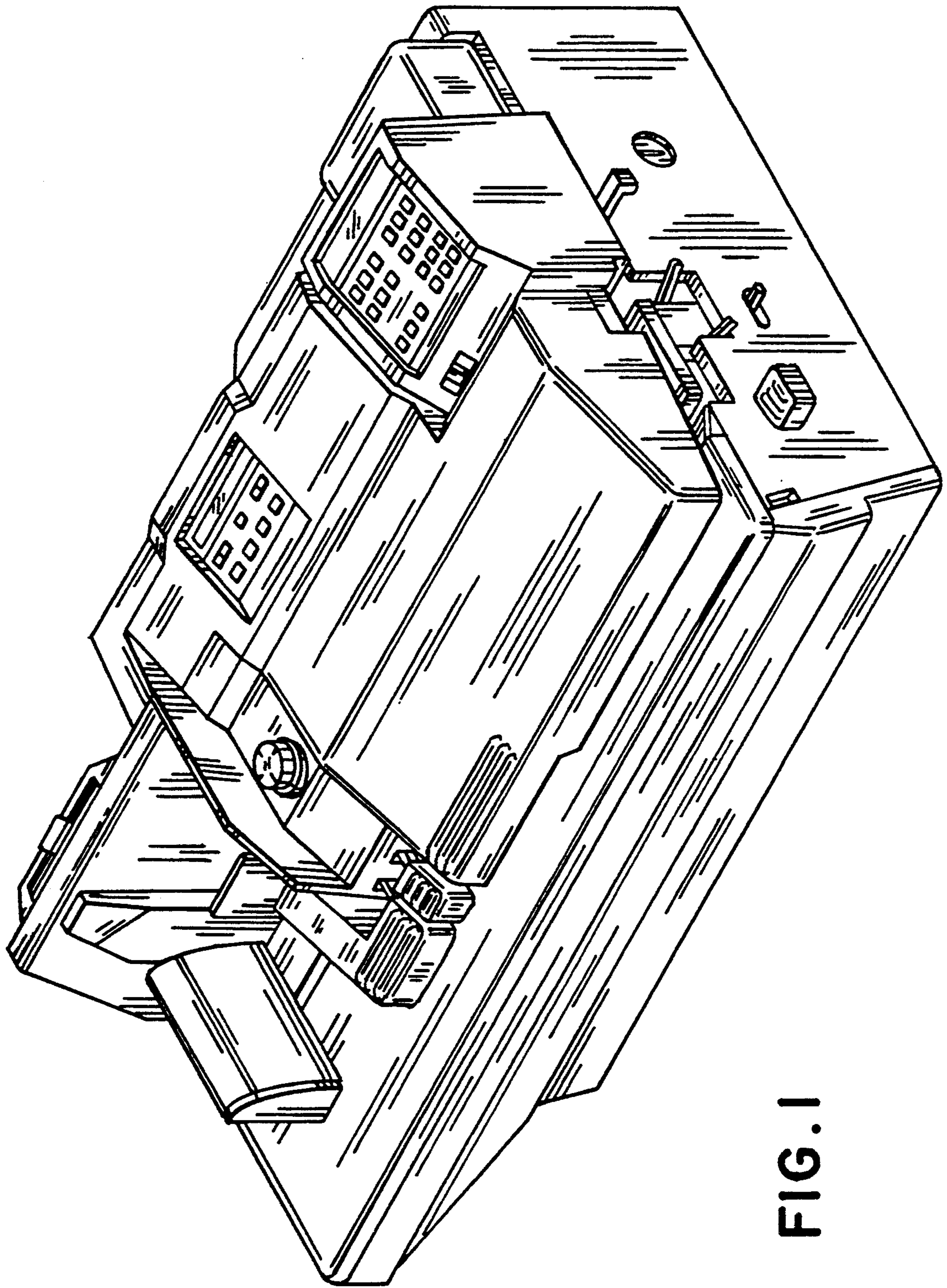


FIG. 1

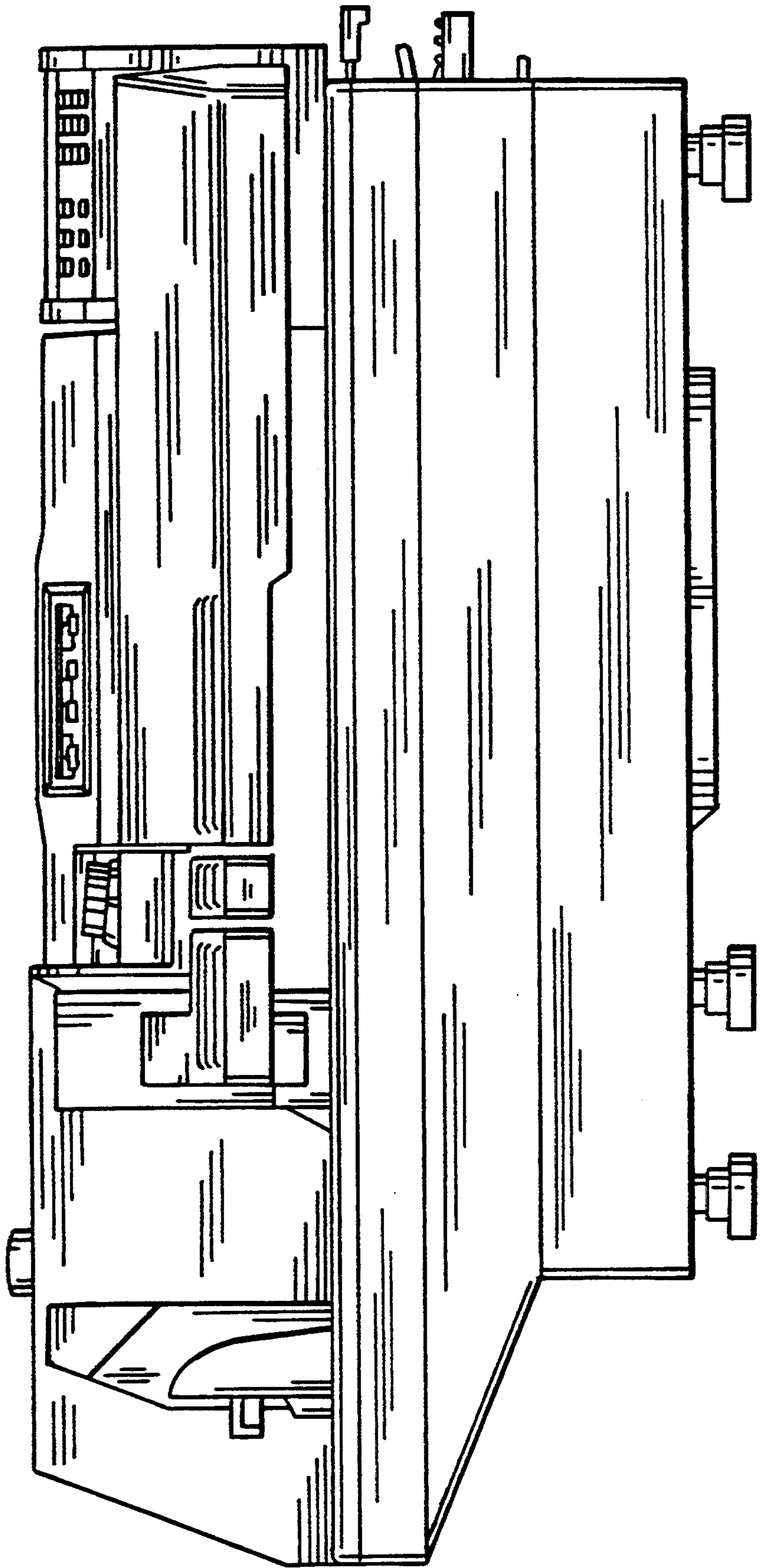


FIG. 2

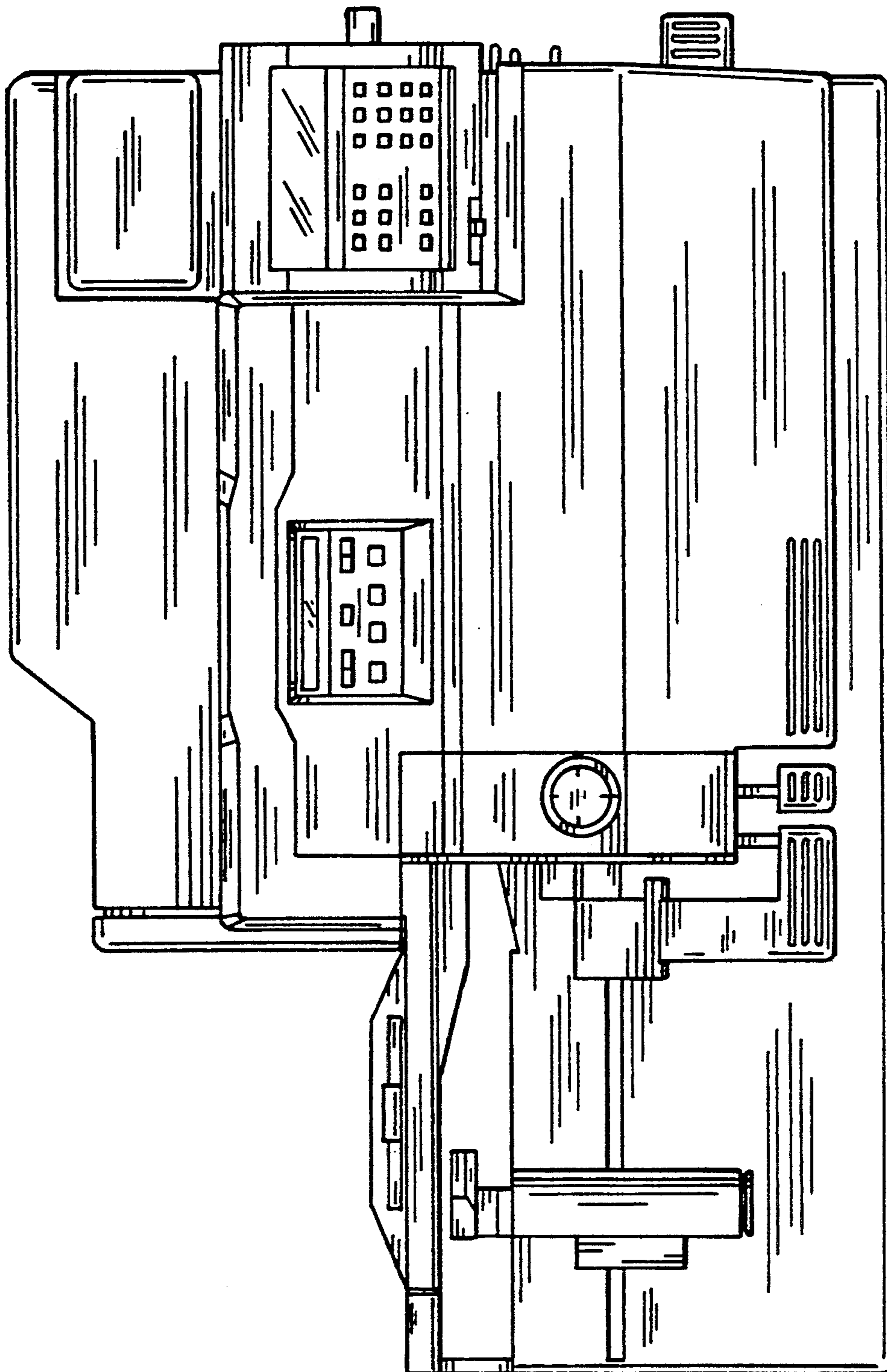


FIG. 3

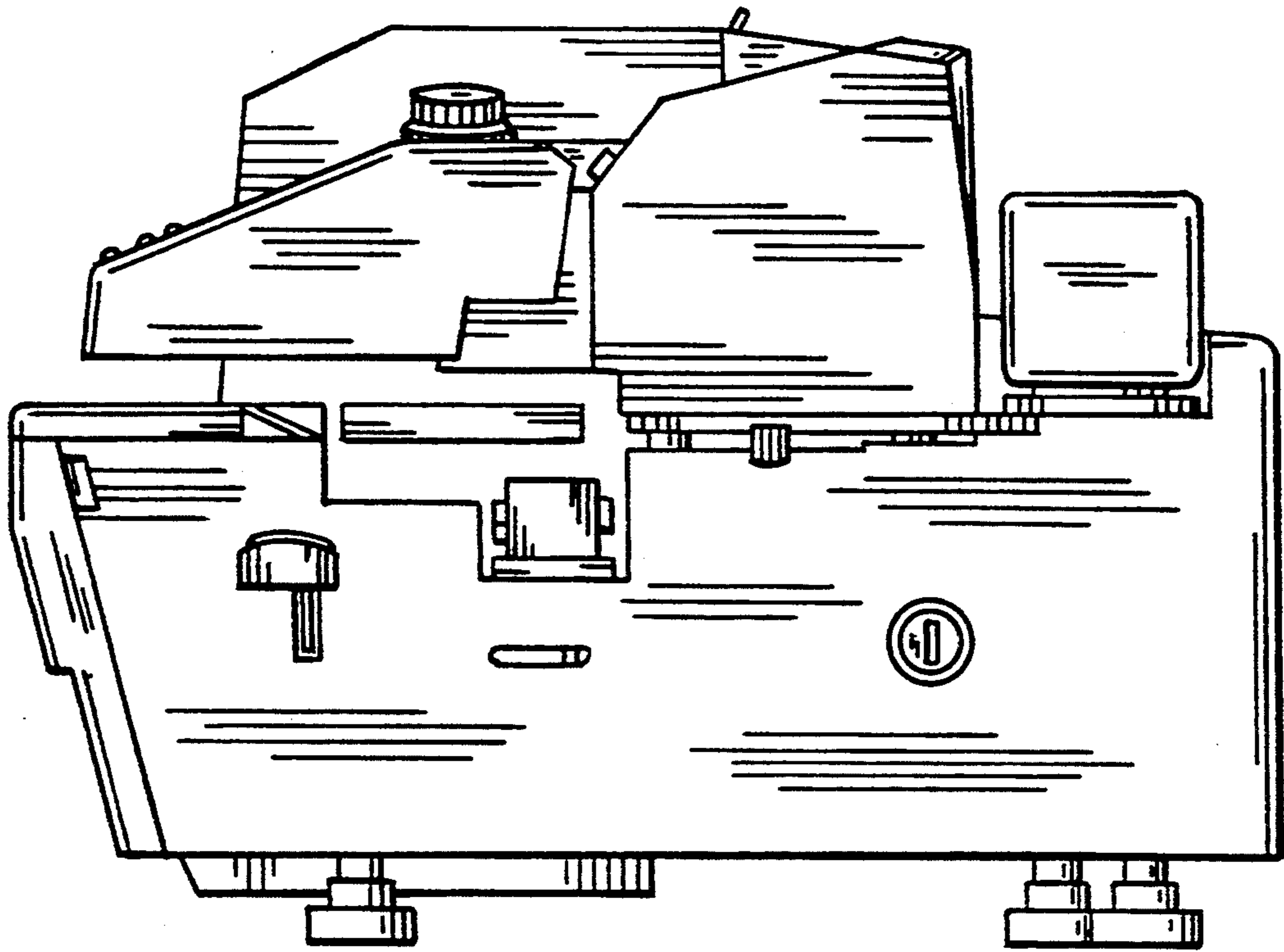


FIG. 4

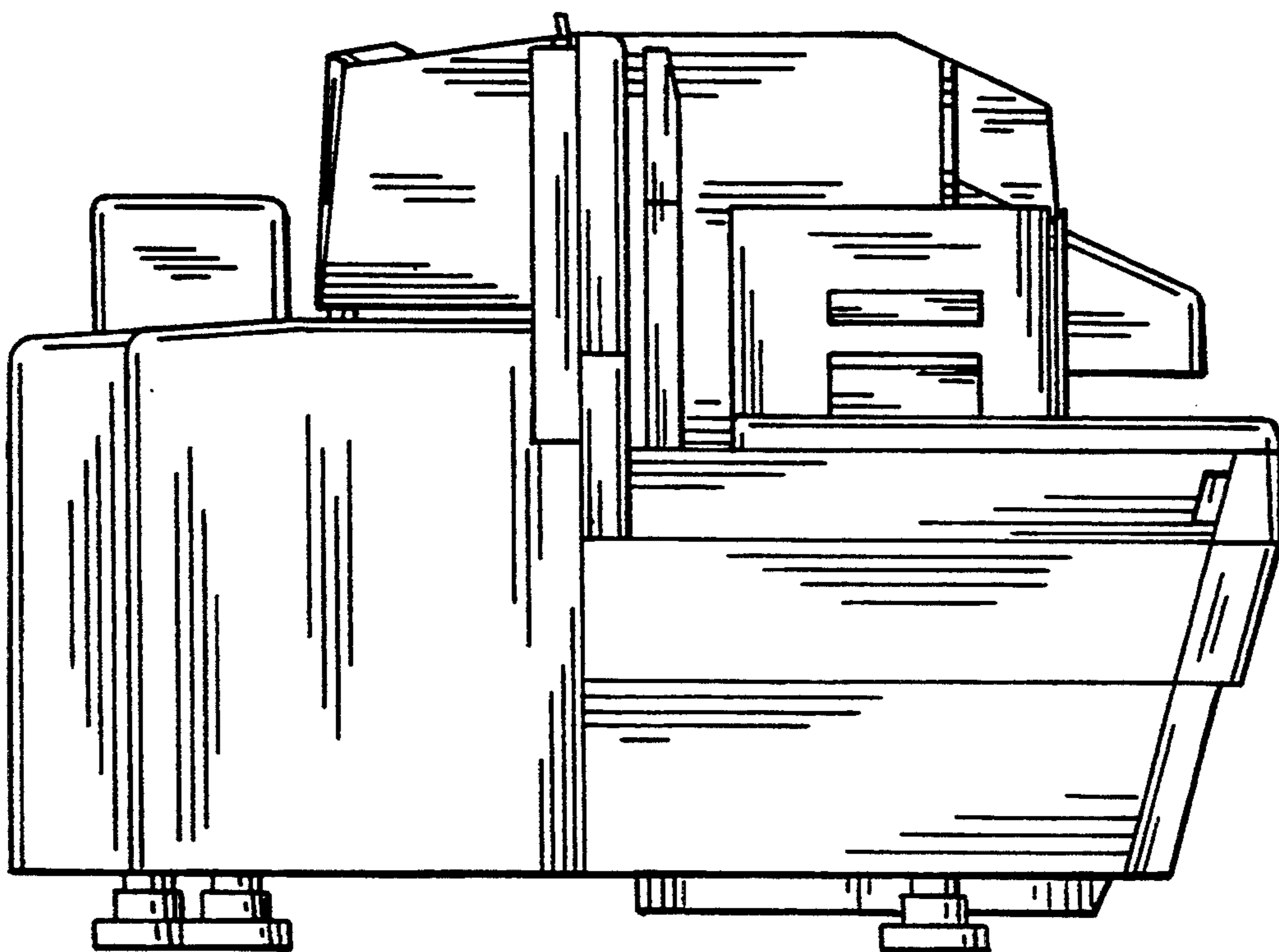


FIG. 5

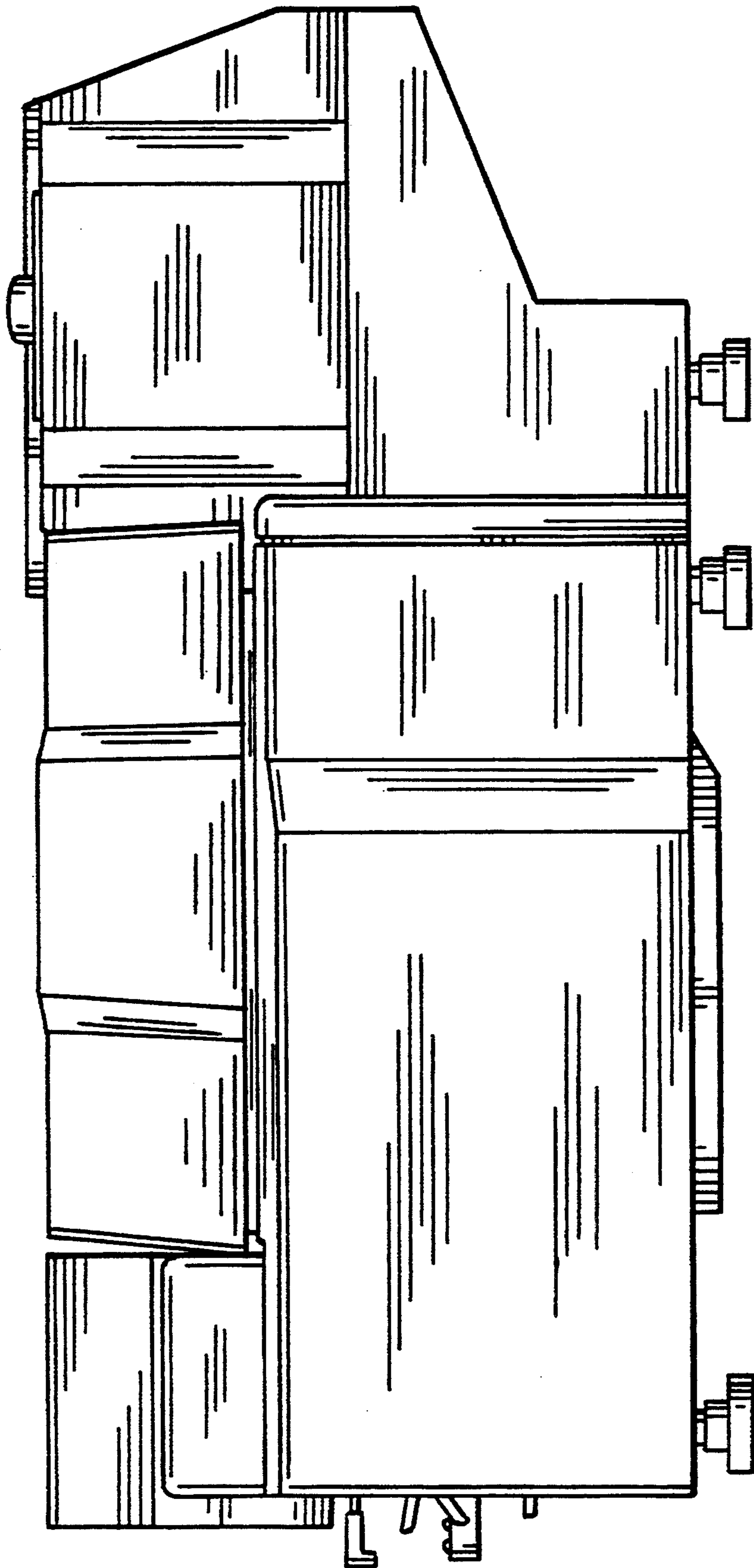


FIG. 6