



US00D358414S

United States Patent [19]

[11] Patent Number: **Des. 358,414**

Takeda

[45] Date of Patent: **** May 16, 1995**

[54] VIDEO PRINTER

[75] Inventor: Akio Takeda, Tokyo, Japan
[73] Assignee: Seikosha Co., Ltd., Tokyo, Japan
[**] Term: 14 Years
[21] Appl. No.: 11,147
[22] Filed: Jul. 28, 1993

[30] Foreign Application Priority Data

Jun. 10, 1993 [JP] Japan 5/17312
[52] U.S. Cl. D18/50
[58] Field of Search D18/50, 54-55;
D14/141, 156, 118; 400/613, 613.1-613.4,
691-694, 690.1-690.4; 355/20, 40; D16/248,
202, 246

[56] References Cited

U.S. PATENT DOCUMENTS

D. 263,142	2/1982	Nishi et al.	D18/54
D. 275,286	8/1984	Cless et al.	D18/55
D. 299,435	1/1989	Kuwa et al.	D18/55
D. 318,867	8/1991	Mitchell	D16/202
D. 321,189	10/1991	Ito et al.	D14/156
D. 323,346	1/1992	Yoshitani et al.	D18/55
D. 323,847	2/1992	Yoshitani et al.	D18/55
D. 340,716	10/1993	Ito et al.	D14/156
3,673,936	7/1972	Stone, Jr. et al.	355/20
4,800,400	1/1989	Douglas	D18/55
4,847,632	7/1989	Norris	D18/55

OTHER PUBLICATIONS

Popular Science; Nov. 1987; p. 56; Hitachi Video Printer.

Seikosha VP-115 Series brochure; cover drawing; & p. 2 photograph.
Seikosha VP3500 Series brochure; cover photograph.
ICON Review Catalog; p. 33; ThunderScan 4.0.
Video; Dec. 1987; p. 69; Luma's Video Printer & telephone.
NEC Corporation; CD ROM Unit; PC-CD101; May 20, 1987.
Washington Post Weekend Section; Apr. 6, 1993; Panasonic Color Video Printer.
Computers & Electronics; Jul. 1984; p. 26, Mitsubishi Video printer.
Sony brochure for Color Video Printer; Jun. 1993; cover photograph.

Primary Examiner—Cathy Anne MacCormac
Attorney, Agent, or Firm—Amster, Rothstein & Ebenstein

[57] CLAIM

The ornamental design for a video printer, as shown.

DESCRIPTION

FIG. 1 is a front elevational view of a video printer showing my new design;
FIG. 2 is a rear elevation view thereof;
FIG. 3 is a top plan view thereof;
FIG. 4 is a bottom plan view thereof;
FIG. 5 is a side elevational view thereof from one side;
FIG. 6 is a side elevational view thereof from the other side;
FIG. 7 is a perspective view thereof; and,
FIG. 8 is another perspective view thereof, the broken lines being for the purpose of illustration of environment only and forming no part of the claimed design.

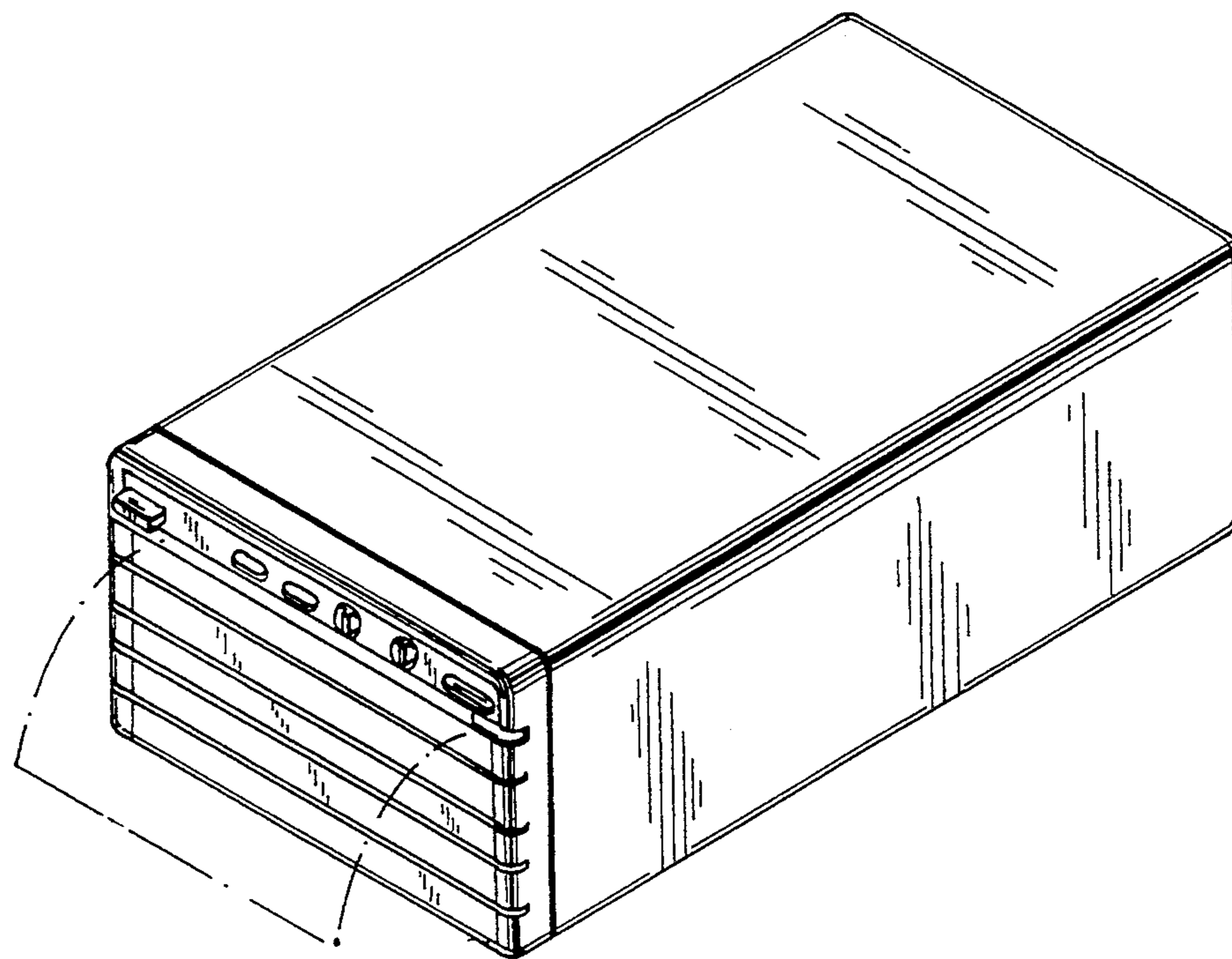


FIG. 1

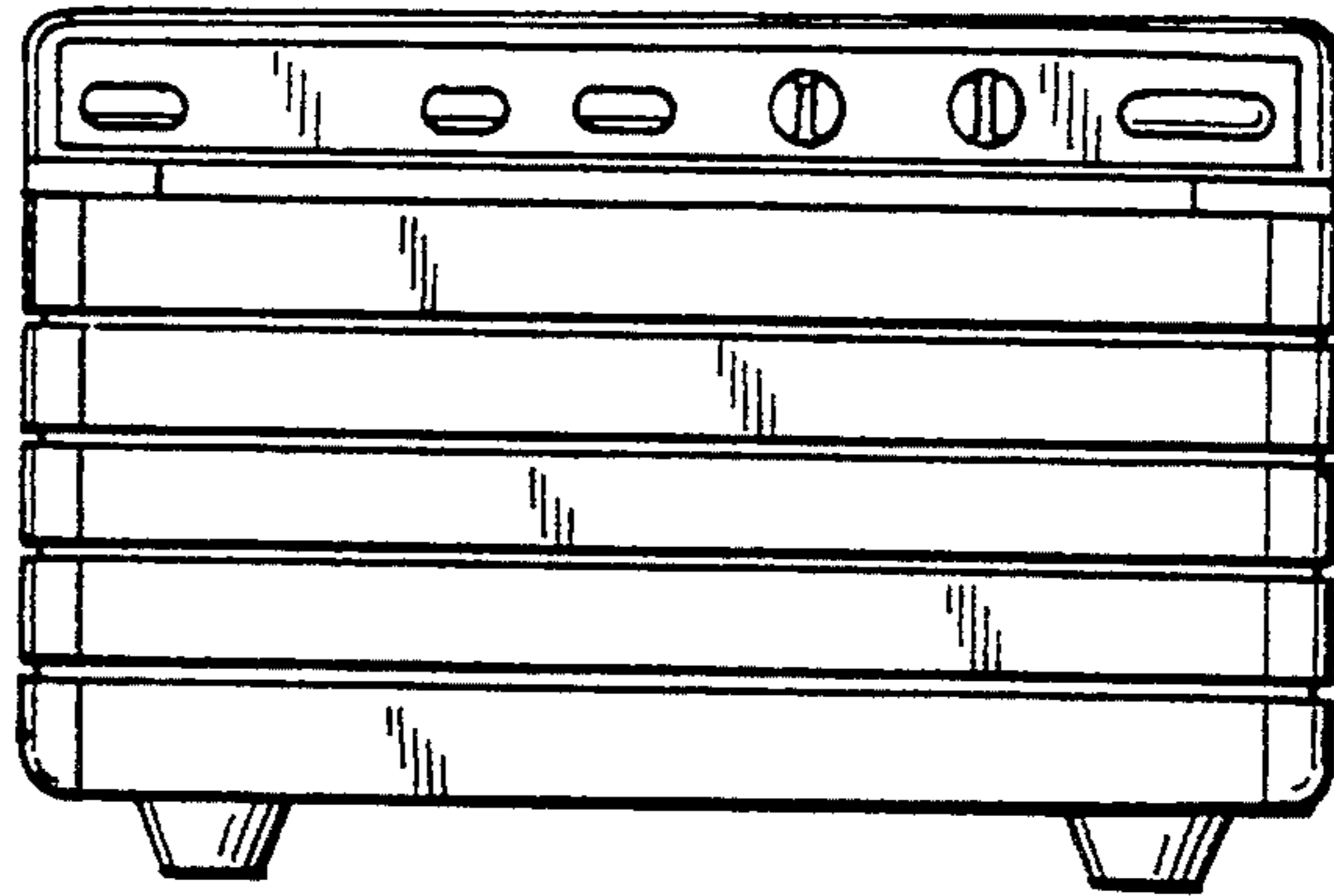


FIG. 3

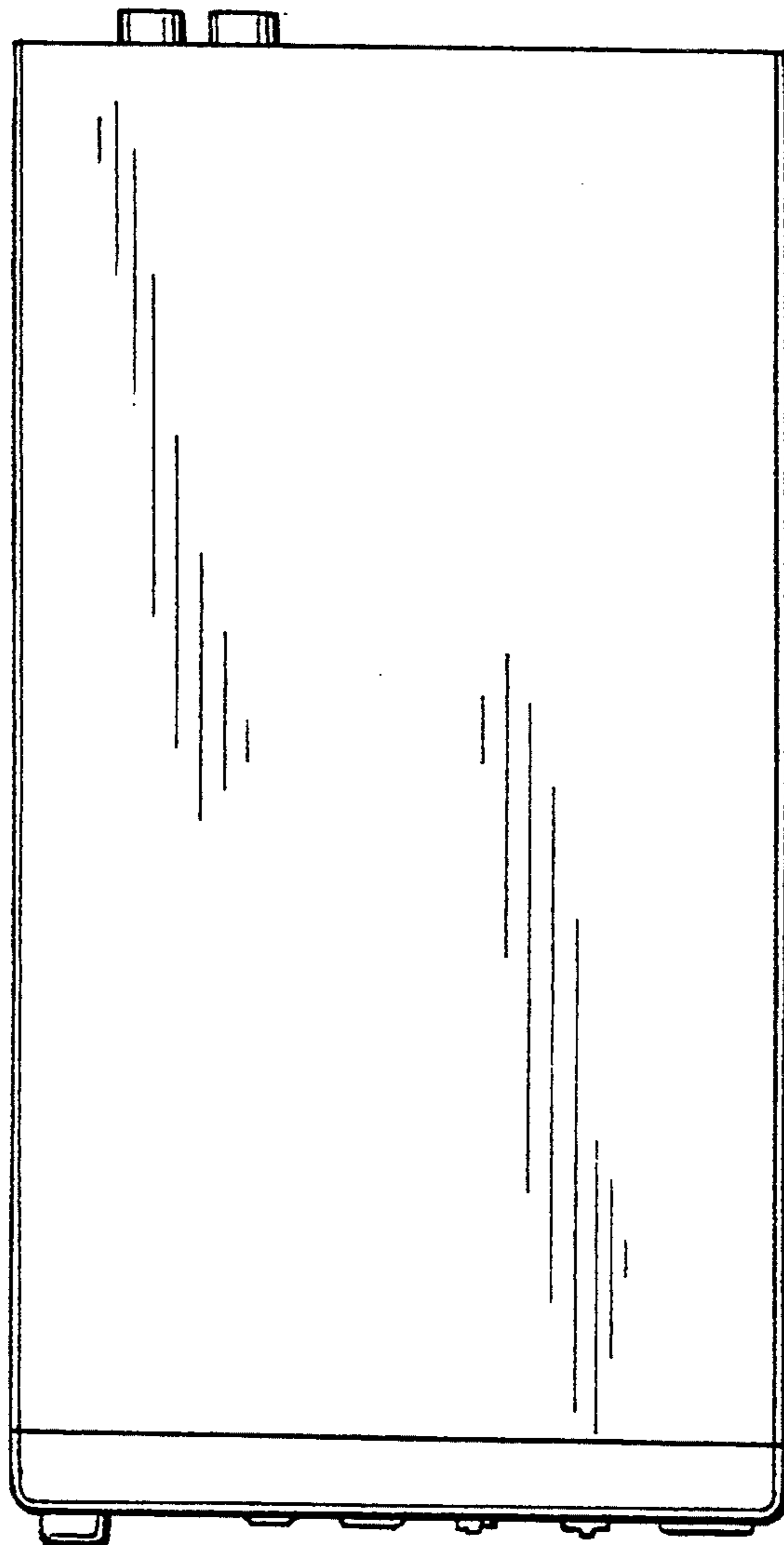


FIG. 2

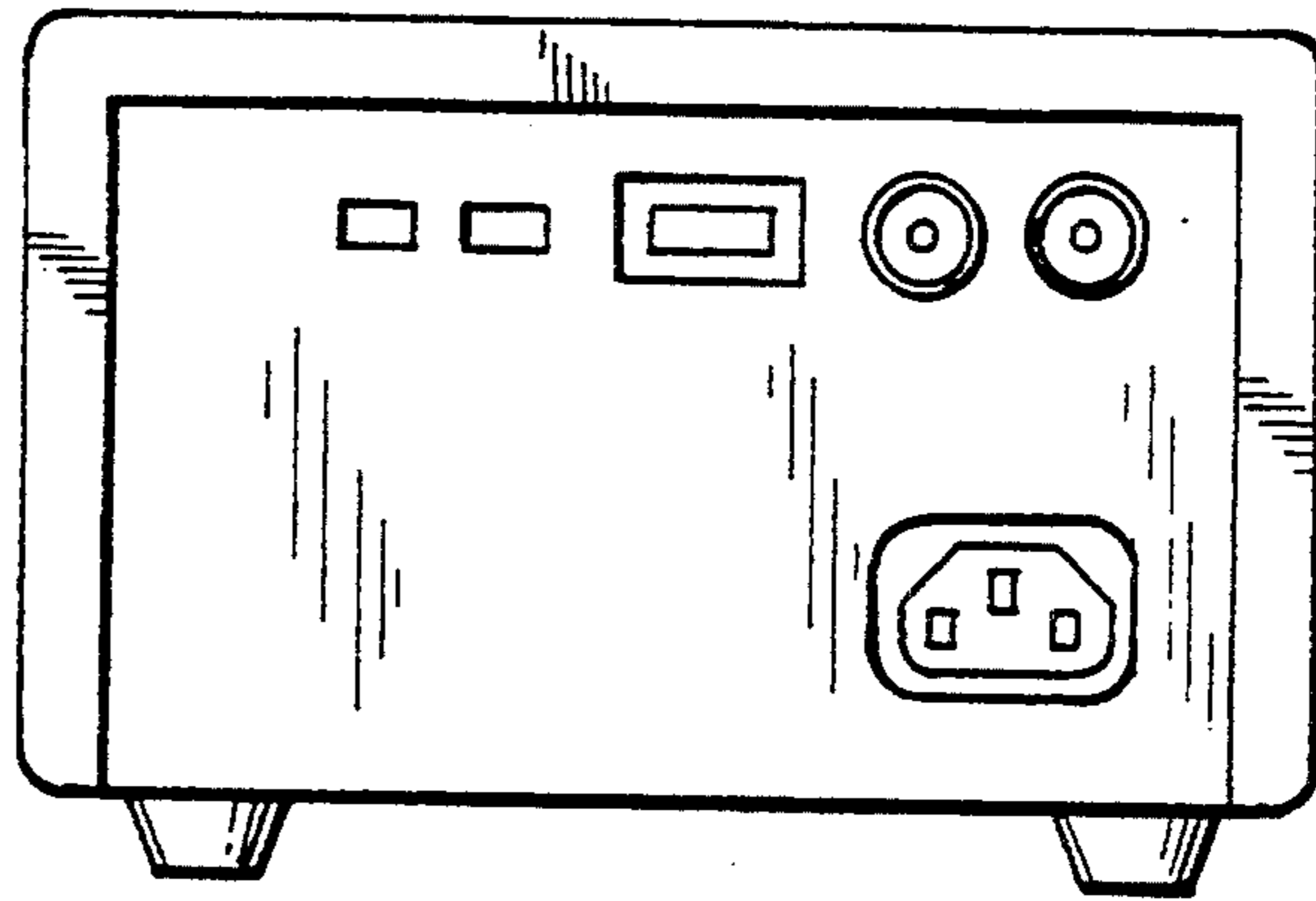


FIG. 4

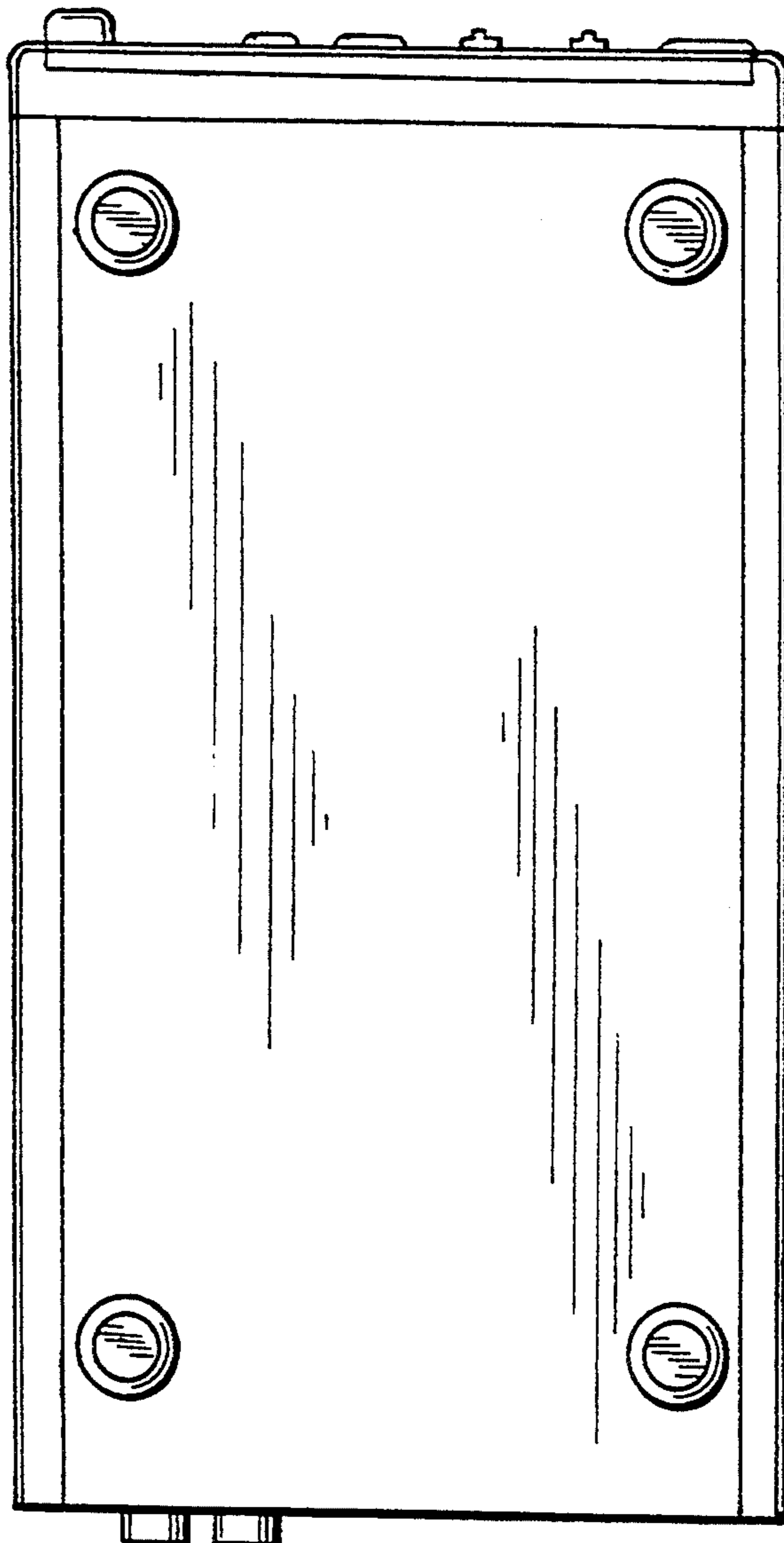


FIG. 5

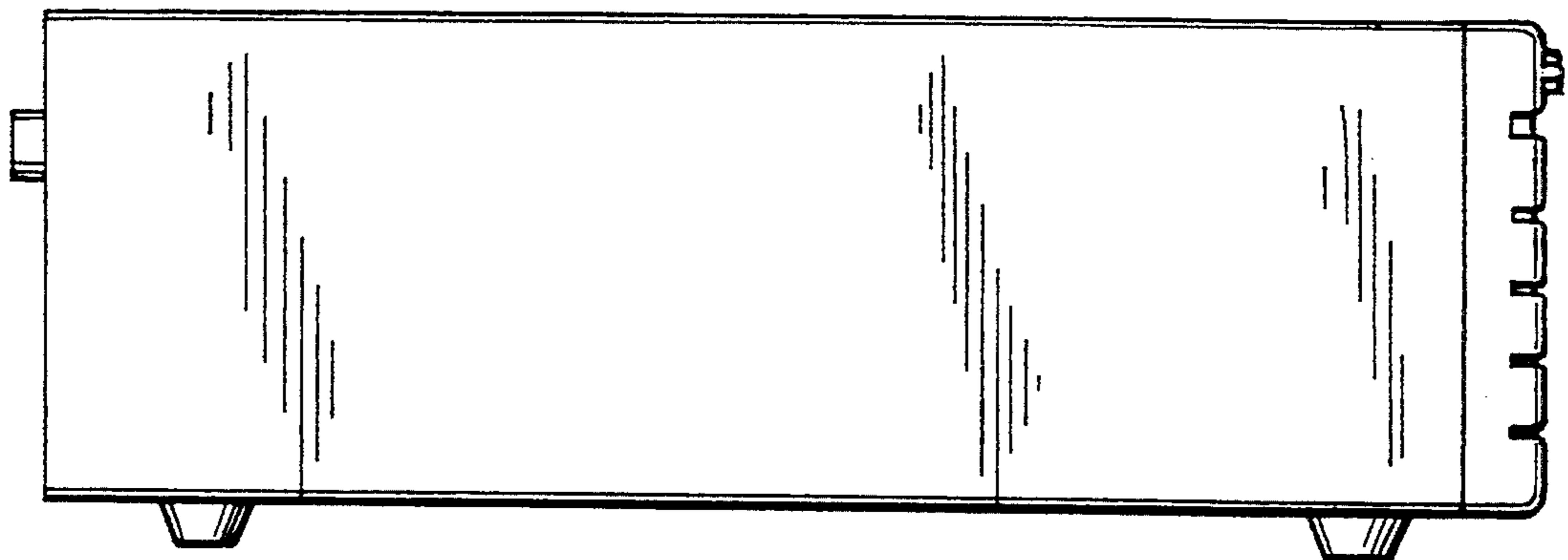
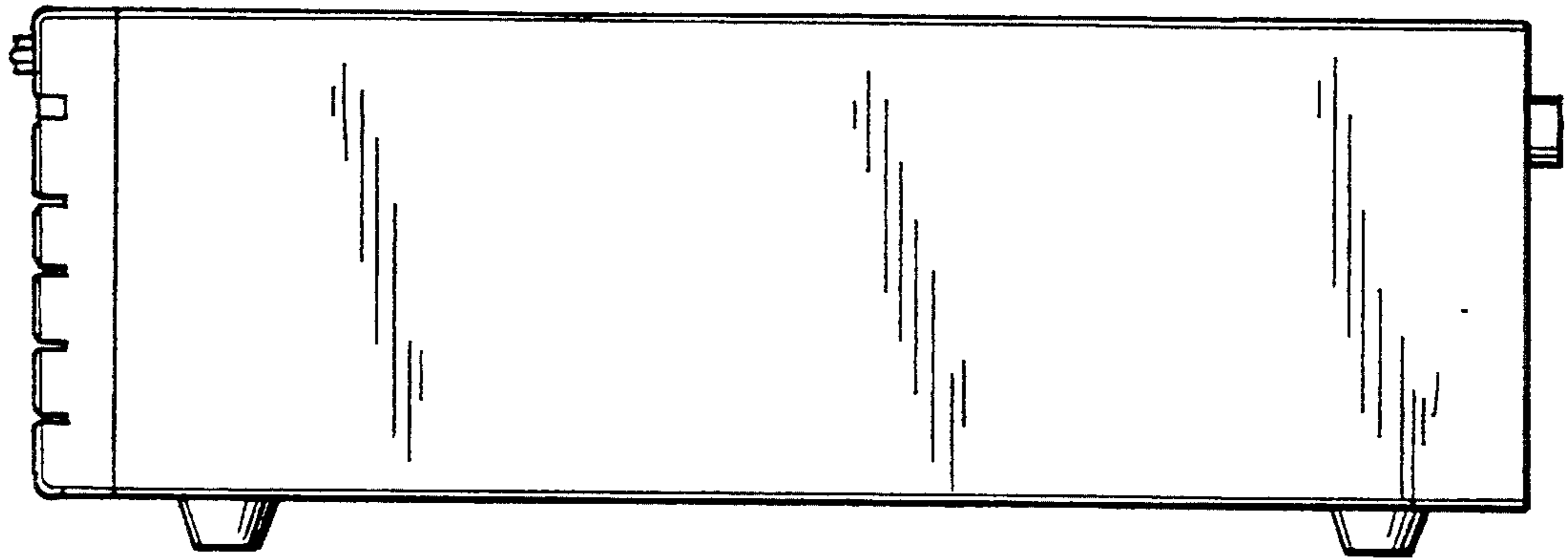


FIG. 6

FIG. 7

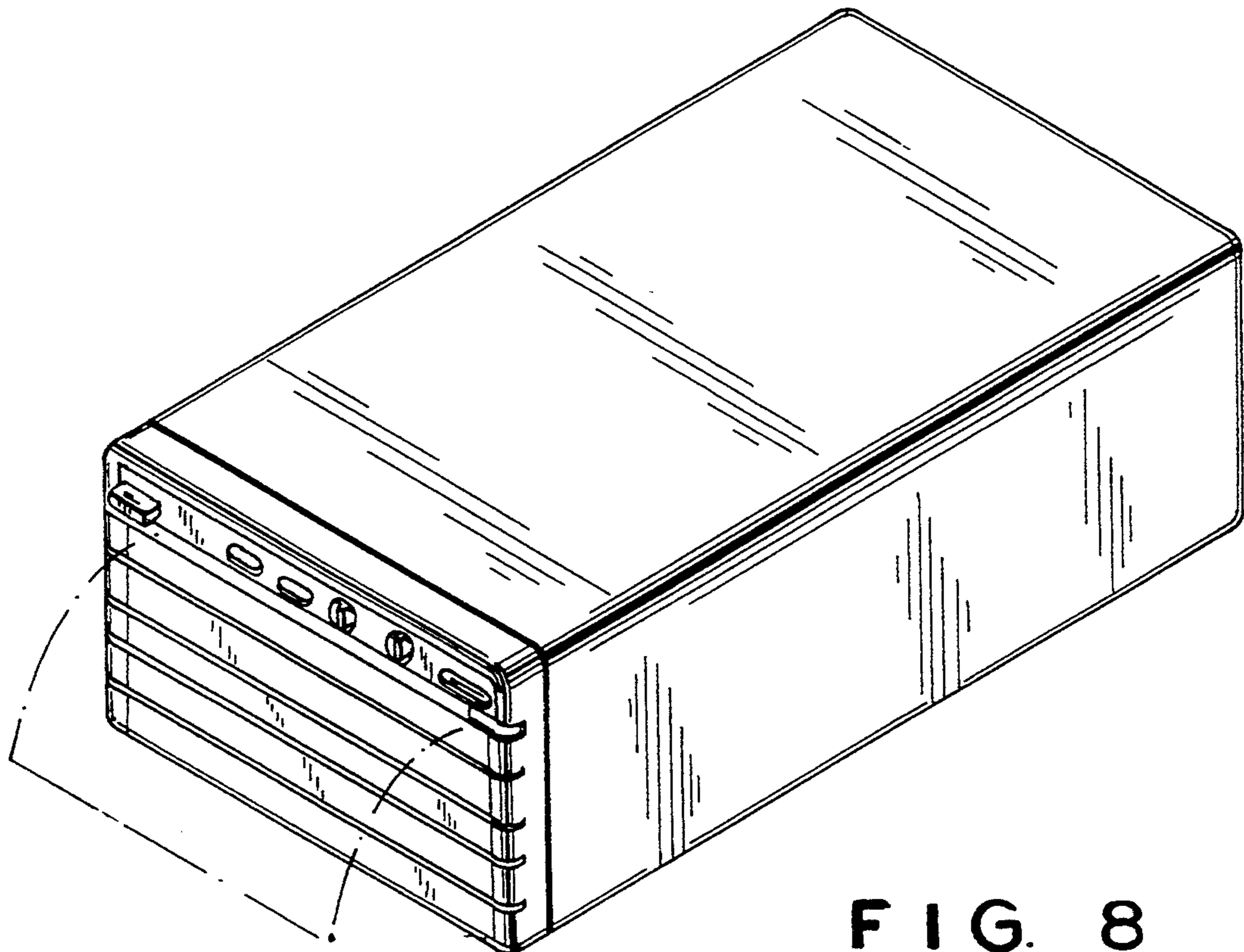
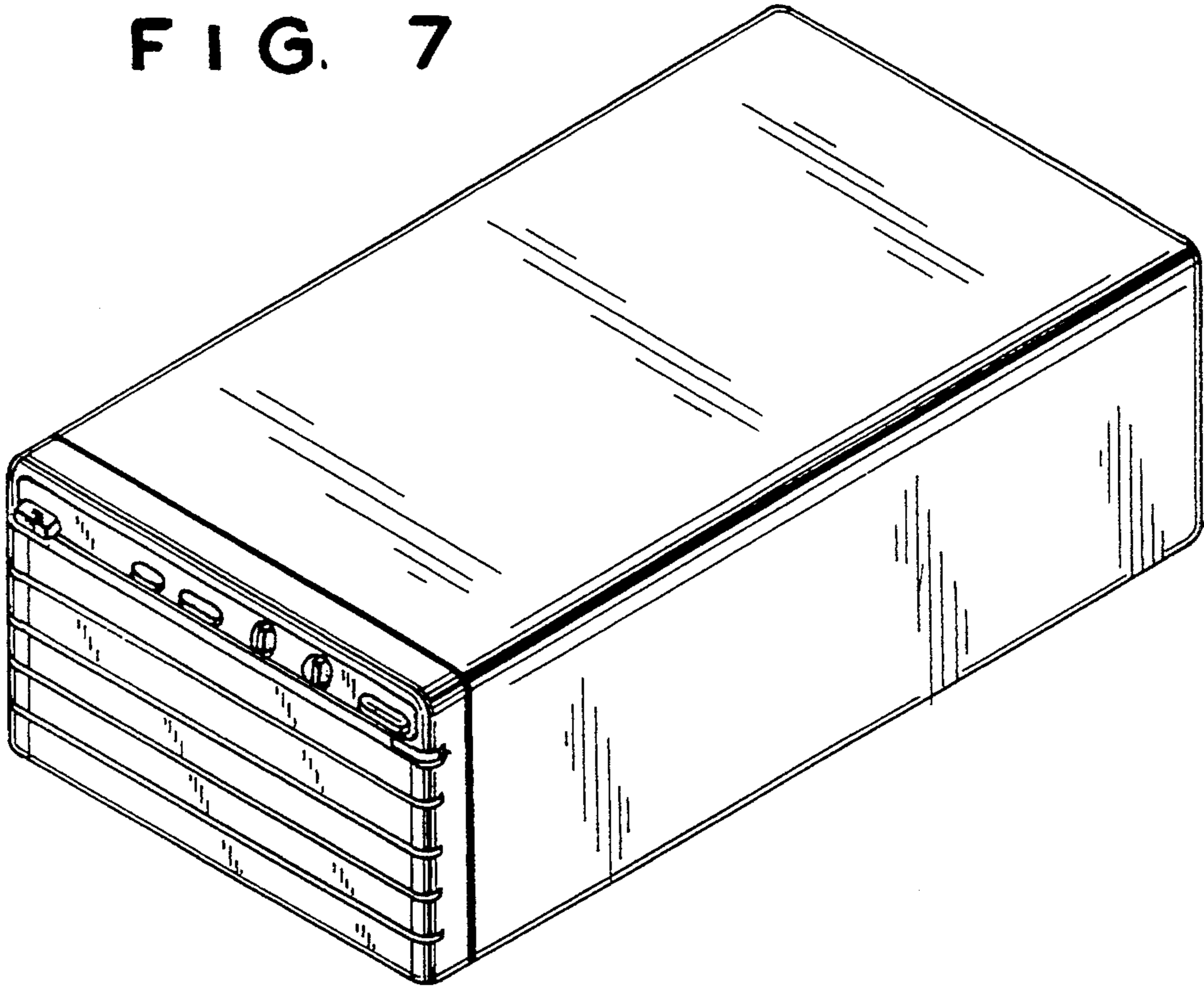


FIG. 8