



US00D358412S

# United States Patent [19]

Momose et al.

[11] Patent Number: Des. 358,412

[45] Date of Patent: \*\* May 16, 1995

[54] ELECTRONIC COPYING MACHINE

[75] Inventors: Akira Momose, Chiba; Tamaki Someya, Saitama; Yoko Nakamura; Takafumi Hoshimura, both of Kanagawa, all of Japan

[73] Assignee: Ricoh Company, Ltd., Tokyo, Japan

[\*\*] Term: 14 Years

[21] Appl. No.: 4,116

[22] Filed: Jan. 27, 1993

### [30] Foreign Application Priority Data

Jul. 27, 1992 [JP] Japan ..... 4-22416

[52] U.S. Cl. .... D18/39; D18/38

[58] Field of Search ..... D18/36-39; D14/111, 112, 116, 118; 355/43-45, 49-51, 66, 112, 200, 210, 231, 233-236, 245; 358/400

### [56] References Cited

#### U.S. PATENT DOCUMENTS

- D. 320,409 10/1991 Kosako et al. .... D18/39
- D. 331,595 12/1992 Ishisa ..... D18/38
- D. 339,152 9/1993 Hirose et al. .... D18/39

Primary Examiner—Alan P. Douglas  
Assistant Examiner—Caron D. Veynar  
Attorney, Agent, or Firm—Dickstein, Shapiro & Morin

### [57] CLAIM

The ornamental design for an electronic copying machine, as shown.

### DESCRIPTION

FIG. 1 is a left side perspective view thereof; FIG. 2 is a front elevational view thereof; FIG. 3 is a rear elevational view thereof; FIG. 4 is a top plan view thereof; FIG. 5 is a bottom plan view thereof; FIG. 6 is a left side elevational view thereof; and, FIG. 7 is a right side elevational view thereof.

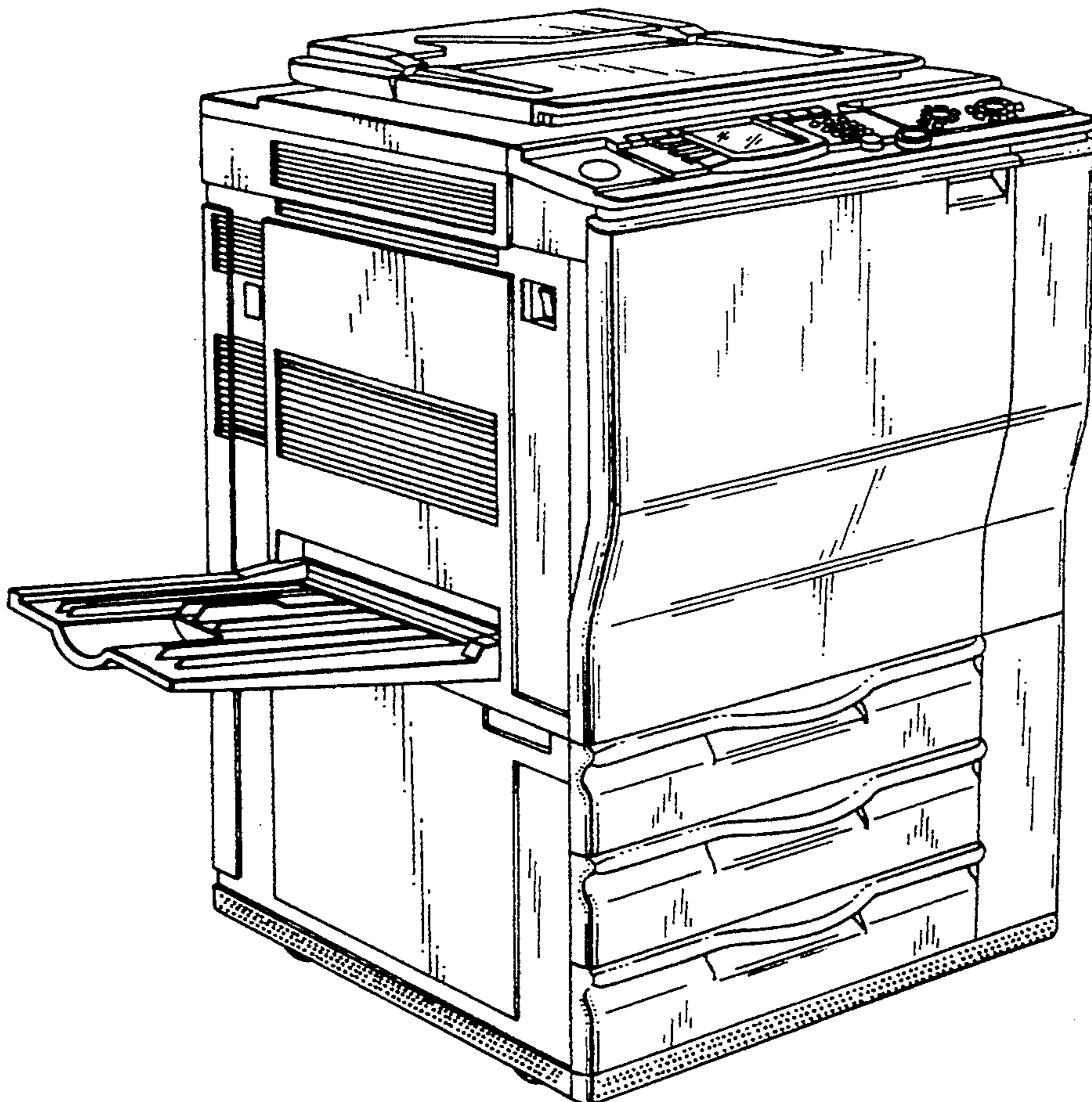


FIG. 1

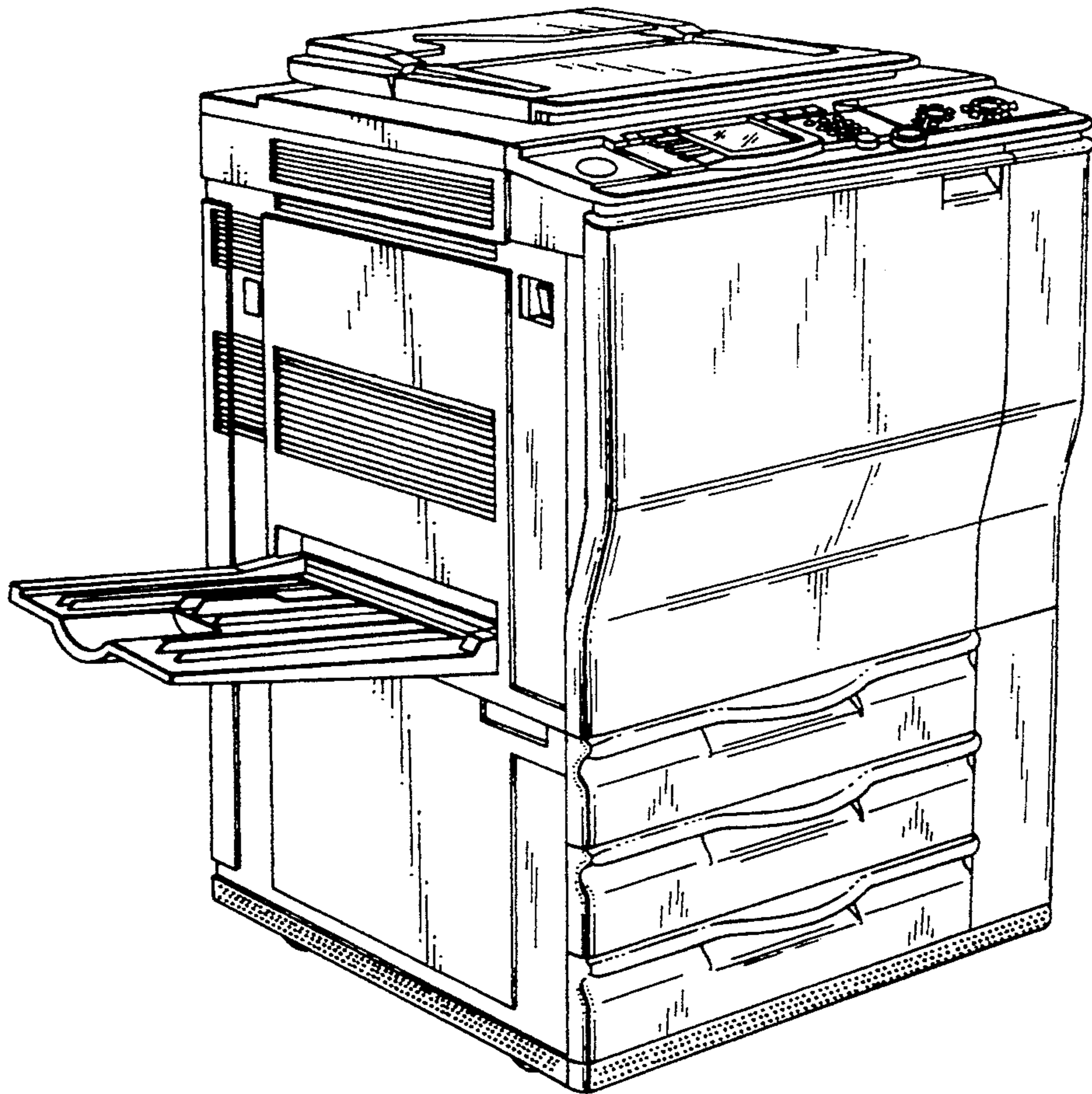


FIG. 2

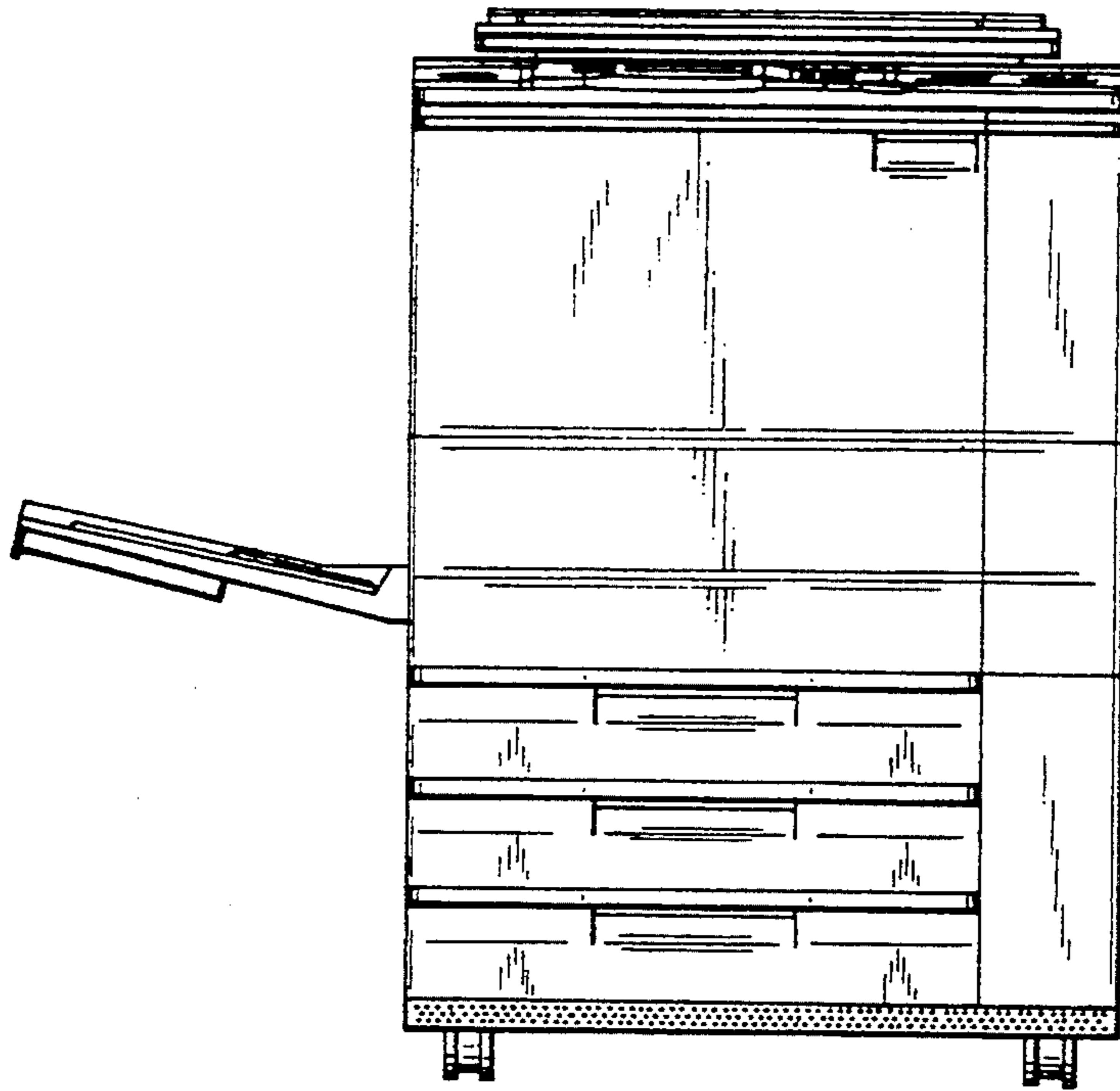


FIG. 3

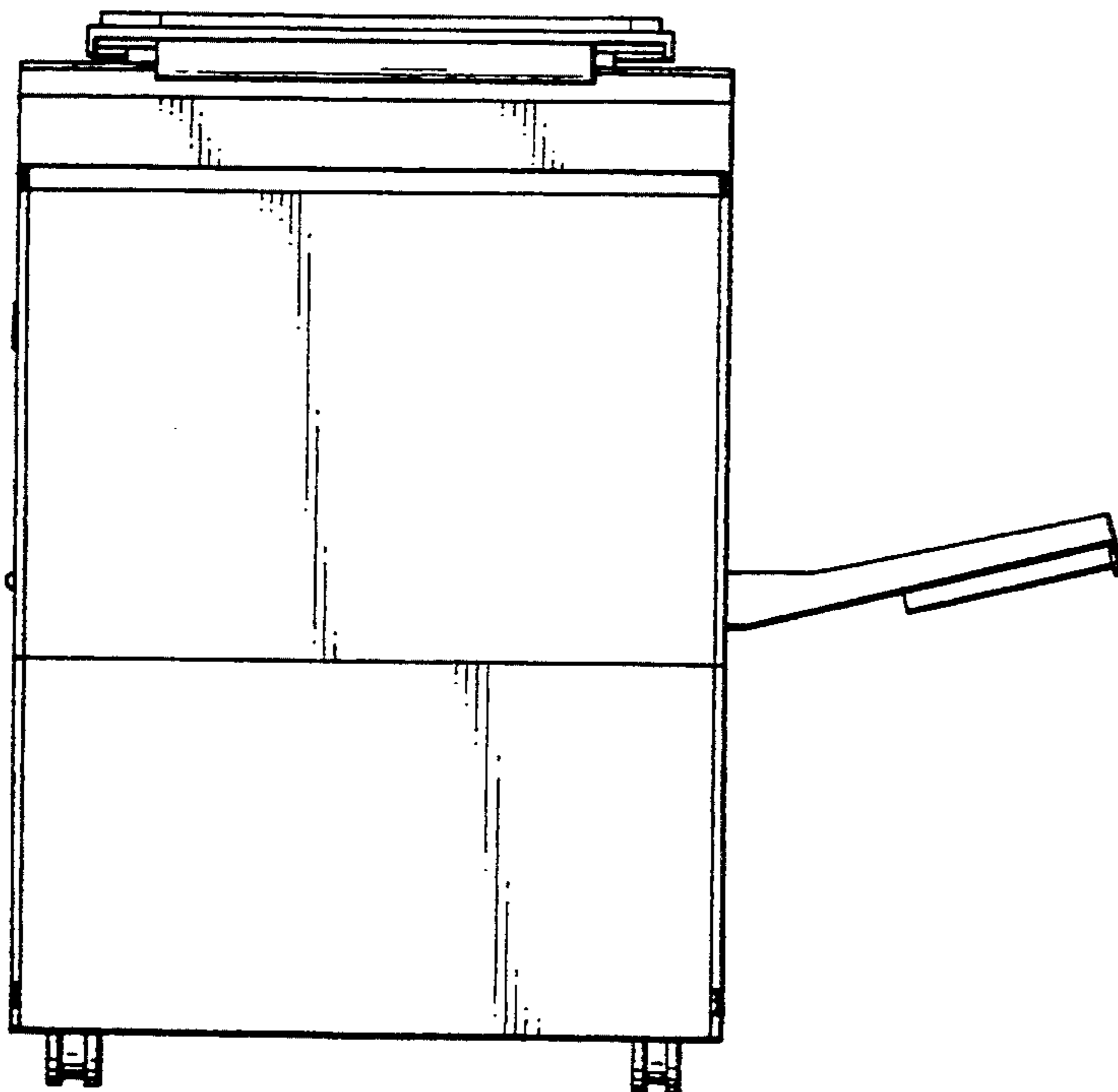


FIG. 4

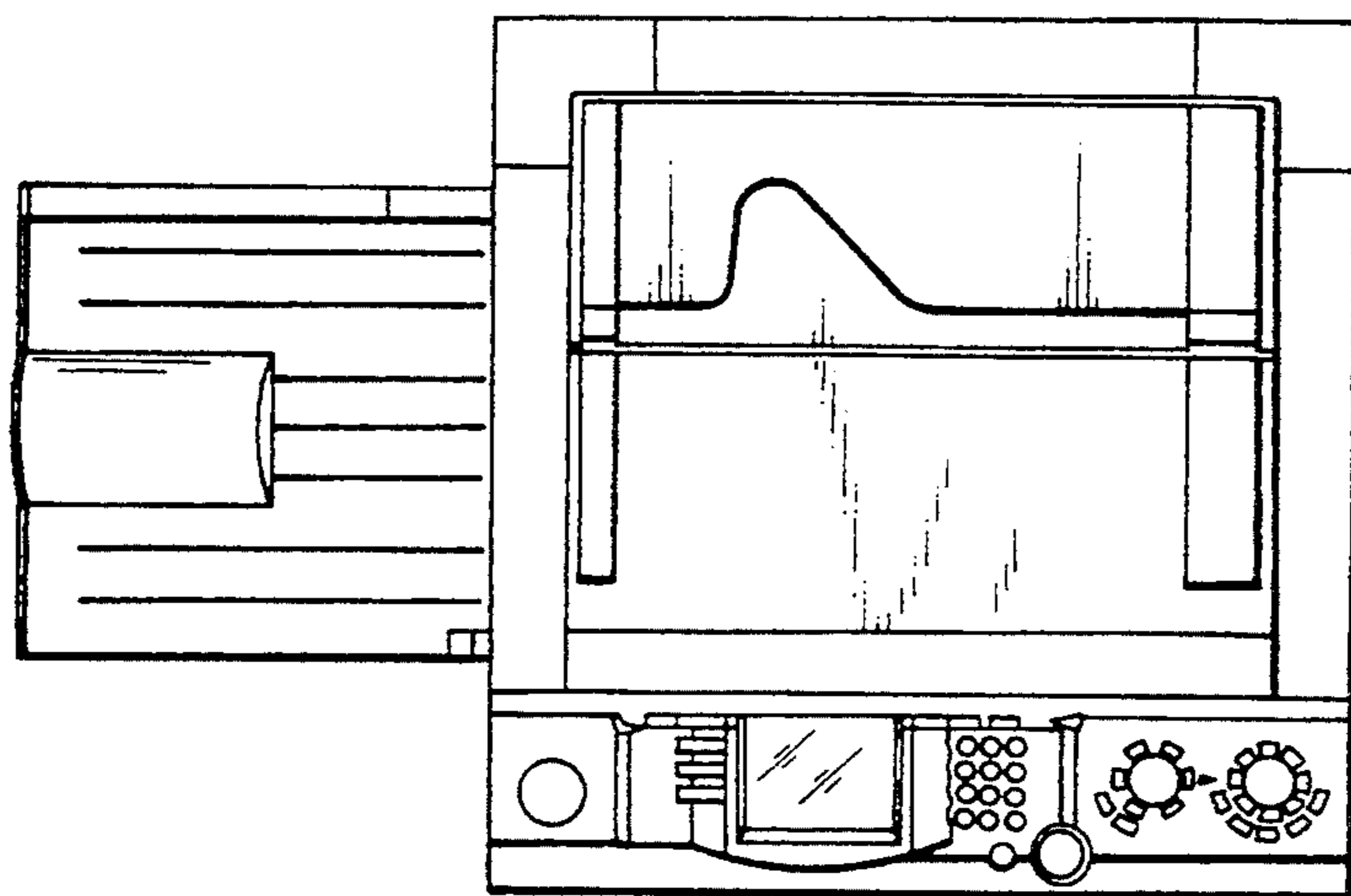


FIG. 5

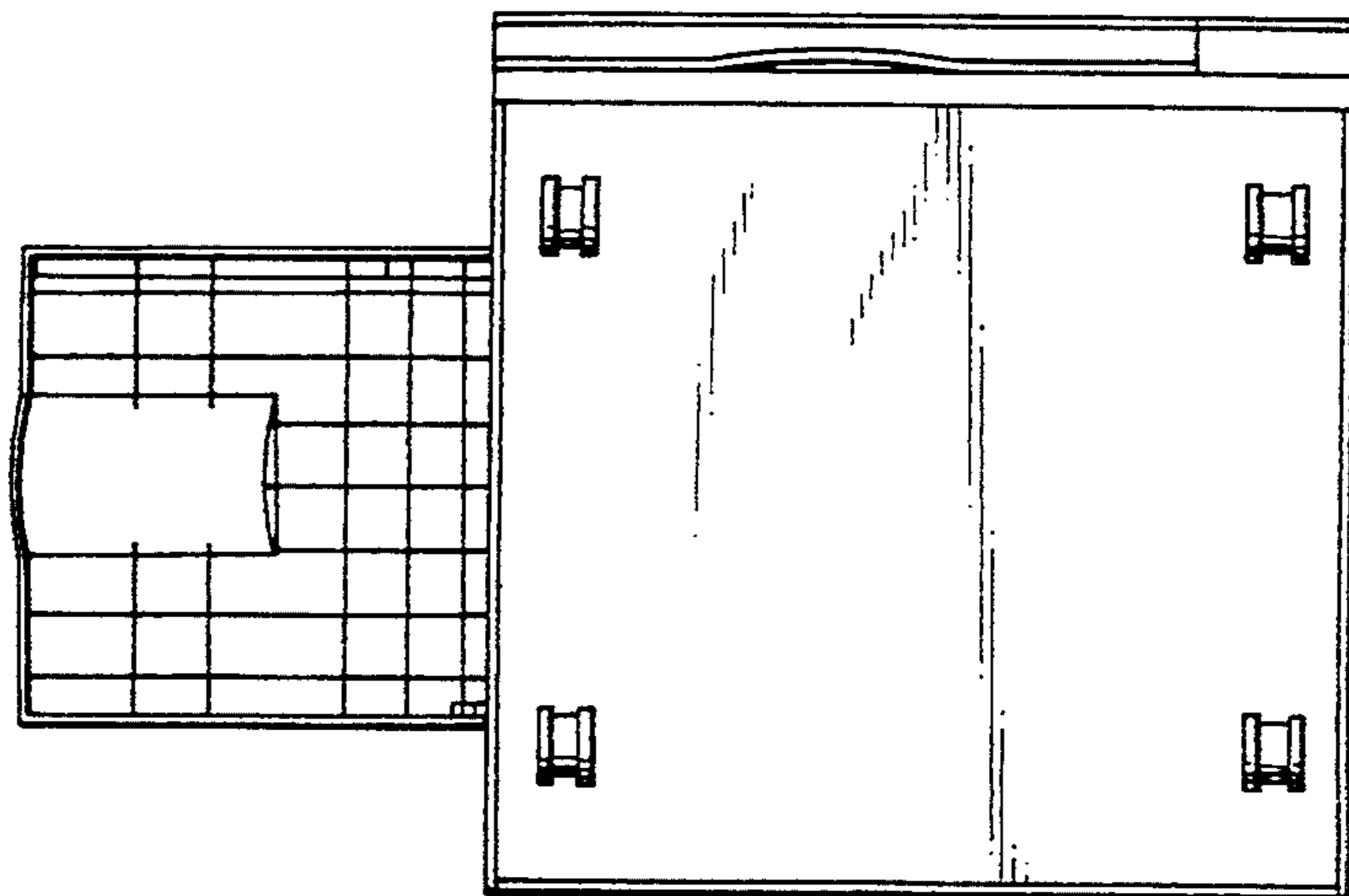


FIG. 6

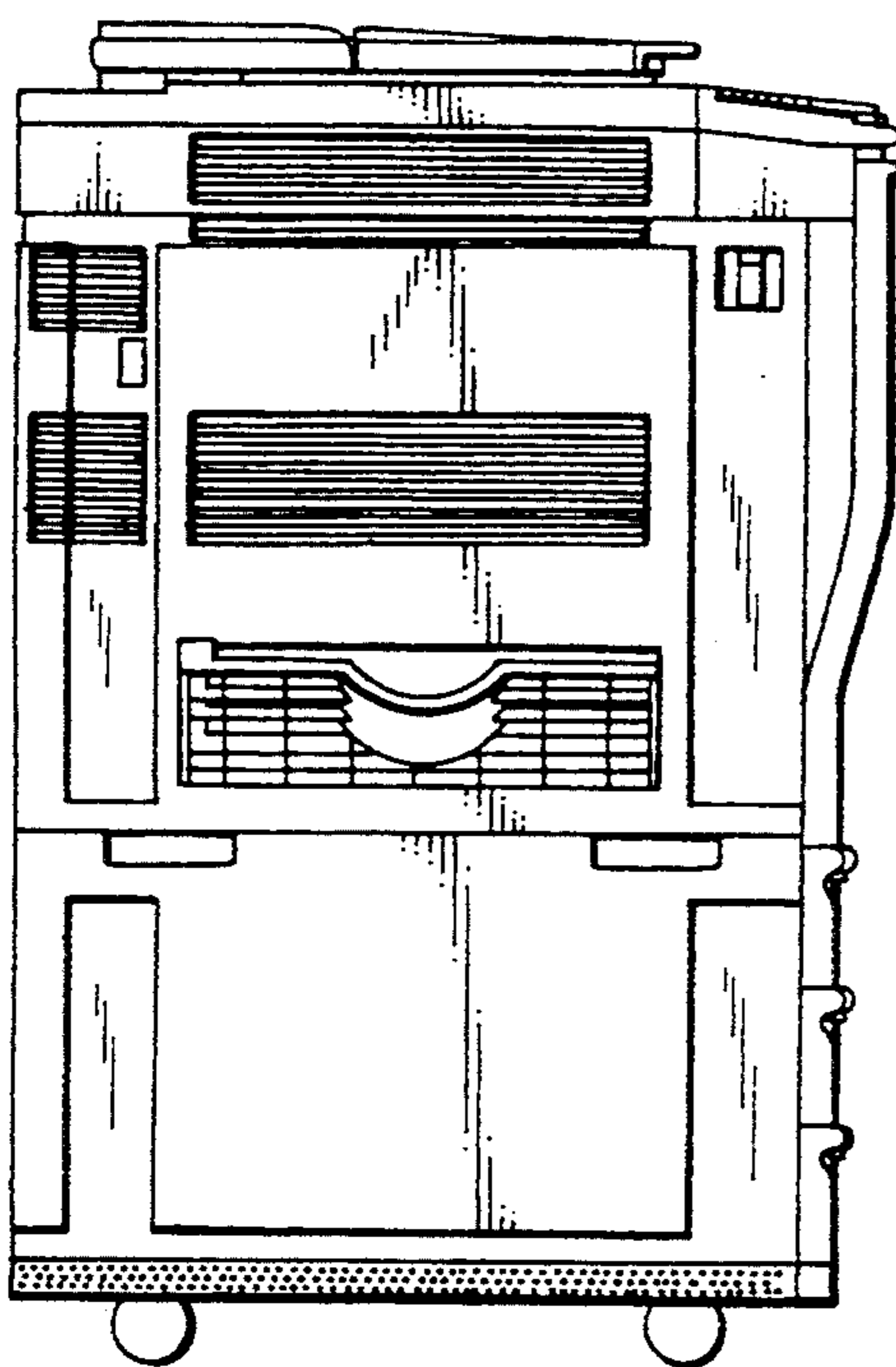


FIG. 7

