



US00D358406S

United States Patent [19]
McLaughlin

[11] **Patent Number: Des. 358,406**

[45] **Date of Patent: ** May 16, 1995**

[54] **PORTABLE ELECTRO-PLATING APPARATUS**

[75] **Inventor: Daniel A. McLaughlin, Madeira Beach, Fla.**

[73] **Assignee: Gold Effects, Inc., Largo, Fla.**

[**] **Term: 14 Years**

[21] **Appl. No.: 24,328**

[22] **Filed: Jun. 13, 1994**

[52] **U.S. Cl. D15/199; D34/19**

[58] **Field of Search D15/199; D34/19; 204/109, 194, 224 R, 228, 244 R, 271, 400, DIG. 12**

[56] **References Cited**

U.S. PATENT DOCUMENTS

D. 350,758 9/1994 McLaughlin D15/199
5,346,602 9/1994 McLaughlin 204/224 R

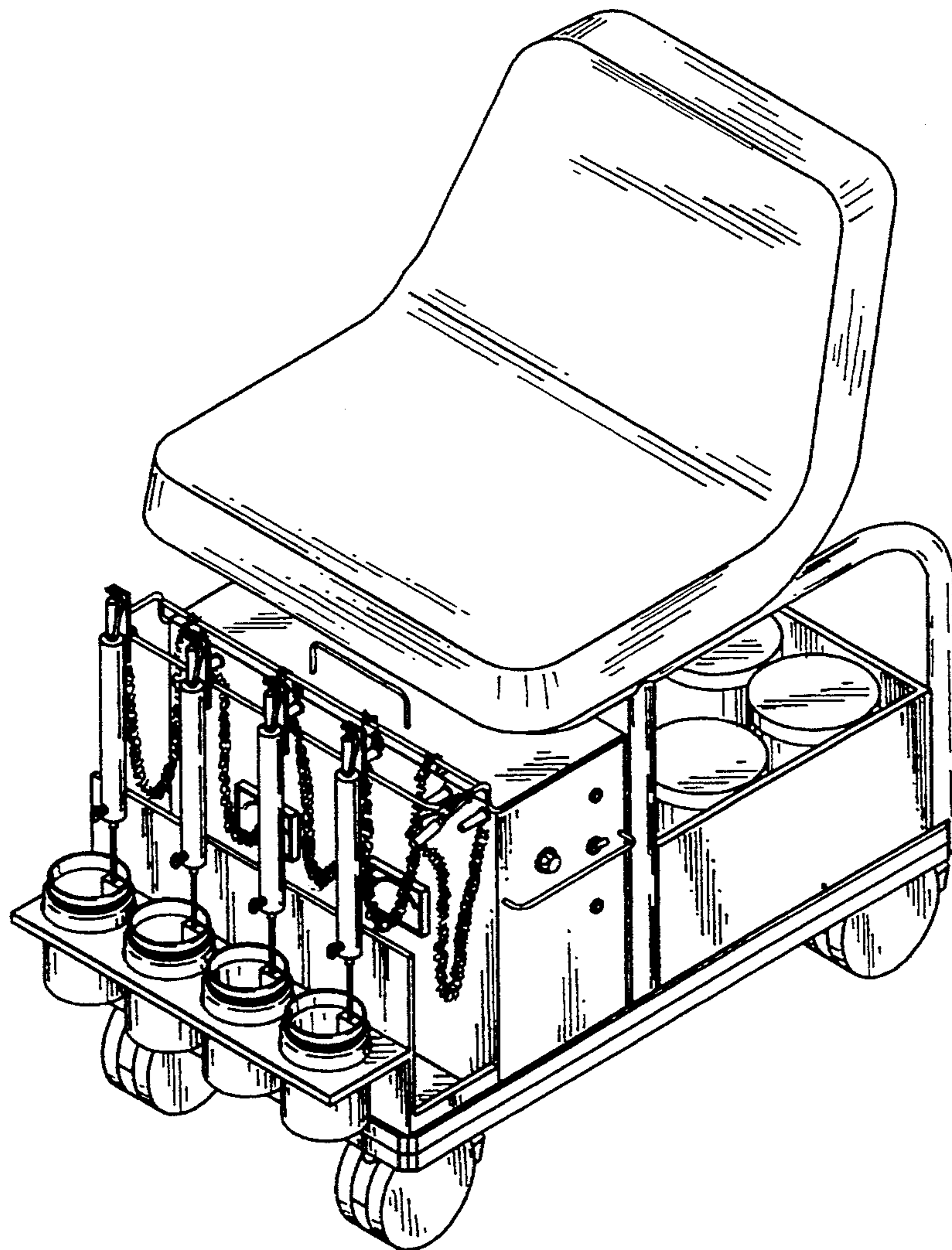
Primary Examiner—Antoine Duval Davis
Attorney, Agent, or Firm—James E. Larson

[57] **CLAIM**

The ornamental design for a portable electro-plating apparatus, as shown and described.

DESCRIPTION

FIG. 1 is a perspective view of a portable electro-plating apparatus showing my new design;
FIG. 2 is an exploded view thereof;
FIG. 3 is a front elevational view thereof;
FIG. 4 is a rear elevational view thereof;
FIG. 5 is a right side elevational view thereof;
FIG. 6 is a left side elevational view thereof;
FIG. 7 is a top plan view thereof; and,
FIG. 8 is a bottom plan view thereof.



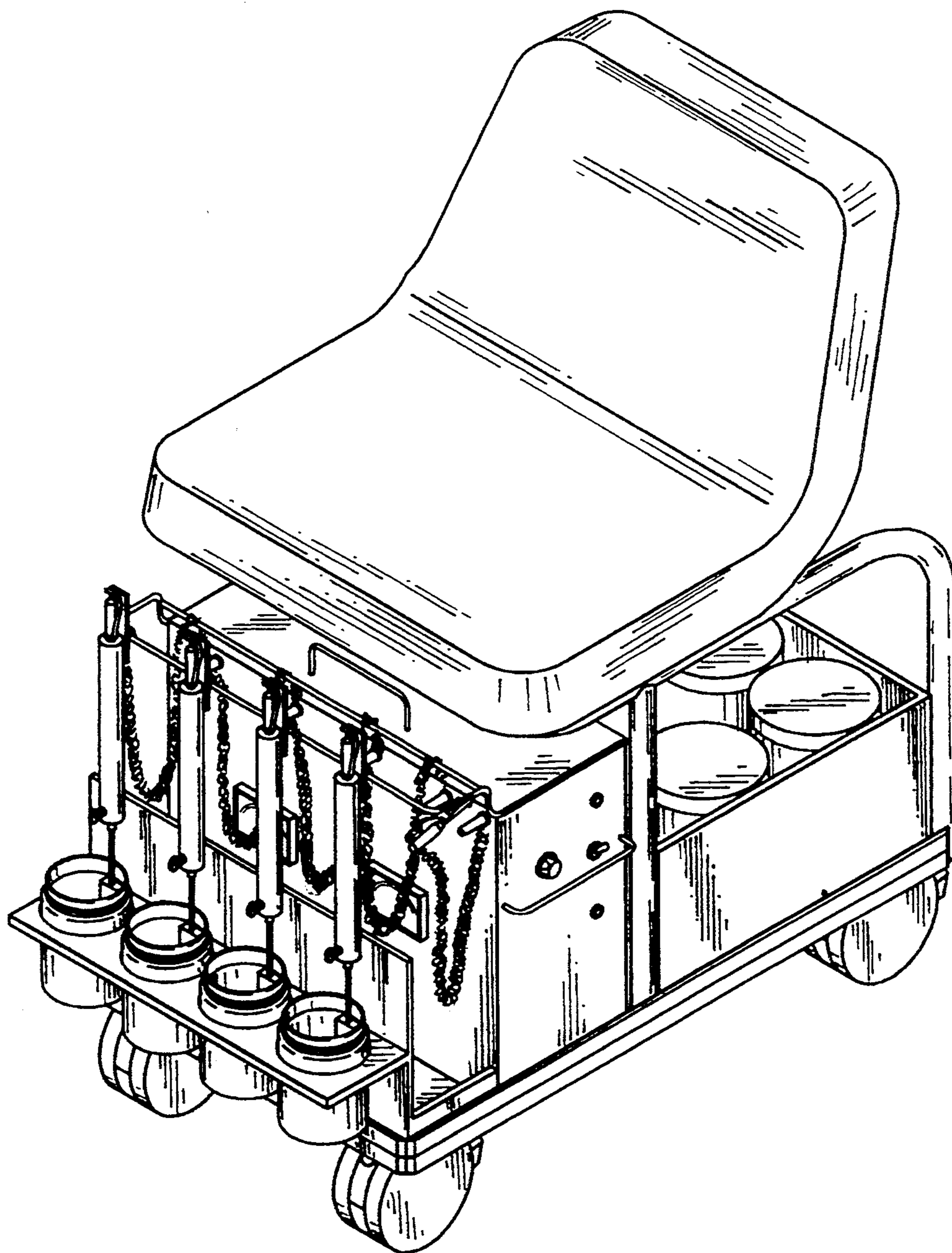


Fig. 1

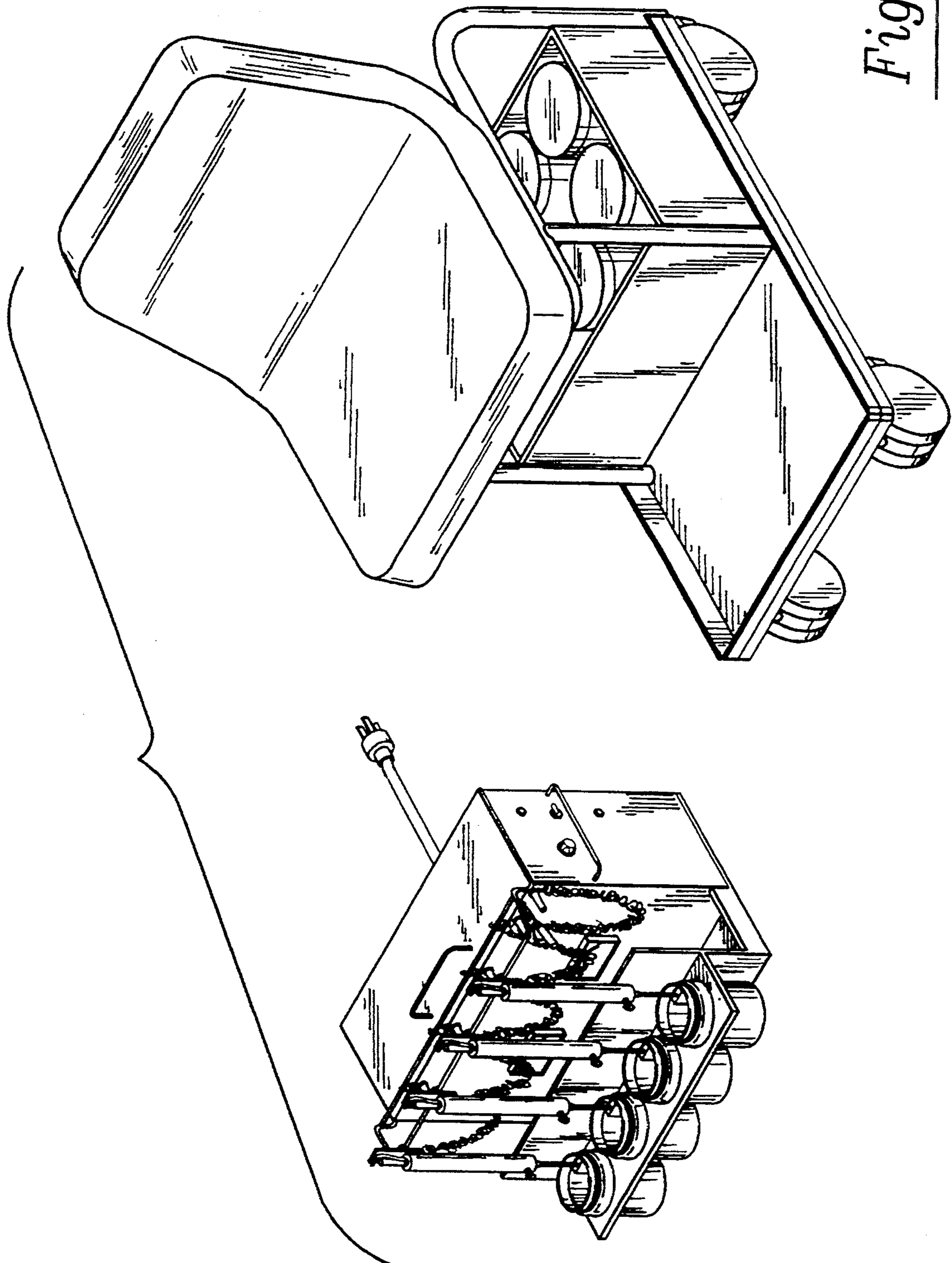


Fig. 2

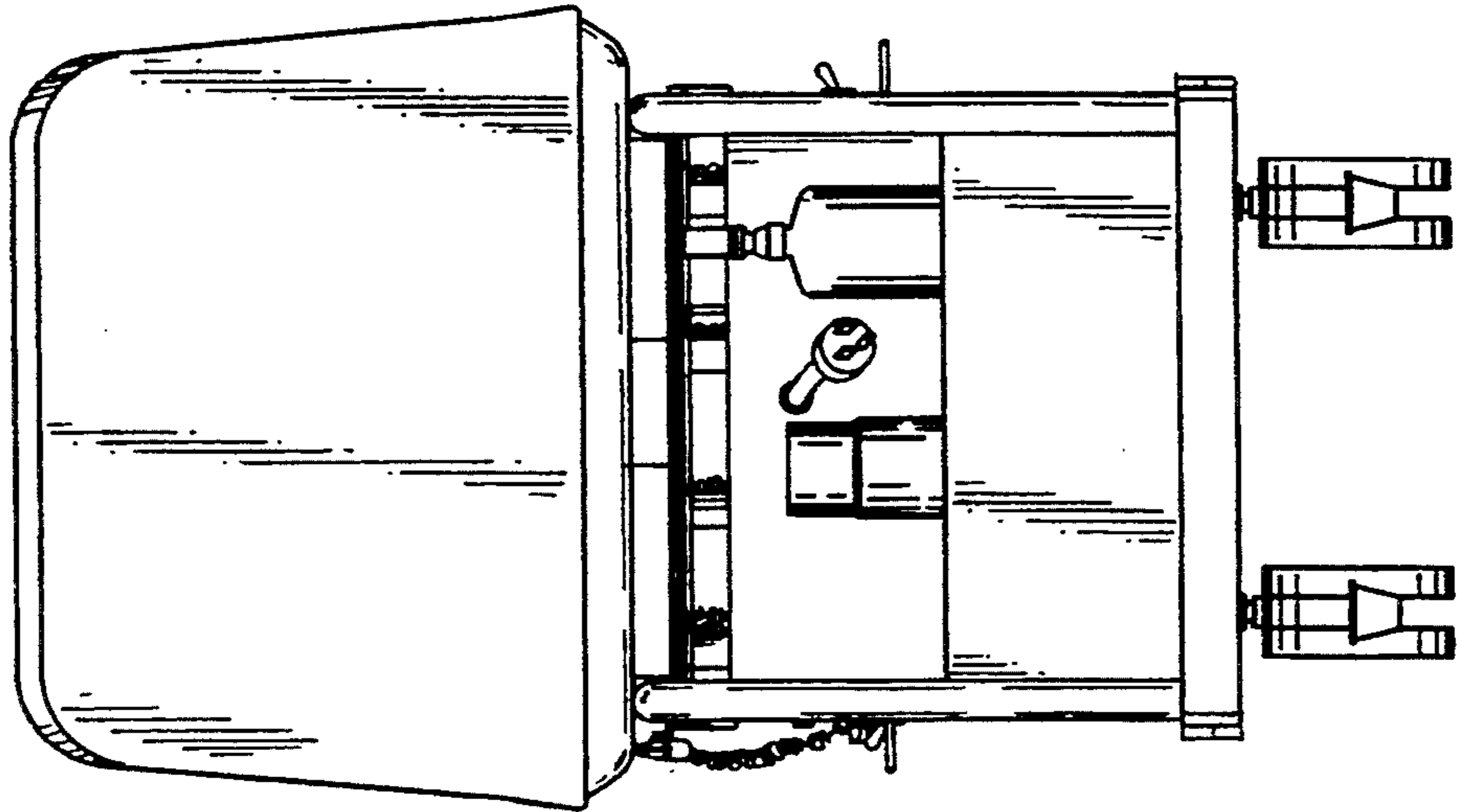


Fig. 4

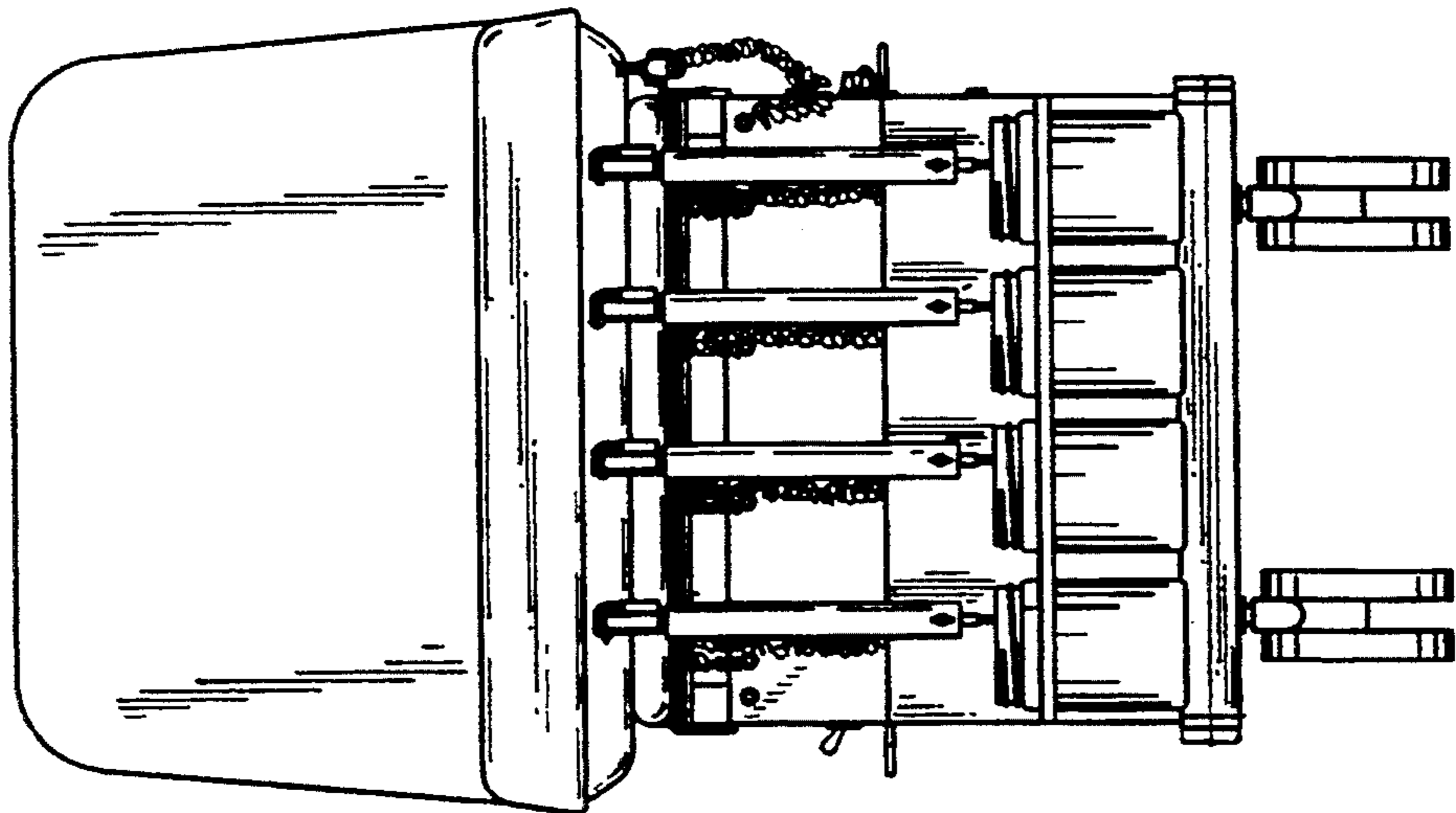


Fig. 3

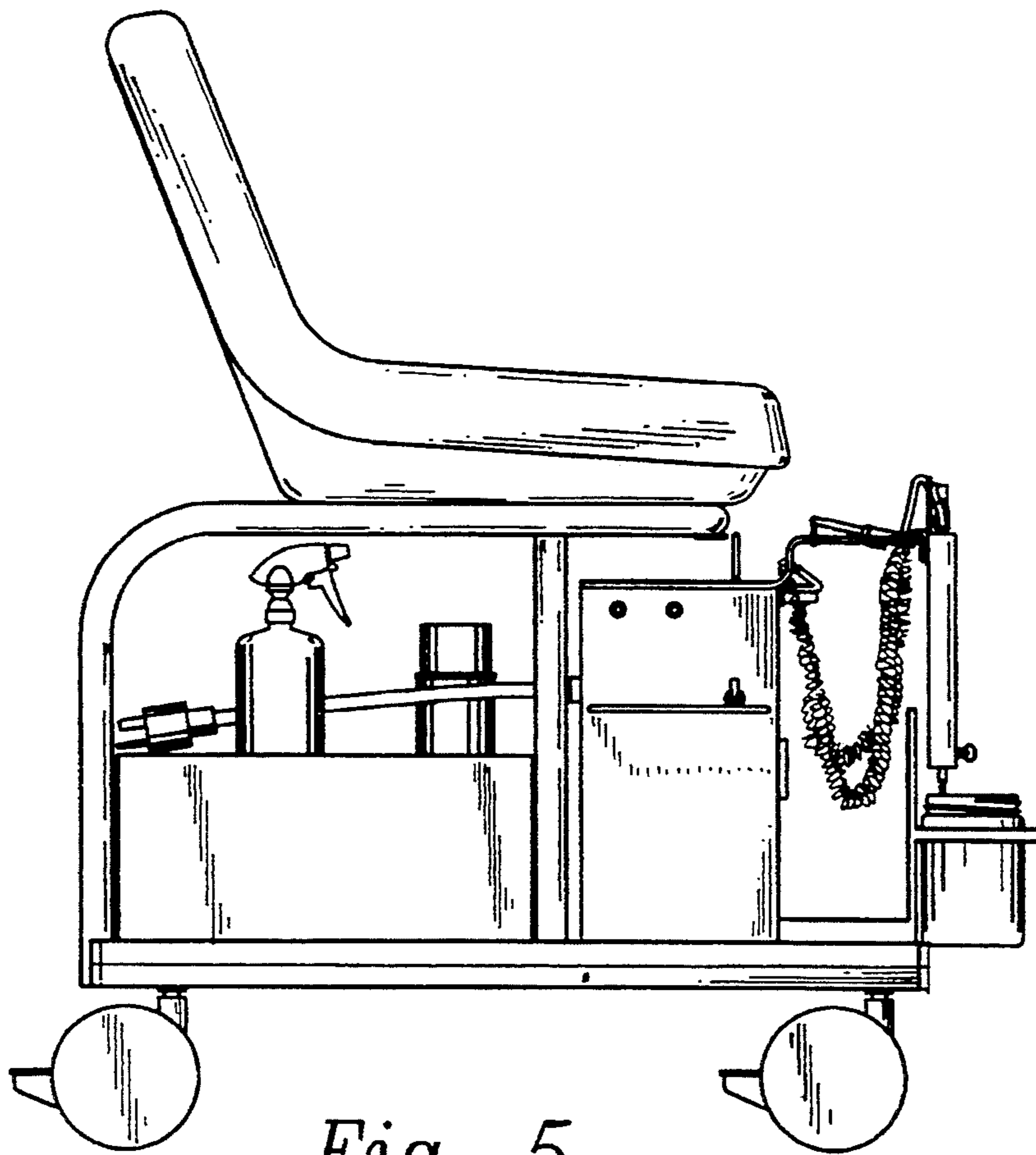


Fig. 5

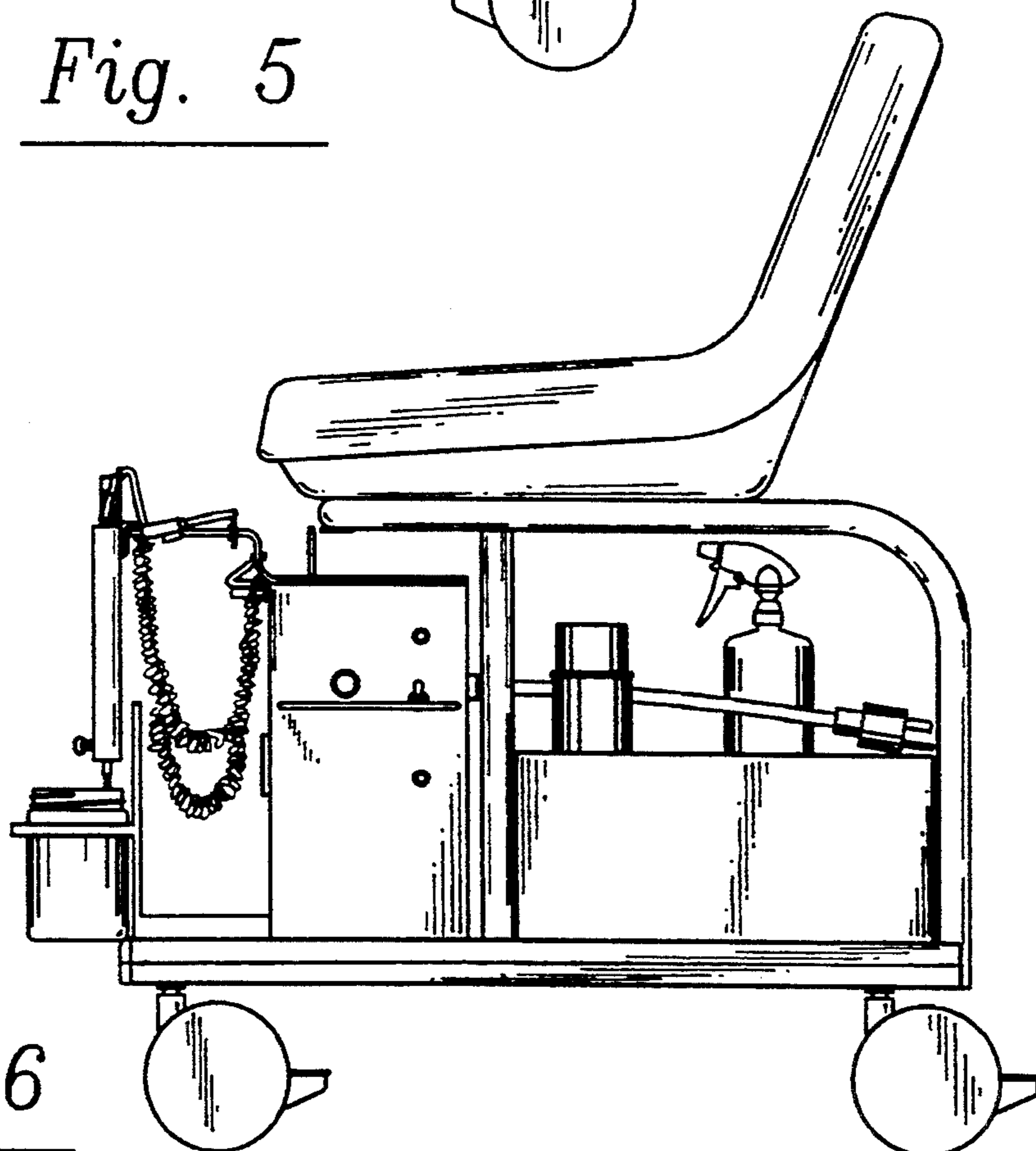


Fig. 6

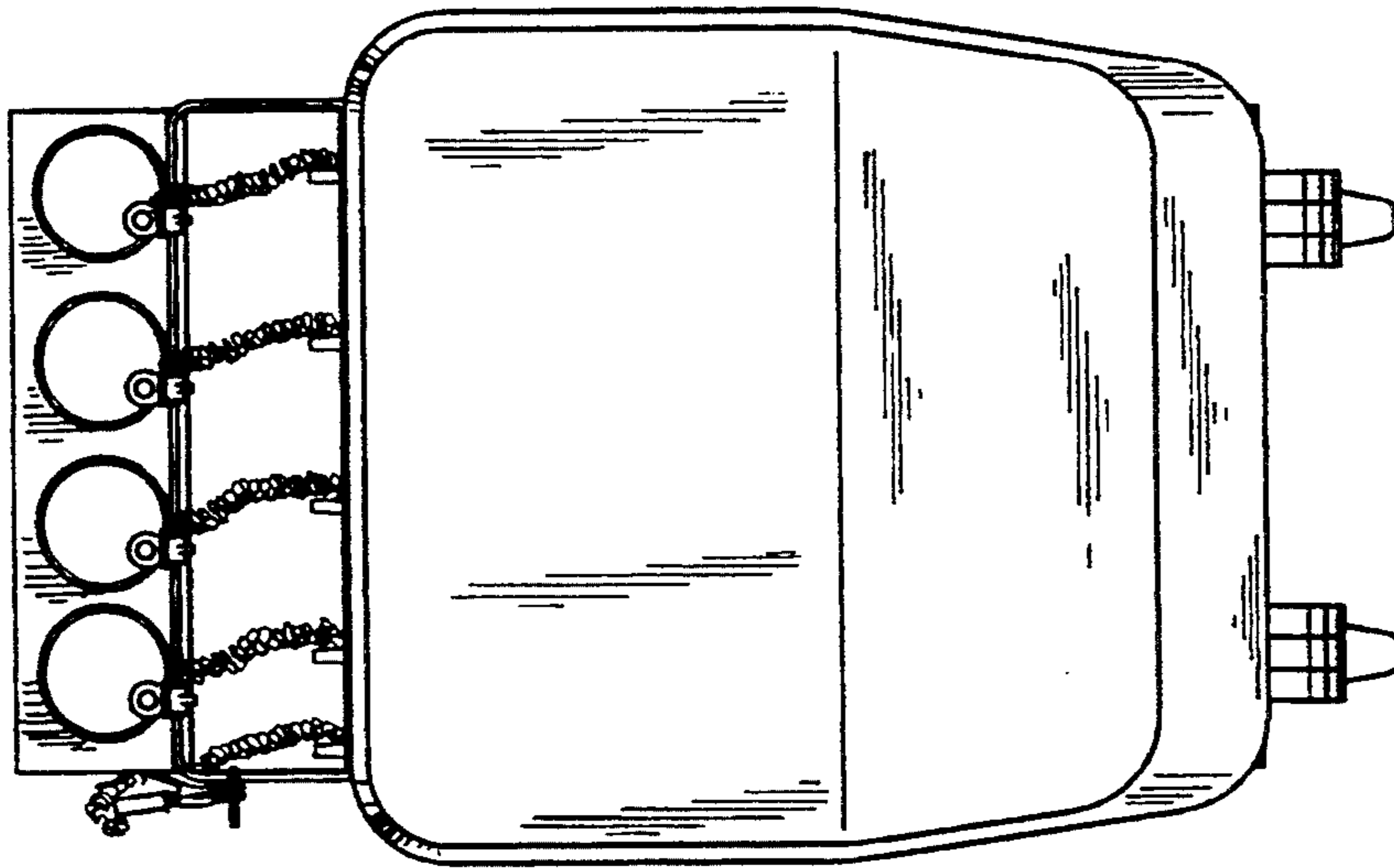


Fig. 7

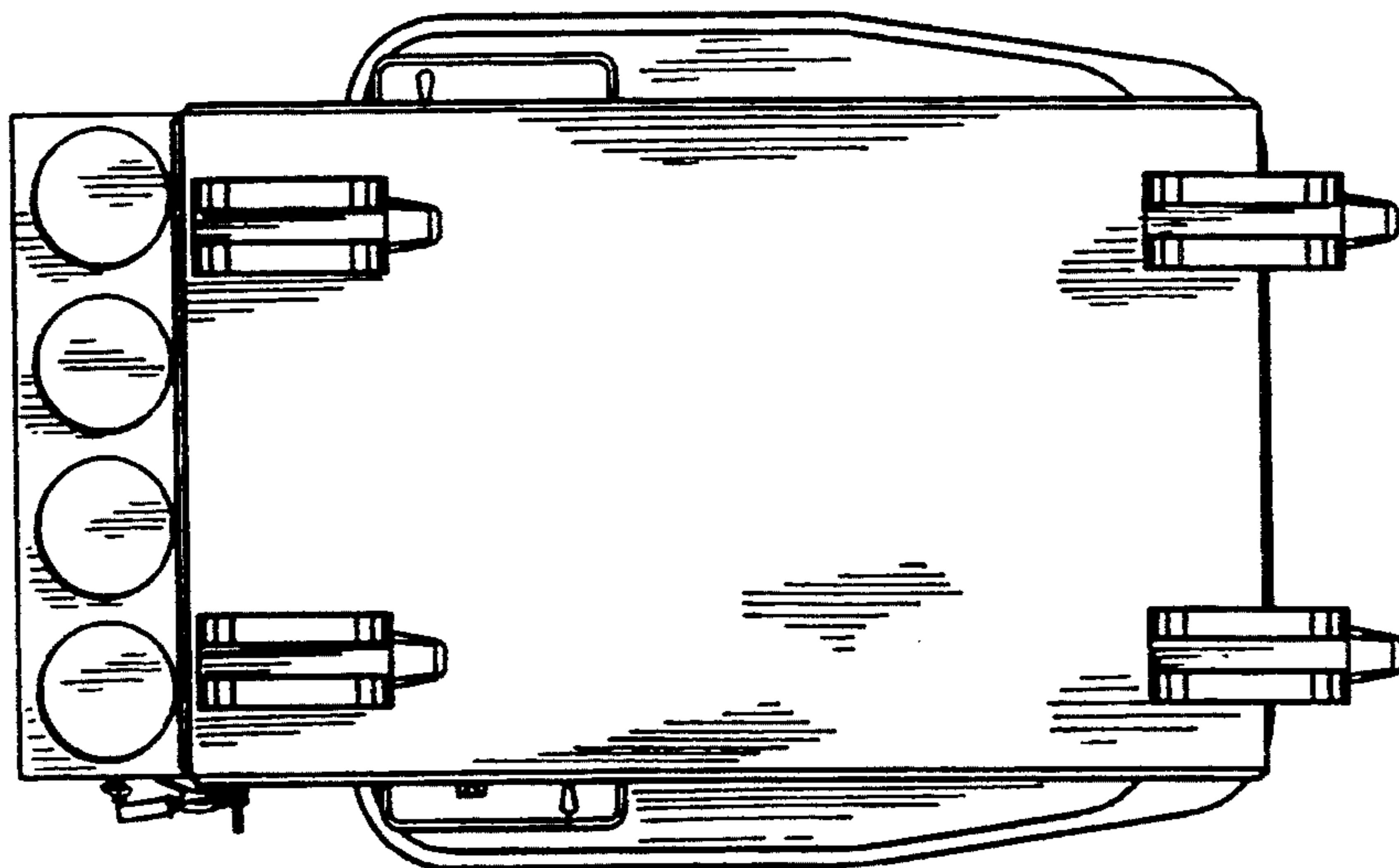


Fig. 8