



US00D358404S

United States Patent [19]

Andrews

[11] Patent Number: **Des. 358,404**

[45] Date of Patent: **** May 16, 1995**

[54] APPLIANCE UNDERLAYMENT

[76] Inventor: **Debbie C. Andrews**, 2917 Central Ave., Birmingham, Ala. 35209

[**] Term: **14 Years**

[21] Appl. No.: **11,868**

[22] Filed: **Aug. 17, 1993**

[52] U.S. Cl. **D15/89**

[58] Field of Search **D15/79-92;**
62/297; 248/188.1, 188.2; 312/137

[56] References Cited

U.S. PATENT DOCUMENTS

D. 130,914	12/1941	Barofsky	D15/88
D. 343,845	2/1994	Drumm	D15/89
2,629,232	2/1953	Latham, Jr.	62/297
2,954,877	10/1960	Sweynor	211/175
3,091,946	6/1963	Kesling	62/297
3,261,177	7/1966	Amann et al.	62/297
4,513,586	4/1985	Jennings et al.	62/263
4,659,053	4/1987	Holley et al.	62/297

5,245,838 9/1993 Cavalea, III 62/297

Primary Examiner—Theodore M. Shooman
Assistant Examiner—Sandra Morris
Attorney, Agent, or Firm—Richard C. Litman

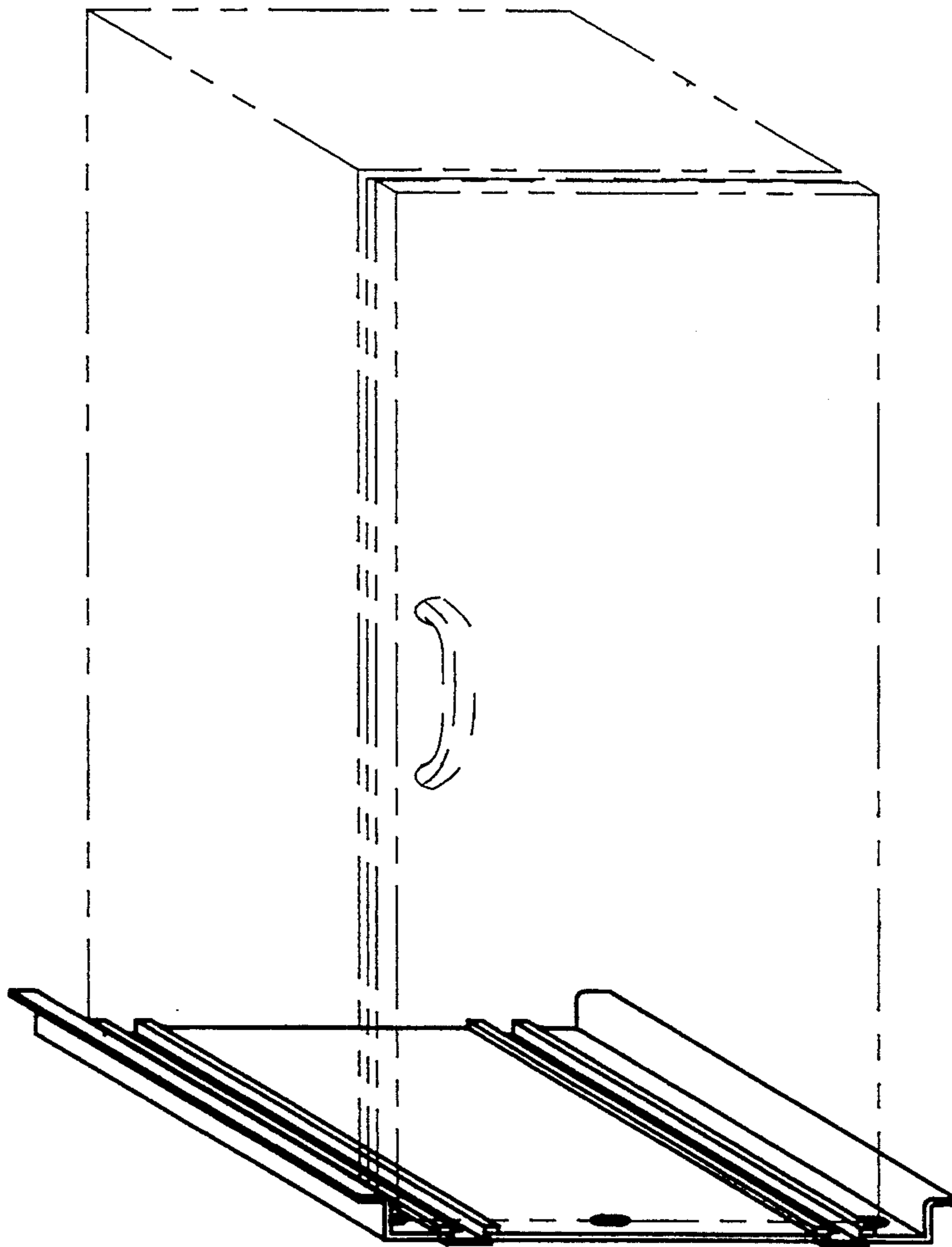
[57] CLAIM

The ornamental design for an appliance underlayment, as shown and described.

DESCRIPTION

FIG. 1 is a an environmental perspective view of an appliance underlayment showing my new design;
FIG. 2 is a perspective view thereof;
FIG. 3 is a front elevational view with the rear view being a mirror image thereof;
FIG. 4 is a top view thereof;
FIG. 5 is a bottom view thereof; and,
FIG. 6 is a right side elevational view with the left side being a mirror image thereof.

The broken line showing a refrigerator in FIG. 1 is for illustrative purposes only and forms no part of the claimed design.



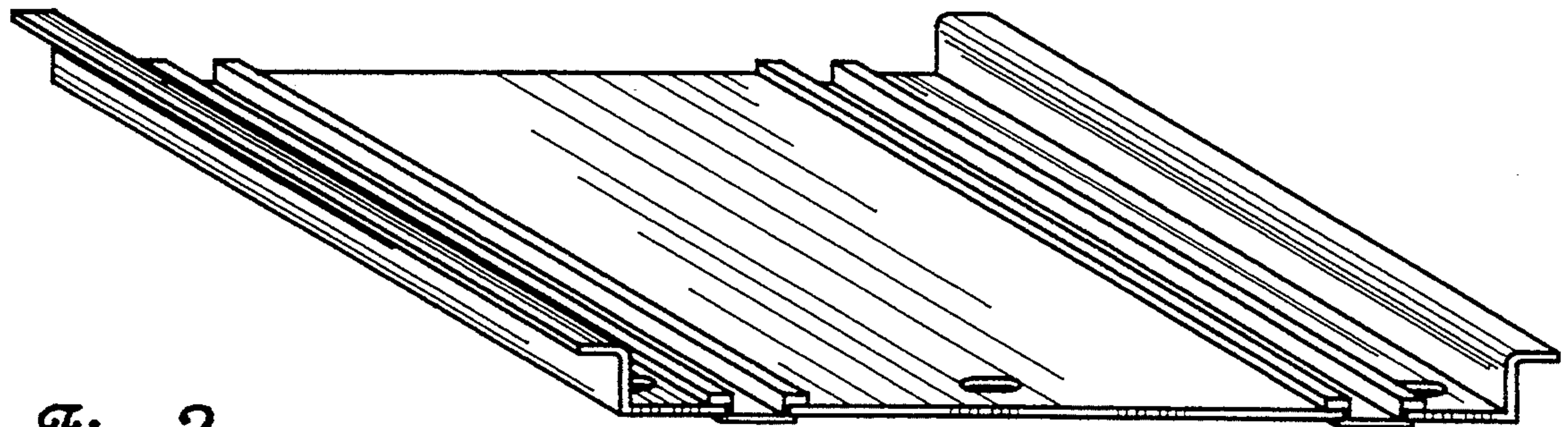


Fig. 2

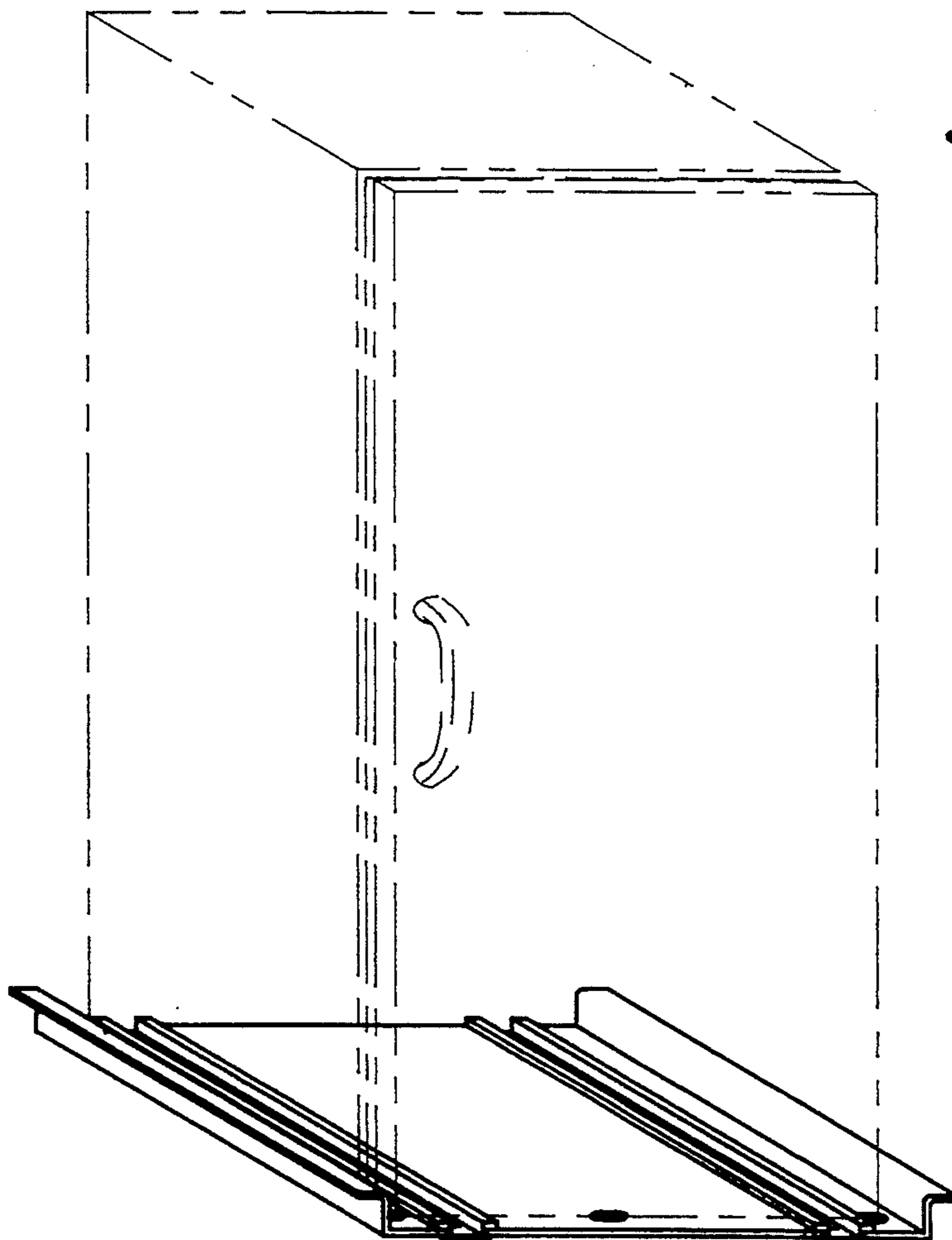


Fig. 1

Fig. 3

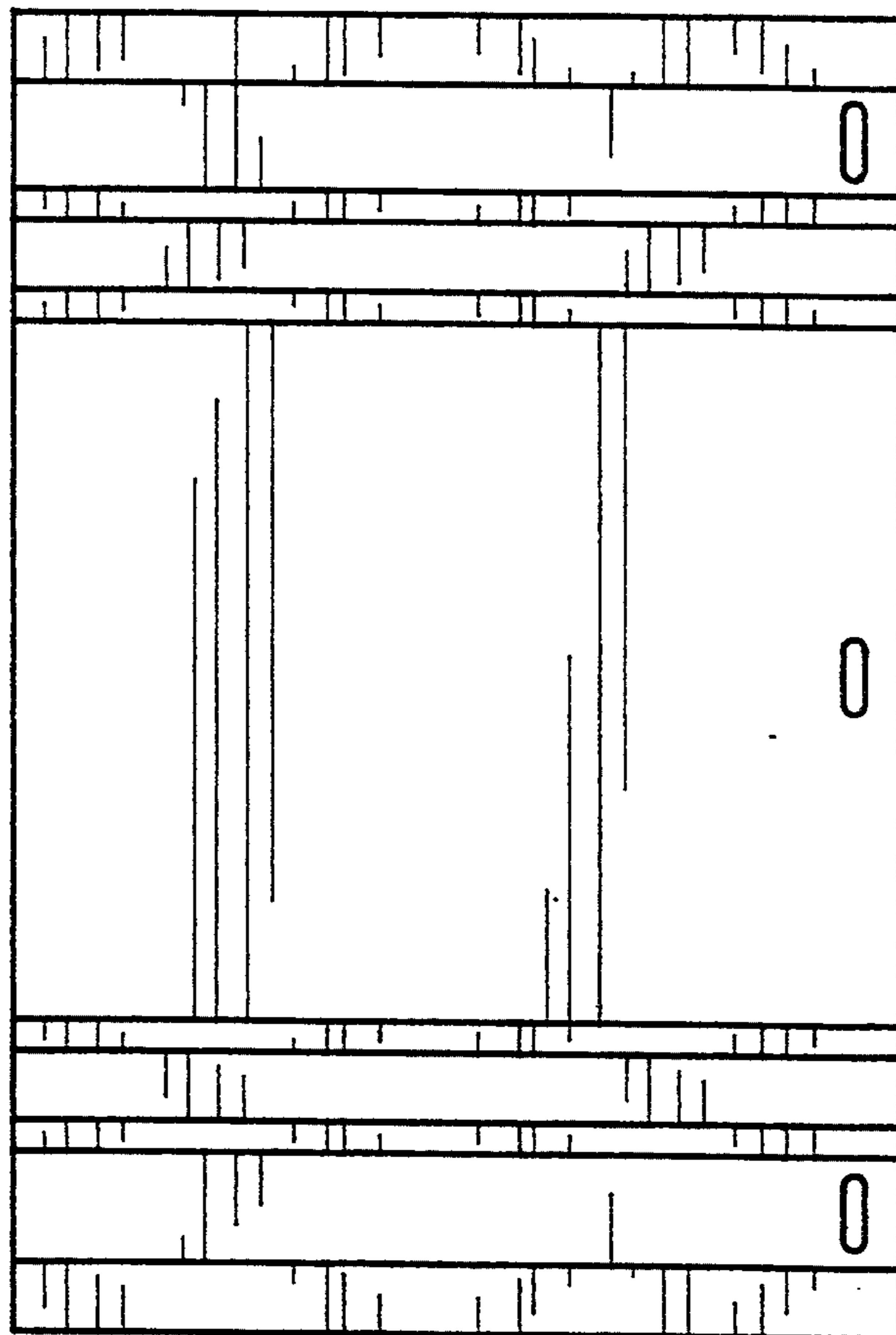
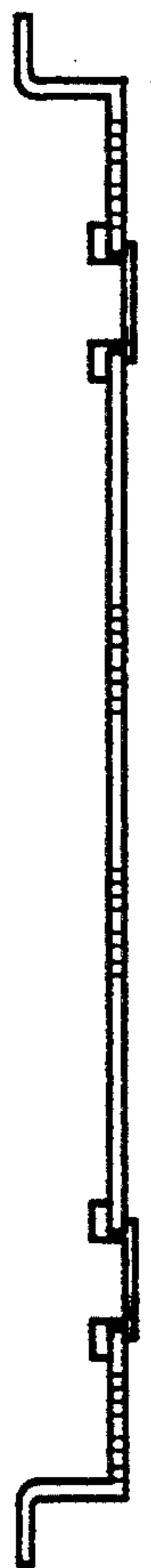


Fig. 4

Fig. 6



Fig. 5

