



US00D358403S

United States Patent [19]

[11] Patent Number: **Des. 358,403**

Edman et al.

[45] Date of Patent: **** May 16, 1995**

[54] **REFRIGERATOR CRISPER DRAWER**

[76] Inventors: **Robin Edman**, 5527 Carnoustie Ct.;
Charles D. Baker, 7418 Wings Livery Rd., both of Dublin, Ohio 43017;
Douglas Ritterling, 1300 Laurel Greene Pl., Galloway, Ohio 43119

3,473,345 10/1969 Pfeiffer et al. 62/408
3,937,537 2/1976 Dietterich 312/404
4,013,434 3/1977 Kronenberger et al. 62/408
4,960,308 10/1990 Donaghy 312/404

[**] Term: **14 Years**

OTHER PUBLICATIONS

1985 Sweets Catalog File vol. 3, 11.27a/Hot p. 7 Hot-point Fruit Drawer.
1985 Sweets Catalog File vol. 3 11.27a/GE p. 6 Food Drawers.

[21] Appl. No.: **3,552**

Primary Examiner—Prabhakar G. Deshmukh
Assistant Examiner—Sandra Morris

[22] Filed: **Jan. 12, 1993**

[52] U.S. Cl. **D15/89**

[58] Field of Search 315/79-91;
62/344, 382, 401, 408; 312/35, 128, 132, 401,
404, 408

[57] CLAIM

The ornamental design for a refrigerator crisper drawer, as shown and described.

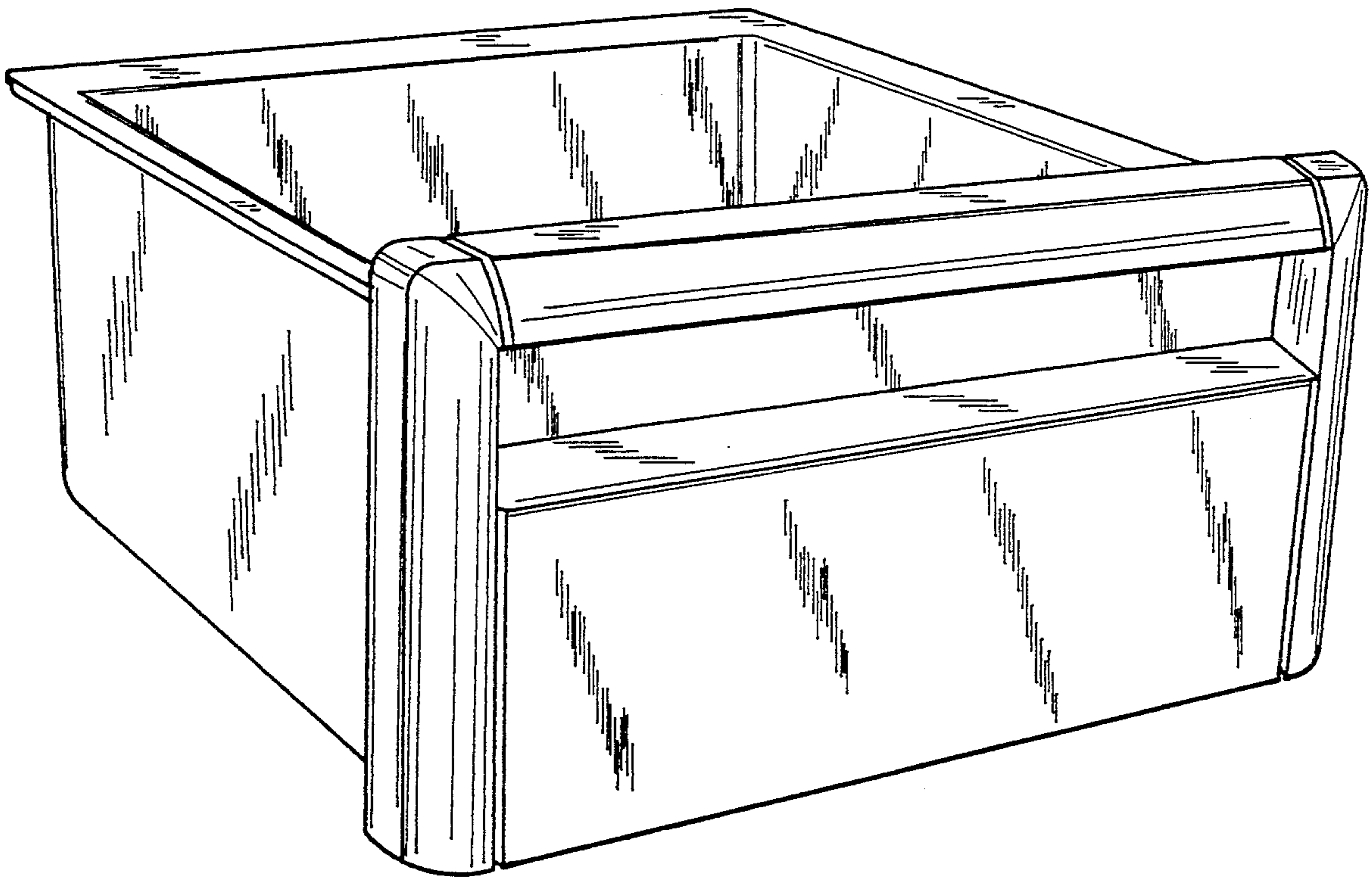
[56] References Cited

DESCRIPTION

U.S. PATENT DOCUMENTS

D. 119,805	4/1940	Janes et al.	D15/89
D. 154,963	8/1949	Doren et al.	D15/88
D. 155,355	9/1949	Norberg	D15/89
2,962,183	11/1960	Rill, Jr. et al.	312/401
2,984,533	5/1961	Sundberg	312/408
3,266,858	8/1966	Klotz	312/404

FIG. 1 is a front perspective view of a refrigerator crisper drawer in accordance with our design;
FIG. 2 is a top plan view thereof;
FIG. 3 is a left end elevation view thereof;
FIG. 4 is a front elevation view thereof;
FIG. 5 is a right end elevation view thereof; and,
FIG. 6 is a bottom plan view thereof.



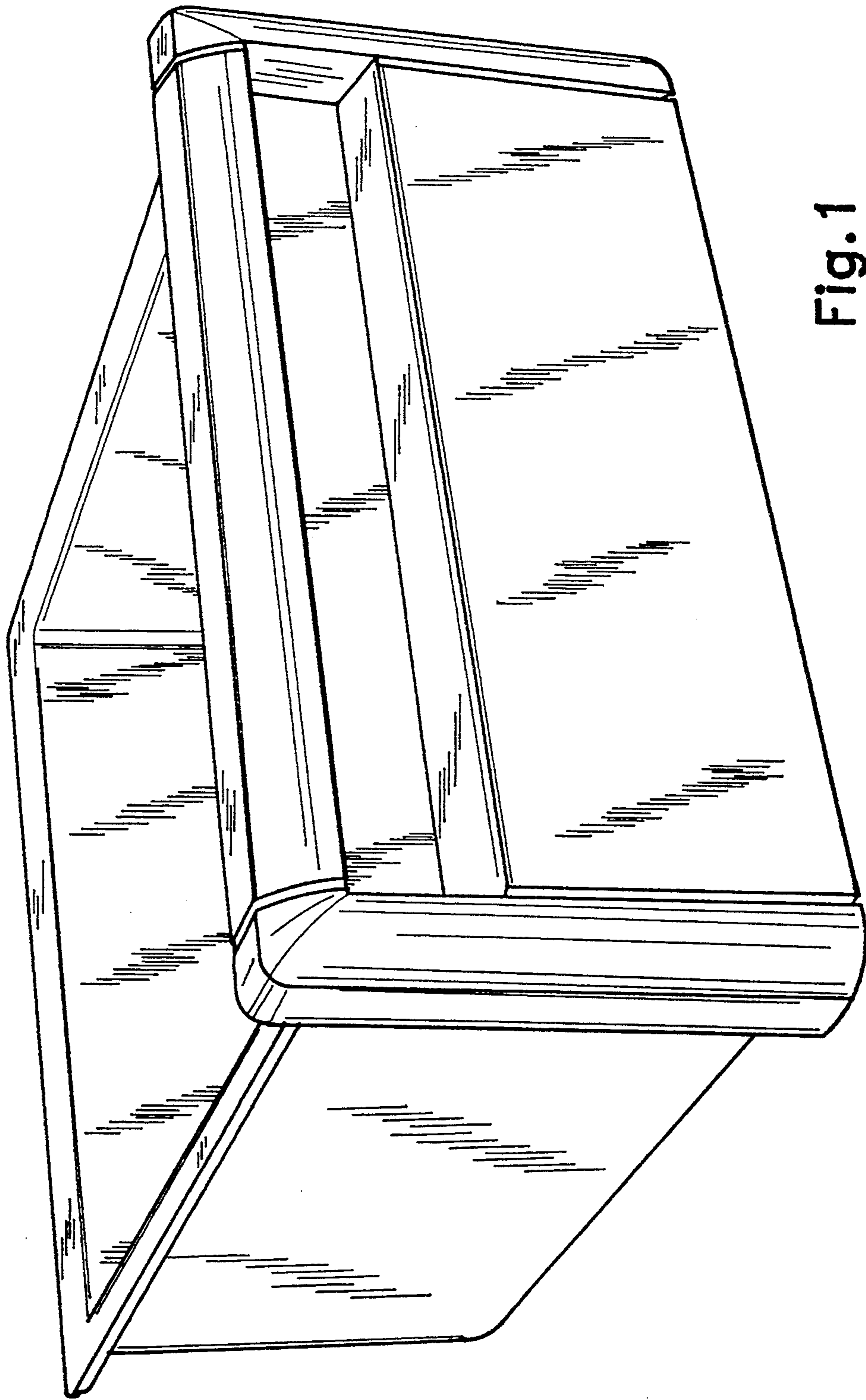


Fig. 1

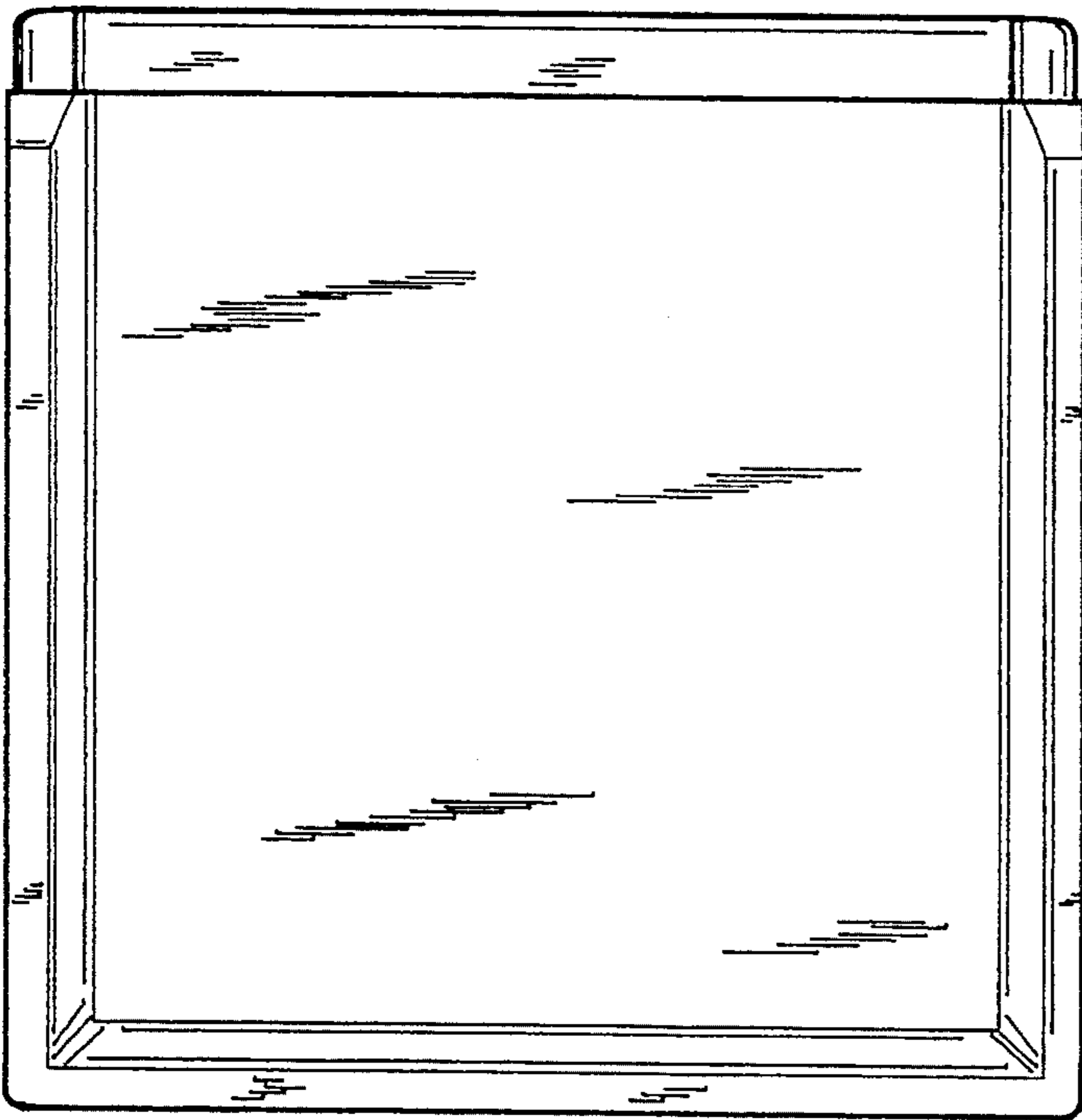


Fig. 2

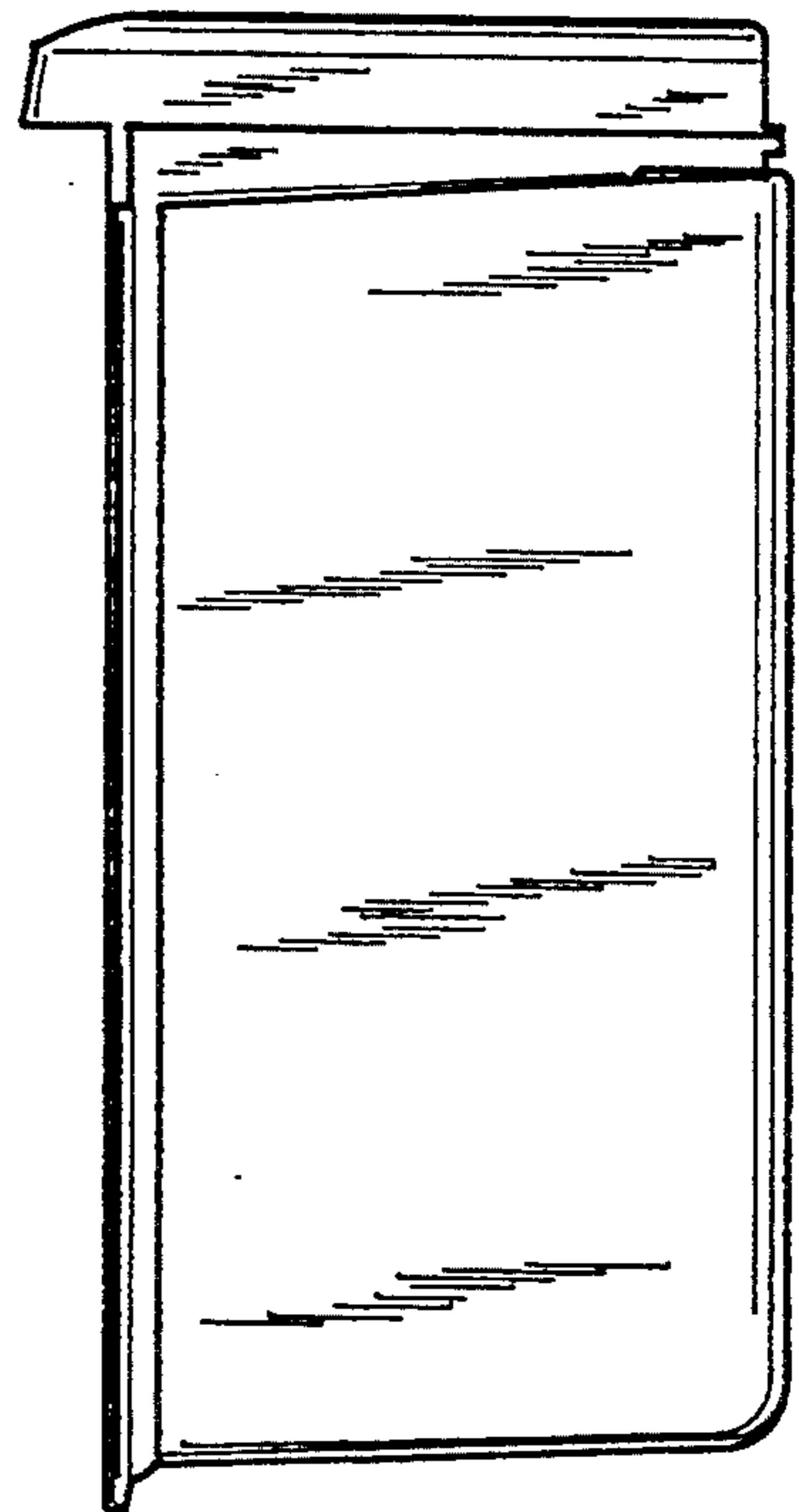


Fig. 3

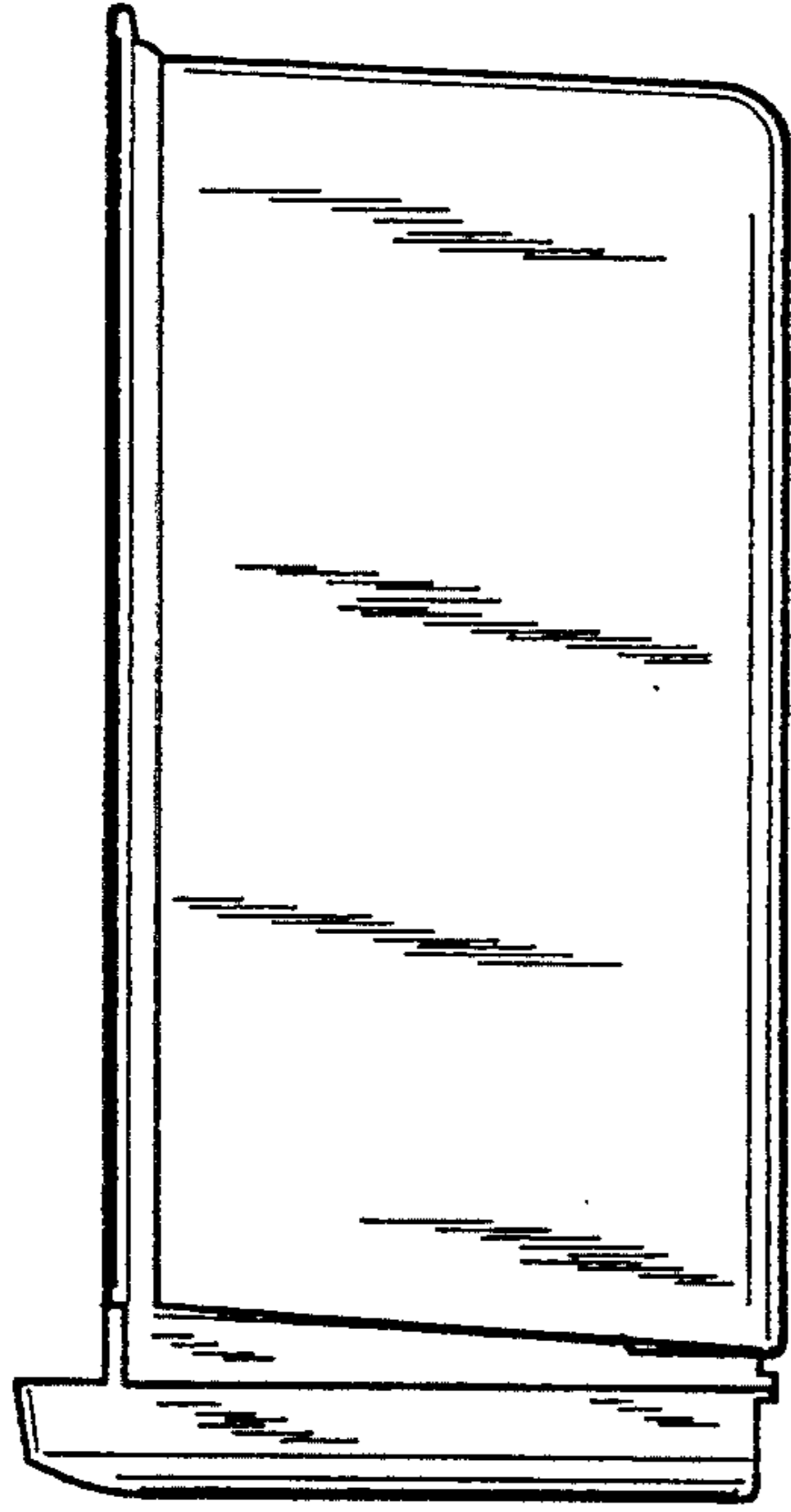


Fig. 5

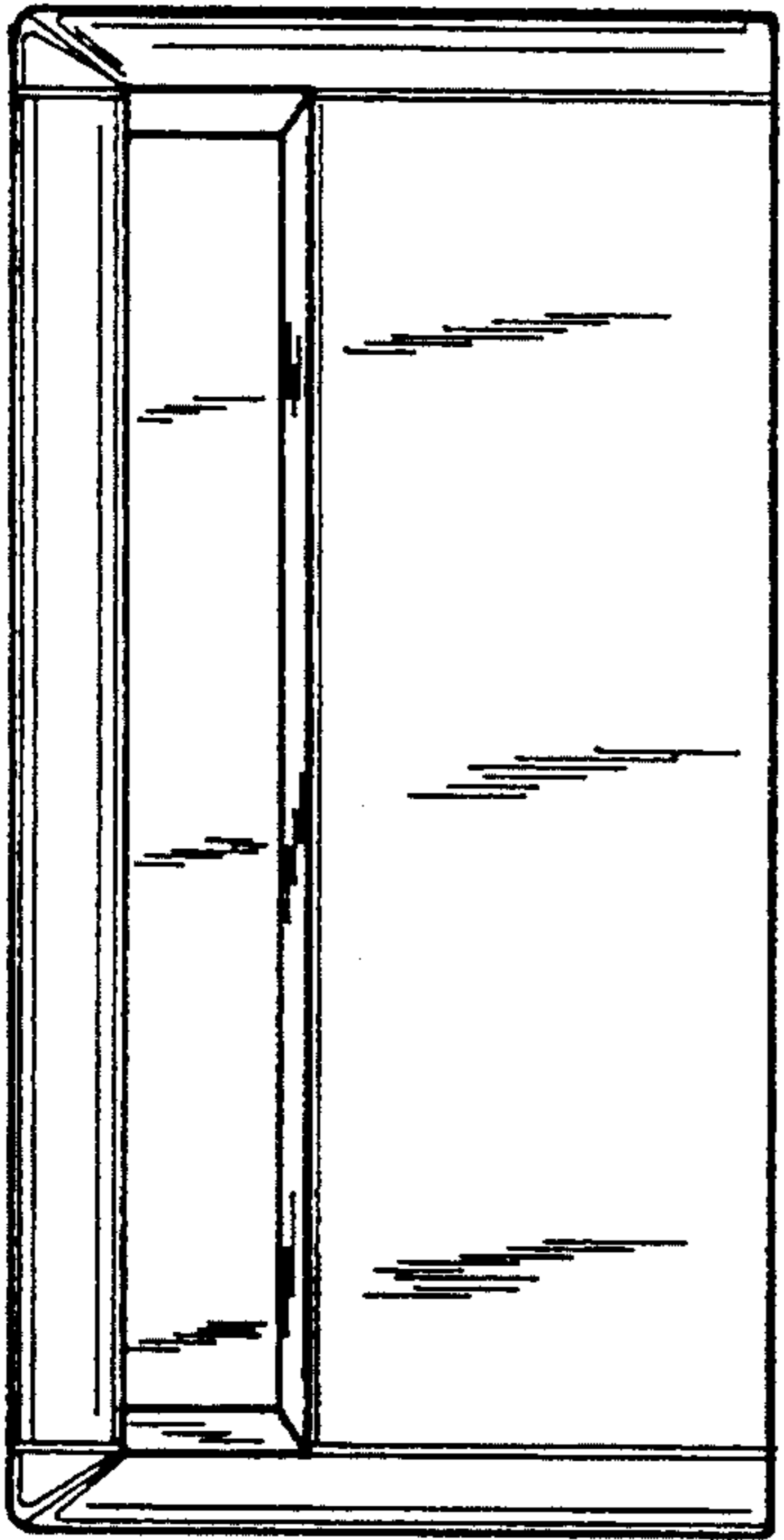


Fig. 4

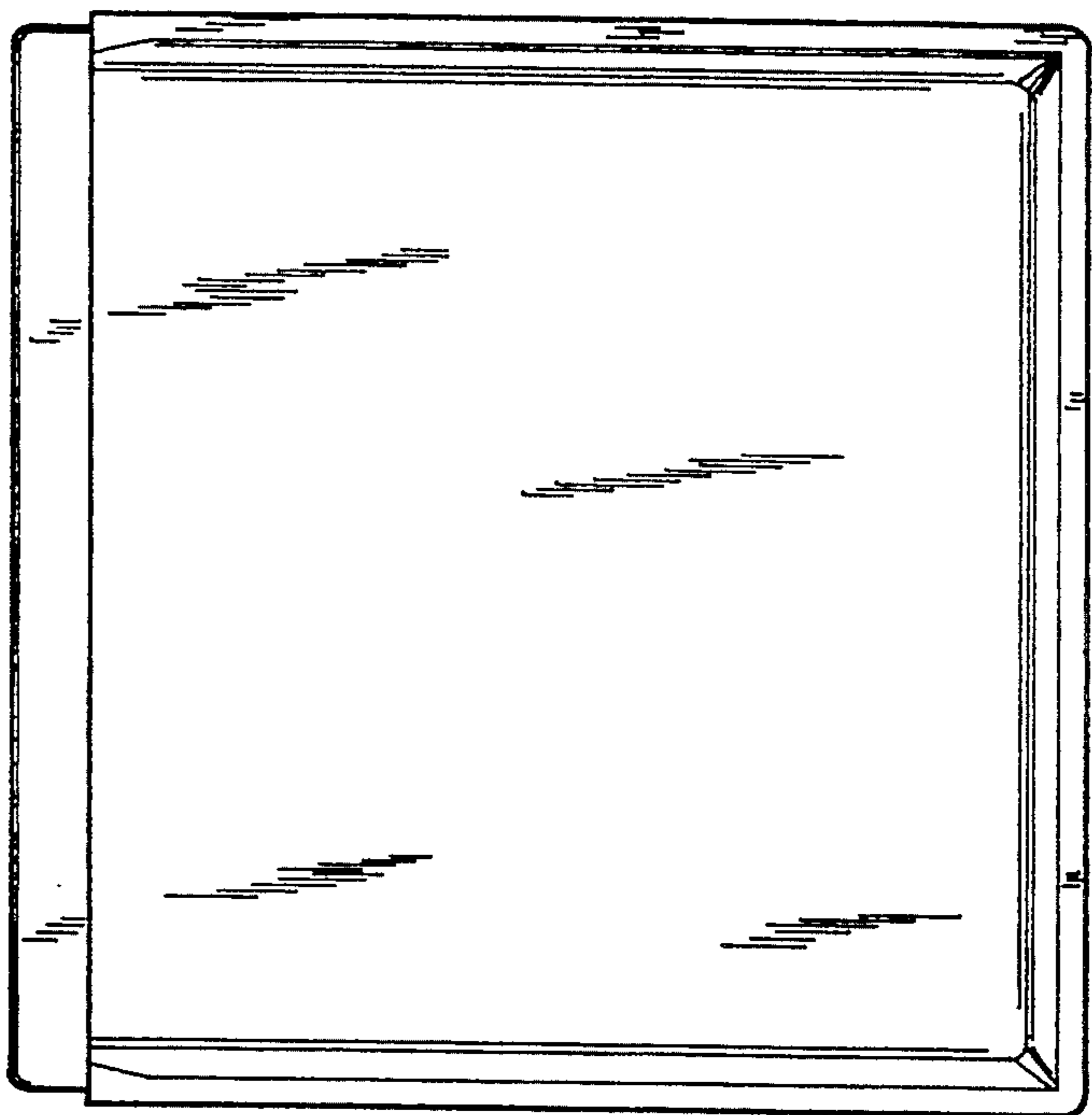


Fig. 6

UNITED STATES PATENT AND TRADEMARK OFFICE
CERTIFICATE OF CORRECTION

PATENT NO. : Des. 358,403

DATED : May 16, 1995

INVENTOR(S) : Edman et al.

It is certified that error appears in the above-identified patent and that said Letters Patent is hereby corrected as shown below:

On the title page item [73], the following information should be inserted with respect to the assignee: --White Consolidated Industries, Inc., Cleveland, Ohio --.

On the title page under item [56], the following information should be inserted with respect to the Attorney, Agent or Firm: --Pearne, Gordon, McCoy & Granger--.

Signed and Sealed this
Twenty-fifth Day of June, 1996

Attest:



BRUCE LEHMAN

Attesting Officer

Commissioner of Patents and Trademarks