



US00D358401S

United States Patent [19]

[11] Patent Number: **Des. 358,401**

Devaney

[45] Date of Patent: ** May 16, 1995

[54] EARTH GRADER

[76] Inventor: **Charles E. Devaney**, 16700 Pueblo Blvd., Jordan, Minn. 55352

[**] Term: **14 Years**

[21] Appl. No.: **15,181**

[22] Filed: **Nov. 9, 1993**

[52] U.S. Cl. **D15/27; D15/11**

[58] Field of Search **D15/10, 11, 17, 22-28; 171/19, 28; 172/195-199, 439, 445.1, 451; 404/118**

[56] References Cited

U.S. PATENT DOCUMENTS

D. 258,592	3/1981	Staley	D15/11
563,760	7/1896	Folsom .	
1,176,591	3/1916	Monroe .	
1,247,416	11/1917	Leak .	
1,585,044	5/1926	Patton .	
1,727,181	9/1929	Skinner .	
2,817,203	12/1957	Sievers et al. .	
2,983,060	5/1961	Rosselot .	
2,994,142	8/1961	Newell et al. .	
3,122,209	2/1964	Crites .	
3,556,228	1/1971	Mork	172/199
3,705,630	12/1972	Vissers	172/713
4,196,778	4/1980	Smith	172/199
4,320,988	3/1982	Seal	404/118
4,386,662	6/1983	Kalif	172/445.1
4,412,589	11/1983	Francis	172/197
4,418,759	12/1983	Mork	172/197
4,436,040	3/1984	Chumley	172/197
4,448,258	5/1984	Mork	172/197
4,585,075	4/1986	Mork	172/197
4,655,297	4/1987	Bourgeois, Jr.	172/445.1
5,024,280	6/1991	Mork	172/197
5,265,975	11/1993	Scott	172/197

FOREIGN PATENT DOCUMENTS

2147183	5/1985	United Kingdom	172/197
---------	--------	----------------------	---------

OTHER PUBLICATIONS

E-Z Implements Inc. brochure, May, 1991.

Primary Examiner—Theodore M. Shooman

Assistant Examiner—Sandra Morris

Attorney, Agent, or Firm—Burd, Bartz & Gutenkauf

[57] CLAIM

The ornamental design for an earth grader, as shown and described.

DESCRIPTION

FIG. 1 is a perspective view of an earth grader of my new design;

FIG. 2 is a top plan view thereof;

FIG. 3 is a front elevational view thereof;

FIG. 4 is a left side elevational view thereof;

FIG. 5 is a right side elevational view thereof;

FIG. 6 is a rear elevational view thereof;

FIG. 7 is a bottom plan view thereof;

FIG. 8 is an enlarged perspective view of a tooth of the earth grader of FIG. 1, shown separately for ease of illustration;

FIG. 9 is a front plan view of the tooth of FIG. 8;

FIG. 10 is a rear plan view of the tooth of FIG. 8;

FIG. 11 is a side elevational view of the tooth of FIG. 8, the opposite side being a mirror image thereof;

FIG. 12 is a top plan view thereof;

FIG. 13 is a bottom plan view thereof;

FIG. 14 is a perspective view showing a second embodiment of the earth grader, as shown in FIG. 1;

FIG. 15 is a top plan view of the earth grader of FIG. 14;

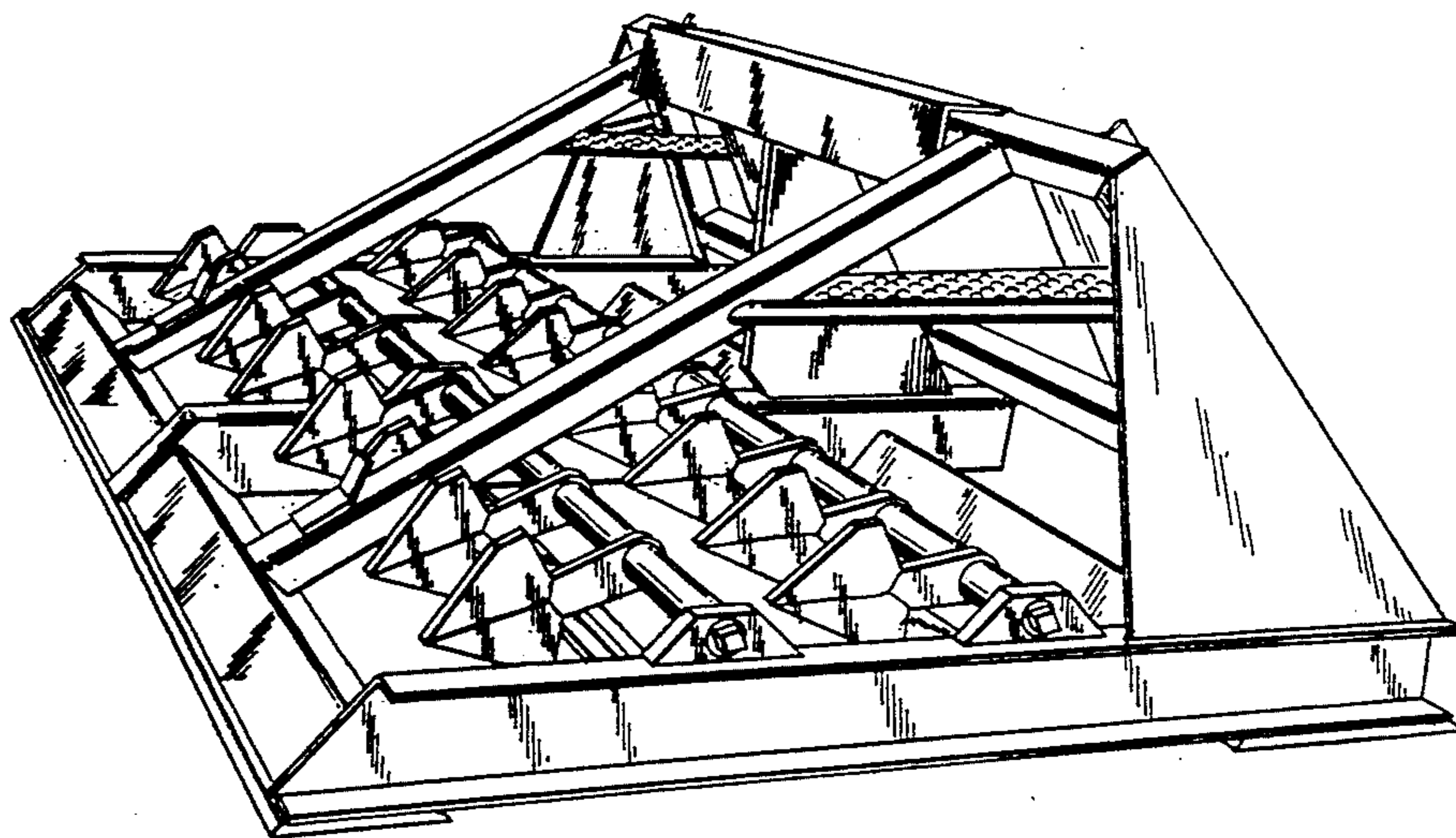
FIG. 16 is a front elevational view of the earth grader of FIG. 14;

FIG. 17 is a left side elevational view of the earth grader of FIG. 14;

FIG. 18 is a right side elevational view of the earth grader of FIG. 14;

FIG. 19 is a rear elevational view of the earth grader of FIG. 14; and,

FIG. 20 is a bottom plan view of the earth grader of FIG. 14.



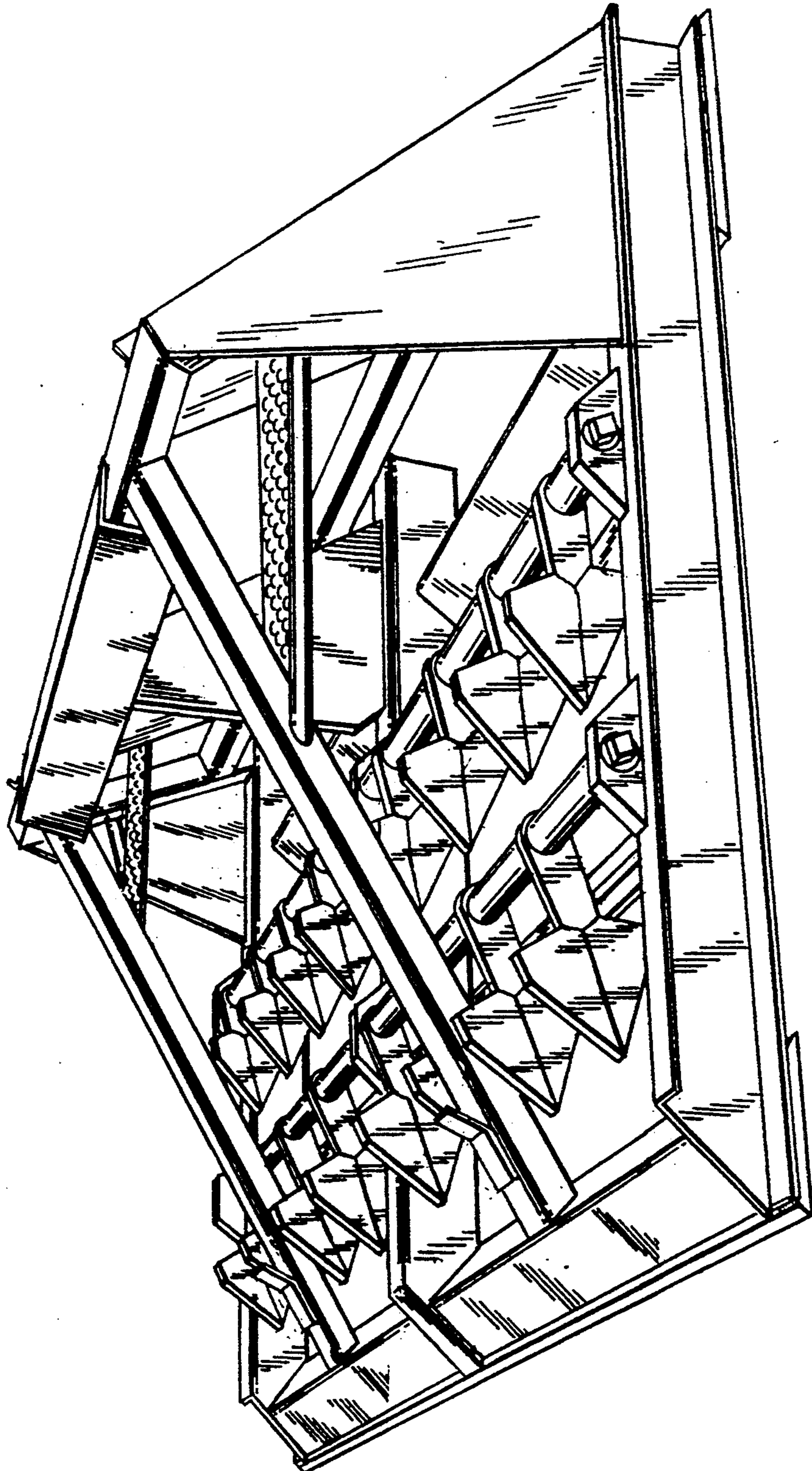


Fig. 1

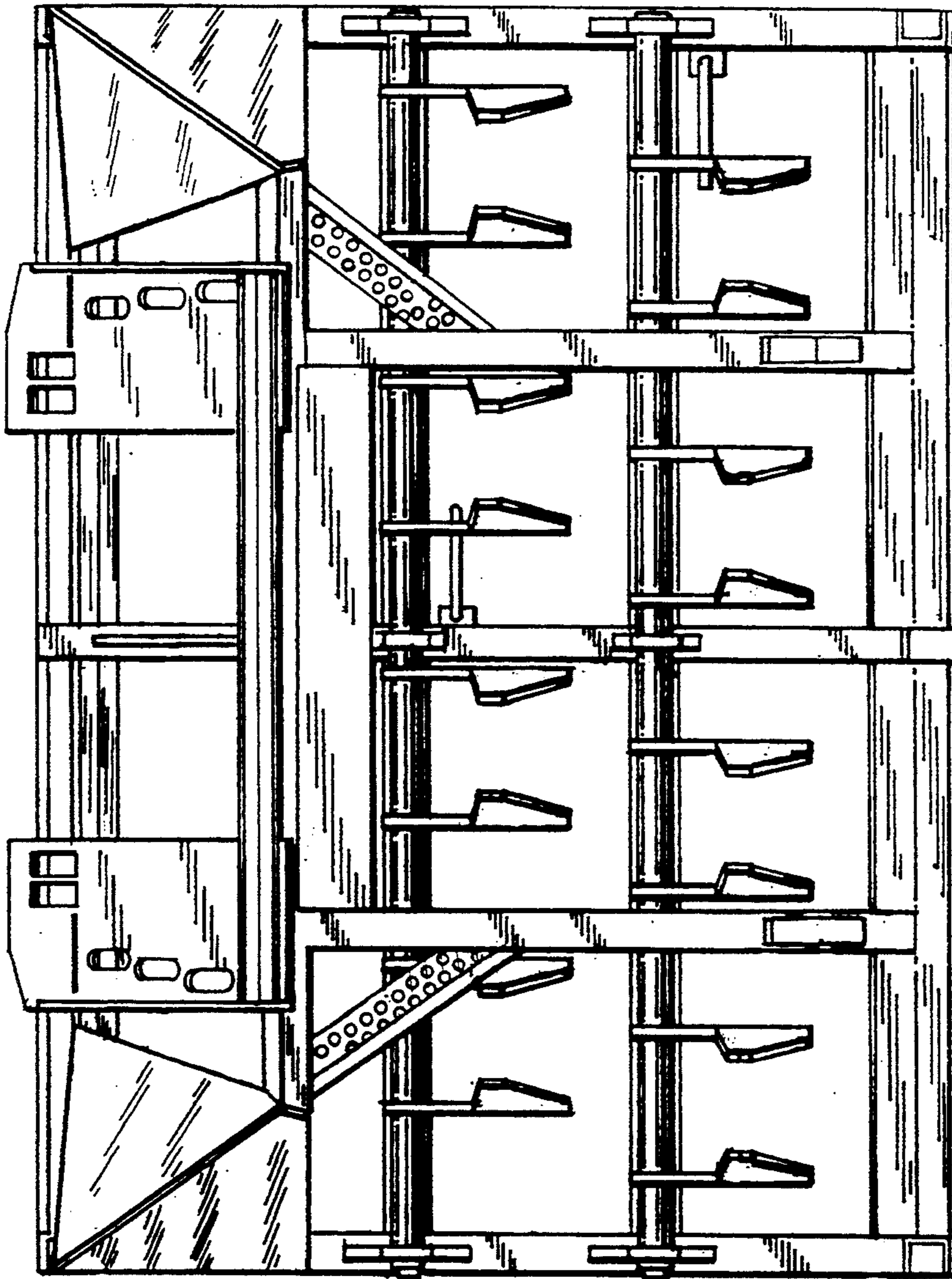


Fig. 2

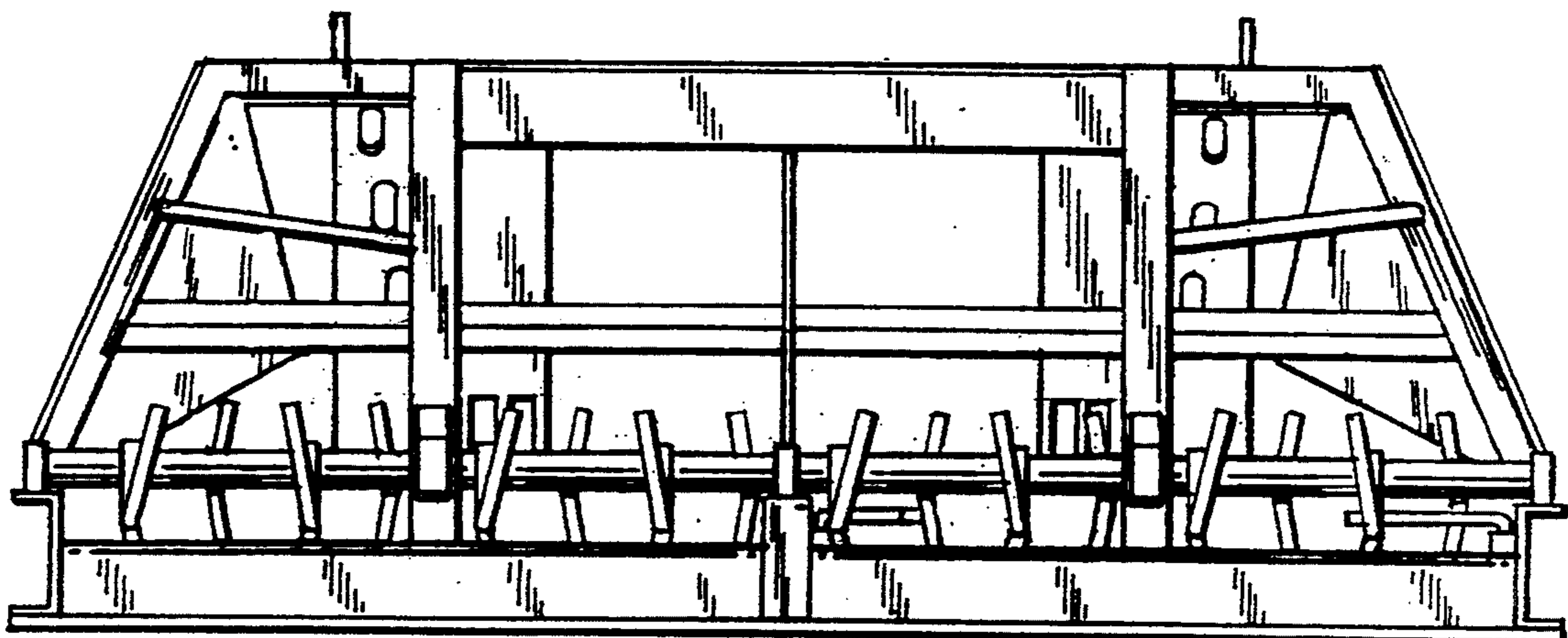


Fig. 3

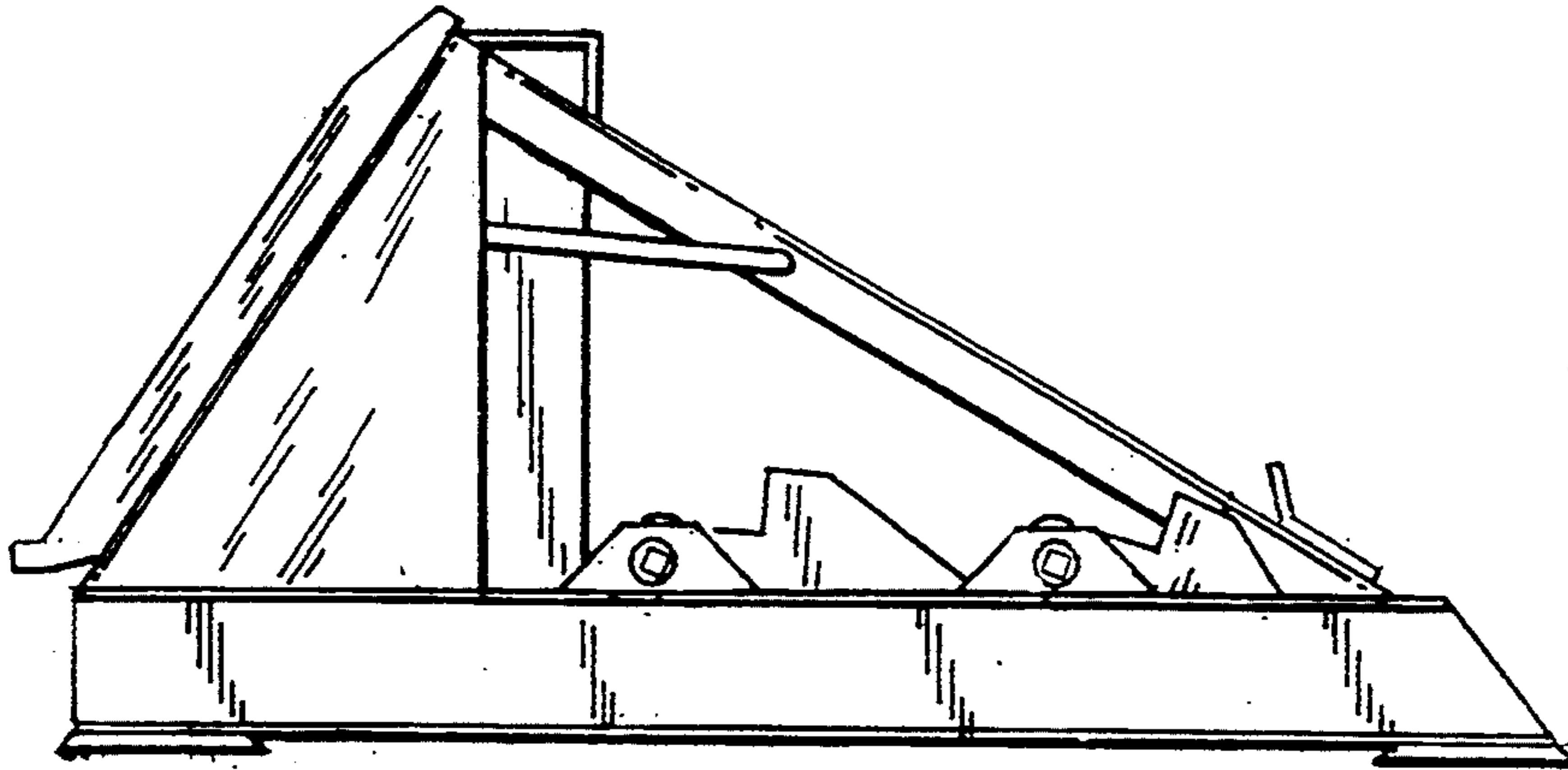


Fig. 4

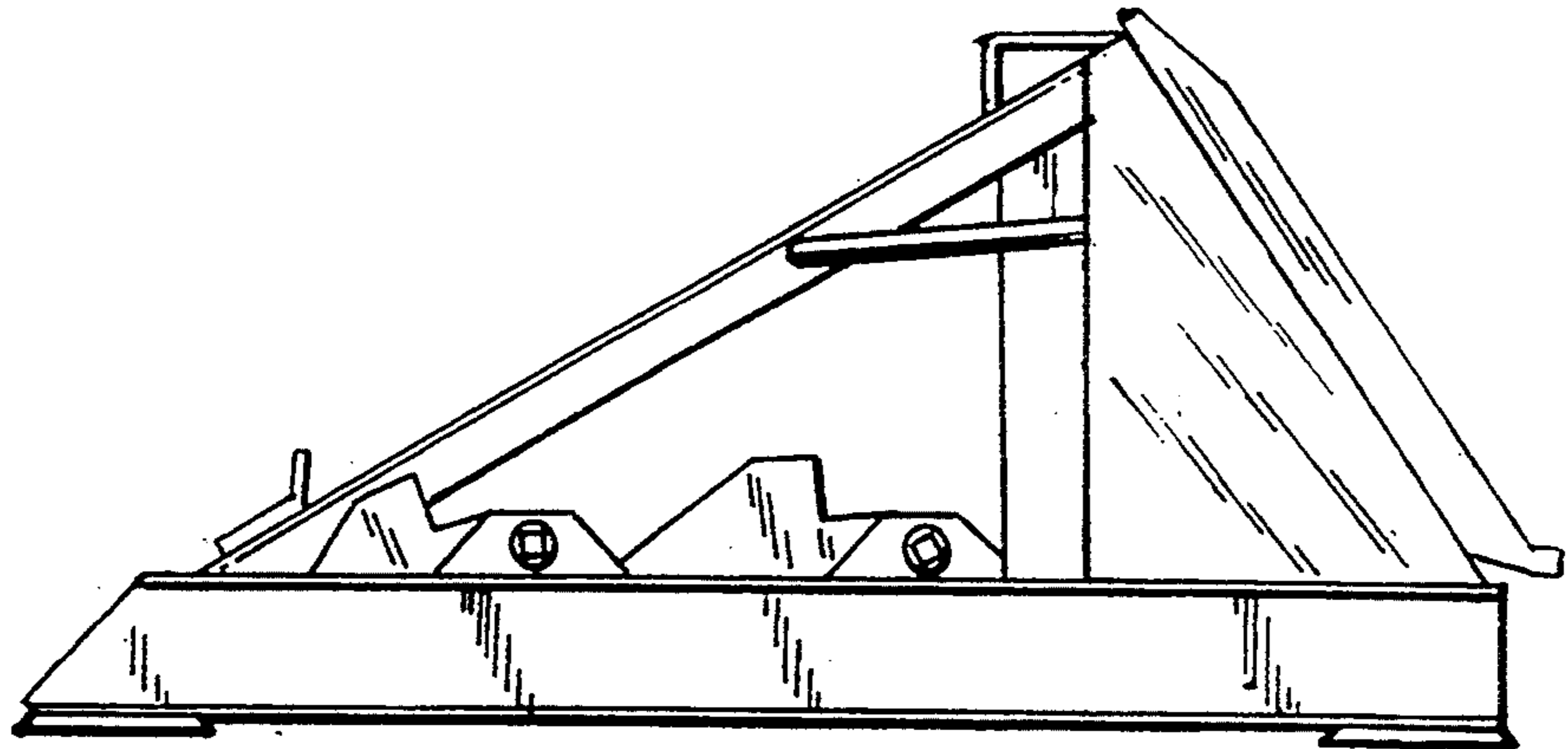


Fig. 5

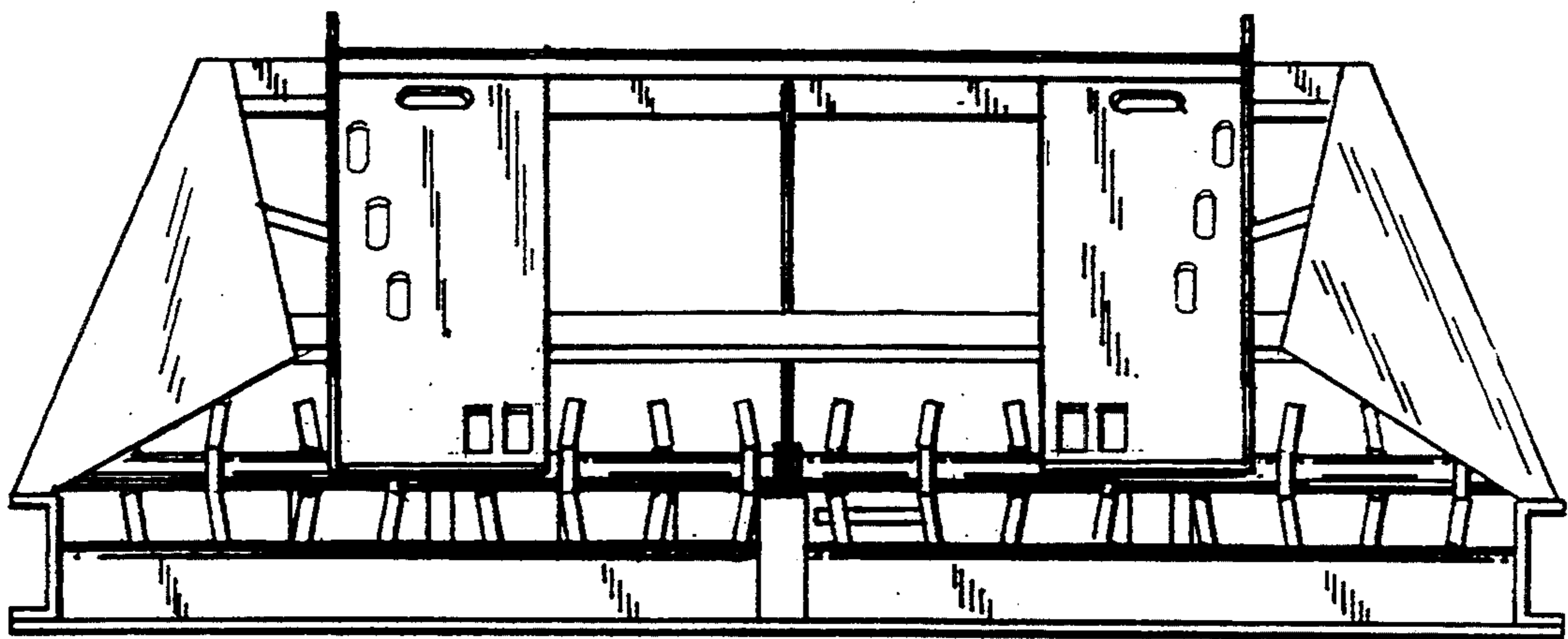


Fig. 6

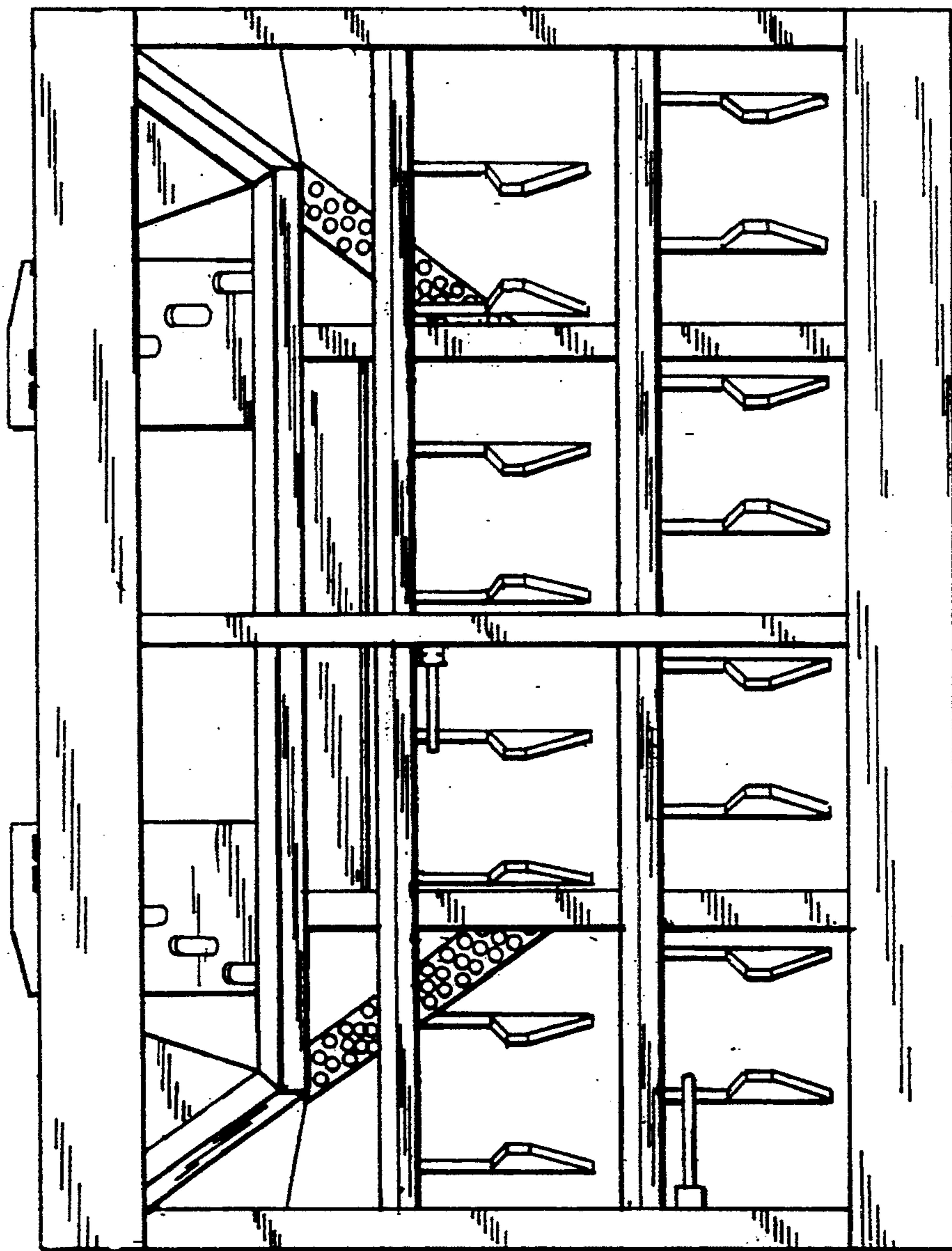


Fig. 7

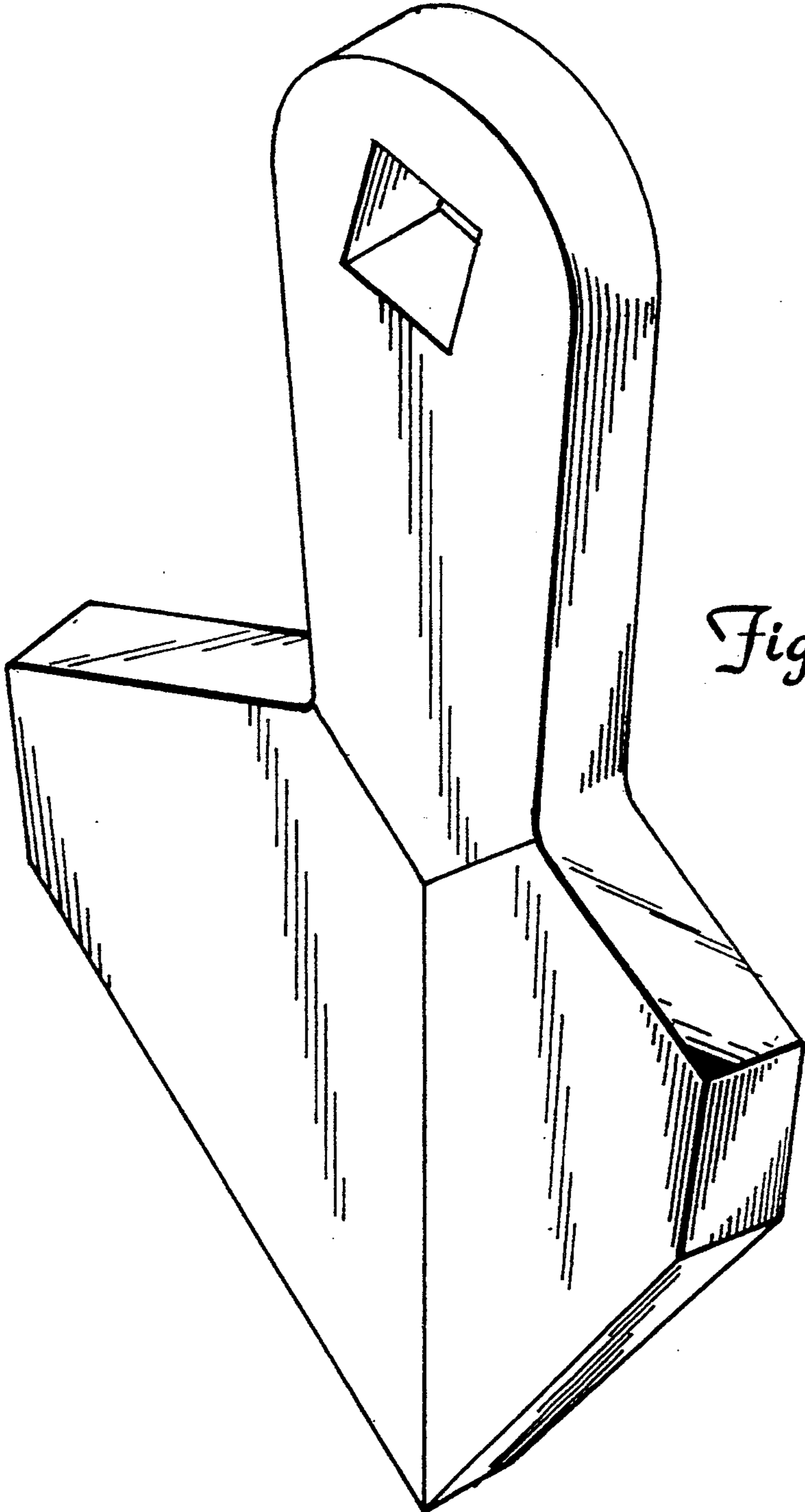


Fig. 8

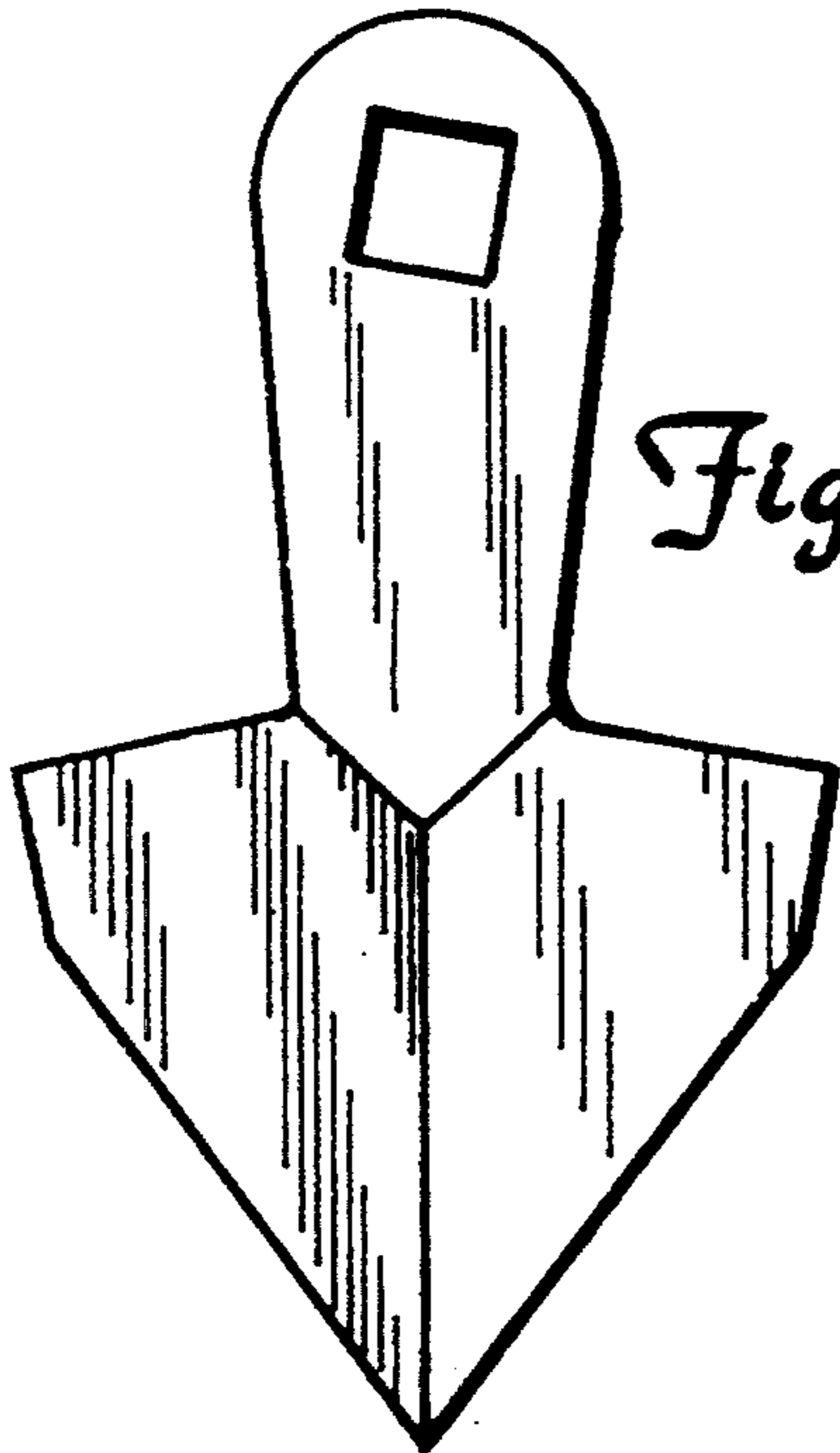


Fig. 9

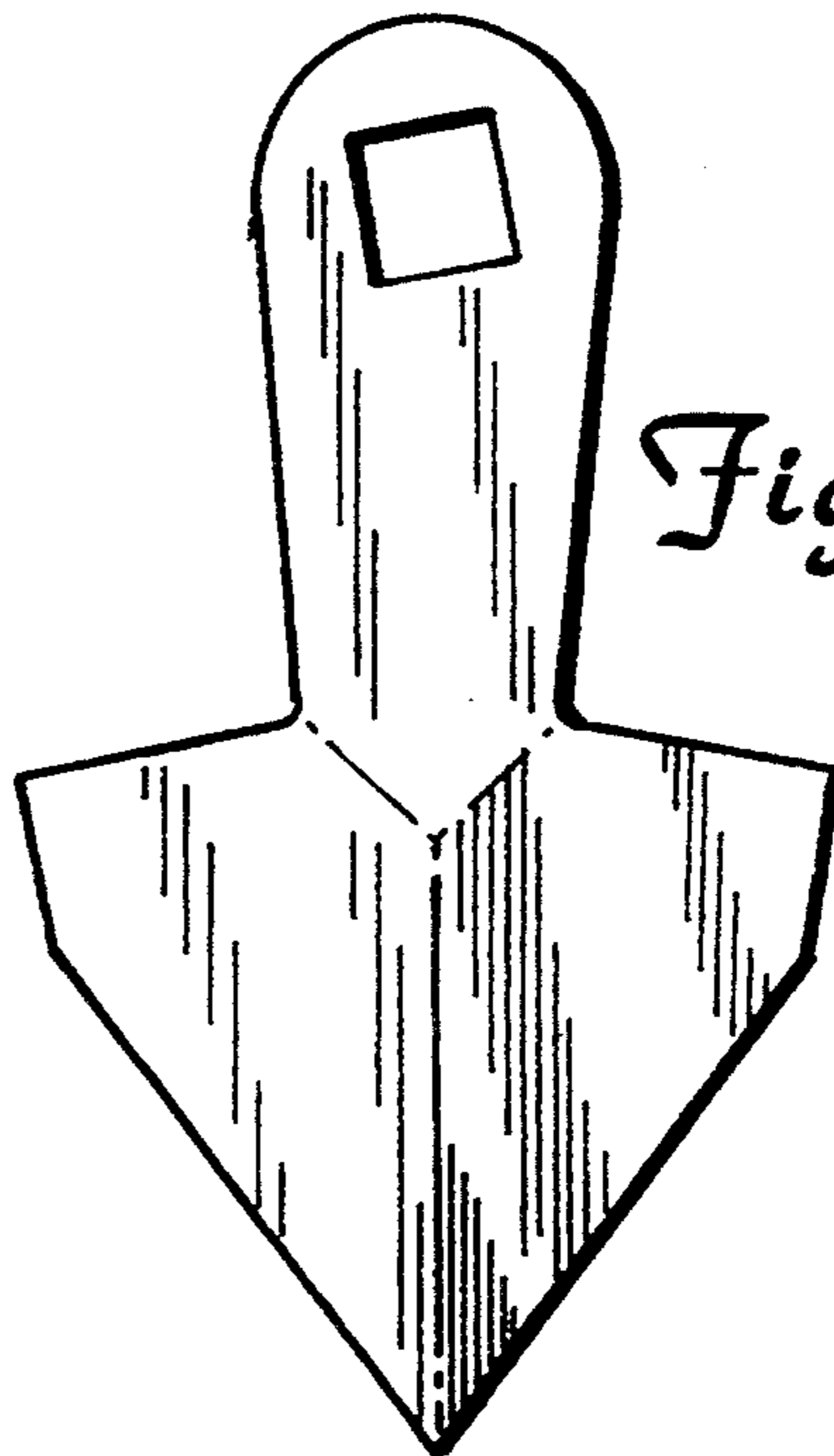


Fig. 10



Fig. 11



Fig. 12



Fig. 13

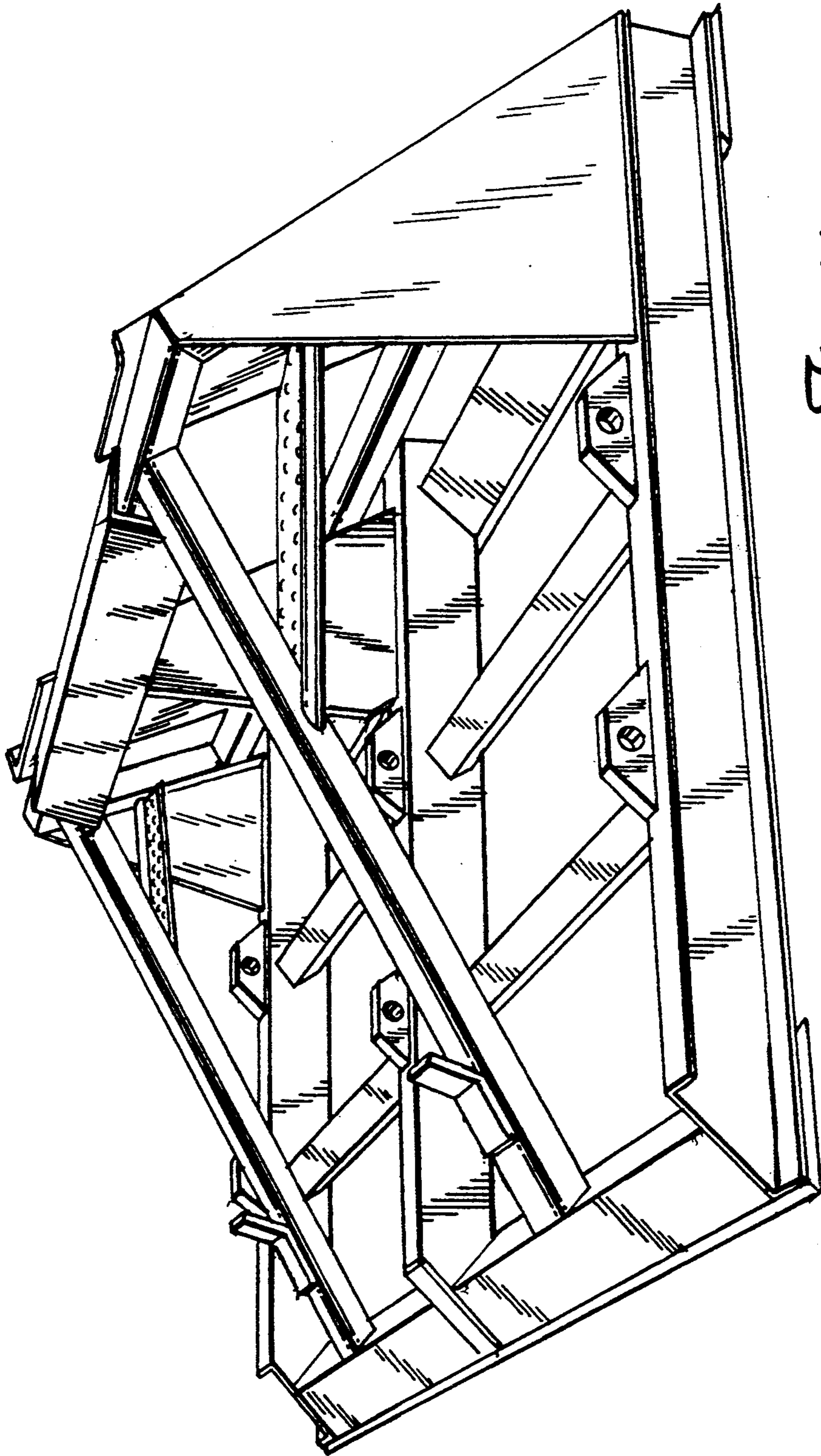


Fig. 14

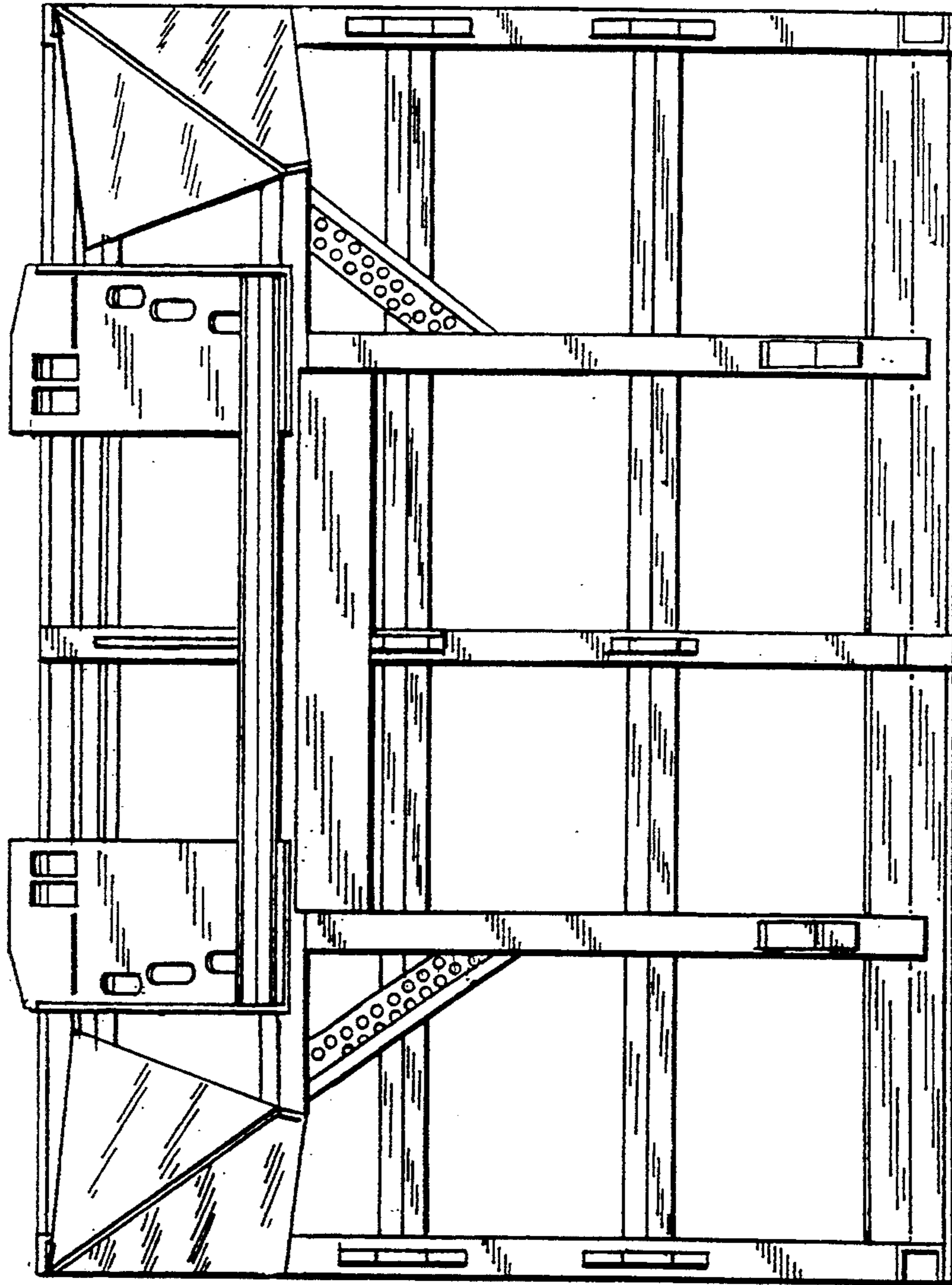


Fig. 15

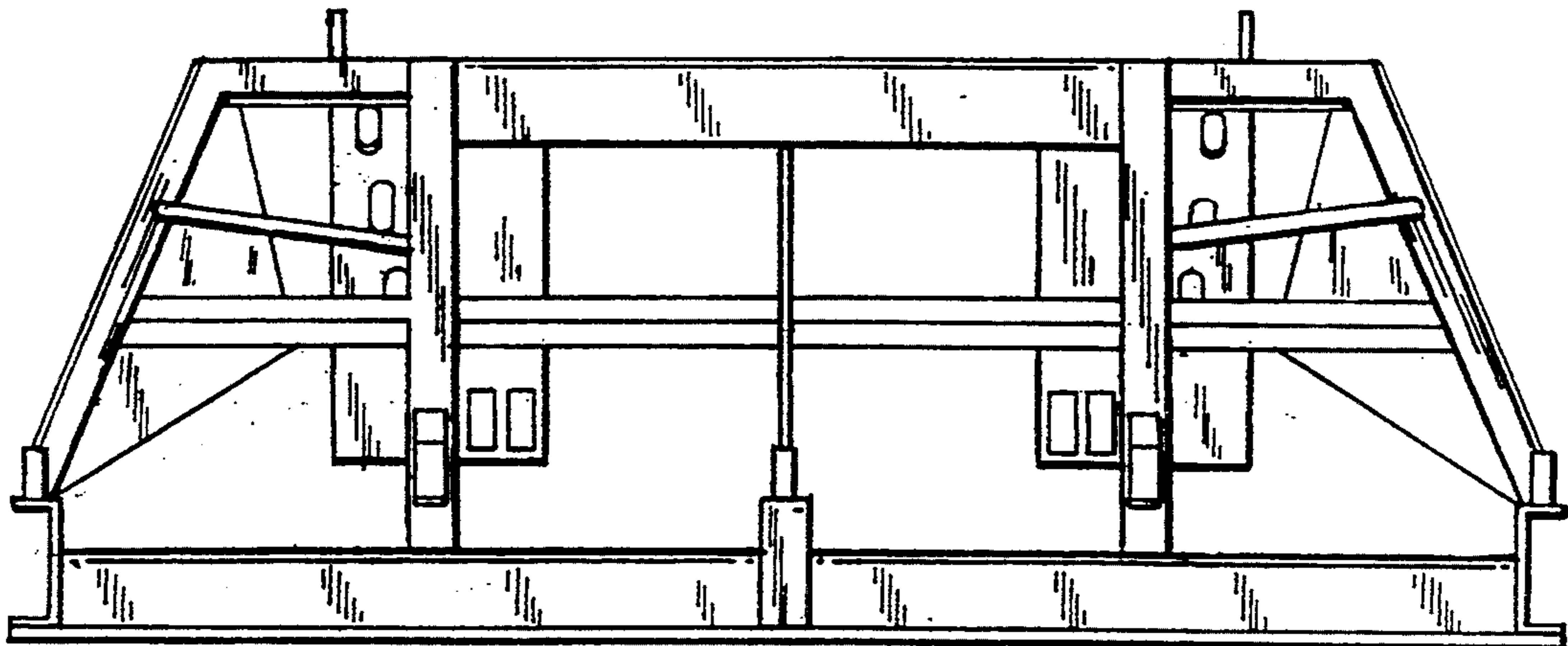


Fig. 16

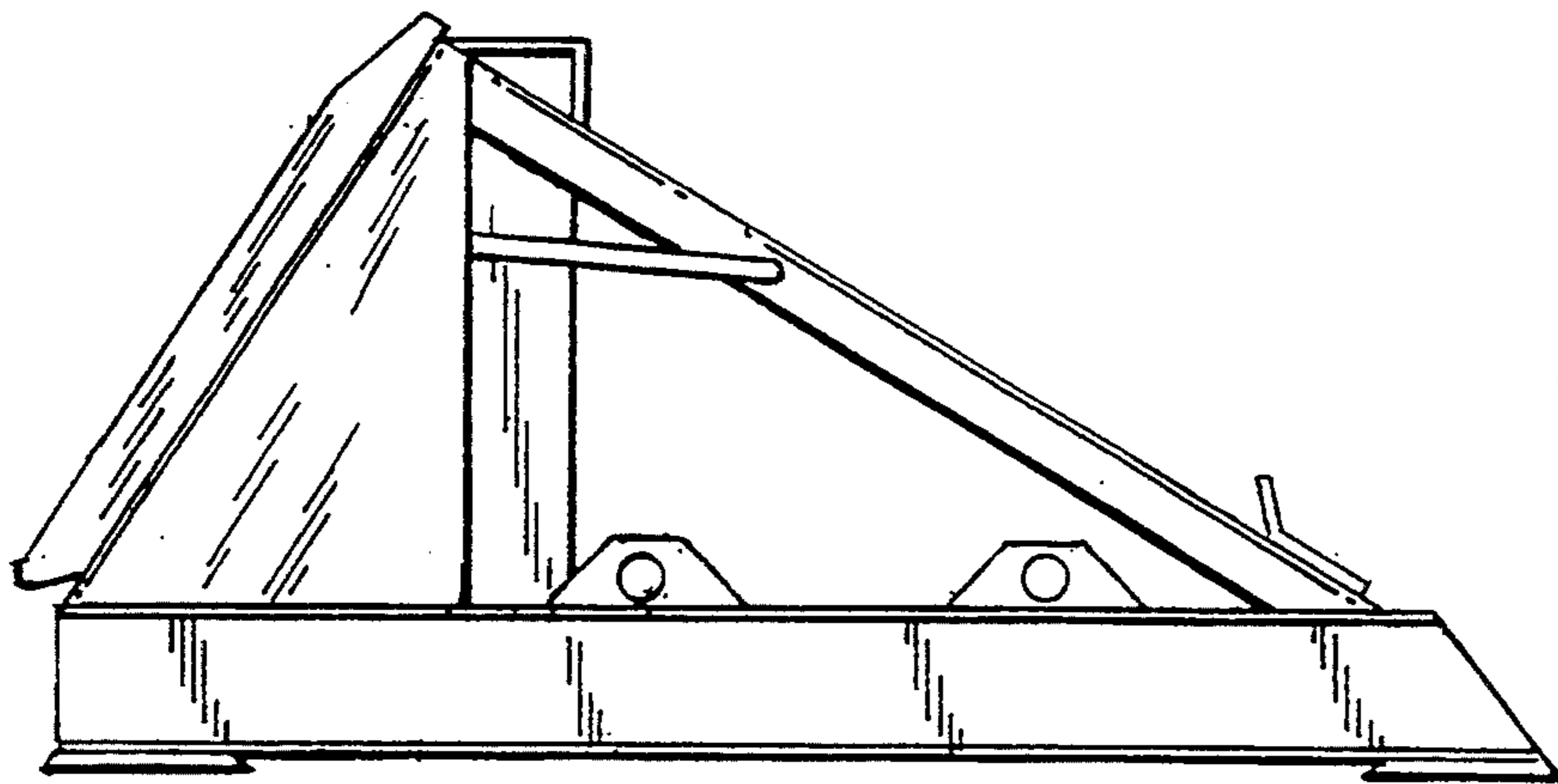


Fig. 17

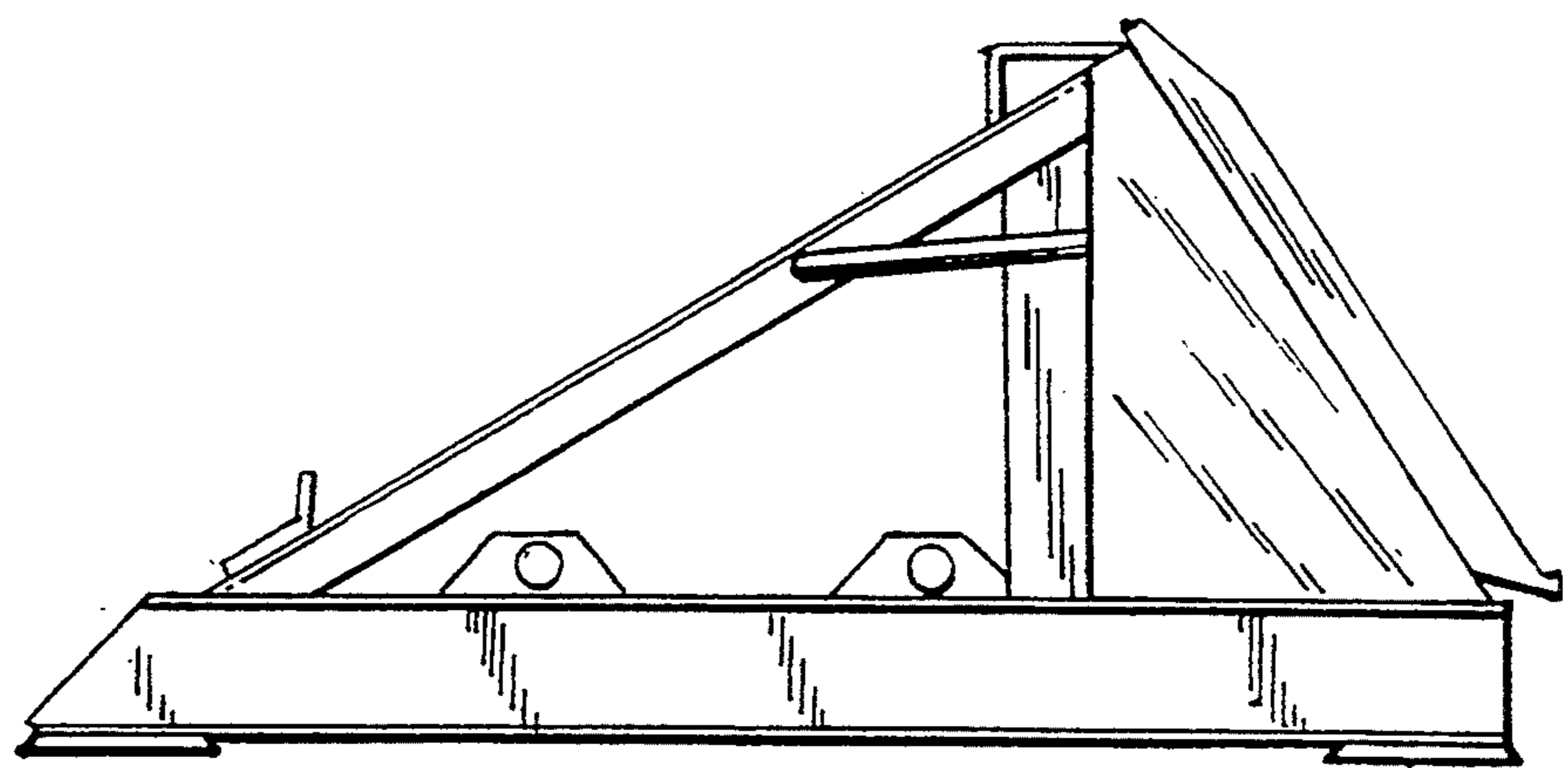


Fig. 18

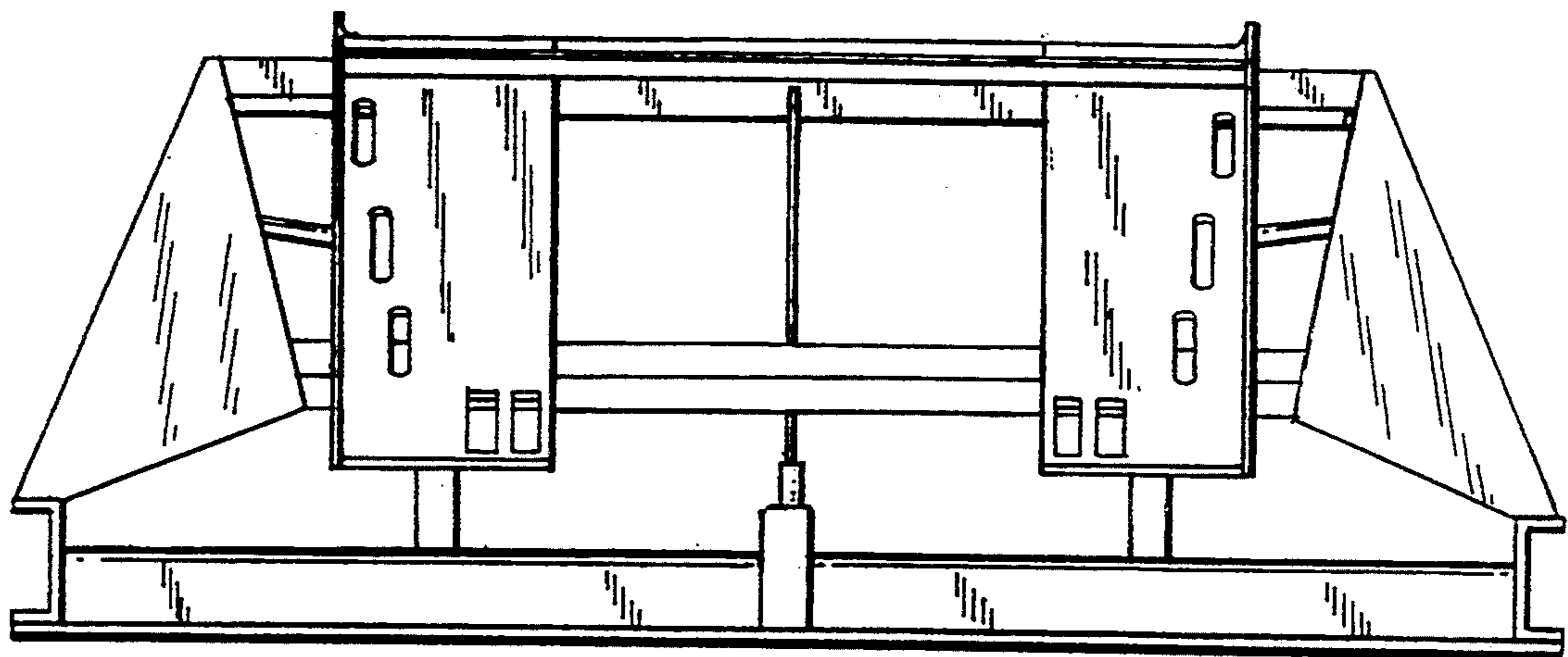


Fig. 19

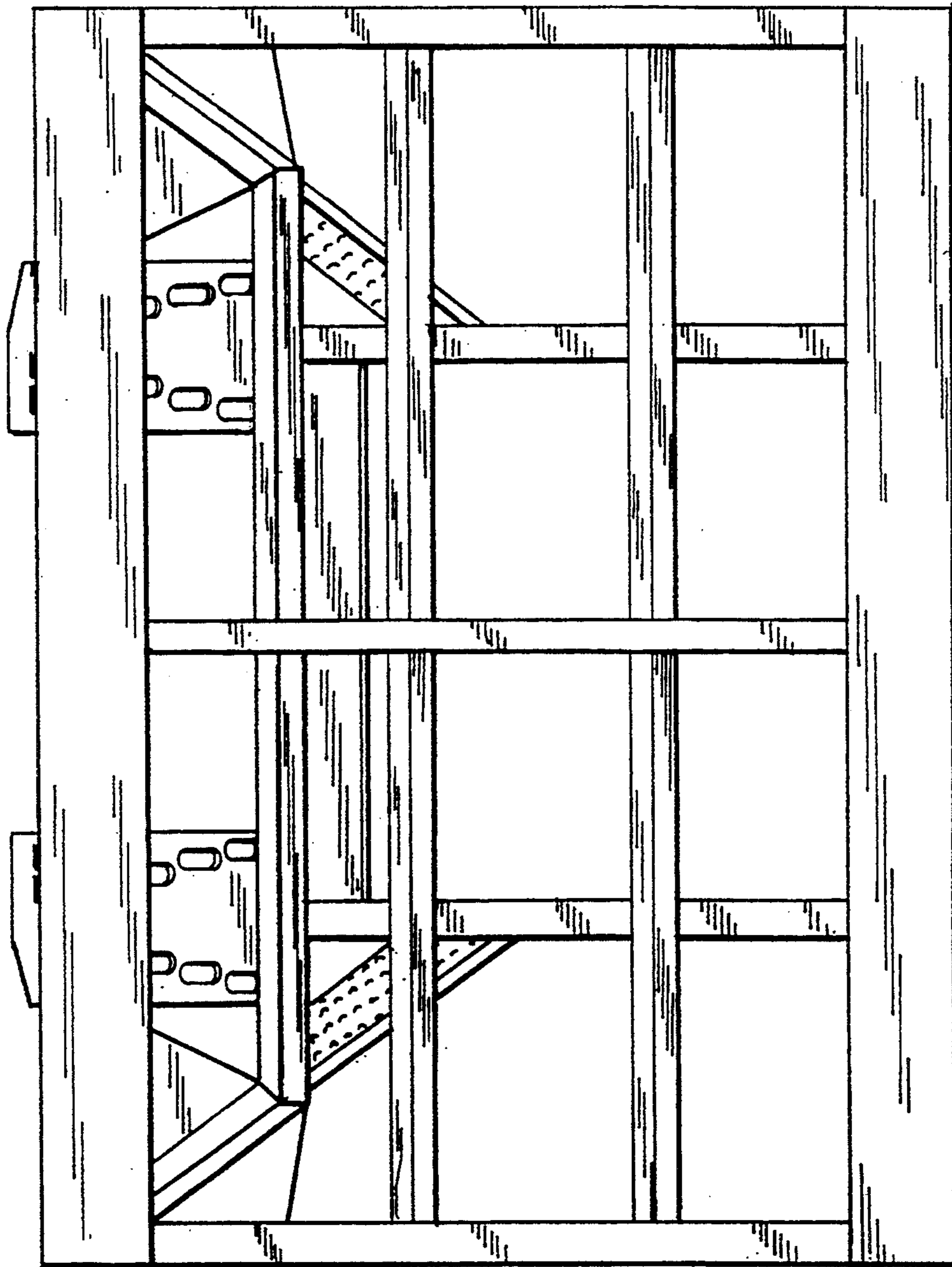


Fig. 20