



US00D358400S

United States Patent [19]

[11] Patent Number: **Des. 358,400**

Gray et al.

[45] Date of Patent: **** May 16, 1995**

[54] **LAWN MOWER**

[75] Inventors: **Robert E. Gray; Joseph P. Schneider,**
both of Conyers, Ga.

[73] Assignee: **The Actava Group Inc., McDonough,**
Ga.

[**] Term: **14 Years**

[21] Appl. No.: **4,372**

[22] Filed: **Feb. 3, 1993**

[52] U.S. Cl. **D15/14**

[58] Field of Search **D15/10, 14-18;**
56/11.8, 13.4, 16.7, 17.5, 202, 255

[56] **References Cited**

U.S. PATENT DOCUMENTS

D. 249,519	9/1978	Haffner et al.	D15/14
D. 276,047	10/1984	Sasaki	D15/14
D. 294,031	2/1988	Hosanuma	D15/14
D. 310,085	8/1990	Uemura	D15/14
4,711,077	12/1987	Kutsukake et al.	56/320.2
4,897,988	2/1990	Schweitz et al.	56/320.2
4,962,635	10/1990	Jones et al.	56/17.4

FOREIGN PATENT DOCUMENTS

3338176 4/1984 Germany 56/11.8

OTHER PUBLICATIONS

Implement & Tractor Cover Feb. 1991 Kubota Lawn Mower.

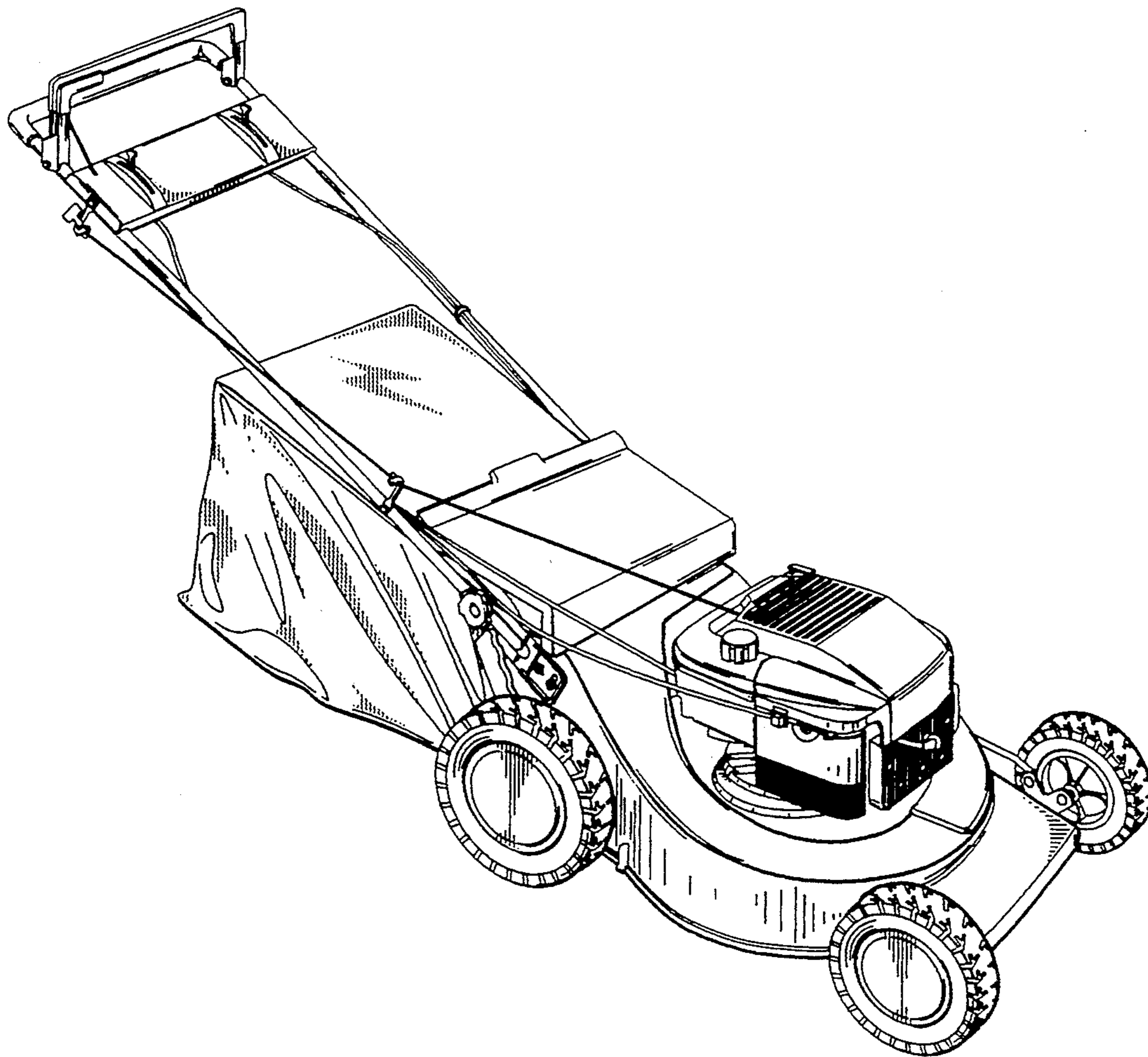
Primary Examiner—Sandra Morris
Attorney, Agent, or Firm—Jones & Askew

[57] **CLAIM**

The ornamental design for a lawn mower, as shown.

DESCRIPTION

FIG. 1 is a front left perspective view of a lawn mower, showing the new design;
FIG. 2 is a left side view thereof;
FIG. 3 is a right side view thereof;
FIG. 4 is a top plan view thereof;
FIG. 5 is a lower plan view thereof;
FIG. 6 is a front view thereof;
FIG. 7 is a rear view thereof; and,
FIG. 8 is a second embodiment of the design shown in FIG. 1, with the rear grass bag removed.



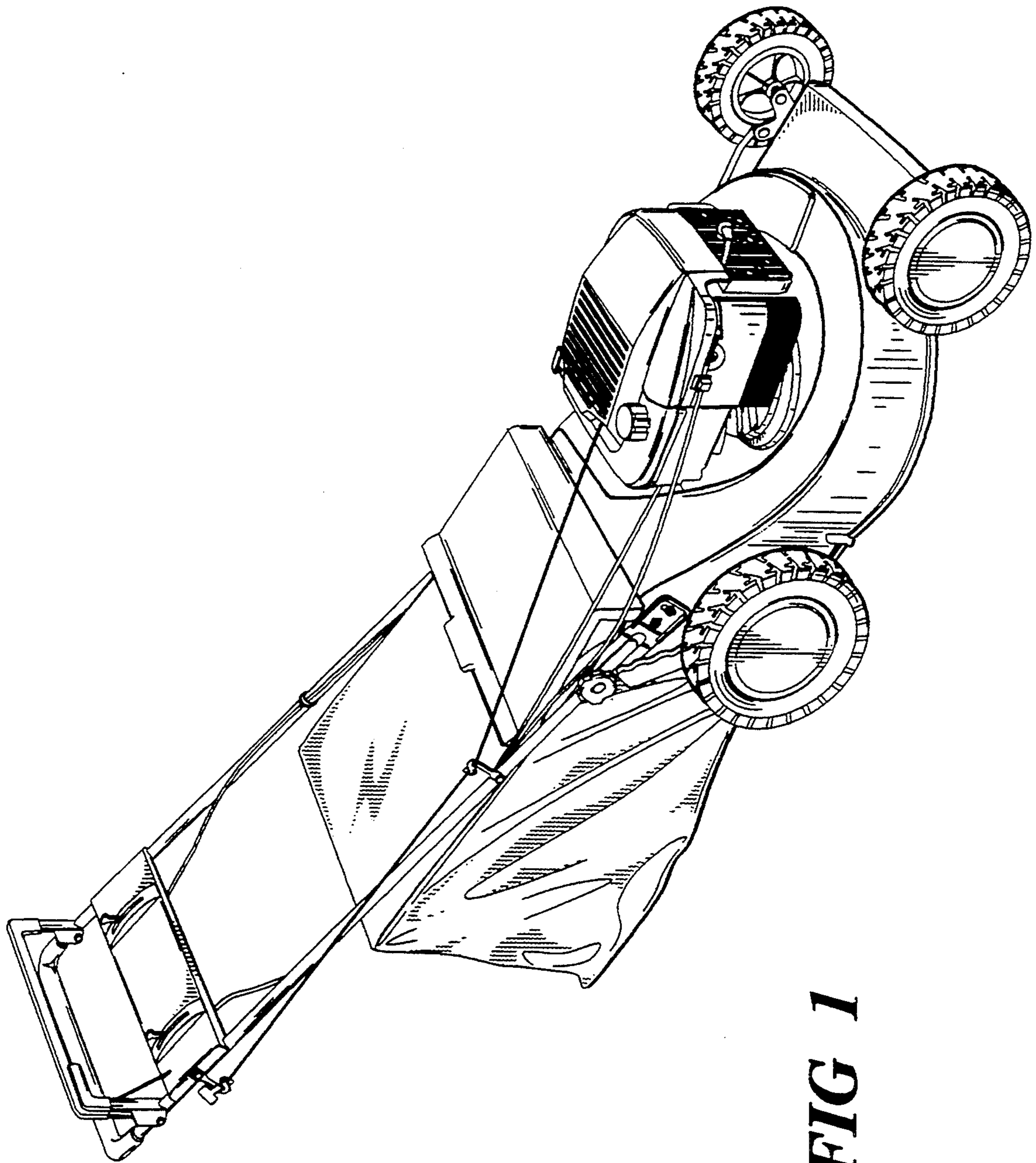


FIG 1

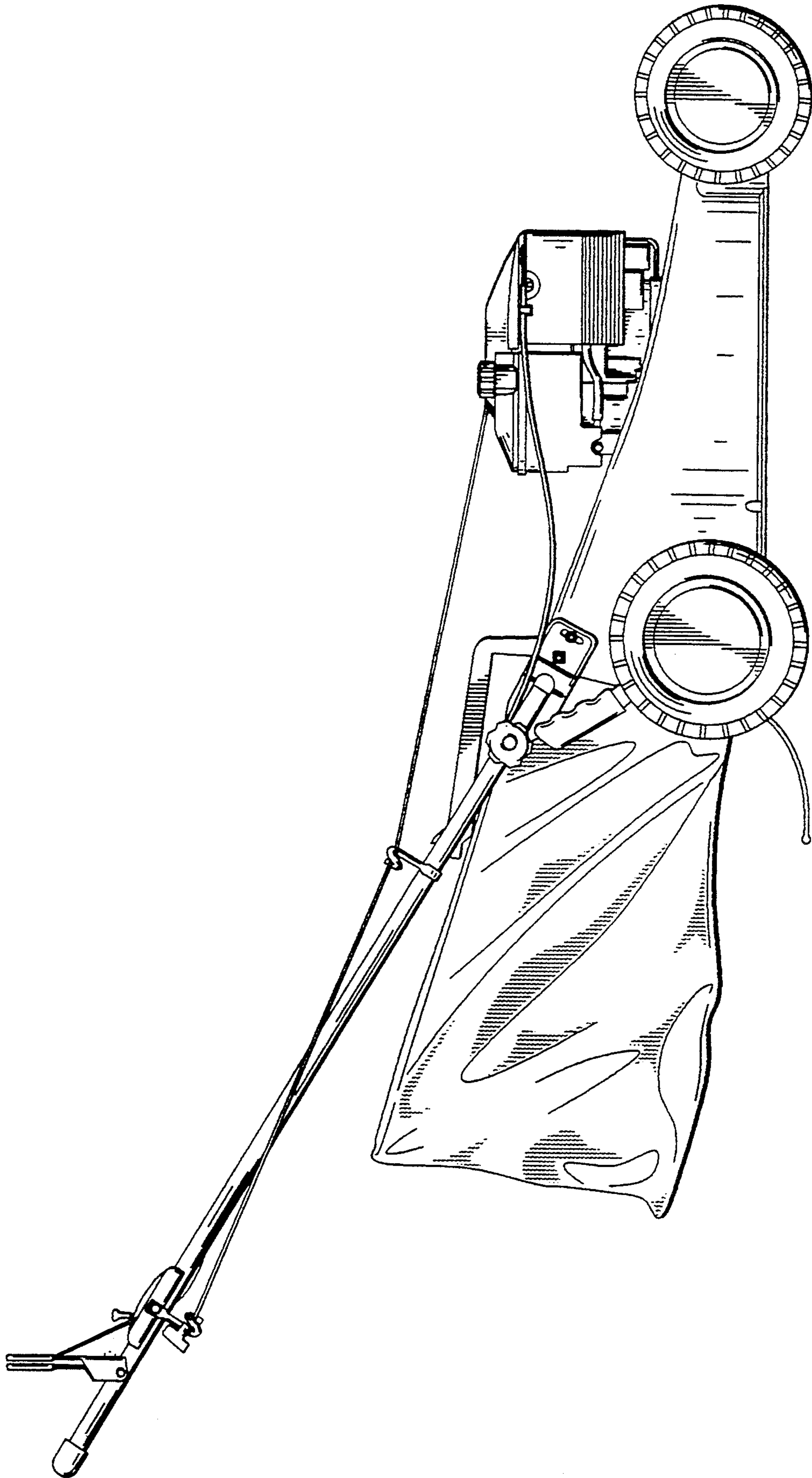


FIG 2

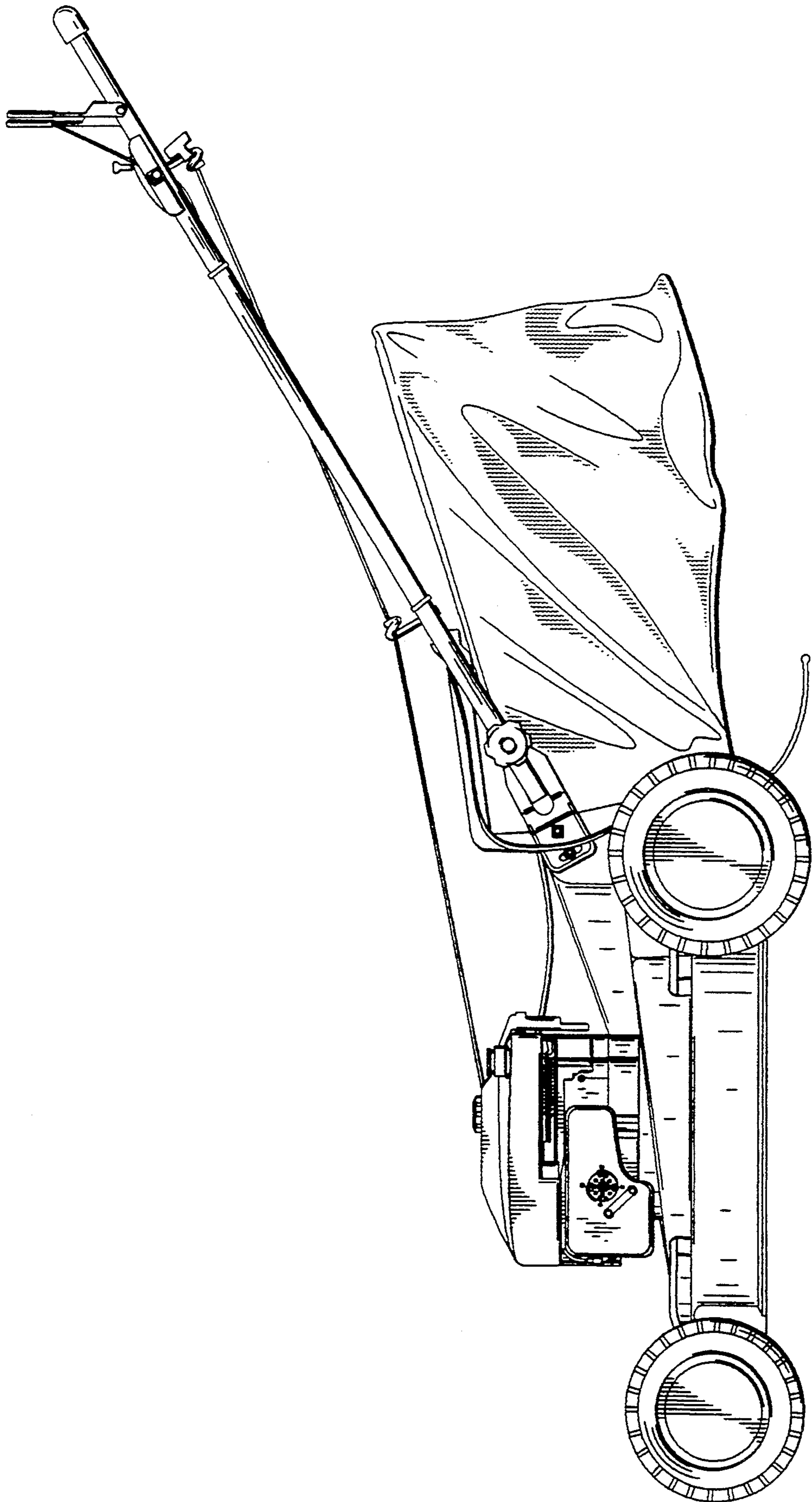


FIG 3

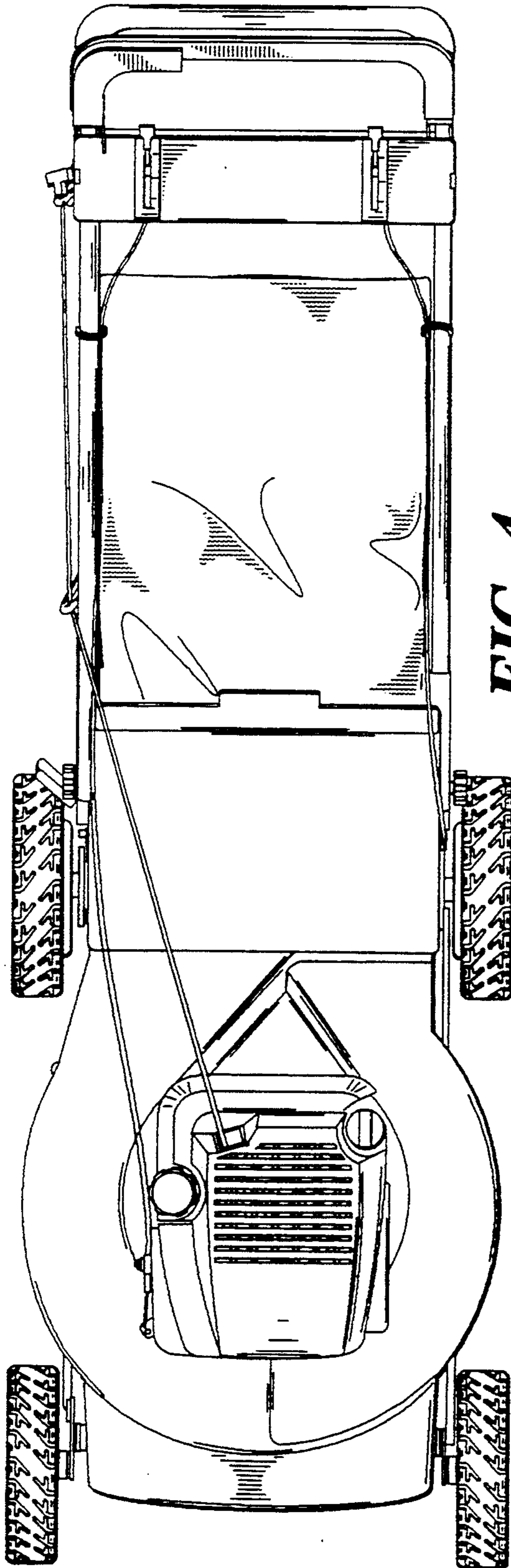


FIG 4

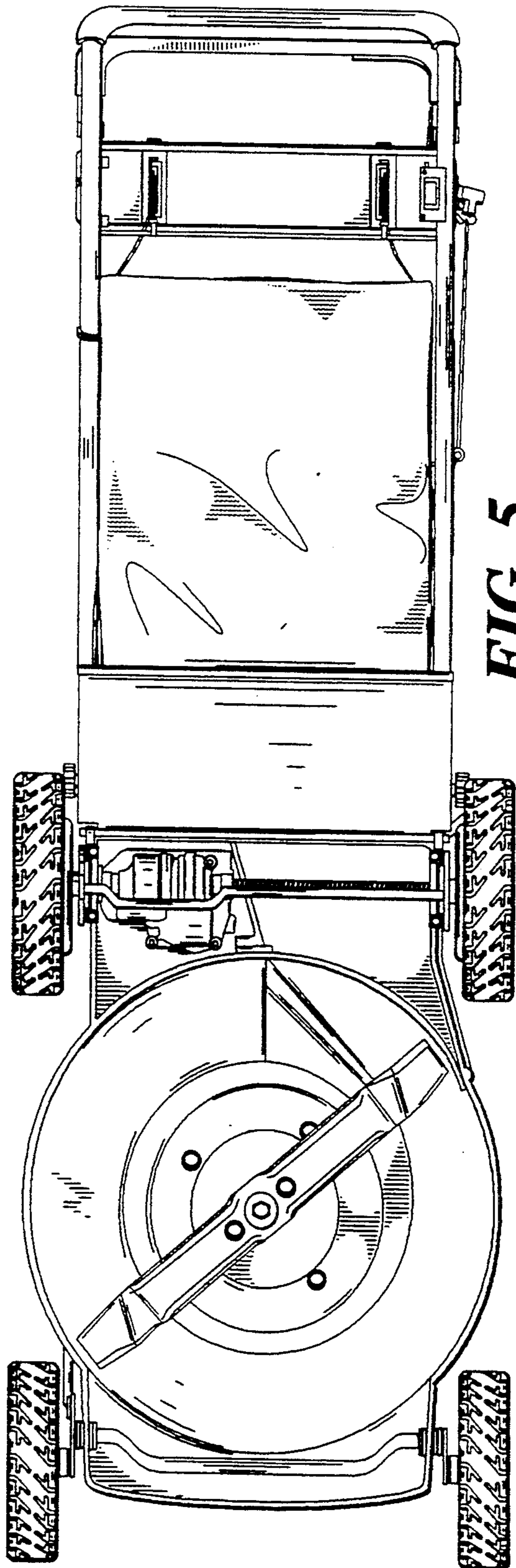


FIG 5

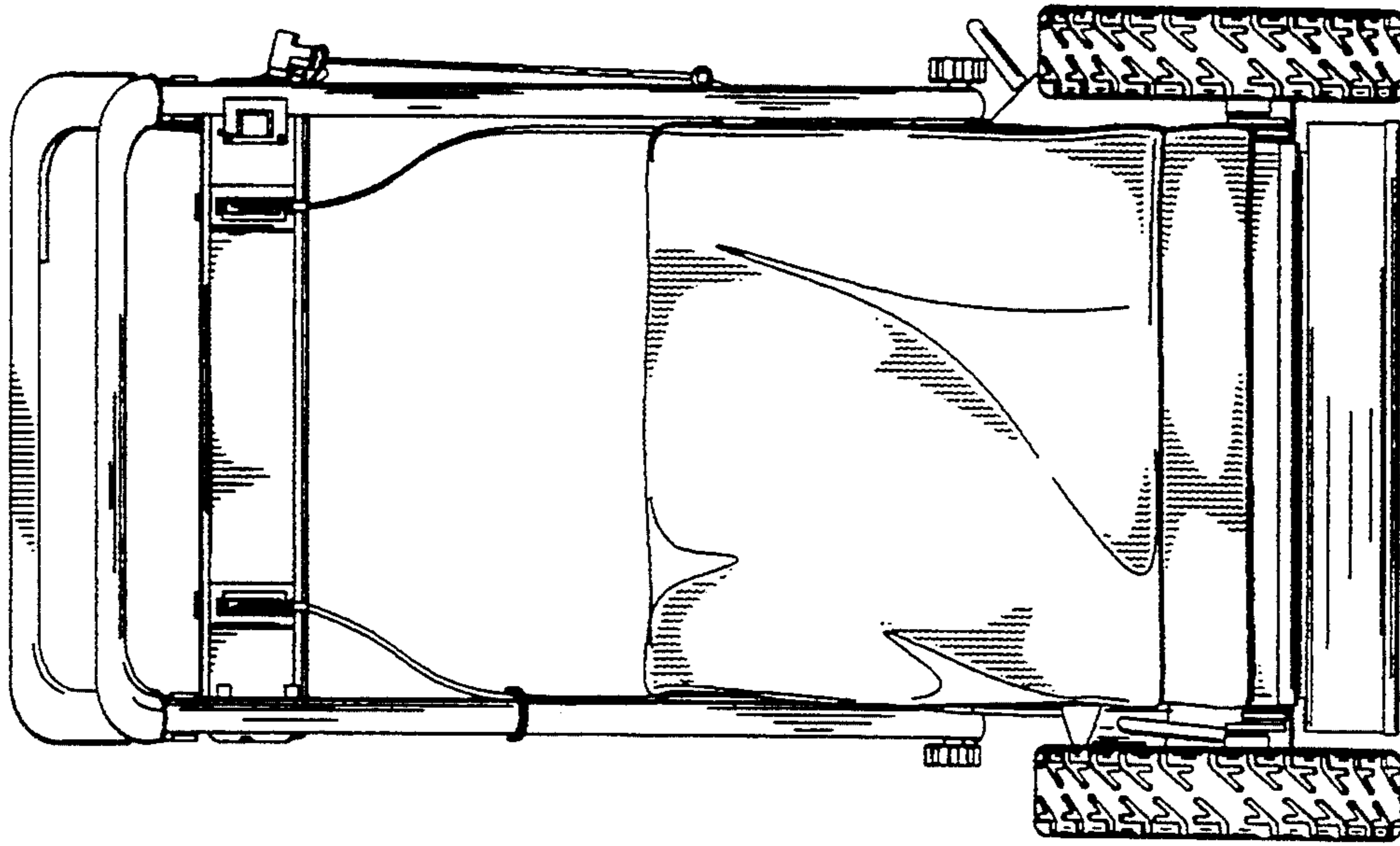


FIG 7

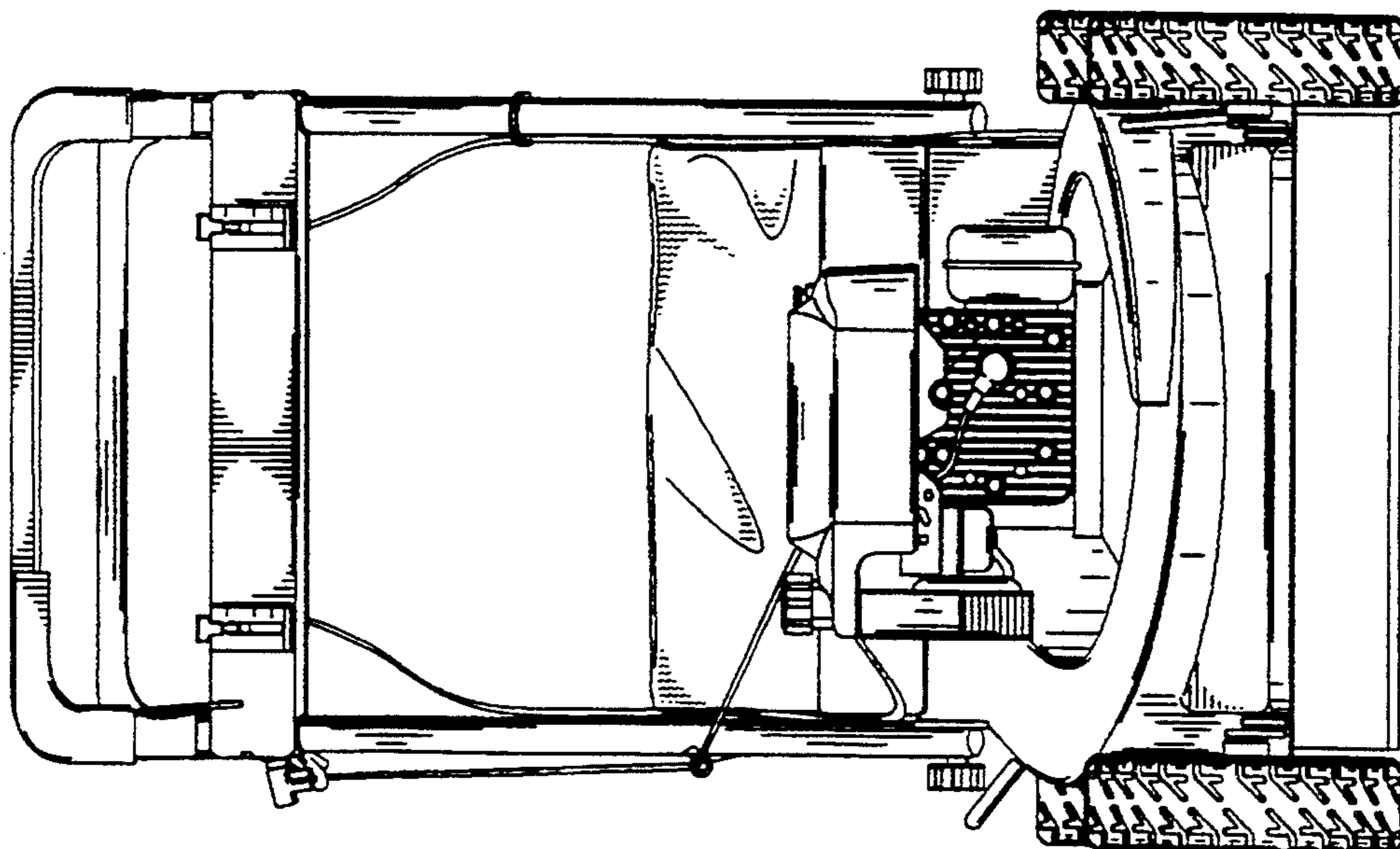


FIG 6

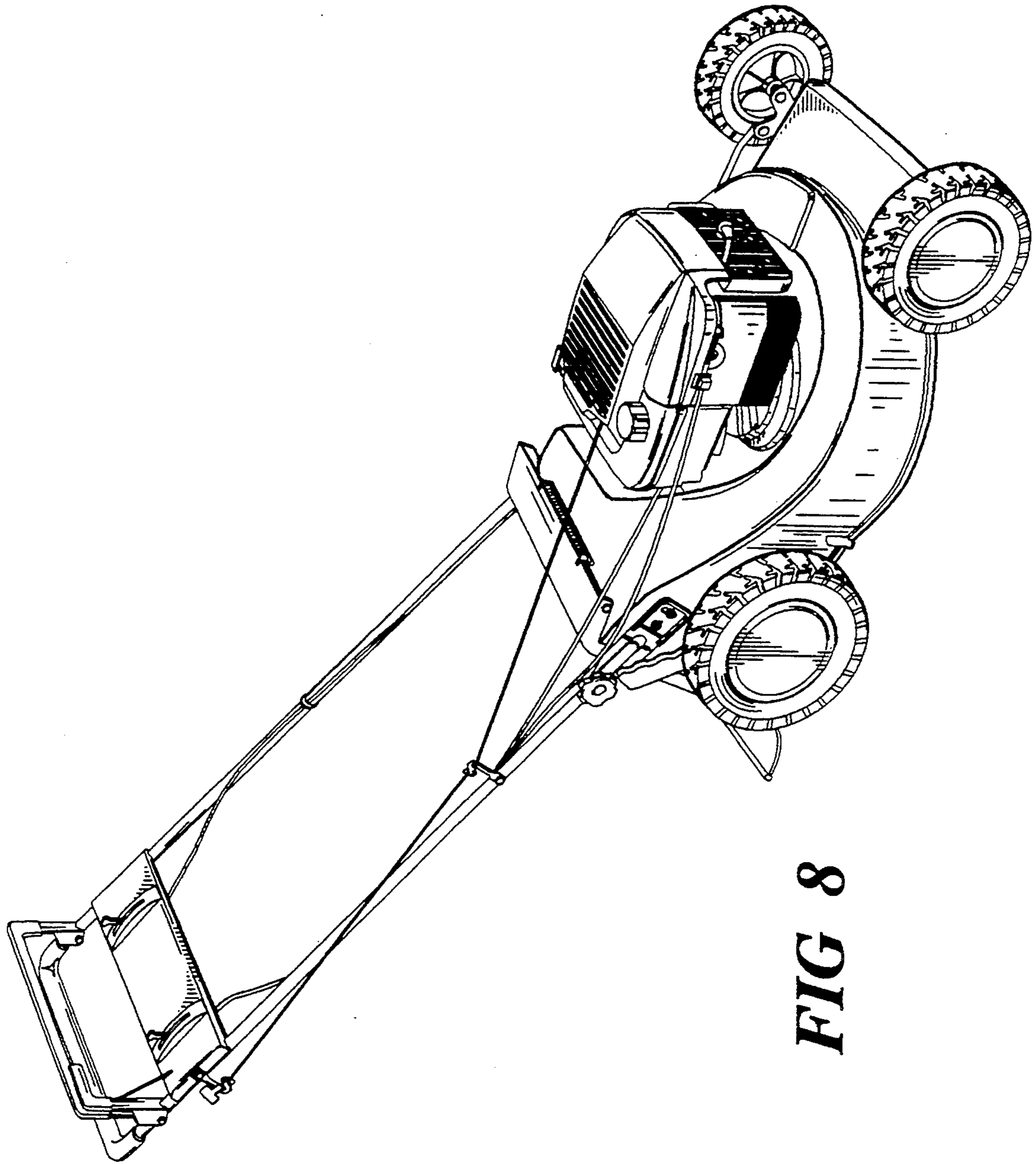


FIG 8