



US00D358399S

# United States Patent [19]

[11] Patent Number: **Des. 358,399**

Tiedeman et al.

[45] Date of Patent: **\*\* May 16, 1995**

## [54] CHIPPER/SHREDDER

[76] Inventors: **David A. Tiedeman**, 130 Weatheridge Dr., Jackson, Tenn. 38301; **Charles S. Henninger**, 42 Sunnyslope Dr., Humboldt, Tenn. 38343

[\*\*] Term: **14 Years**

[21] Appl. No.: **17,648**

[22] Filed: **Jan. 9, 1994**

### Related U.S. Application Data

[63] Continuation-in-part of Ser. No. 2,680, Dec. 16, 1992, abandoned.

[52] U.S. Cl. .... **D15/10**

[58] Field of Search ..... **D15/10-13;**  
241/37.5, 101.7, 186.1-186.5, 282.2

### [56] References Cited

#### U.S. PATENT DOCUMENTS

D. 234,815	4/1975	Mackissic	.....	D15/10
D. 307,433	4/1990	Payack et al.	.....	D15/10
3,817,462	6/1974	Hamlin	.....	241/101.7
3,907,216	9/1975	Mackissie et al.	.....	241/152 A
4,824,034	4/1989	Baker	.....	241/101.2
4,826,331	5/1989	Baker	.....	384/145
4,834,302	5/1989	Baker	.....	241/92
4,860,961	8/1989	Hilgarth	.....	D15/10
4,984,747	1/1991	Lechner	.....	241/101.7
5,018,672	5/1991	Peck et al.	.....	241/37.5
5,062,329	11/1991	Connolly et al.	.....	86/488
5,156,345	10/1992	Baker	.....	241/101.7
5,199,653	4/1993	Durrant et al.	.....	241/101.7

#### FOREIGN PATENT DOCUMENTS

3522615 1/1987 Germany ..... 241/101.7

#### OTHER PUBLICATIONS

Tomahawk Chipper/Shredder.

Tornado Products System 5C.

*Primary Examiner*—Prabhakar G. Deshmukh

*Assistant Examiner*—Sandra Morris

*Attorney, Agent, or Firm*—Cushman, Darby & Cushman

### [57] CLAIM

The ornamental design for a chipper/shredder, as shown and described.

### DESCRIPTION

FIG. 1 is an end elevational view of a chipper/shredder showing our new design;

FIG. 2 is an opposite end elevational view of the chipper/shredder shown in FIG. 1;

FIG. 3 is a side elevational view of the chipper/shredder shown in FIG. 1;

FIG. 4 is an opposite side elevational view of the chipper/shredder shown in FIG. 3;

FIG. 5 is a side elevational view similar to FIG. 3, showing an alternative embodiment for the chipper chute guard;

FIG. 6 is a top plan view of the chipper/shredder shown in FIG. 1;

FIG. 7 is a bottom plan view of the chipper/shredder shown in FIG. 6;

FIG. 8 is a top plan view of a chipper/shredder showing an alternative embodiment for the hopper;

FIG. 9 is a bottom plan view of the chipper/shredder shown in FIG. 8;

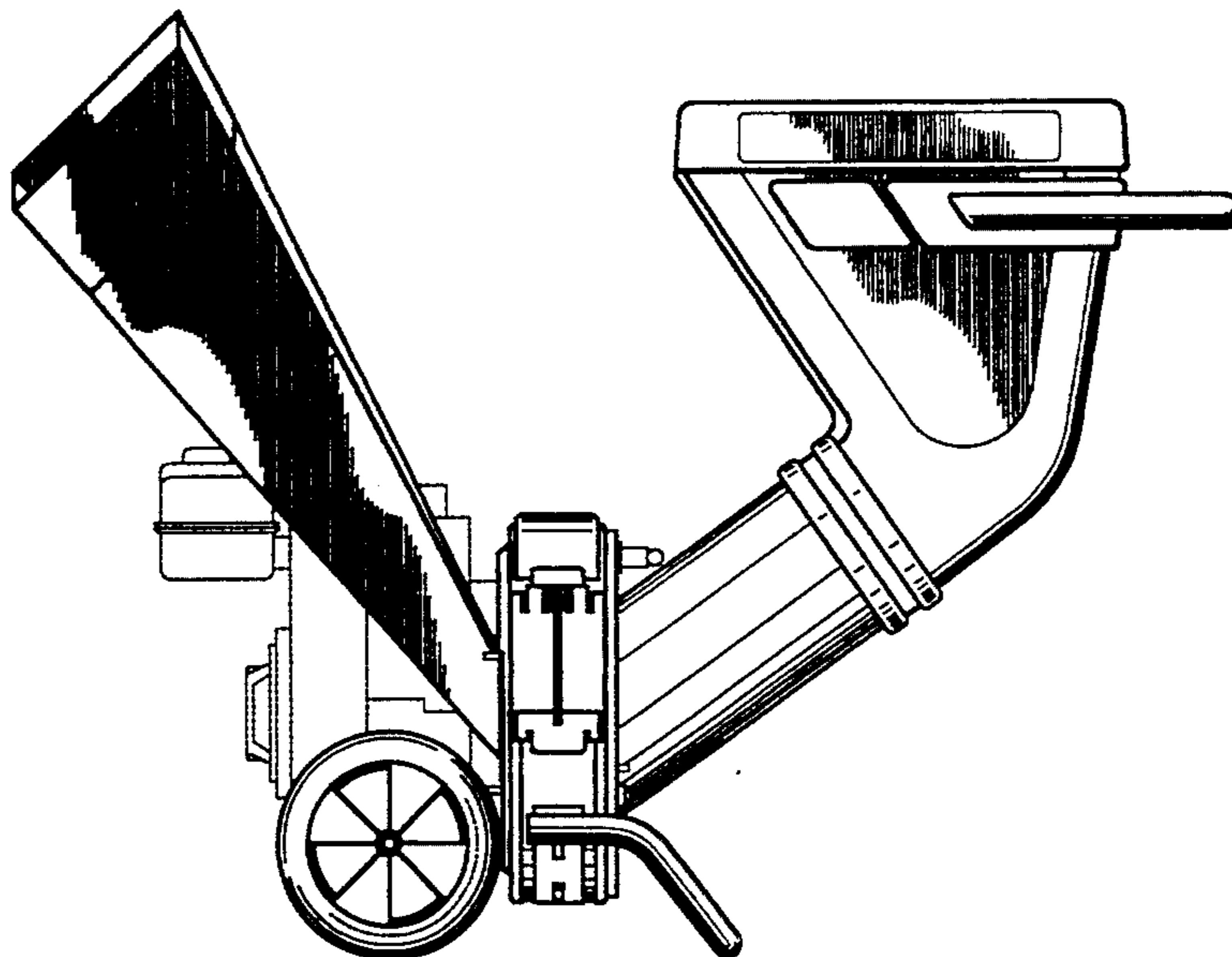
FIG. 10 is a side elevational view of the chipper/shredder shown in FIG. 8;

FIG. 11 is an opposite side elevational view of the chipper/shredder shown in FIG. 10;

FIG. 12 is an end elevational view of the chipper/shredder shown in FIG. 11; and,

FIG. 13 is an opposite end elevational view of the chipper/shredder shown in FIG. 12.

The broken line illustration of an engine is for illustrative purposes only and forms no part of the claimed design.



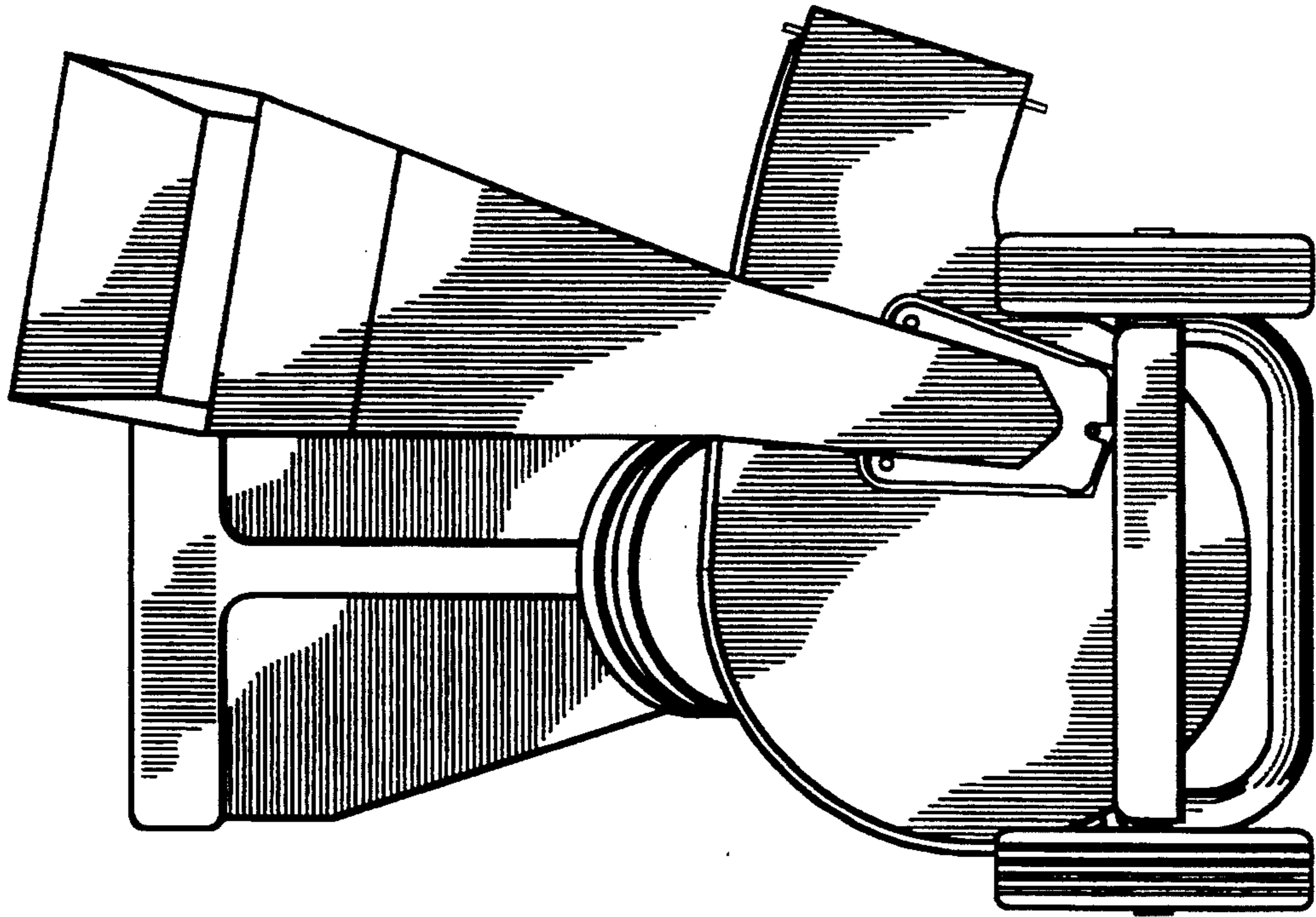


Fig. 1

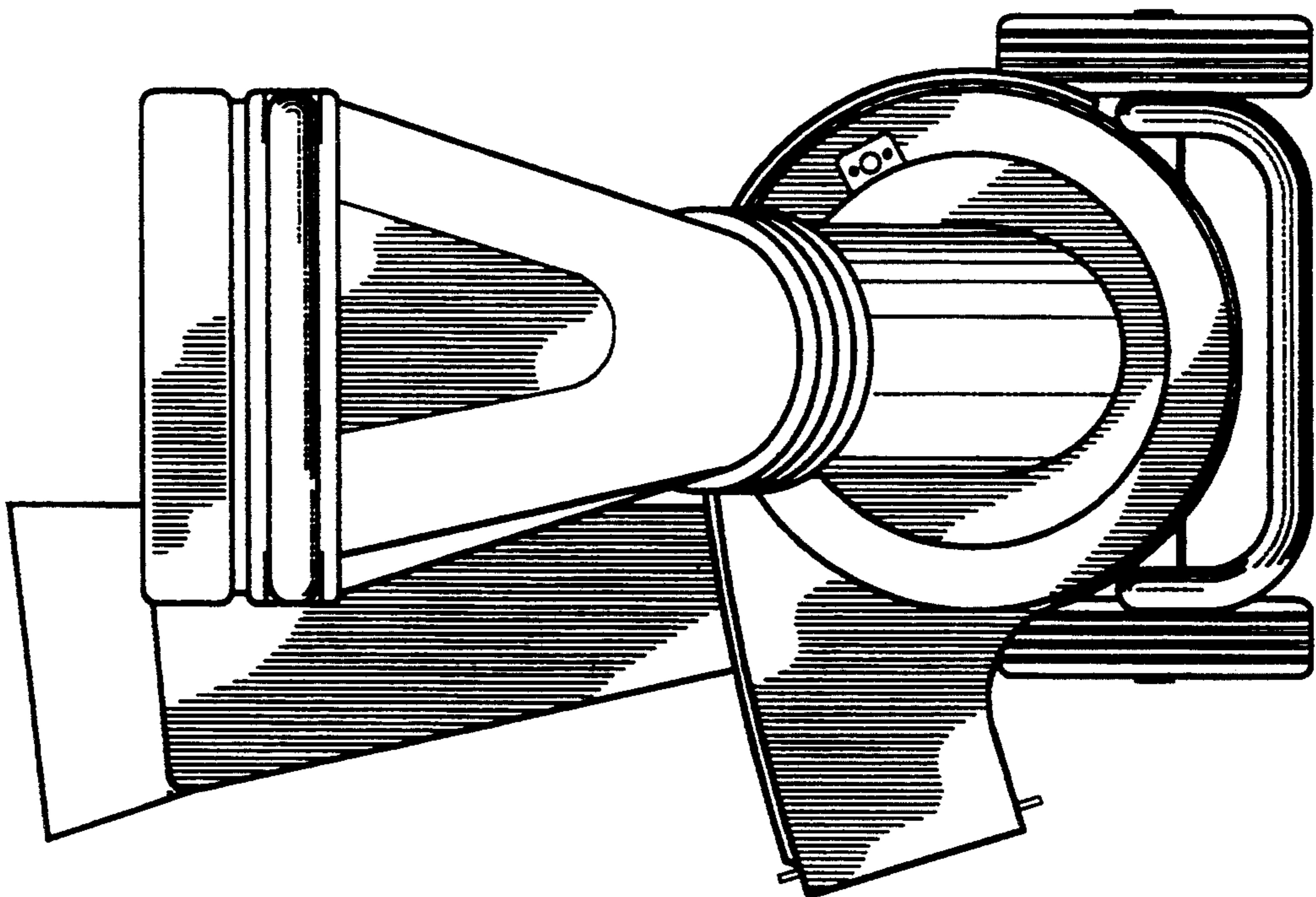


Fig. 2

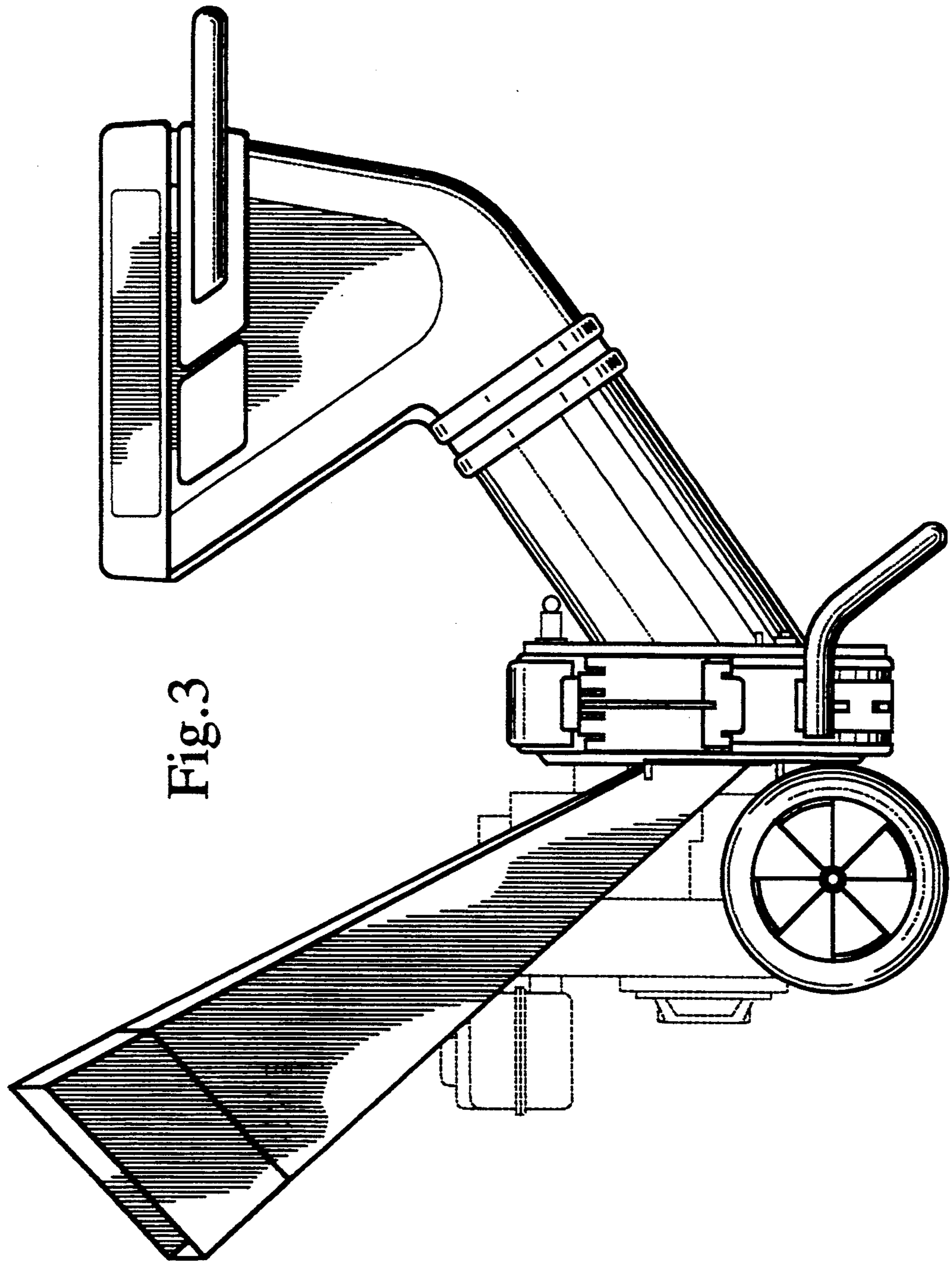


Fig. 3

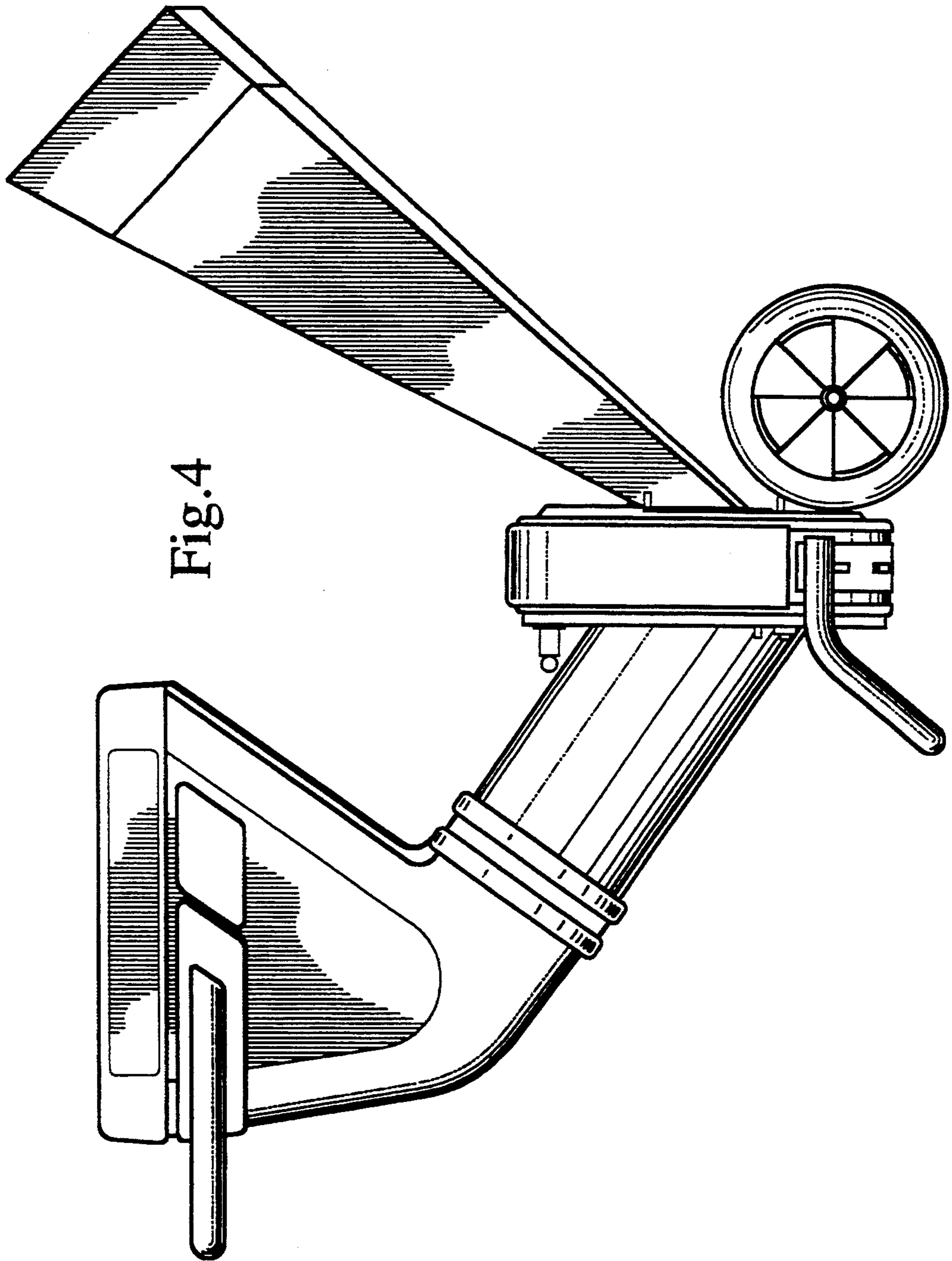


Fig. 4

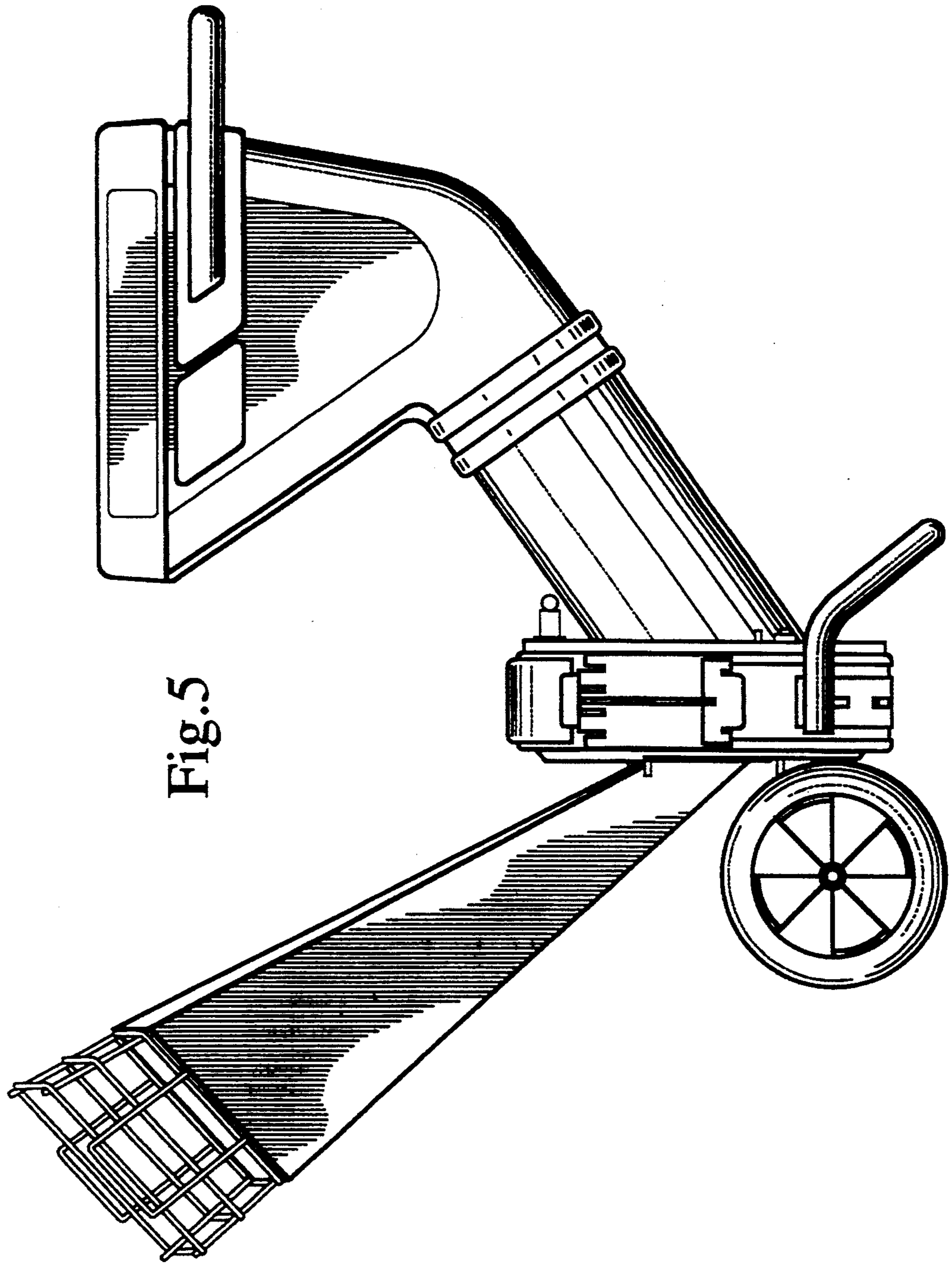


Fig. 5

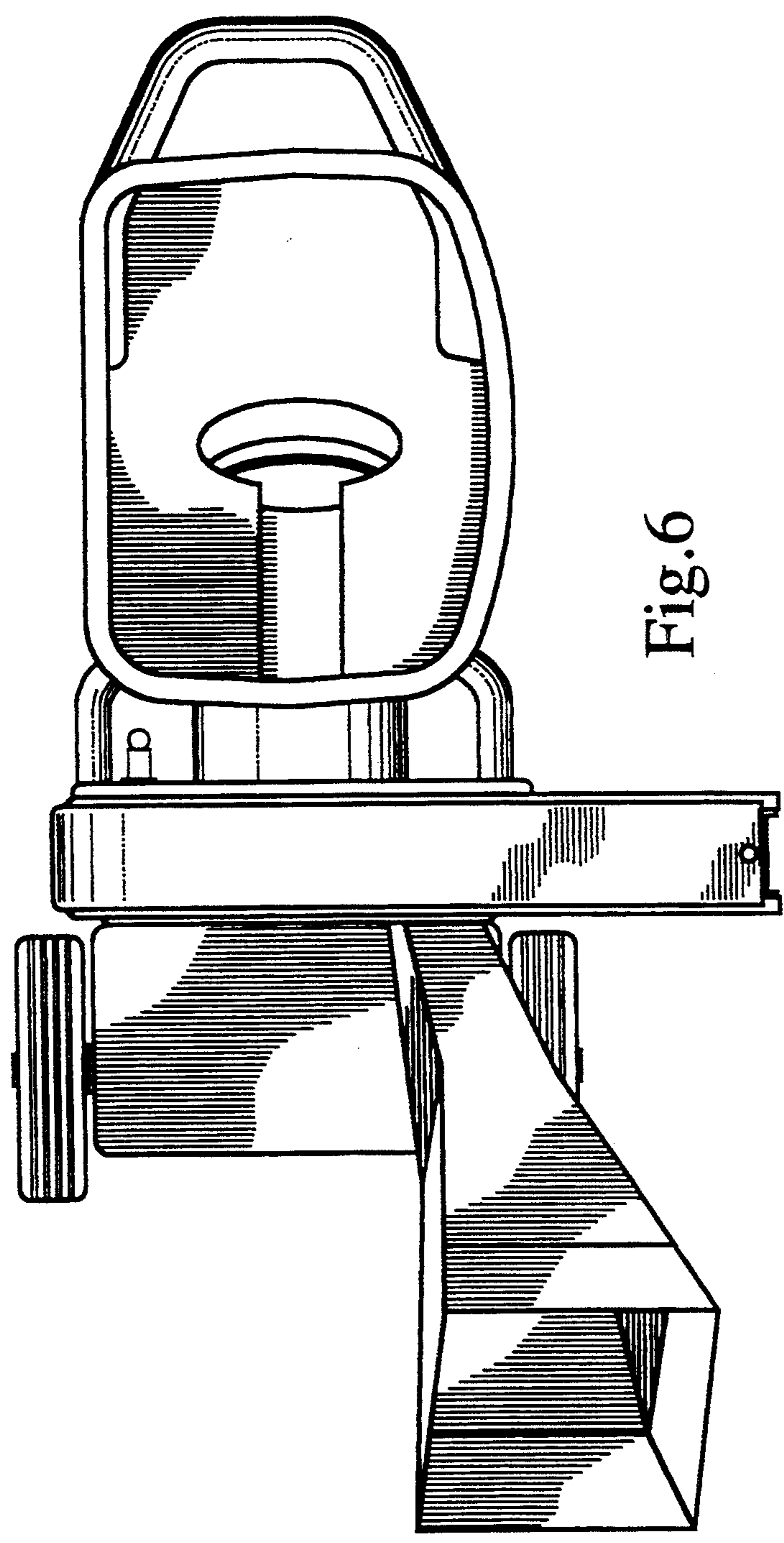
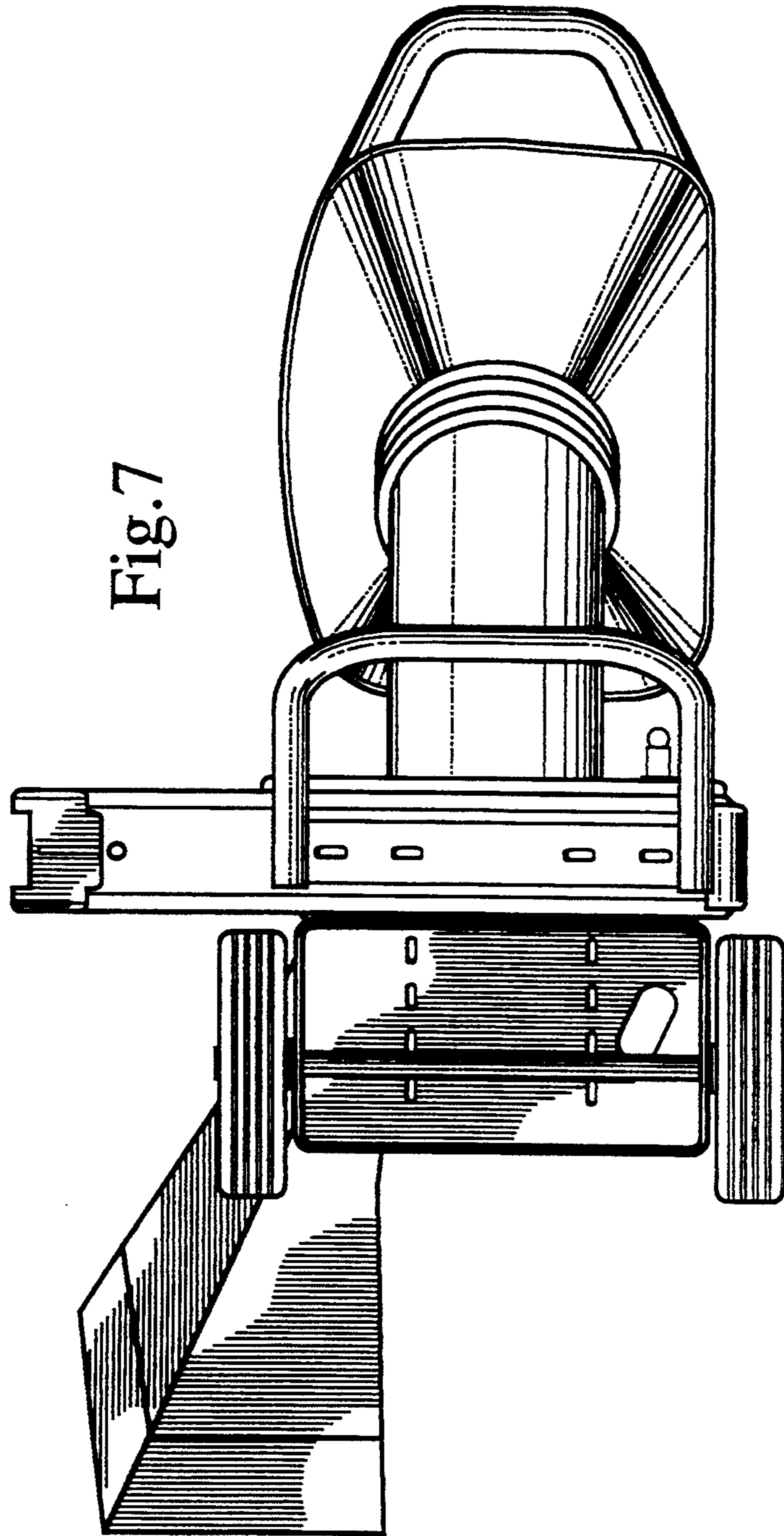


Fig. 6

Fig. 7



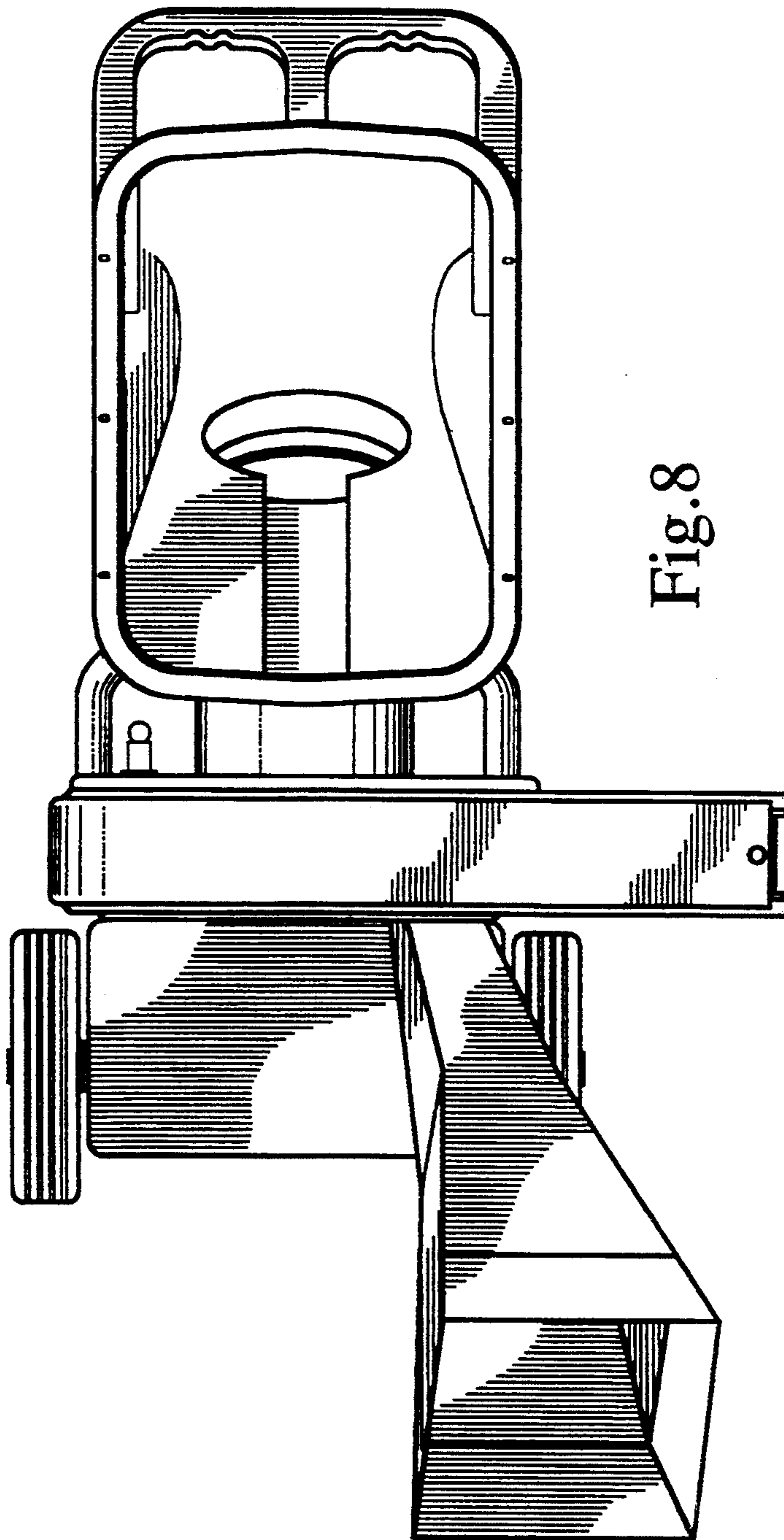


Fig. 8



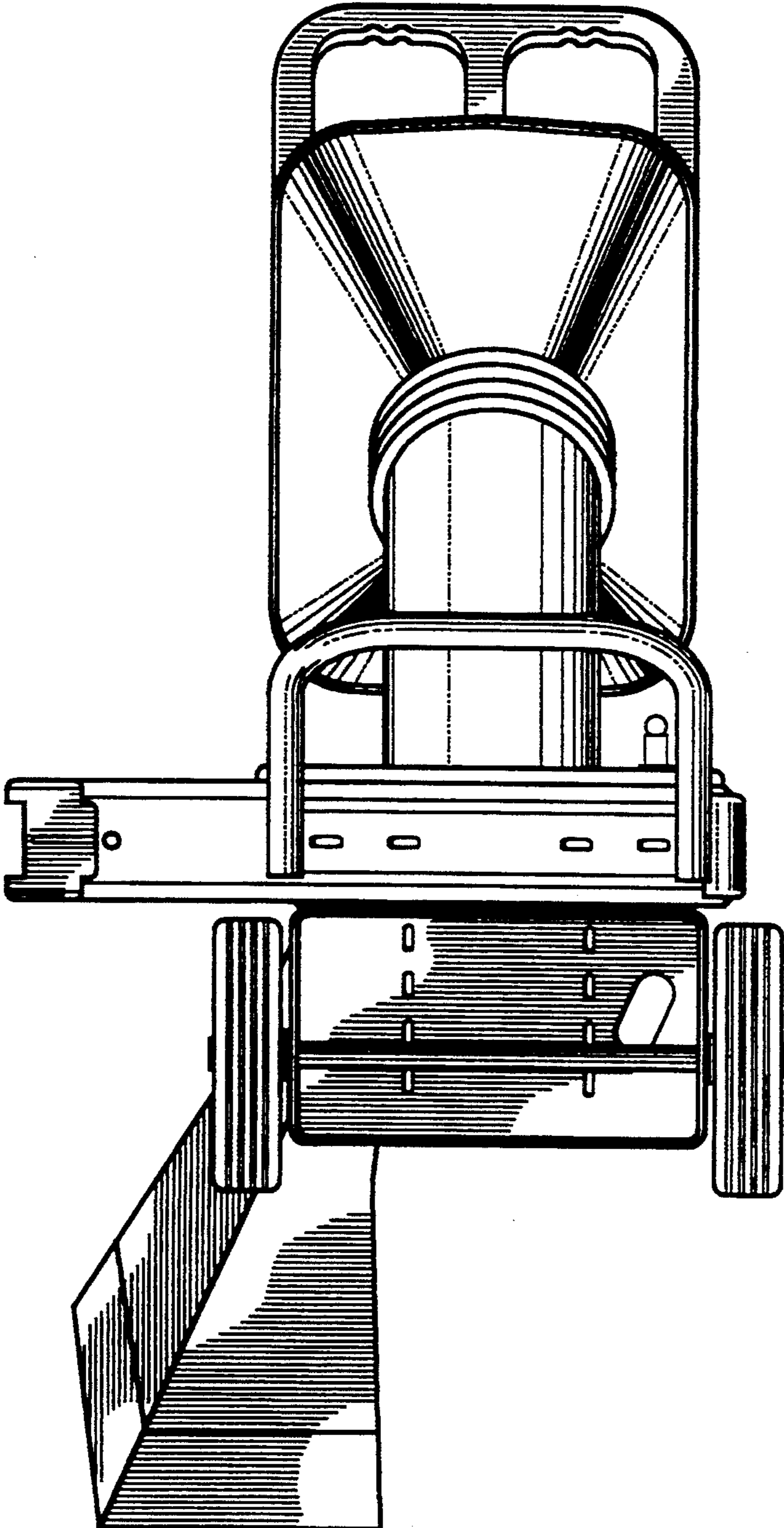


Fig. 9

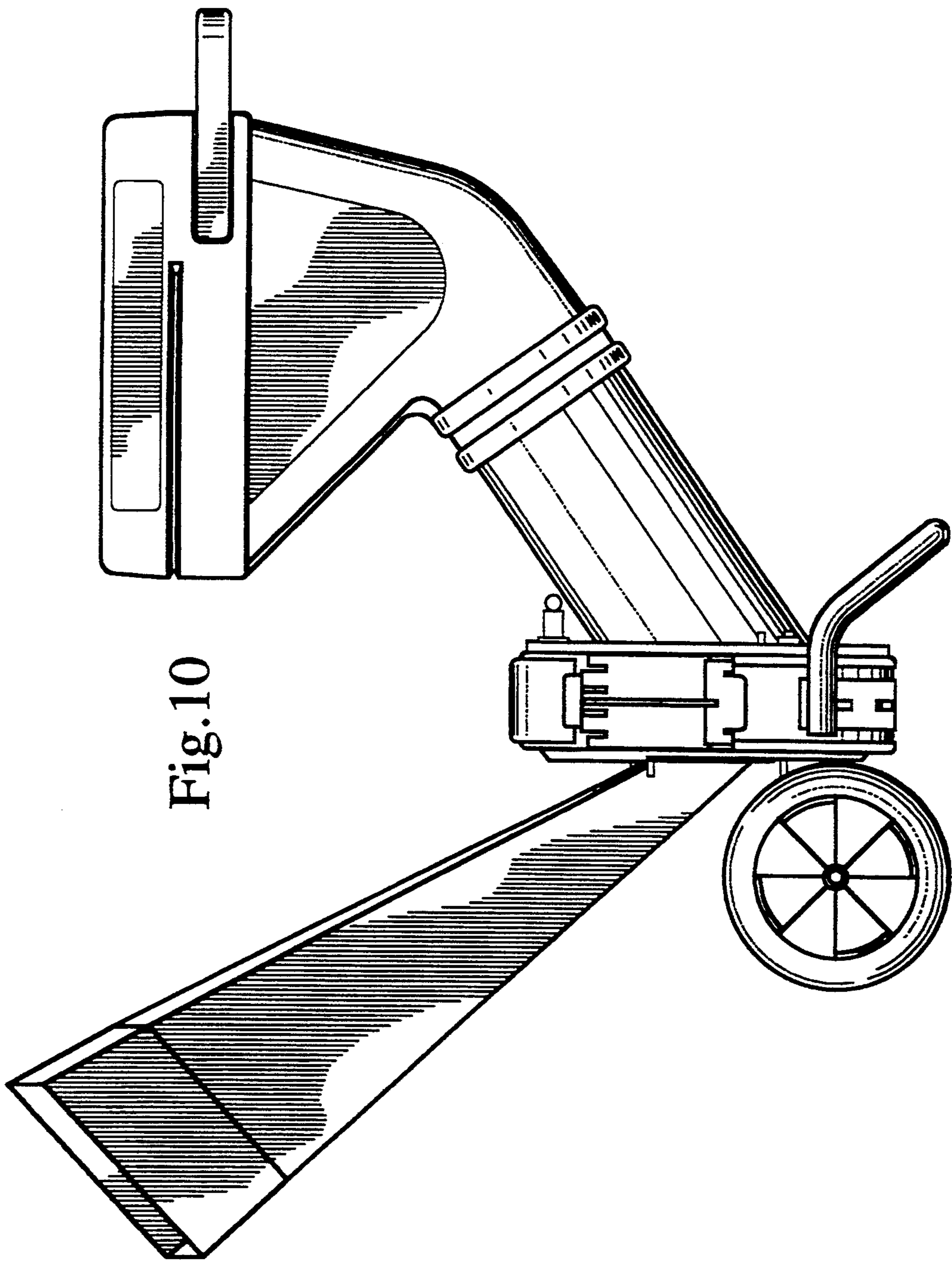


Fig.10

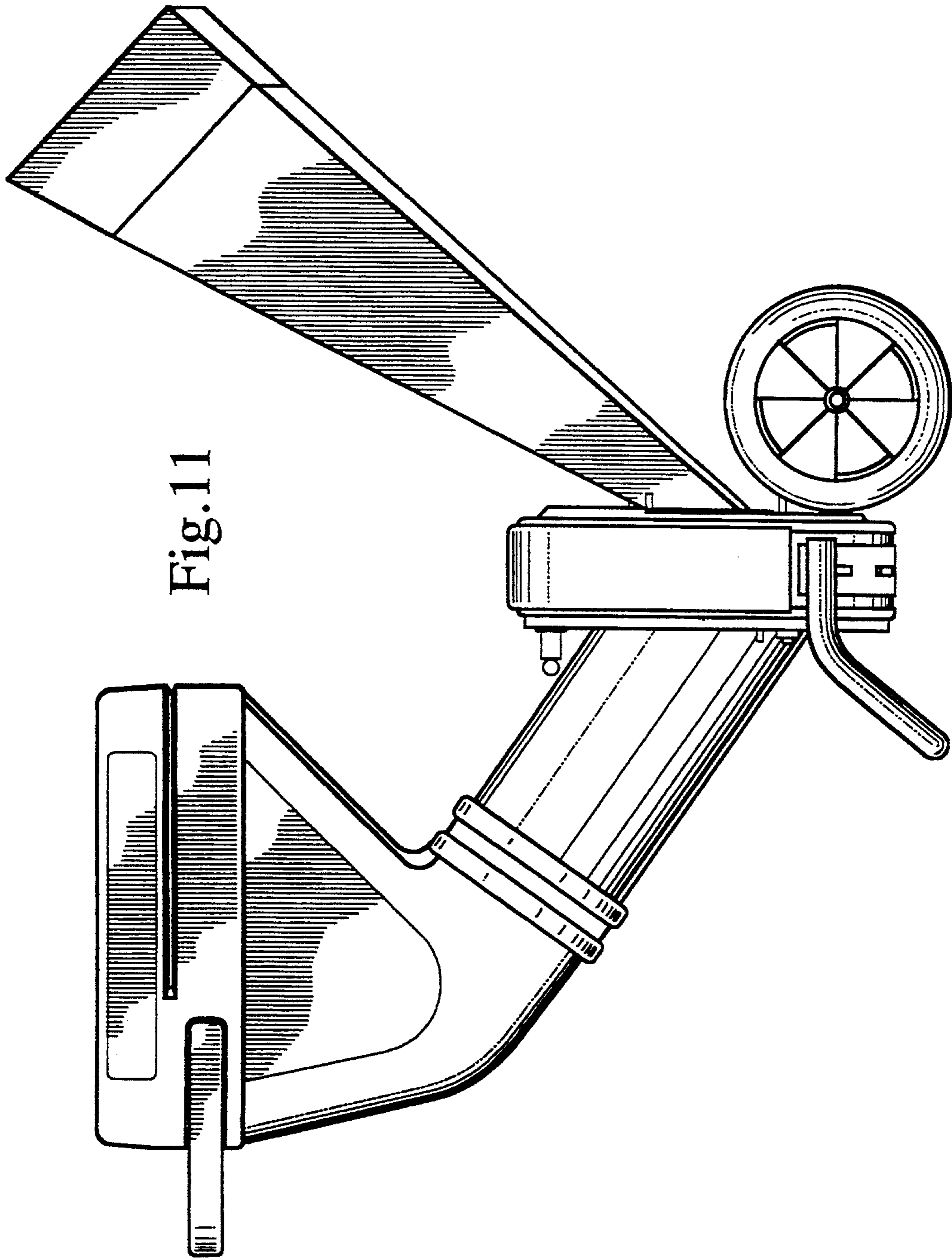


Fig. 11

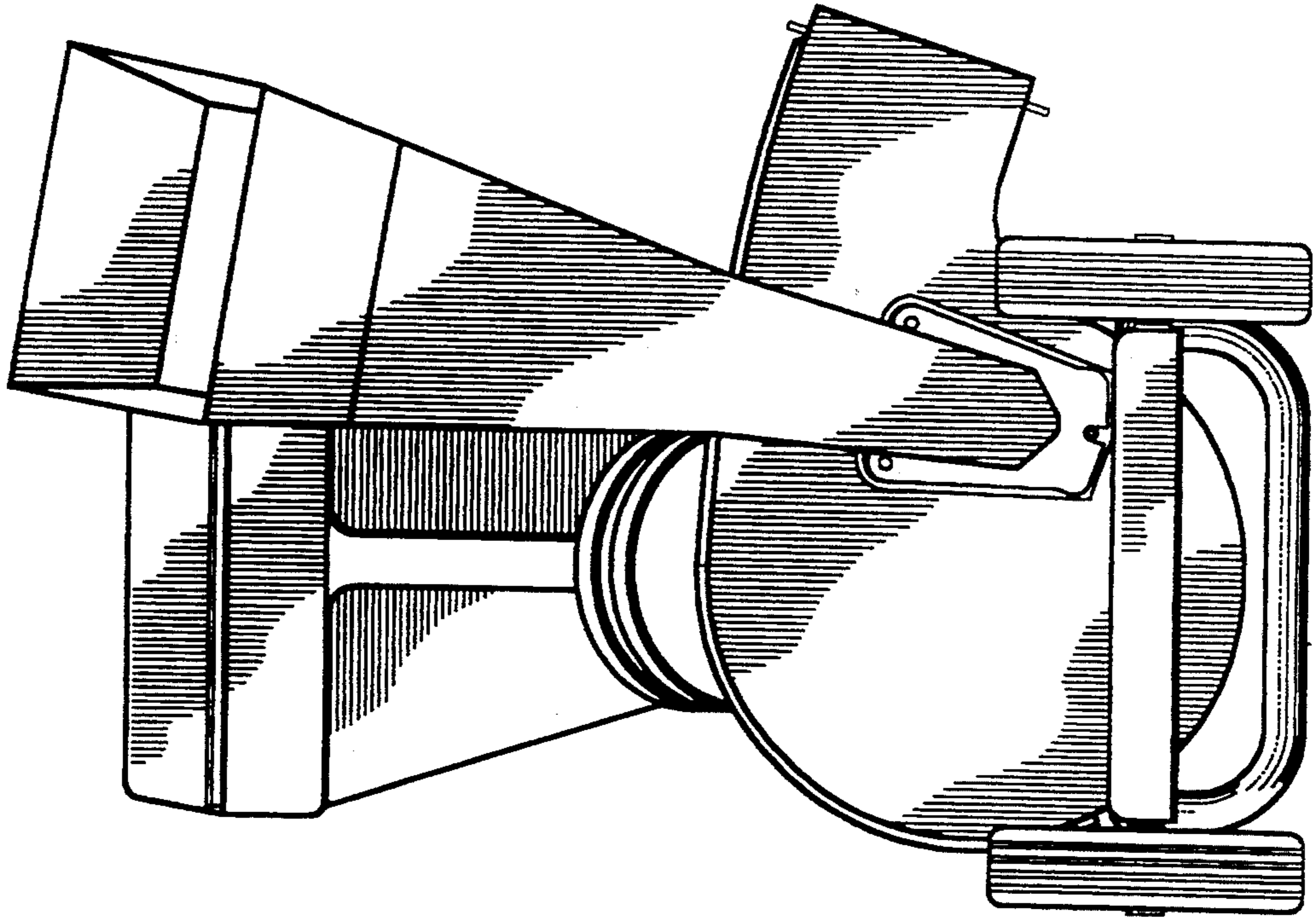


Fig.13

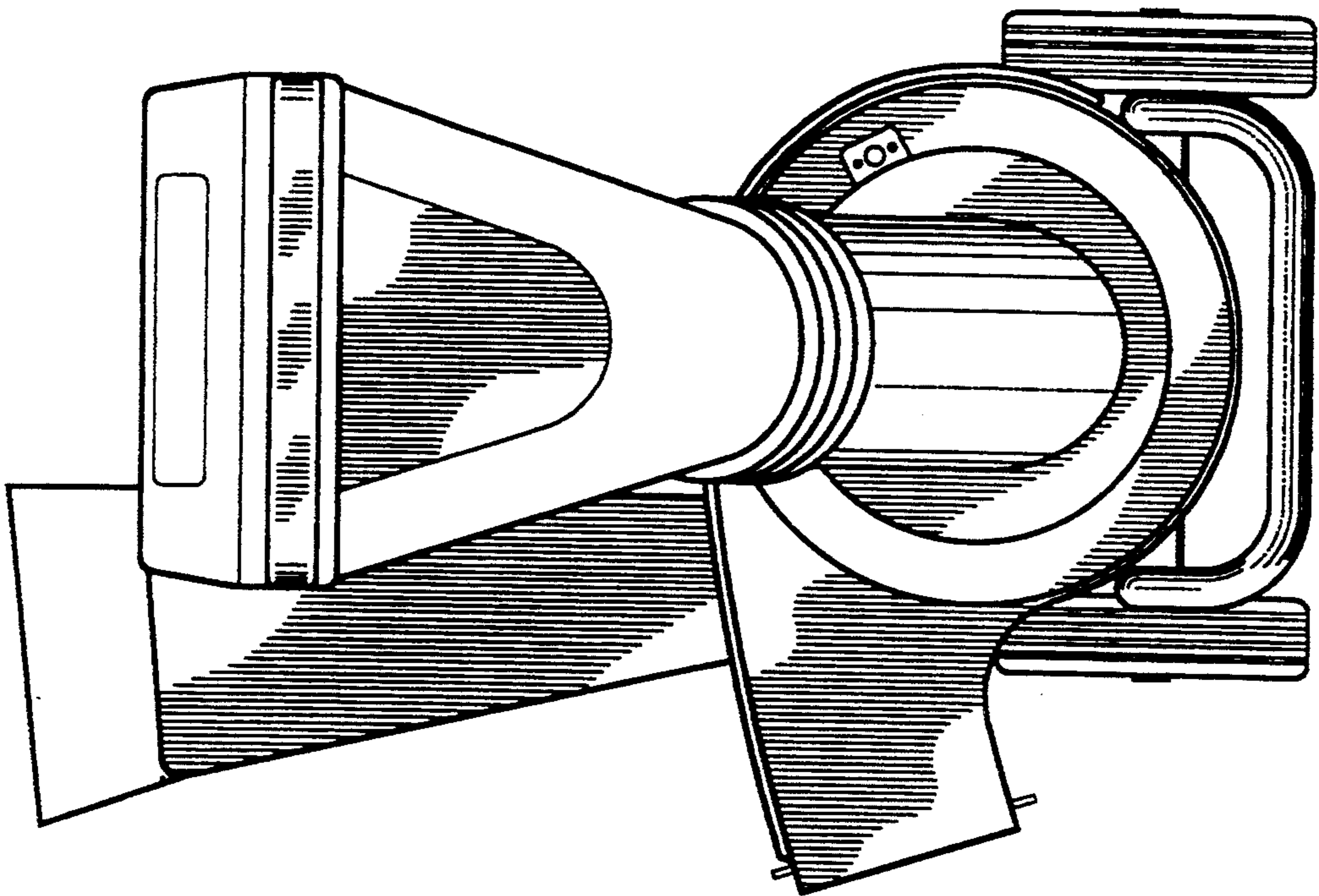


Fig.12