



US00D358398S

# United States Patent [19]

[11] Patent Number: **Des. 358,398**

Persson

[45] Date of Patent: **\*\* May 16, 1995**

[54] PUMP

[75] Inventor: **Anders Persson**, Eskilstuna, Sweden

[73] Assignee: **Nike Hydraulics AB**, Eskilstuna, Sweden

[\*\*] Term: **14 Years**

[21] Appl. No.: **17,399**

[22] Filed: **Jan. 12, 1994**

[30] **Foreign Application Priority Data**

Jul. 12, 1993 [SE] Sweden ..... 93-1593

[52] U.S. Cl. .... **D15/7**

[58] Field of Search ..... D15/5-9.1;  
417/360, 307, 413 R, 415, 419, 234-235, 424,  
572

[56] **References Cited**

**U.S. PATENT DOCUMENTS**

D. 195,748 7/1963 Lorenz ..... D15/7

D. 215,881 11/1969 Svenson ..... D15/7  
D. 215,882 11/1969 Svenson ..... D15/7  
4,211,519 7/1980 Hogan ..... 417/360  
4,431,384 2/1984 Walser ..... 417/360

*Primary Examiner*—Ralf T. Seifert  
*Attorney, Agent, or Firm*—Roylance, Abrams, Berdo & Goodman

[57] **CLAIM**

The ornamental design for a pump, as shown.

**DESCRIPTION**

FIG. 1 is a perspective view of the pump according to the present invention;  
FIG. 2 is a left side view of the pump of FIG. 1;  
FIG. 3 is a front end view of the pump of FIG. 1;  
FIG. 4 is a rear end view of the pump of FIG. 1;  
FIG. 5 is a right side view of the pump of FIG. 1;  
FIG. 6 is a top elevational view of the pump of FIG. 1;  
and,  
FIG. 7 is a bottom side view of the pump of FIG. 1.

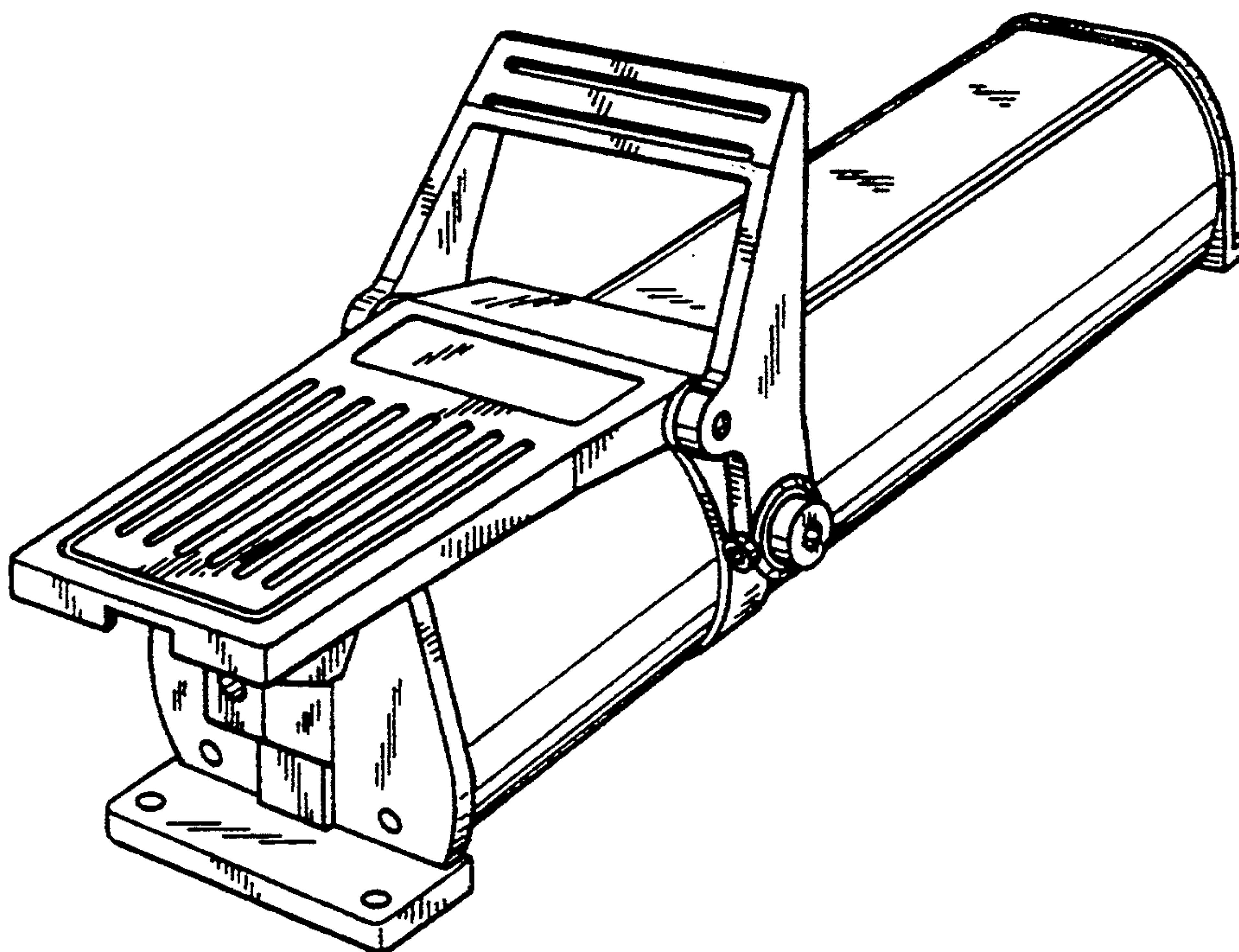


FIG. 1

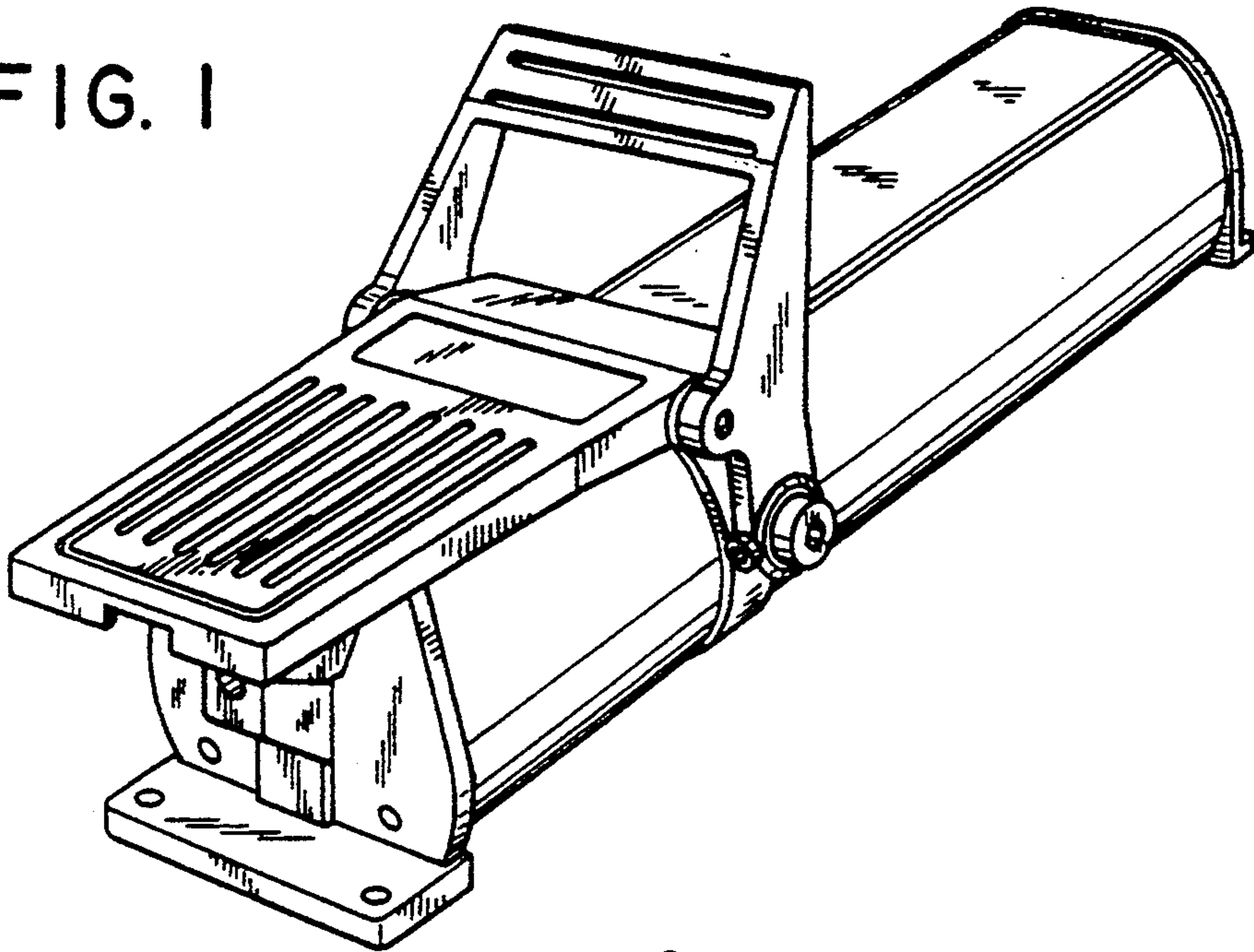


FIG. 2

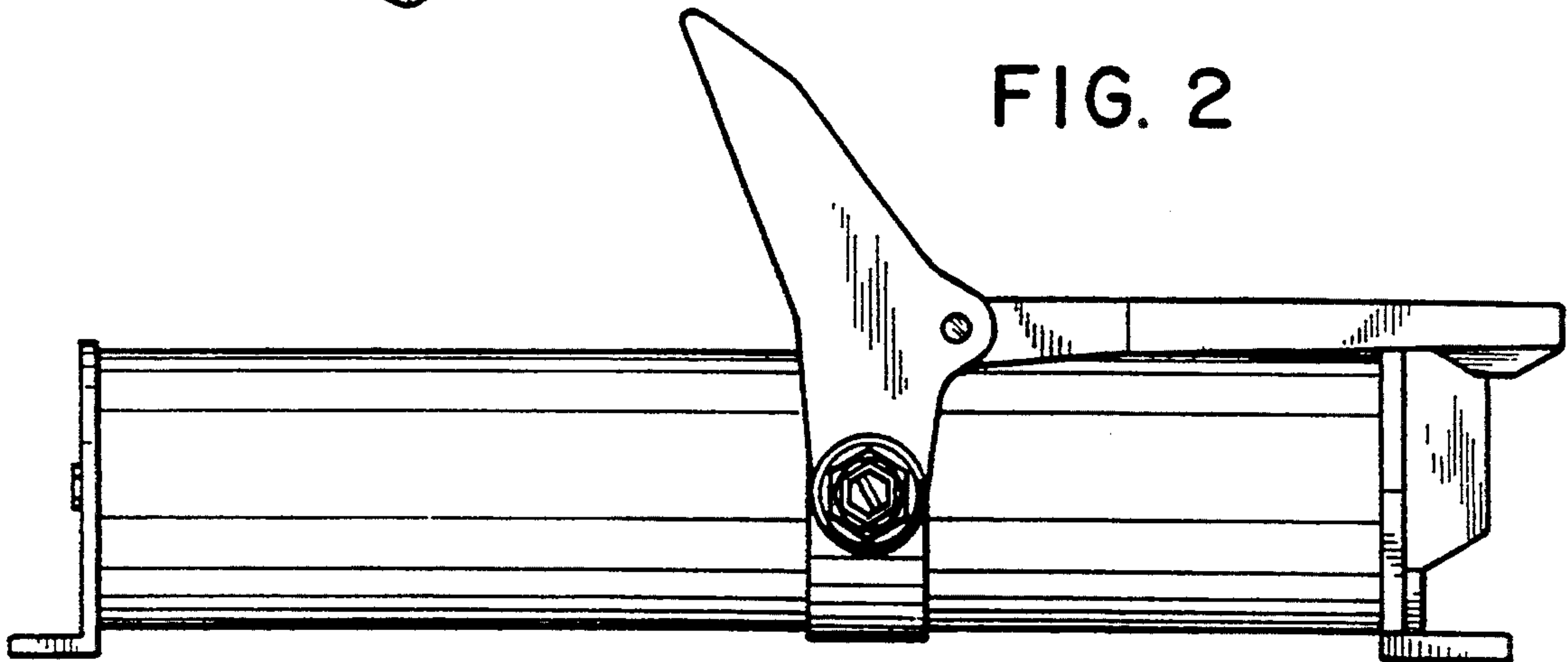


FIG. 3

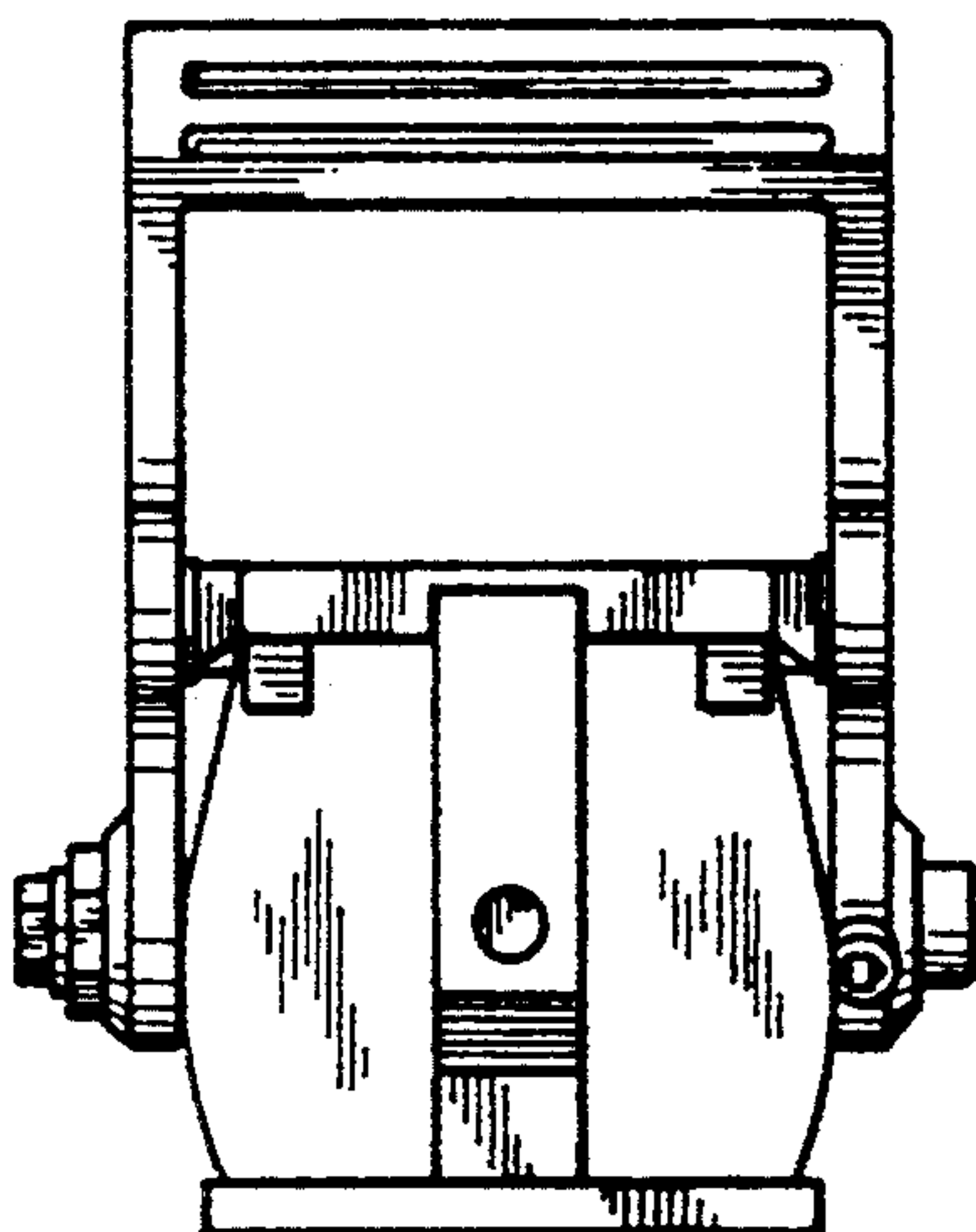


FIG. 4

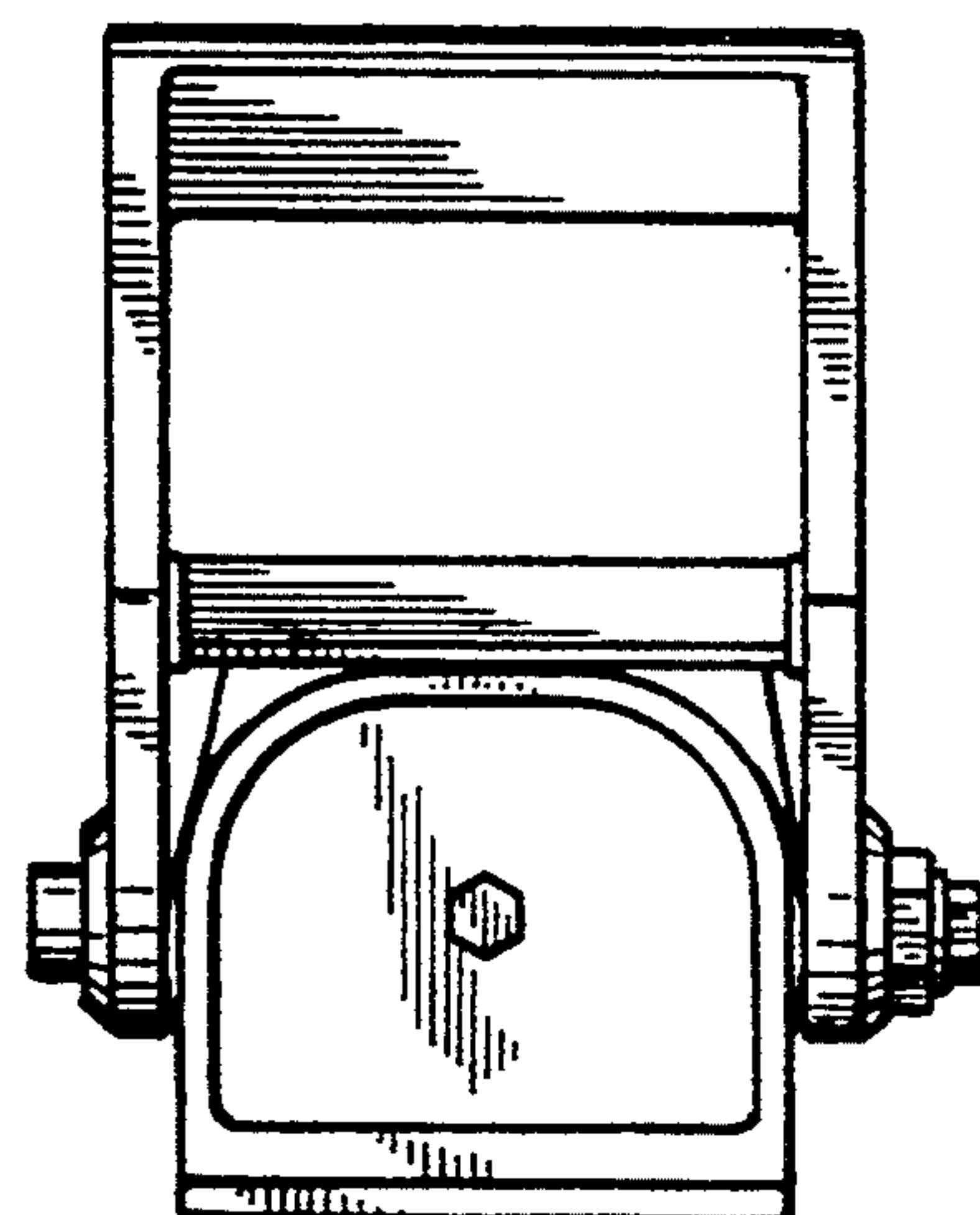


FIG. 5

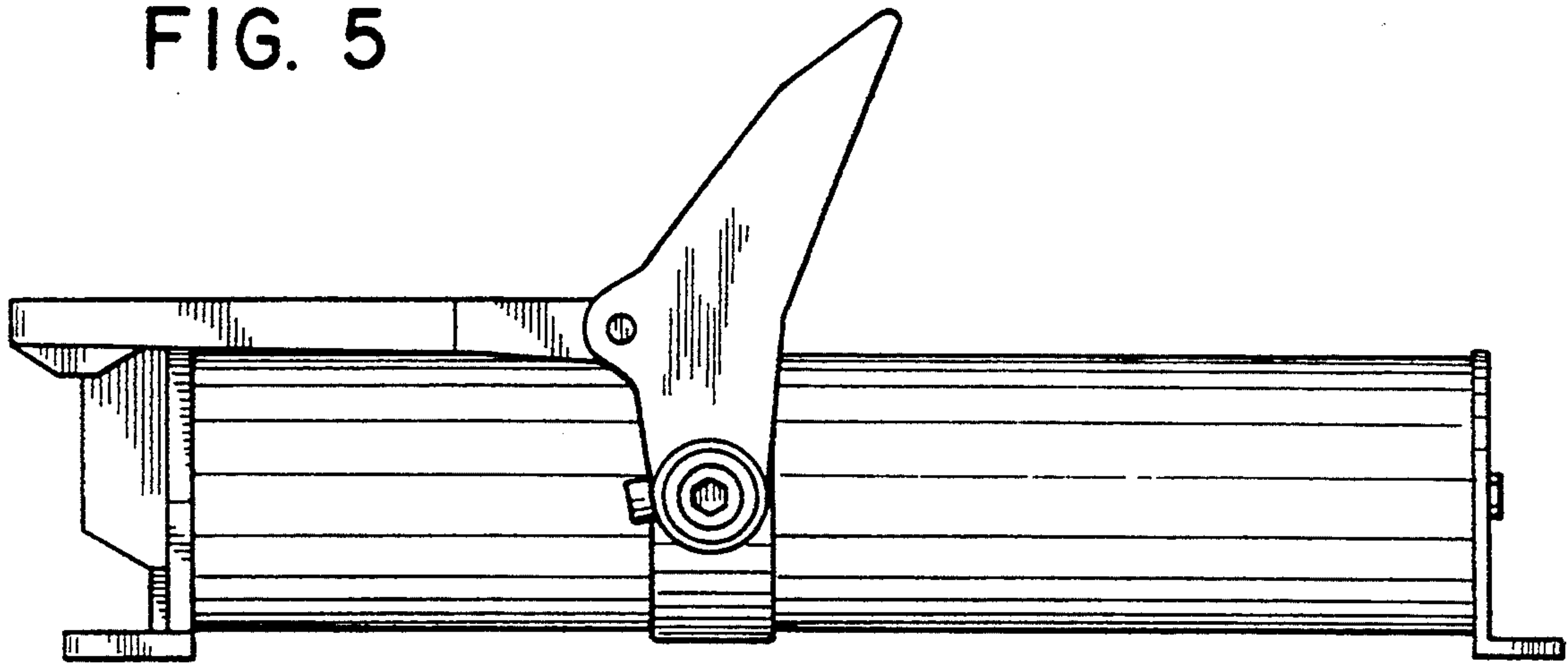


FIG. 6

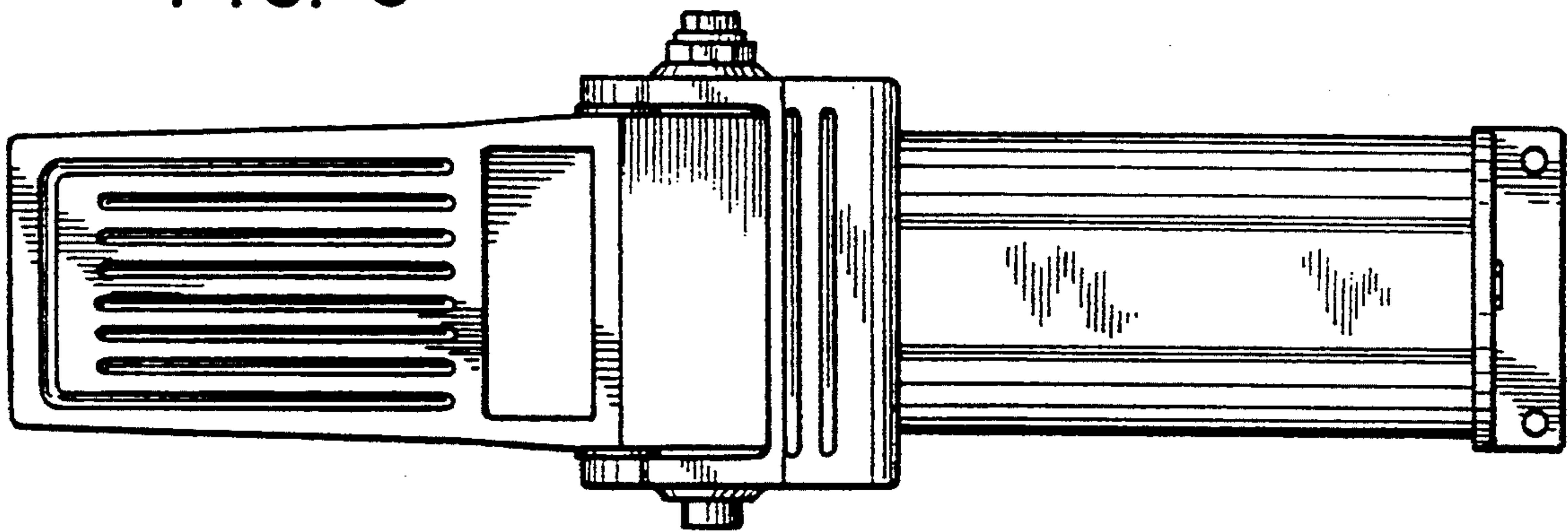


FIG. 7

