



US00D358395S

# United States Patent [19]

[11] Patent Number: **Des. 358,395**

Heidorn et al.

[45] Date of Patent: **\*\* May 16, 1995**

[54] **MODEM**

[75] Inventors: **Richard H. Heidorn**, Lombard;  
**Richard R. Brant**, Geneva, both of Ill.; **Stephen W. Smith**, Middletown;  
**Kenneth Hanzl**, Montville, both of N.J.

[73] Assignee: **Illinois Tool Works Inc.**, Glenview, Ill.

[\*\*] Term: **14 Years**

[21] Appl. No.: **10,286**

[22] Filed: **Jul. 6, 1993**

[52] U.S. Cl. .... **D14/242; D14/114**

[58] Field of Search ..... **D14/107, 114, 242, 240; 379/8, 9, 97-98; D13/164, 147; 361/679, 728, 730, 752; 174/50, 52.1, 65 R**

[56] **References Cited**

### U.S. PATENT DOCUMENTS

D. 252,269	7/1979	Jonsson	.....	D13/147
D. 264,965	6/1982	Frantz	.....	D13/147
D. 295,752	5/1988	Mackenzie et al.	.....	D14/107
D. 309,132	7/1990	Muller et al.	.....	D14/107

D. 333,122	2/1993	Kamakura et al.	.....	D13/147 X
D. 338,193	8/1993	Sasaki	.....	D13/147 X
D. 339,115	9/1993	Eilertsen	.....	D14/107
D. 346,606	5/1994	Harris et al.	.....	D14/107 X

### OTHER PUBLICATIONS

MacConnection Prometheus Pro Modern Remote Plus, p. 61, #3832, Apr. 1992.

*Primary Examiner*—James M. Gandy

*Assistant Examiner*—M. H. Tung

*Attorney, Agent, or Firm*—T. W. Buckman; D. J. Breh

### [57] CLAIM

The ornamental design for a modem, as shown and described.

### DESCRIPTION

FIG. 1 is a front and right side perspective view of a modem showing our new design;  
FIG. 2 is a top plan view thereof;  
FIG. 3 is a right side elevational view thereof;  
FIG. 4 is a left side elevational view thereof;  
FIG. 5 is a front elevational view thereof;  
FIG. 6 is a rear elevational view thereof; and,  
FIG. 7 is a bottom plan view thereof.

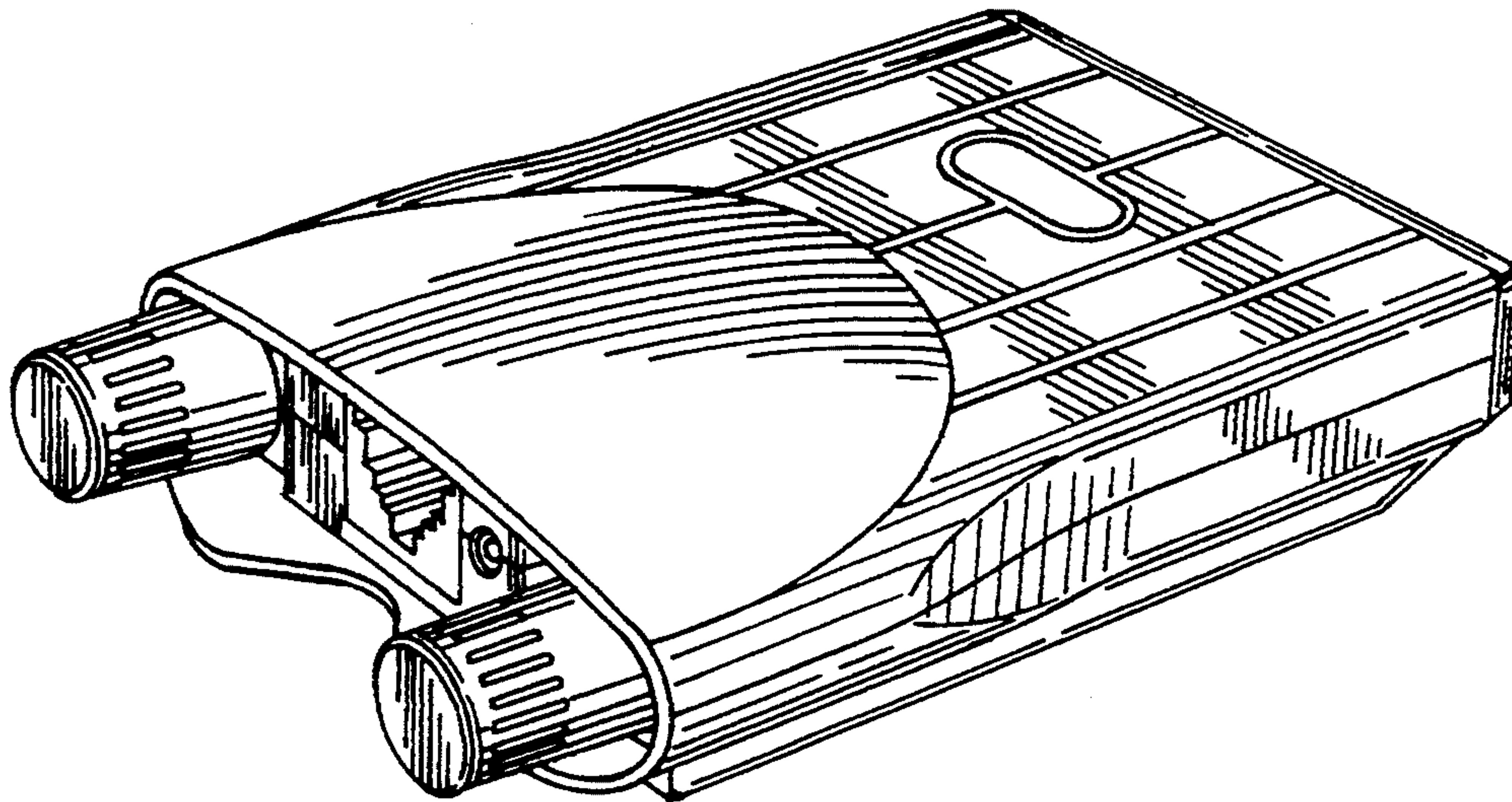


FIG. 1

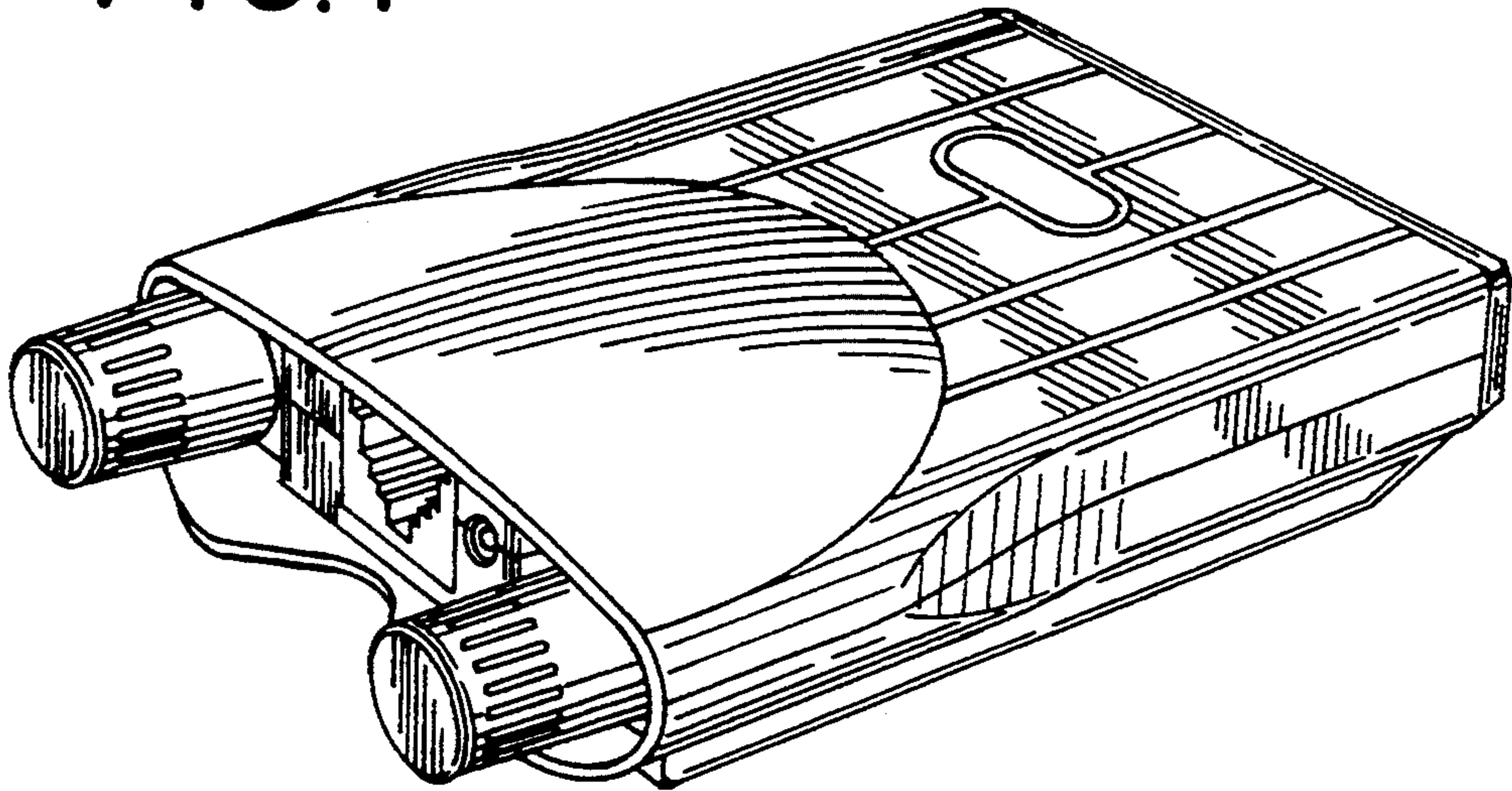


FIG. 2

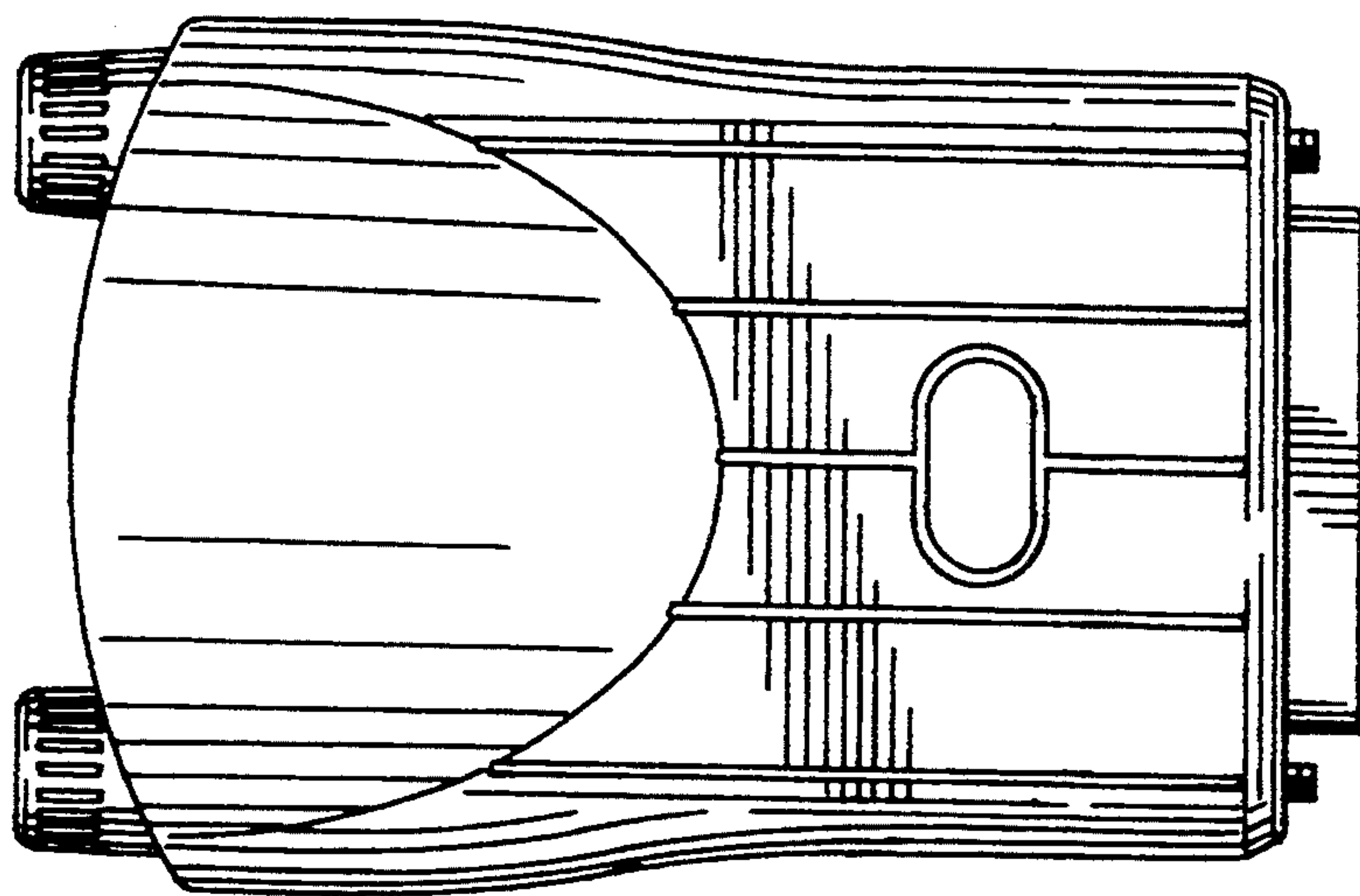


FIG. 3

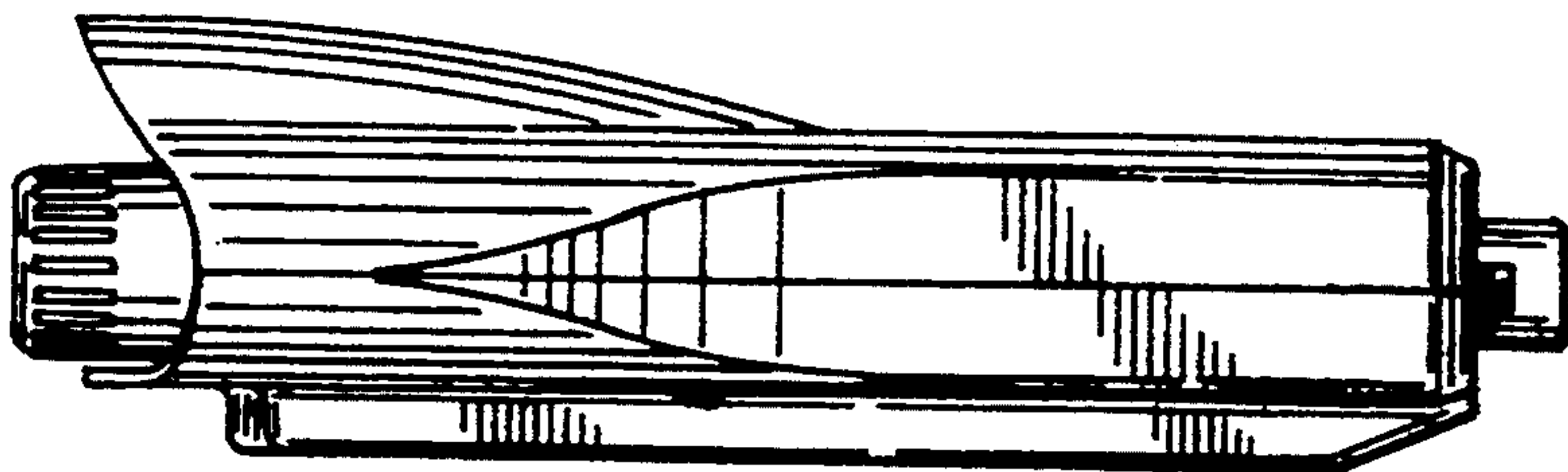


FIG. 4

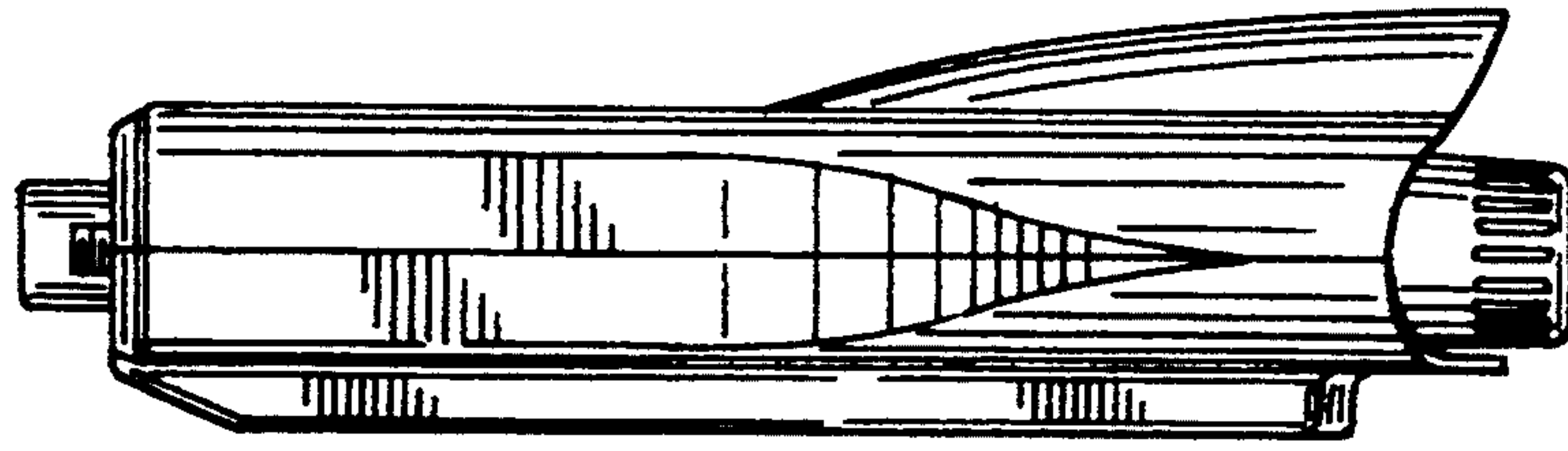


FIG. 5

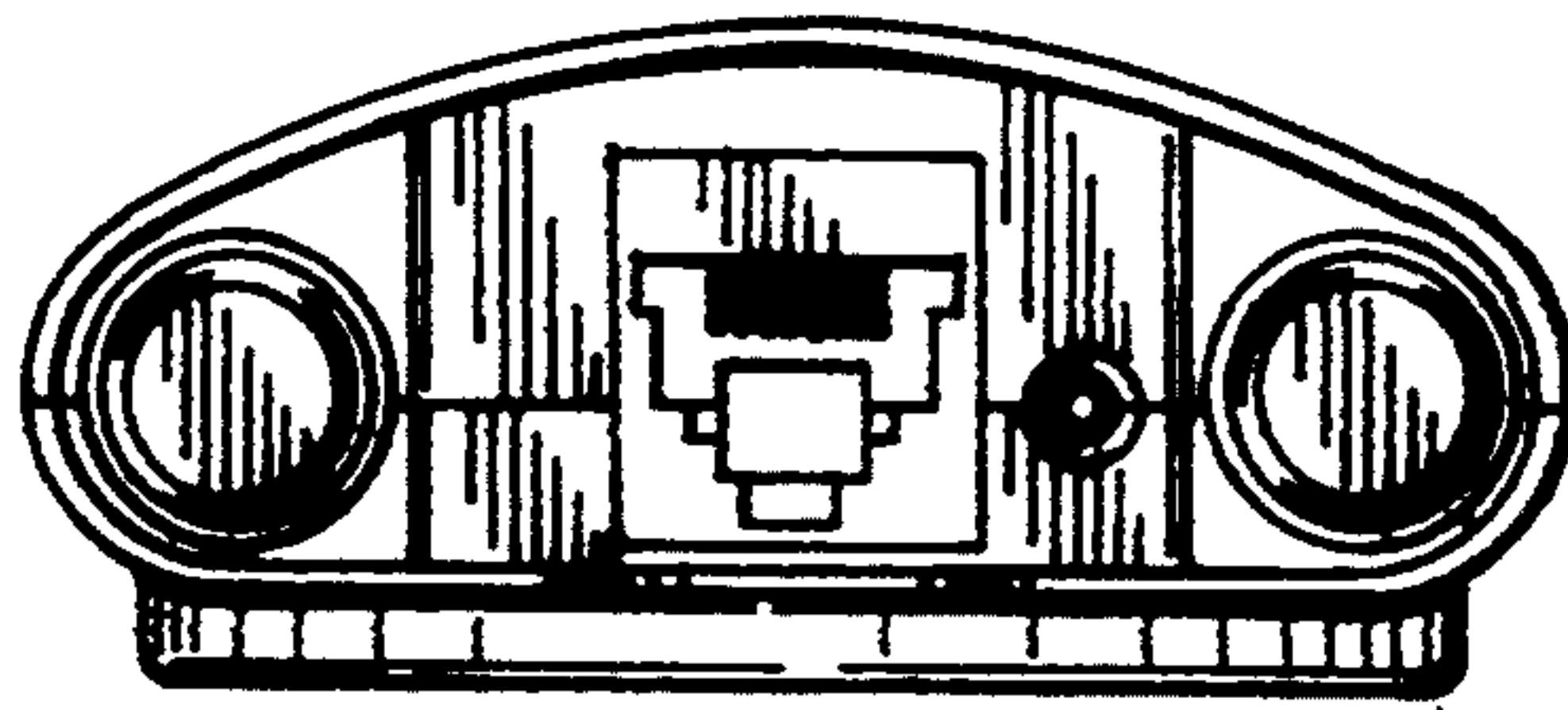


FIG. 6

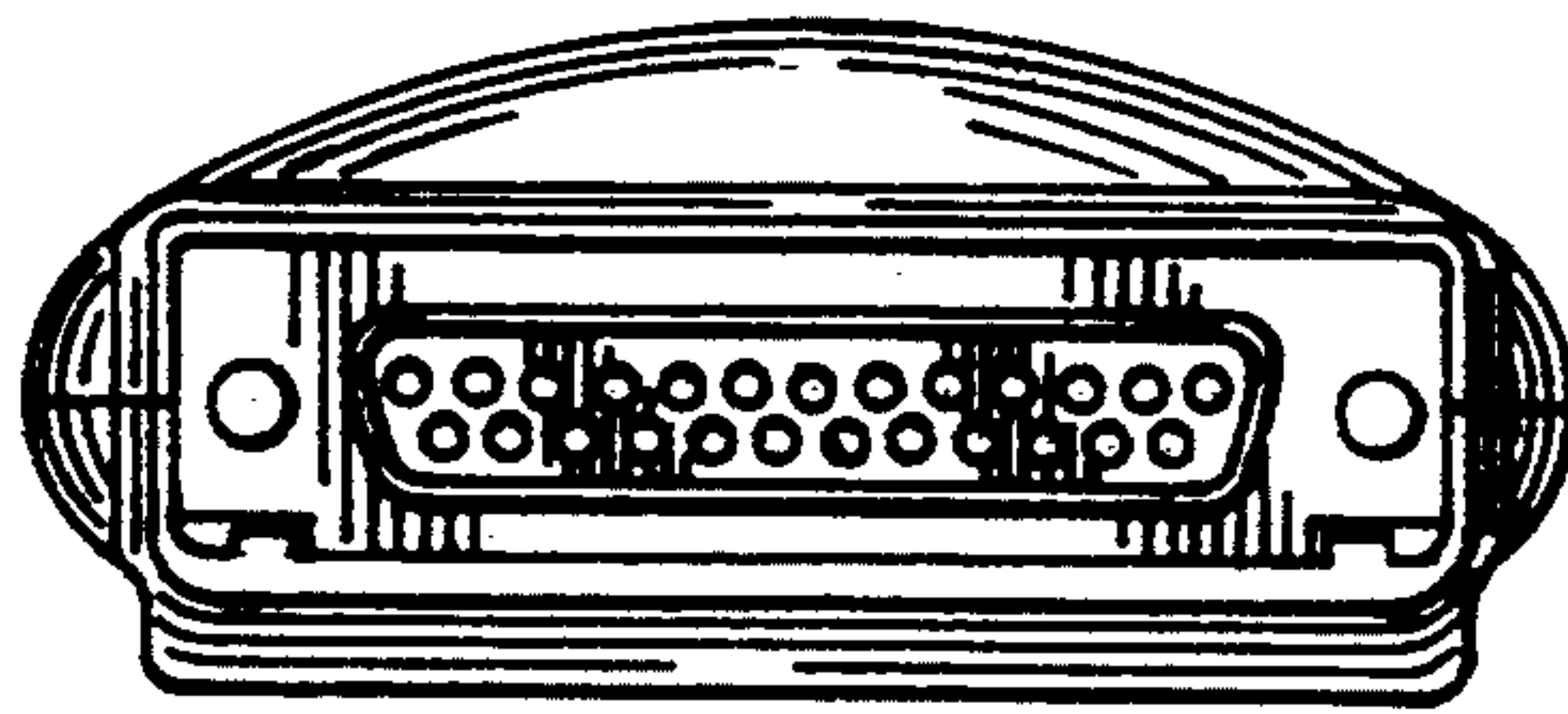


FIG. 7

