



US00D358392S

United States Patent [19]

[11] Patent Number: **Des. 358,392**

Yamazaki

[45] Date of Patent: **** May 16, 1995**

[54] **SPEAKER**

[75] Inventor: **Akira Yamazaki**, Chiba, Japan

[73] Assignee: **Sony Electronics, Inc.**, Park Ridge, N.J.

[**] Term: **14 Years**

[21] Appl. No.: **13,787**

[22] Filed: **Oct. 1, 1993**

[52] U.S. Cl. **D14/213; D14/214**

[58] Field of Search **D14/172, 204, 210, 214, D14/219, 221; 181/144, 145, 147, 148, 198, 199; 381/24, 159, 186, 203, 205**

[56] **References Cited**

U.S. PATENT DOCUMENTS

4,249,037	2/1981	Dexter	381/24
4,289,929	9/1981	Hathaway	181/145
4,503,553	3/1985	Davis	381/24
4,730,694	3/1988	Albarino	181/147
4,924,964	5/1990	Olsen	181/146

FOREIGN PATENT DOCUMENTS

8503156 7/1985 United Kingdom 381/159

Primary Examiner—Terry A. Wallace
Assistant Examiner—Nanda Bondade
Attorney, Agent, or Firm—Jay H. Maioli

[57] **CLAIM**

The ornamental design for a speaker, as shown and described.

DESCRIPTION

FIG. 1 is a top and front perspective view of a speaker, showing my new design;
FIG. 2 is a front and right-side perspective view thereof;
FIG. 3 is a front perspective view thereof, shown with grill cloth installed;
FIG. 4 is a front elevational view thereof;
FIG. 5 is a right-side elevational view thereof, the left-side being a mirror image thereof; and,
FIG. 6 is a top plan view thereof.
The undisclosed rear and bottom views are planar and unornamented.

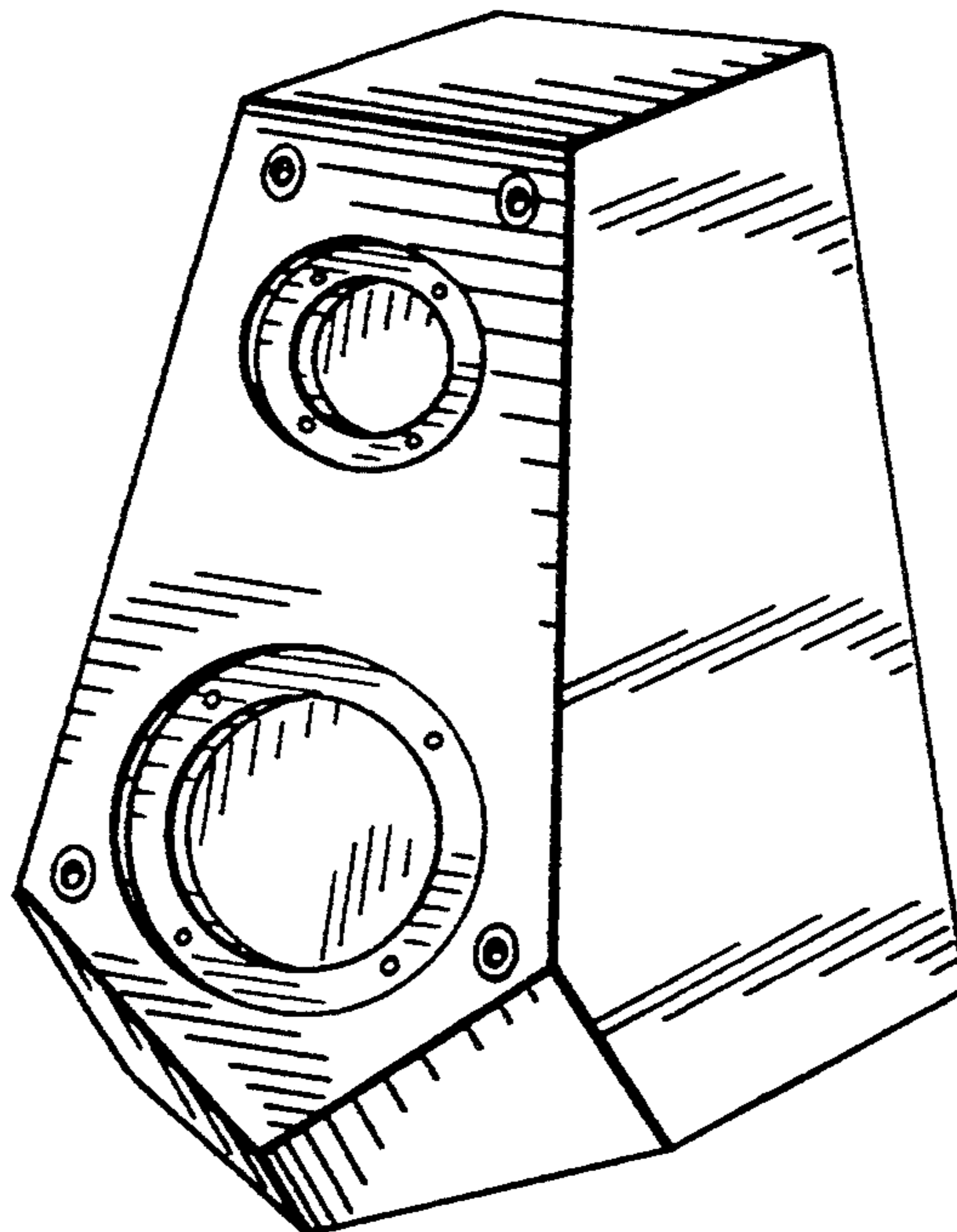


FIG. 1

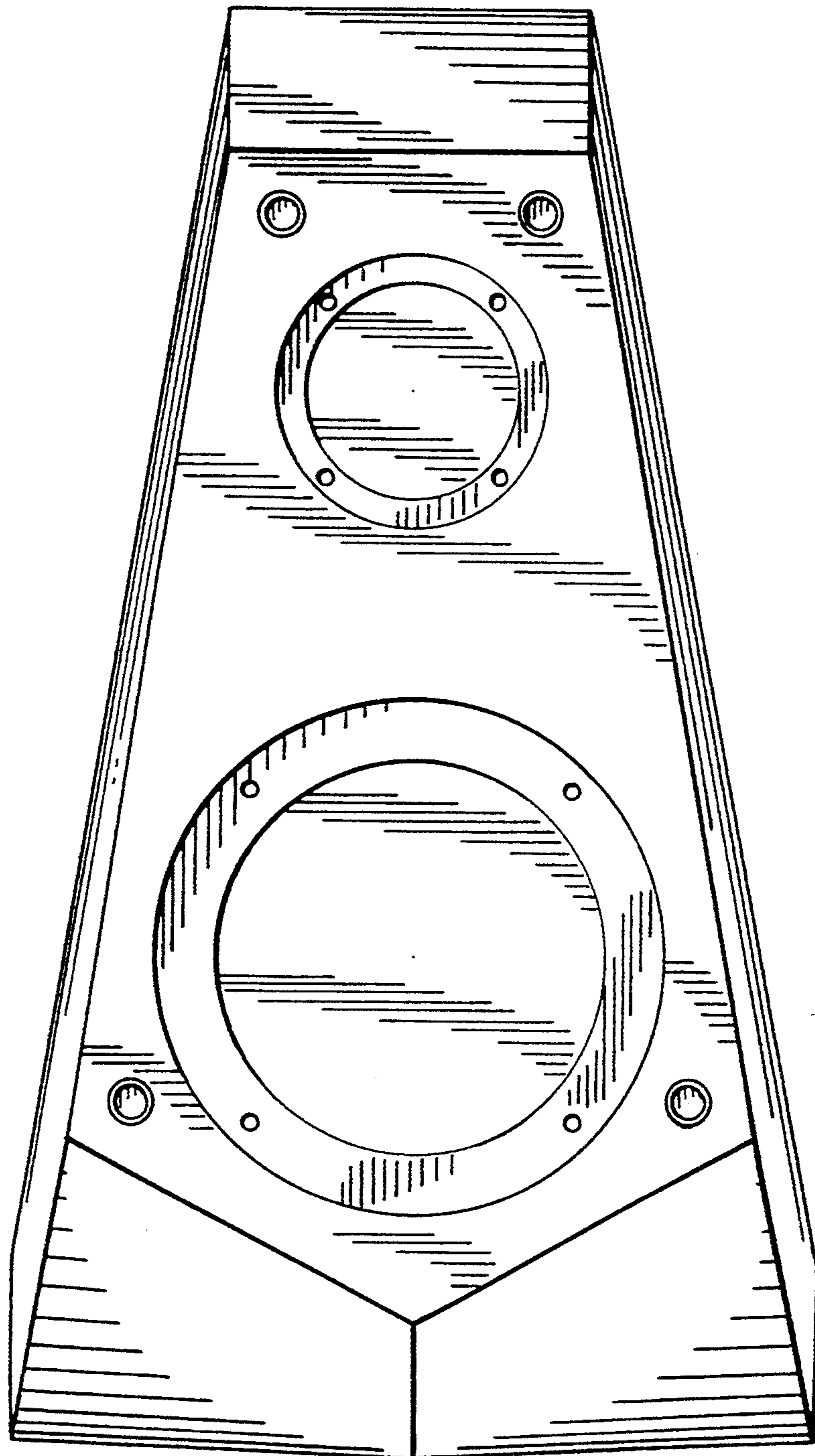


FIG. 2

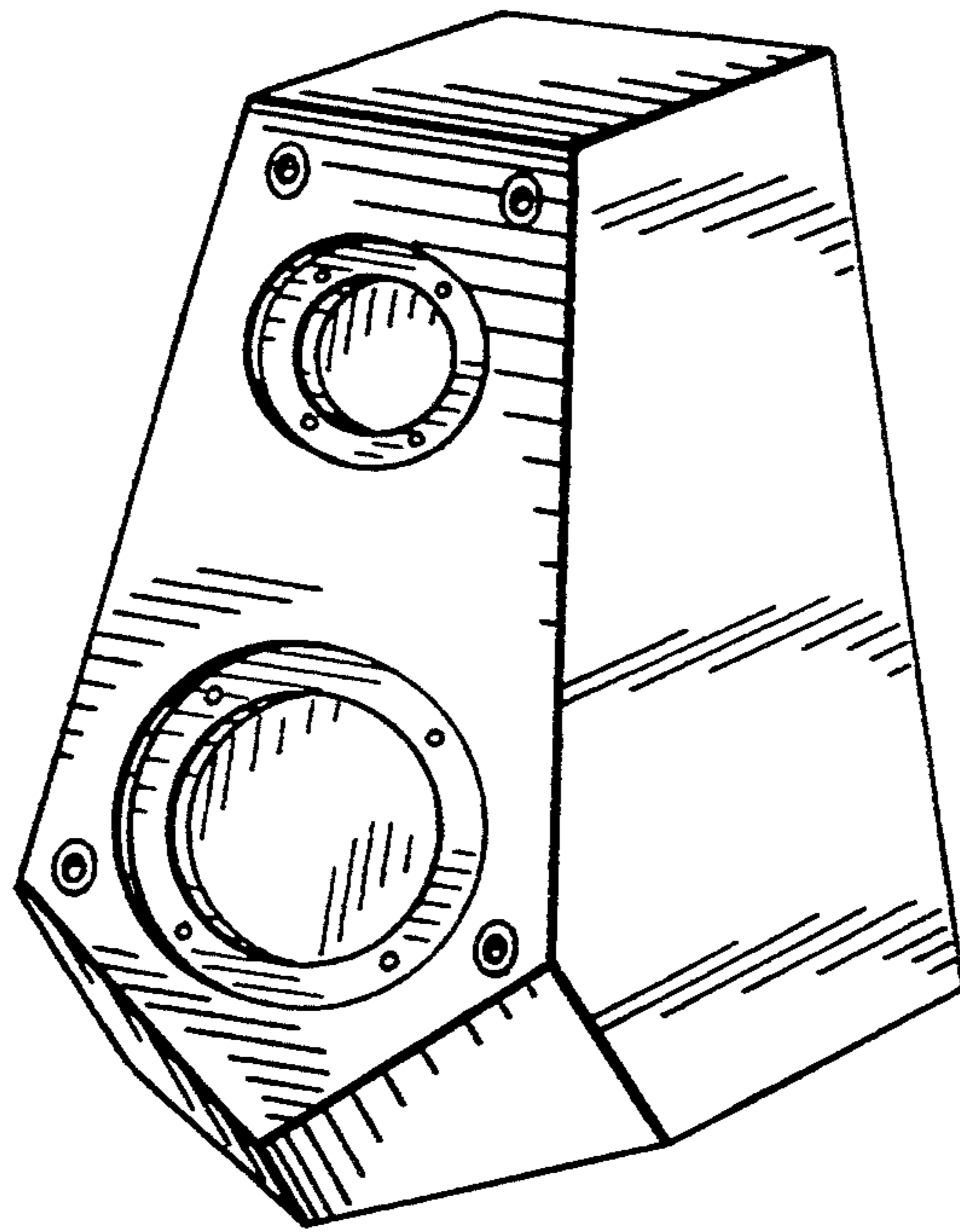


FIG. 3

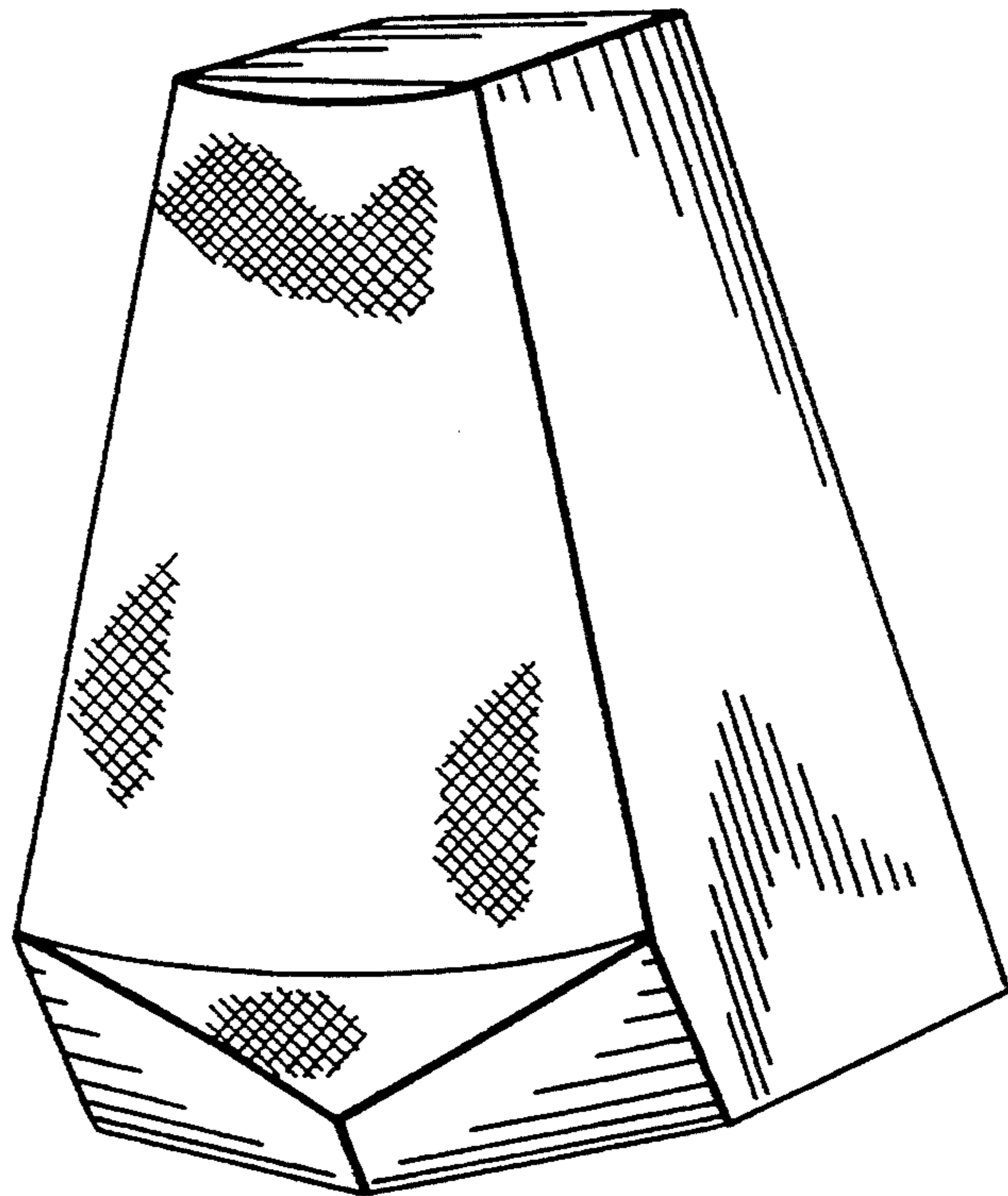


FIG. 4

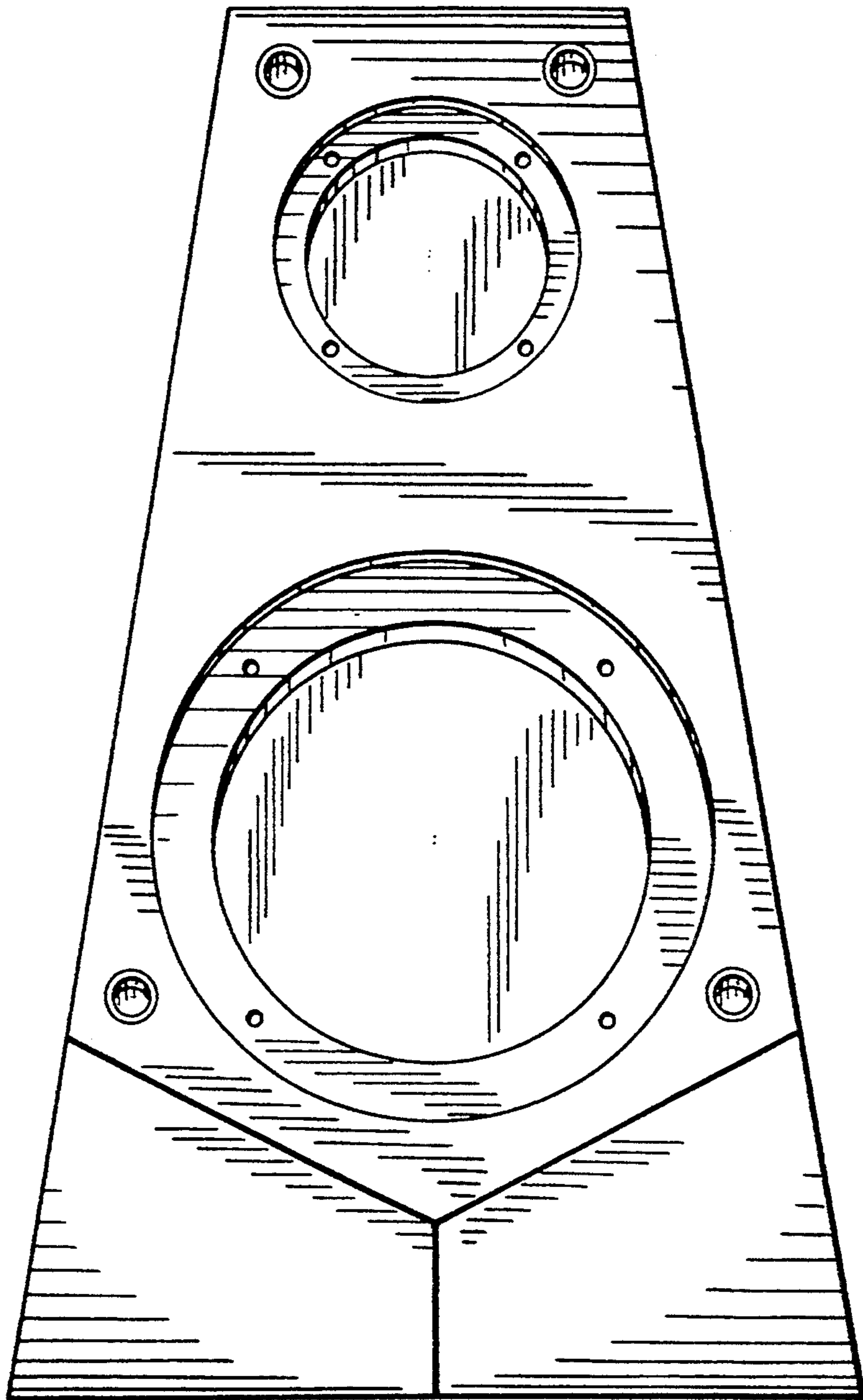


FIG. 5

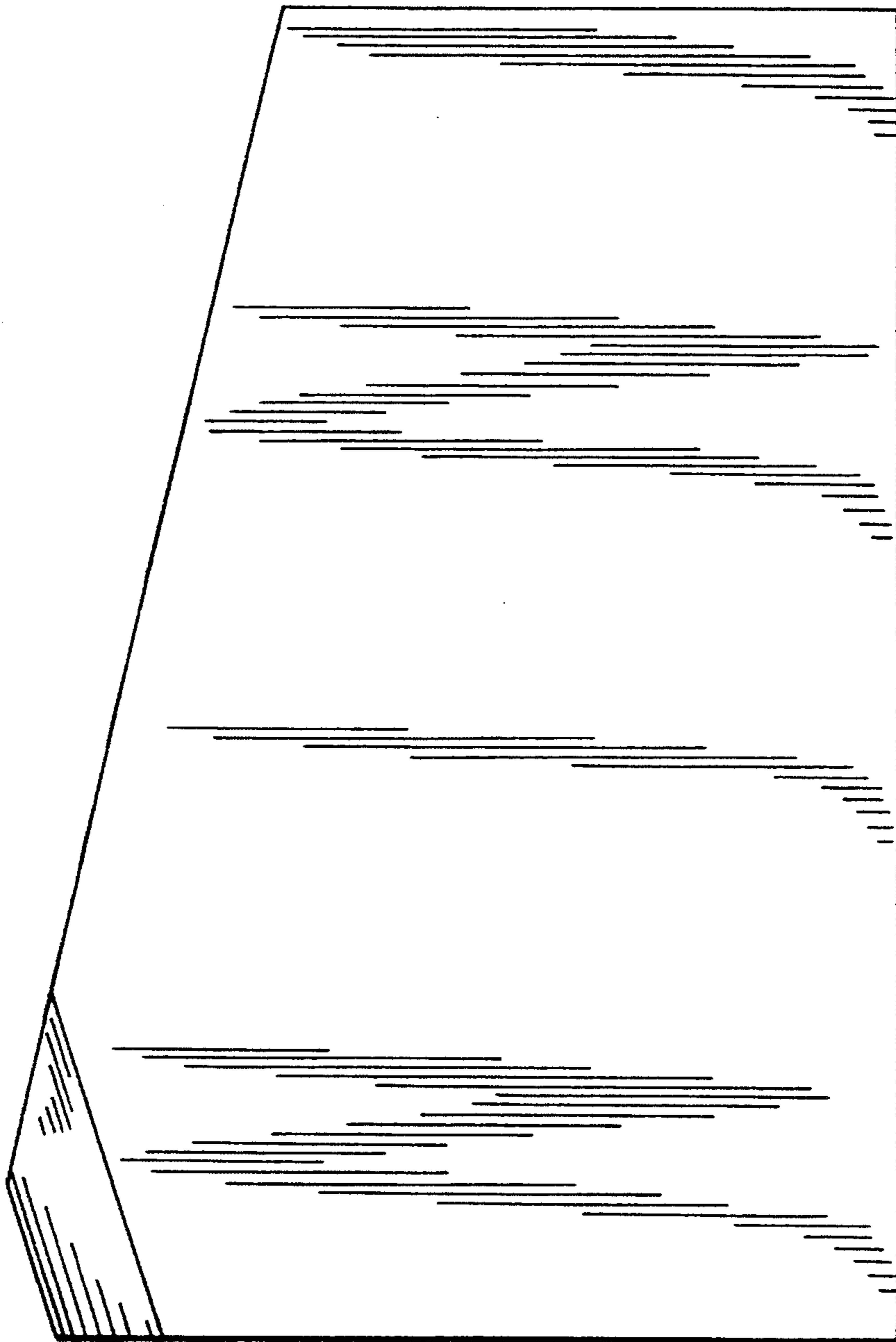


FIG. 6

