



US00D358390S

# United States Patent [19] Hayashi

[11] Patent Number: **Des. 358,390**

[45] Date of Patent: **\*\* May 16, 1995**

[54] HEADPHONE

4-044500 2/1992 Japan ..... 381/74

[75] Inventor: **Haruo Hayashi**, Tokyo, Japan

[73] Assignee: **Sony Corporation**, Tokyo, Japan

[\*\*] Term: **14 Years**

[21] Appl. No.: **22,783**

[22] Filed: **May 11, 1994**

[52] U.S. Cl. .... **D14/205**

[58] Field of Search ..... **D14/205, 206, 223;**  
181/129, 136-137; 379/430, 444; 381/25, 68,  
158, 183, 187

### OTHER PUBLICATIONS

Audio, Nov. 1987, p. 29, AKGK240DF Studio Monitor Headphone.

Stereo Review, Jun. 1985, p. 14, Headphone.

*Primary Examiner*—Terry A. Wallace

*Assistant Examiner*—Nanda Bondade

*Attorney, Agent, or Firm*—Jay H. Maioli

### [57] CLAIM

The ornamental design for headphone, as shown and described.

### [56] References Cited

#### U.S. PATENT DOCUMENTS

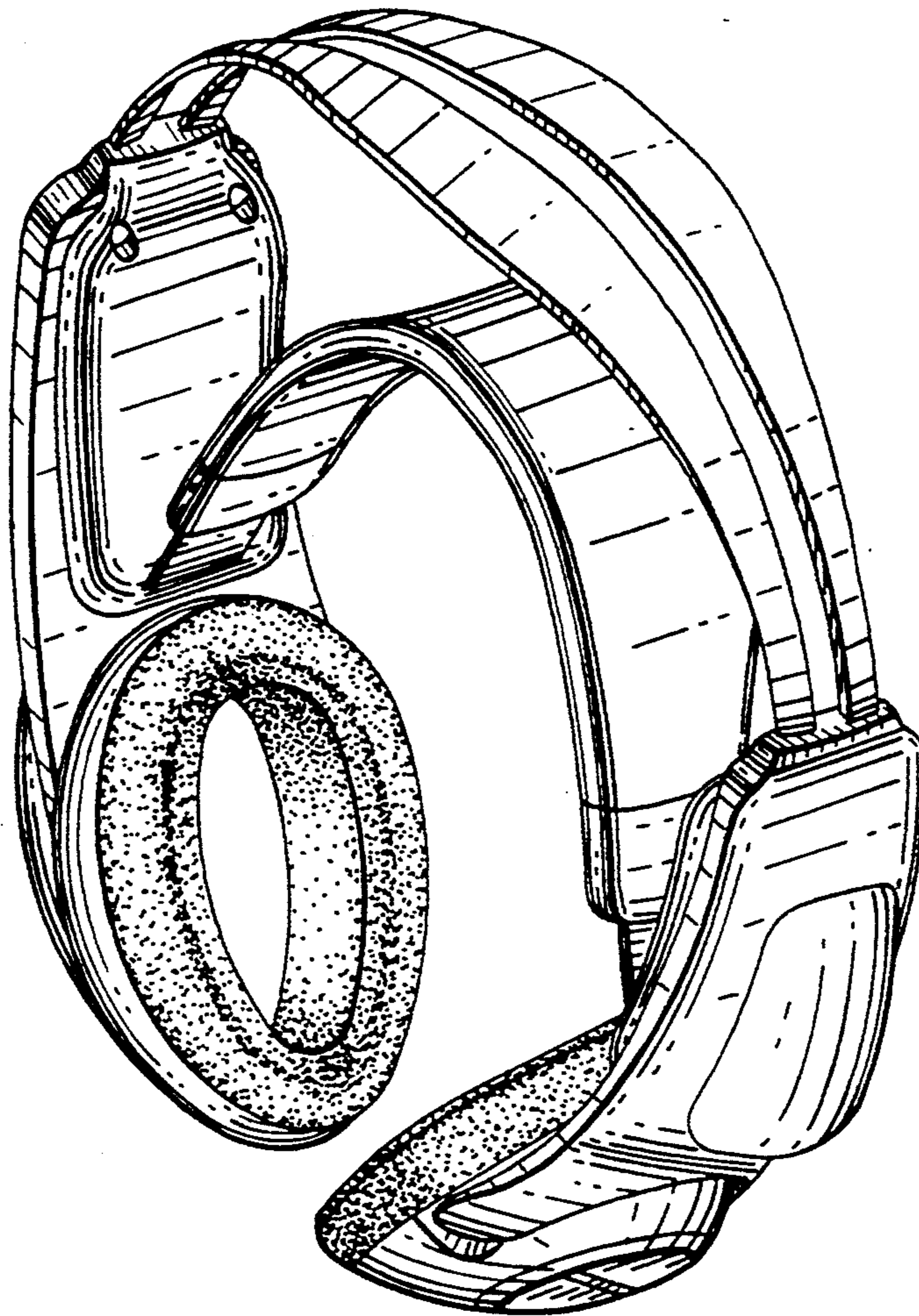
- D. 254,183 2/1980 Doodson ..... D14/205
- D. 286,632 11/1986 Teunis ..... D14/205
- D. 337,115 7/1993 Yamazaki ..... D14/205
- 2,782,423 2/1957 Simon et al. .... D14/205 X

#### FOREIGN PATENT DOCUMENTS

- 0111199 7/1982 Japan ..... 381/74

### DESCRIPTION

FIG. 1 is a top, front and right-side perspective view of a headphone, showing my new design;  
 FIG. 2 is a front elevational view thereof;  
 FIG. 3 is a rear elevational view thereof;  
 FIG. 4 is a left-side elevational view thereof;  
 FIG. 5 is a right-side elevational view thereof;  
 FIG. 6 is a top plan view thereof; and,  
 FIG. 7 is a bottom plan view thereof.



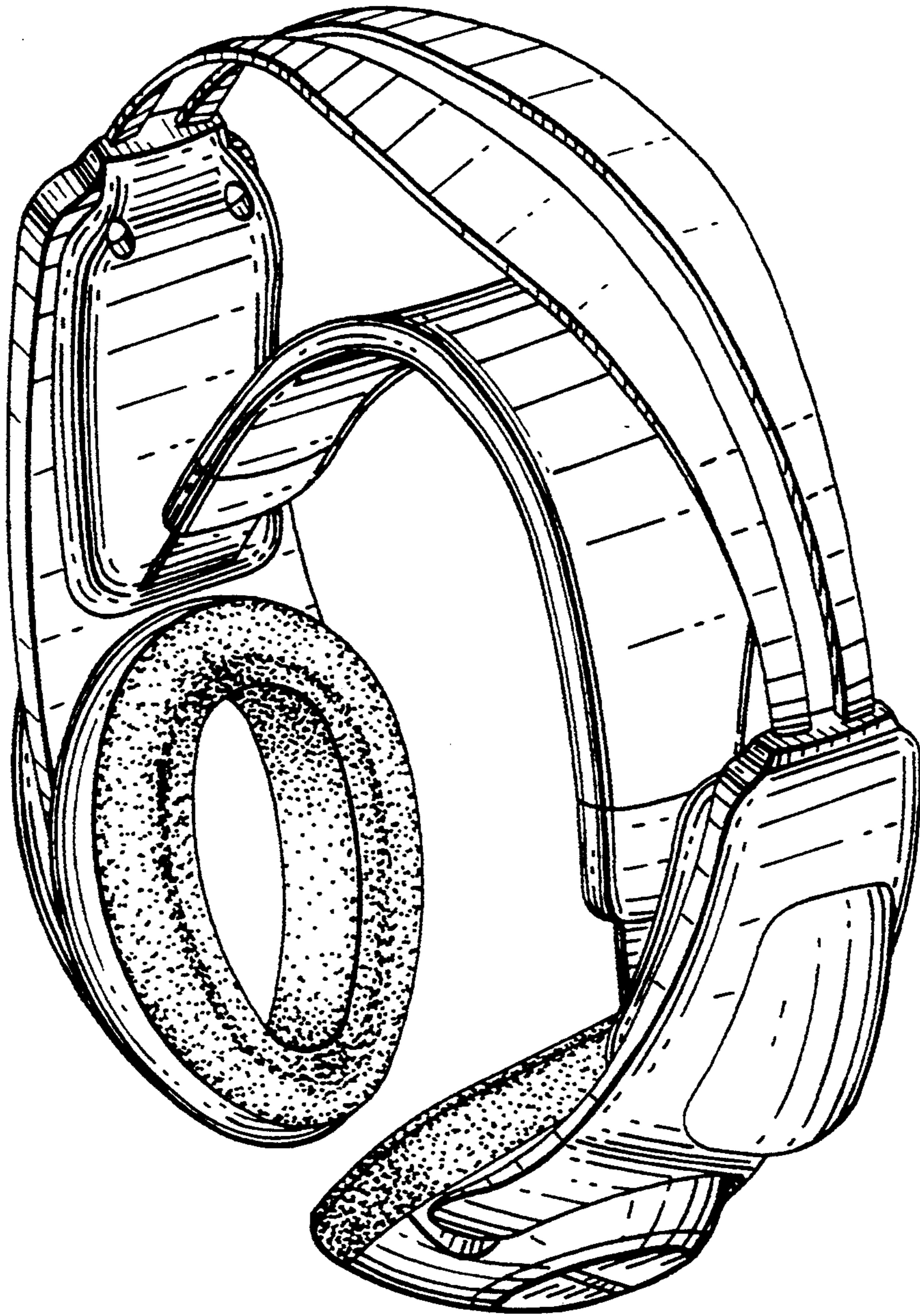


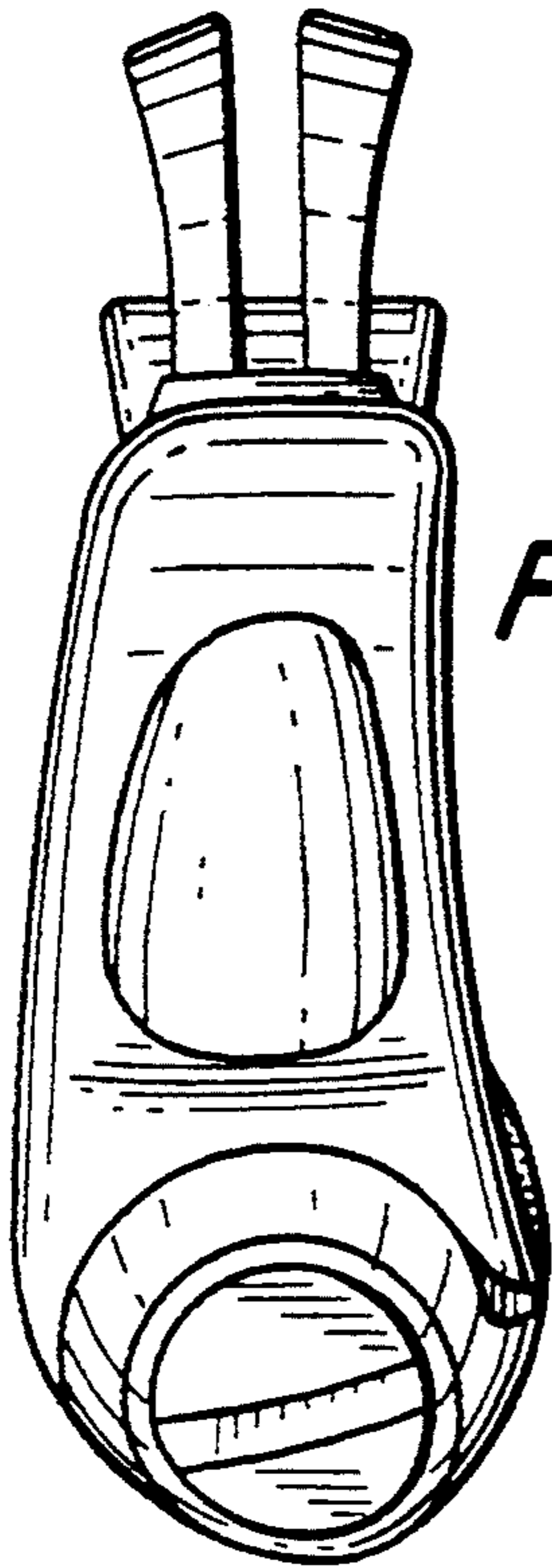
FIG. 1



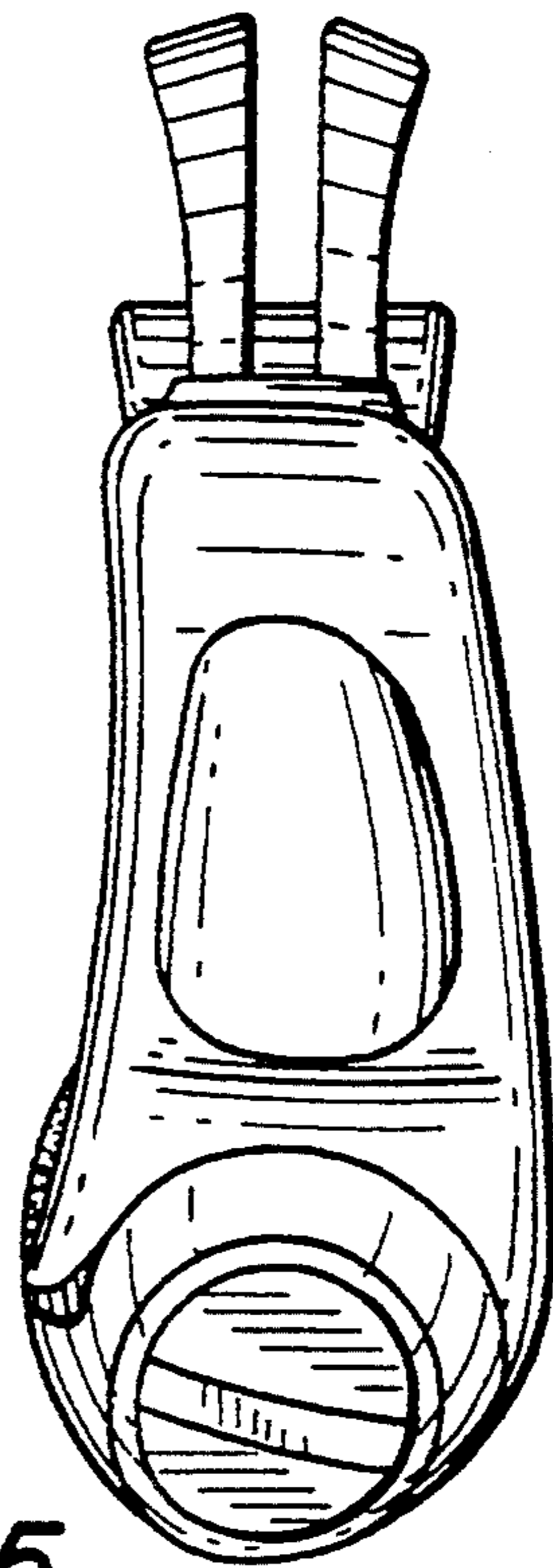
*FIG. 2*



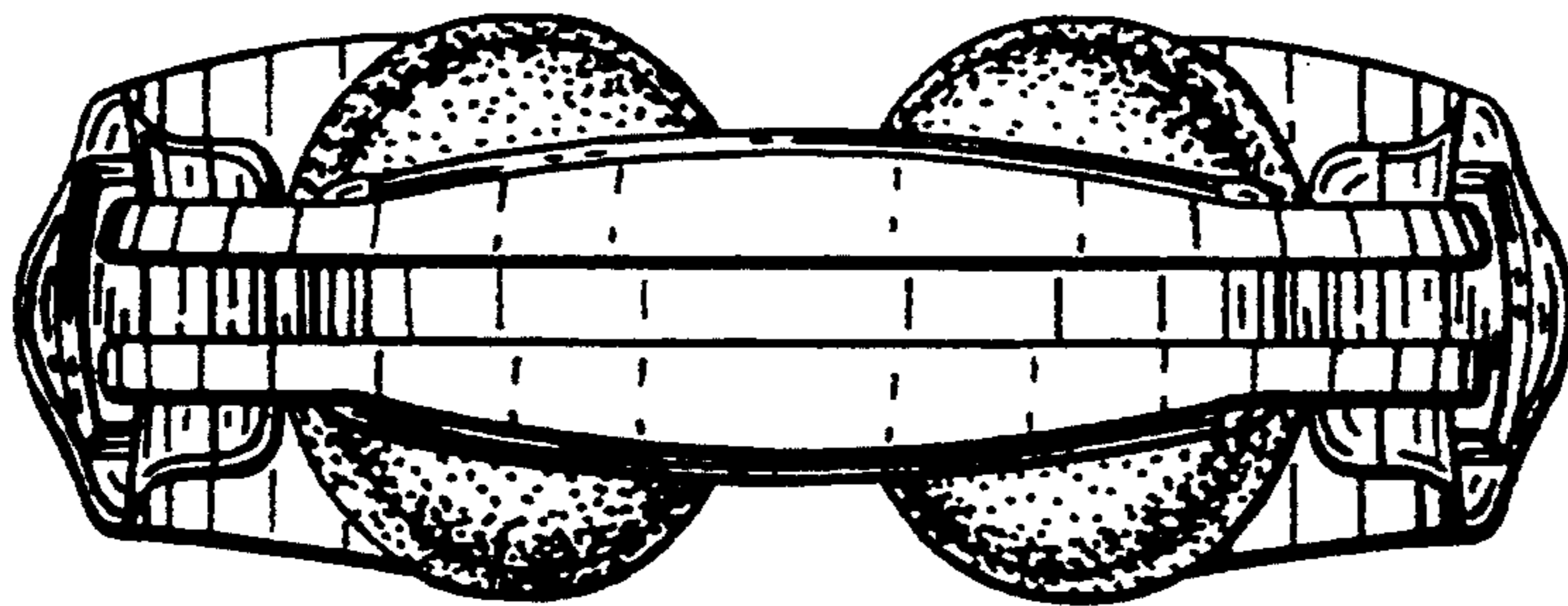
*FIG. 3*



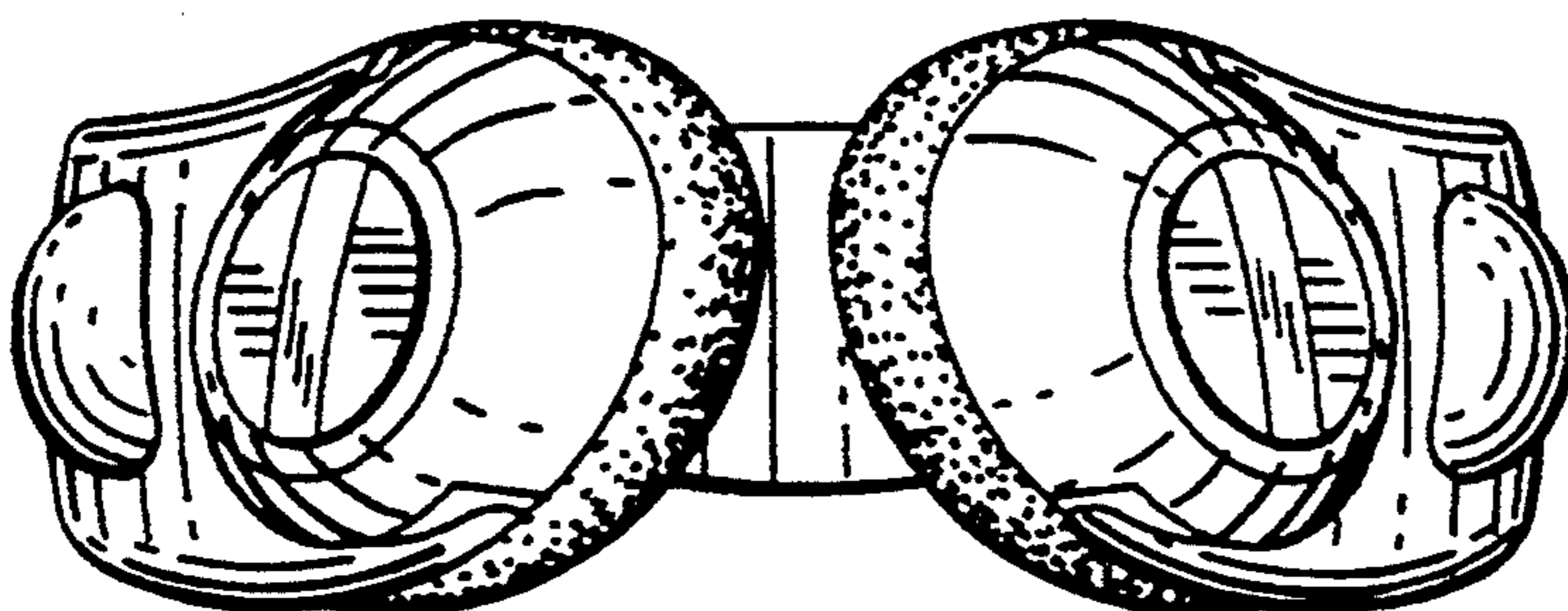
*FIG. 4*



*FIG. 5*



*FIG. 6*



*FIG. 7*