



US00D358386S

United States Patent [19]

[11] Patent Number: **Des. 358,386**

McVicar et al.

[45] Date of Patent: **** May 16, 1995**

[54] **HAND-HELD SCANNER**

[75] Inventors: **David N. McVicar**, Placerville; **Paul S. Montgomery**; **Herbert H. F. Pfeifer**, both of San Francisco, all of Calif.

[73] Assignee: **Logitech, Inc.**, Fremont, Calif.

[**] Term: **14 Years**

[21] Appl. No.: **17,283**

[22] Filed: **Nov. 18, 1993**

[52] U.S. Cl. **D14/116**

[58] Field of Search **D14/100, 114, 116; 235/375, 378, 385, 454, 462, 472, 486; 354/80-82; 382/58-69; 250/203.1, 216, 566, 568; D26/37, 45, 50**

[56] **References Cited**

U.S. PATENT DOCUMENTS

D. 242,258 11/1976 McPherson D14/116

D. 307,749 5/1990 Kerbota et al. D14/116
D. 307,894 5/1990 Siemiatkowski D14/116
D. 342,064 12/1993 Harden D14/116
D. 342,489 12/1993 Tzu-Chin D14/116
D. 342,490 12/1993 Tzu-Chin D14/116

Primary Examiner—Melanie H. Tung
Attorney, Agent, or Firm—Townsend and Townsend
Khourie and Crew

[57] **CLAIM**

The ornamental design for a hand-held scanner, as shown and described.

DESCRIPTION

FIG. 1 is a bottom perspective view of a hand-held scanner showing our new design;
FIG. 2 is a top plan view thereof;
FIG. 3 is a front elevational view thereof;
FIG. 4 is a right side elevational view thereof;
FIG. 5 is a left side elevational view thereof;
FIG. 6 is a rear elevational view thereof; and,
FIG. 7 is a bottom plan view thereof.

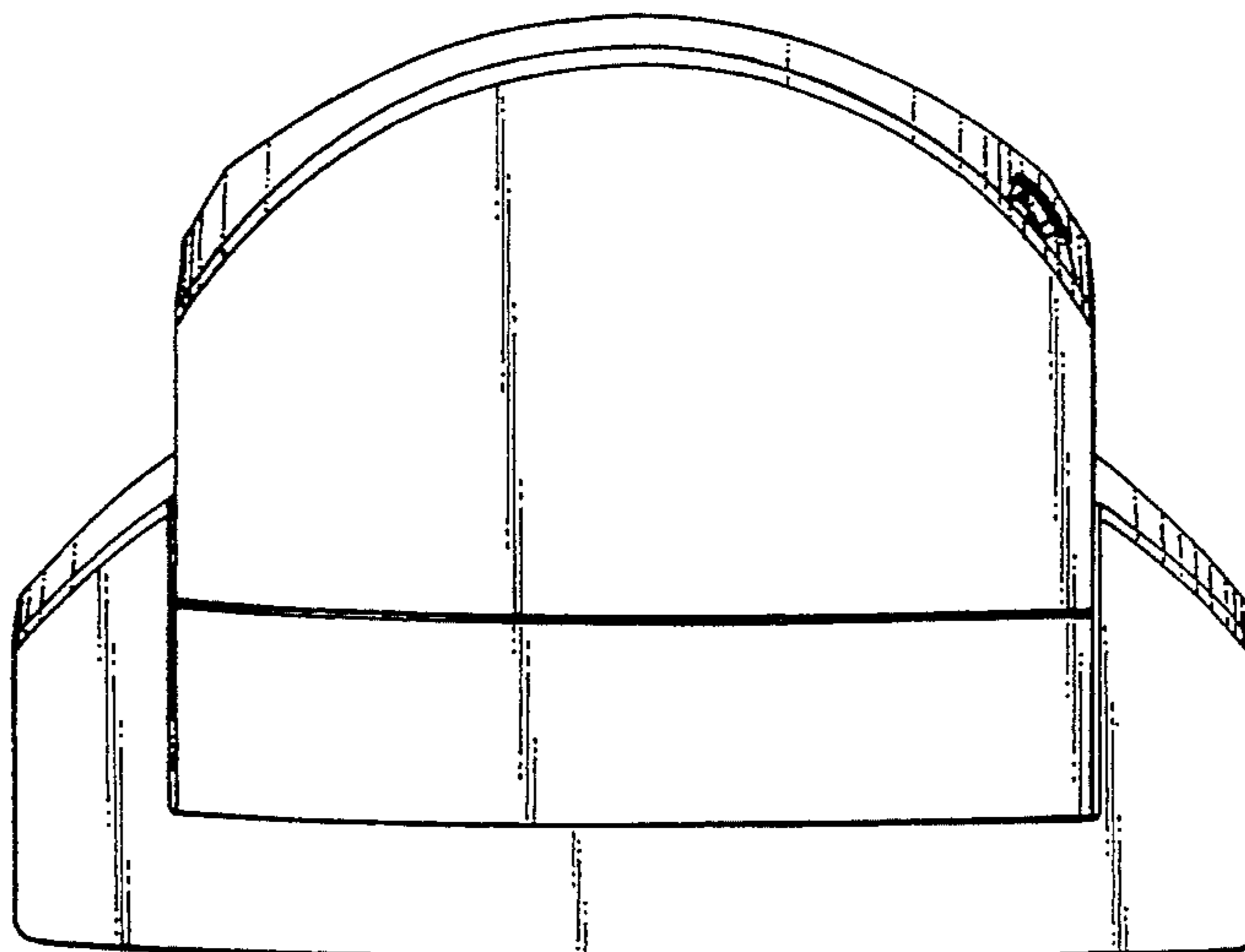
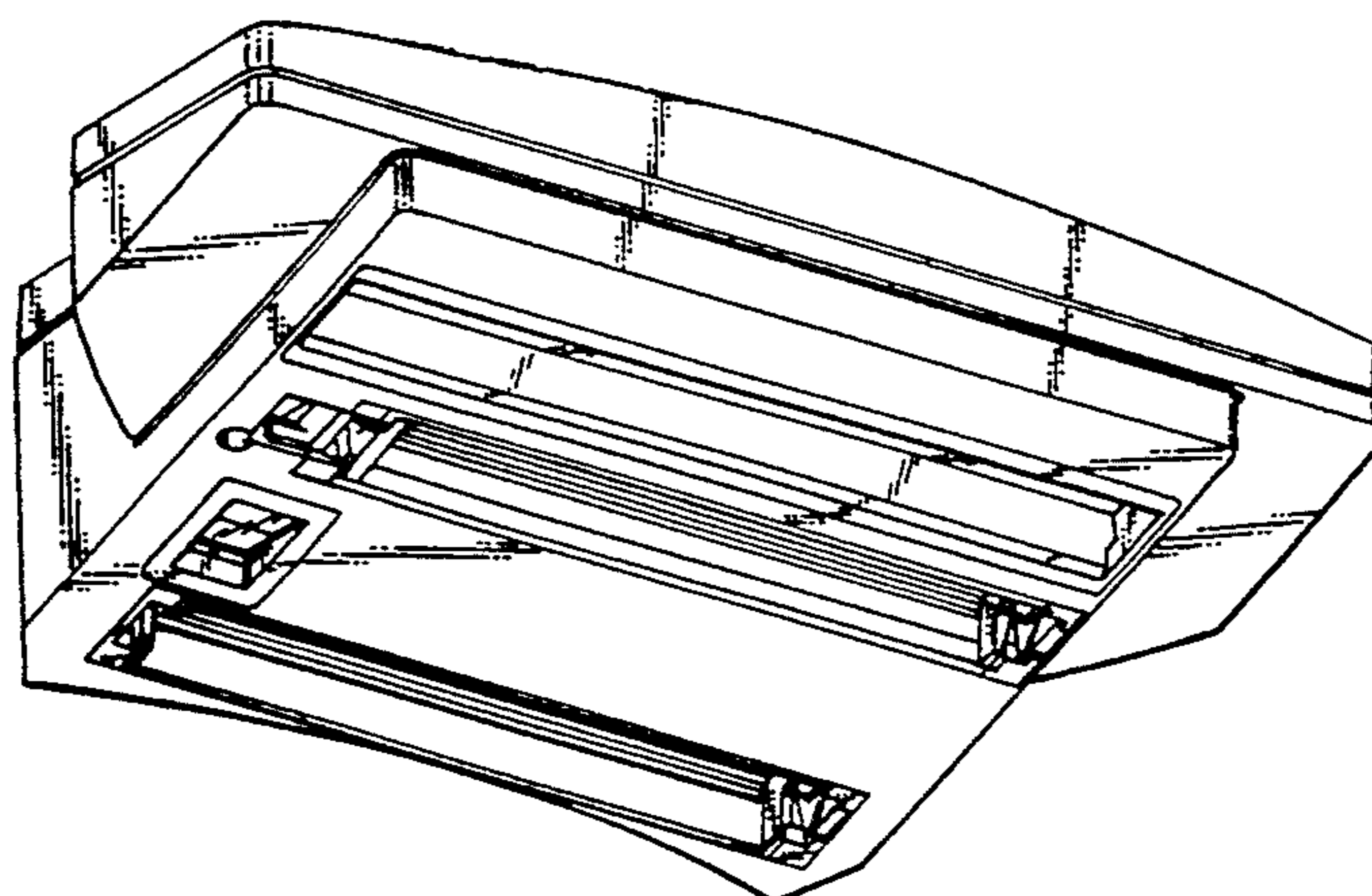


FIG. 1.

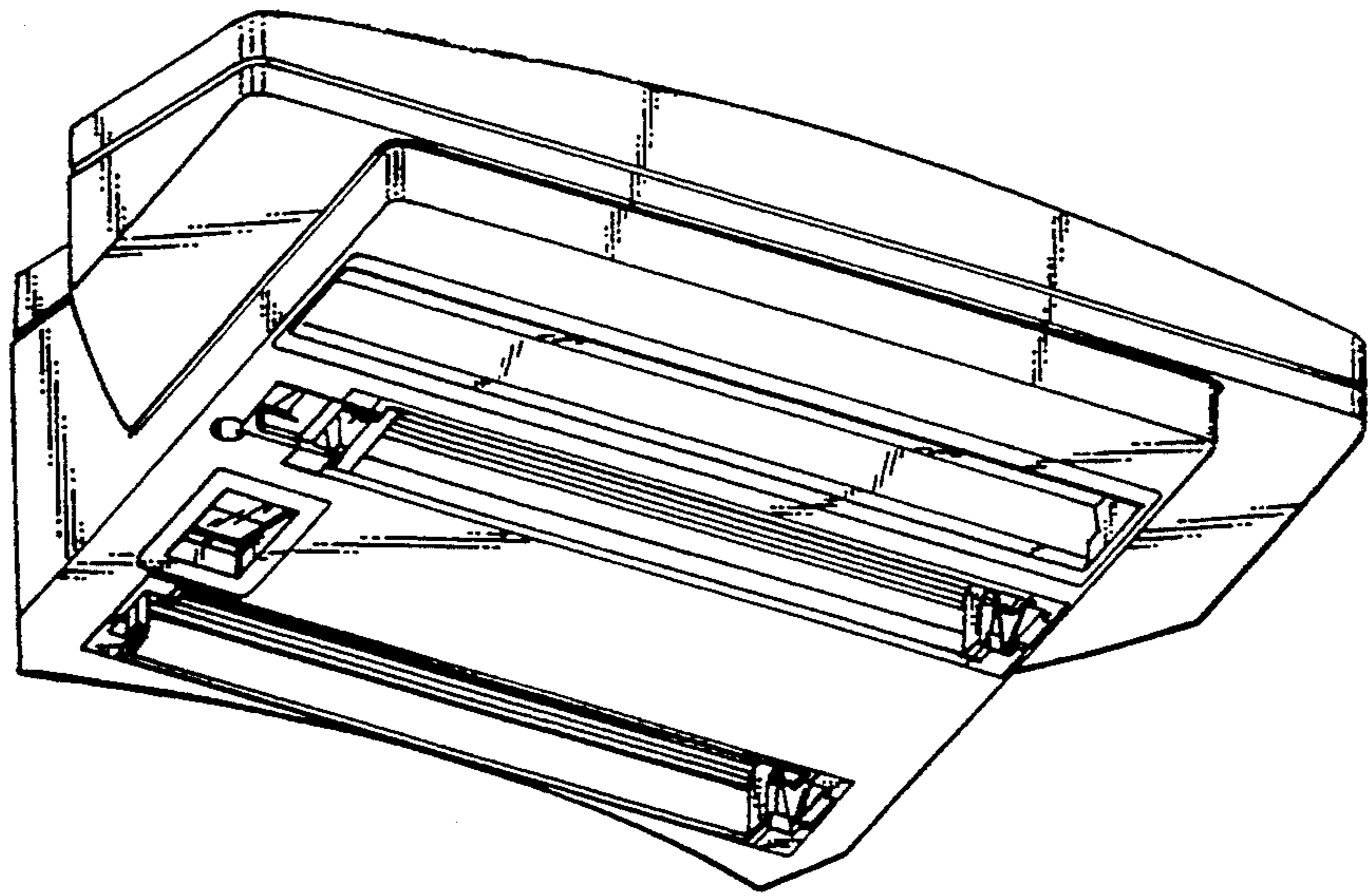


FIG. 2.

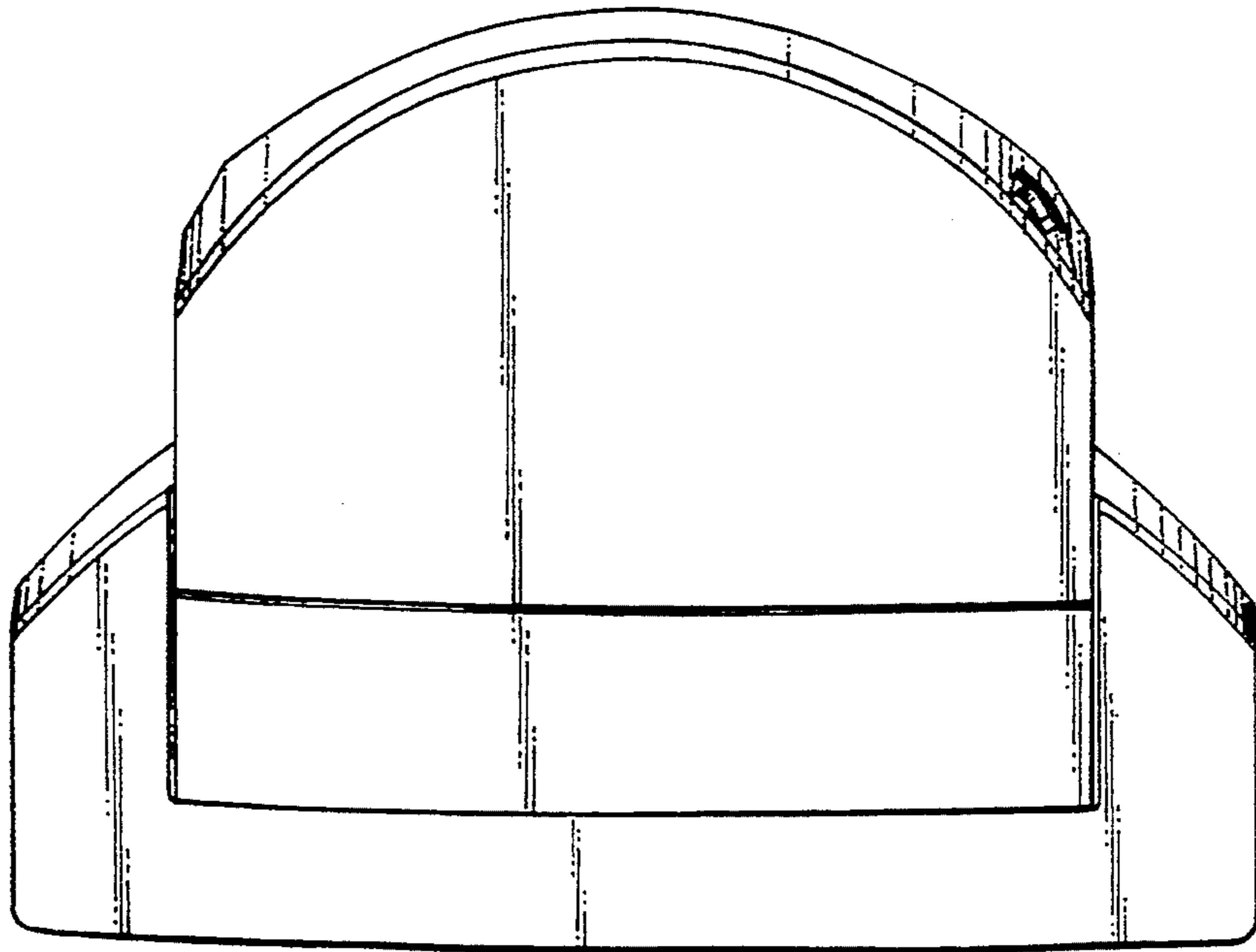


FIG. 3.

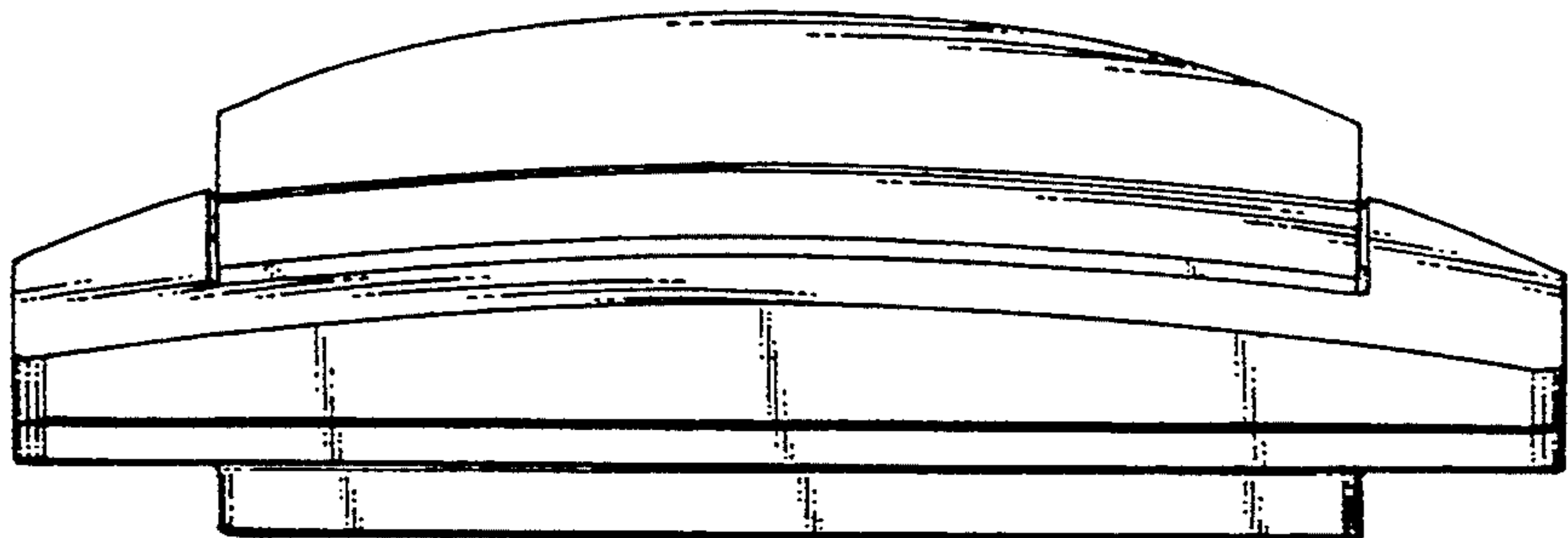


FIG. 4.

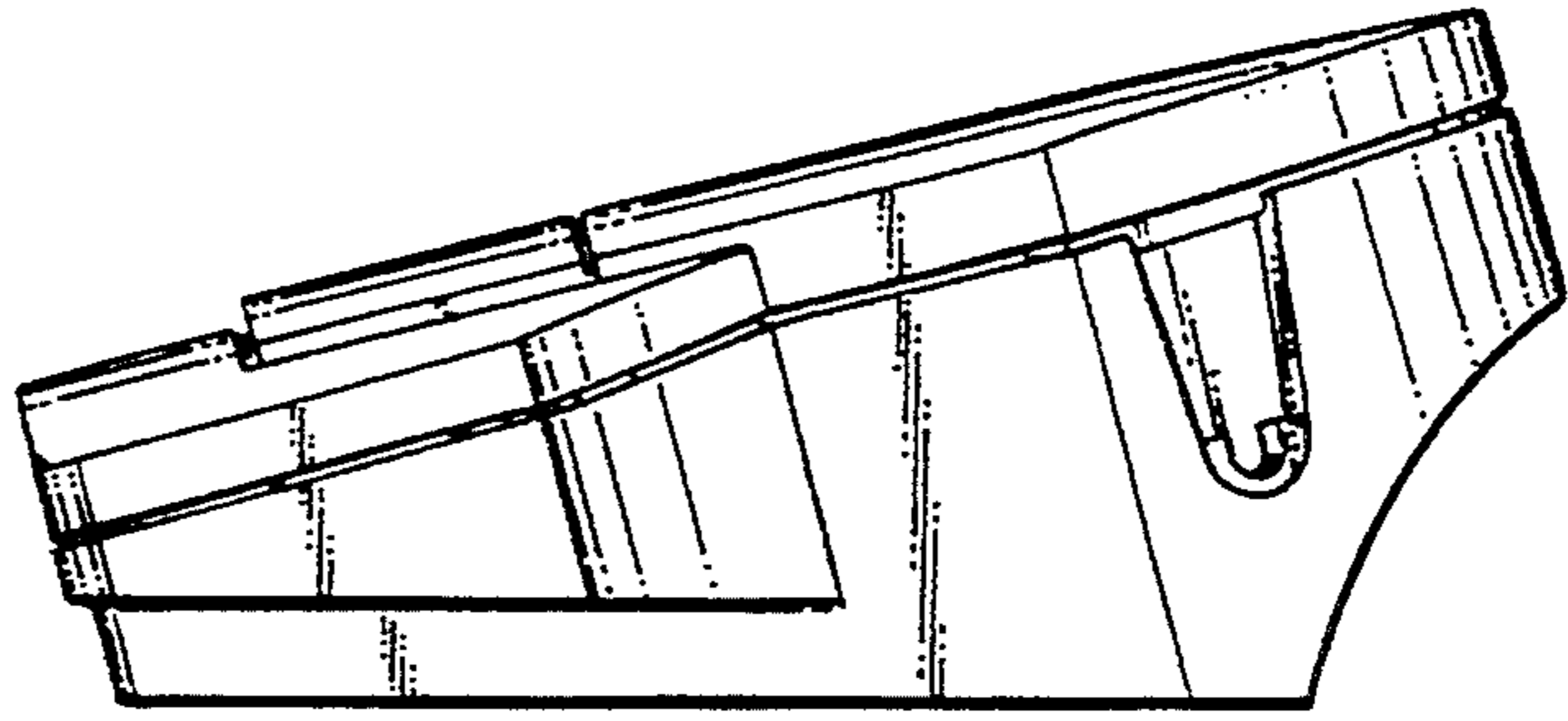


FIG. 5.

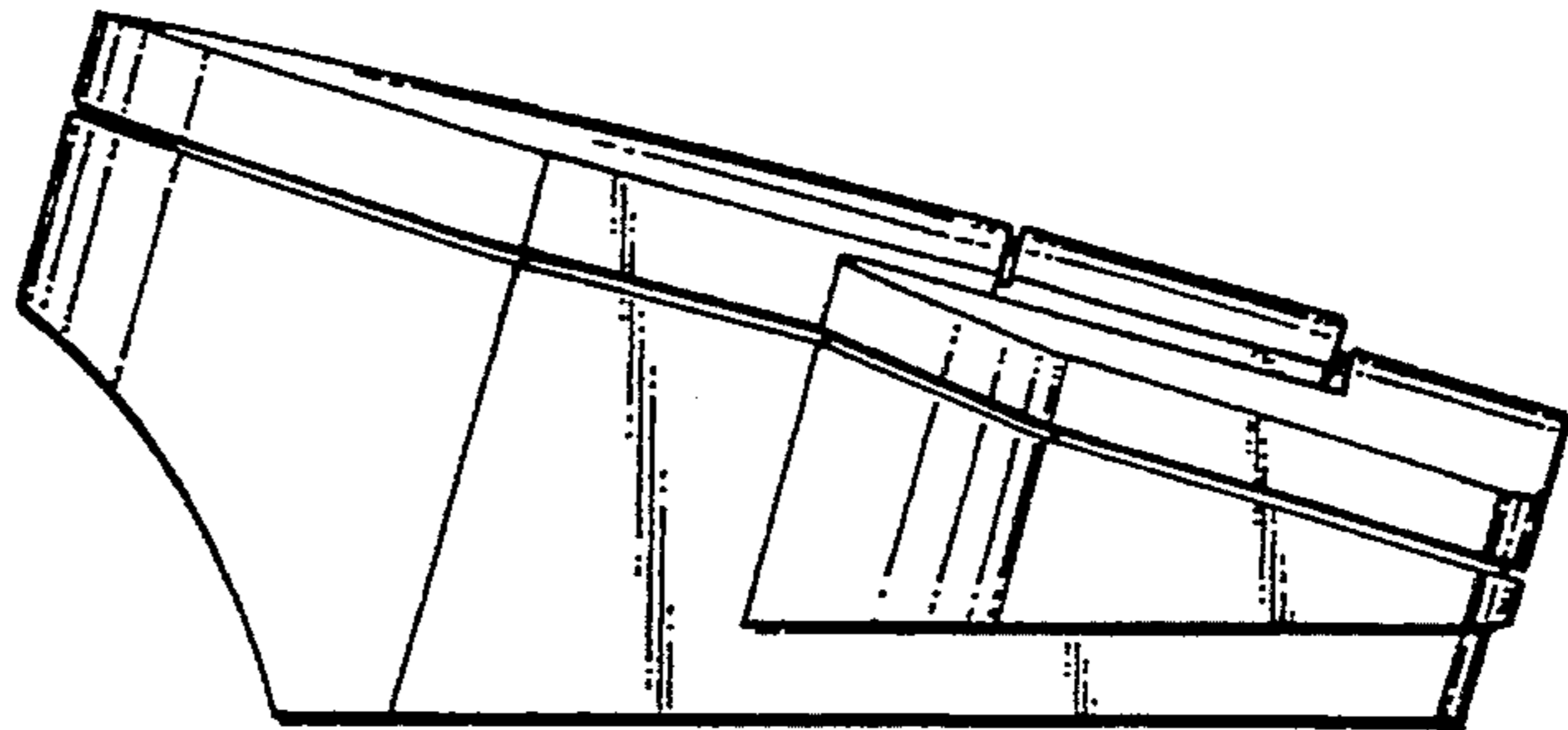


FIG. 6.

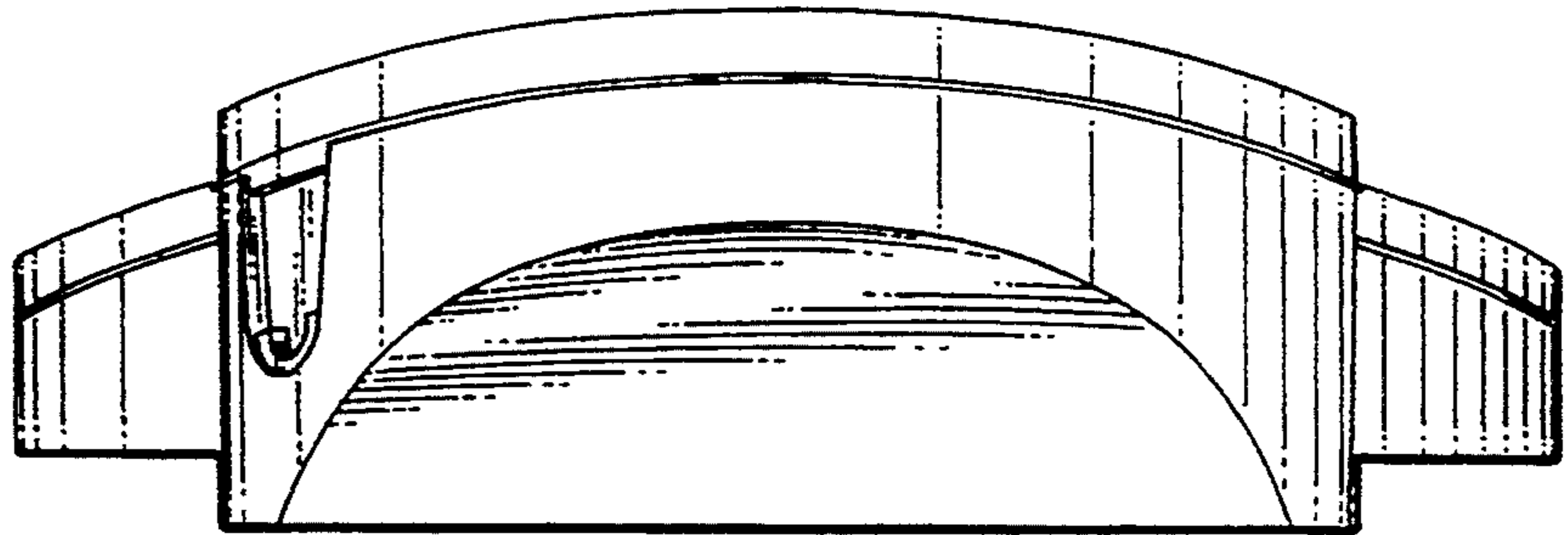


FIG. 7.

