



US00D358382S

United States Patent [19]

[11] Patent Number: **Des. 358,382**

Franz

[45] Date of Patent: **** May 16, 1995**

[54] **KEYCAP FOR POINTING AND TYPING OPERATIONS**

[76] Inventor: **Patrick J. Franz**, 1849 SE. 43rd Ave.,
Portland, Oreg. 97215

[**] Term: **14 Years**

[21] Appl. No.: **15,393**

[22] Filed: **Nov. 15, 1993**

[52] U.S. Cl. **D14/114**

[58] Field of Search D14/114, 107, 115;
400/485, 491, 491.1, 491.2, 491.3, 492-493,
493.1, 493.2, 494-495, 495.1; 345/156-167;
200/313-314, 341-345

[56] **References Cited**

U.S. PATENT DOCUMENTS

D. 311,727	10/1990	Brandt	D14/114
D. 311,913	11/1990	Schaum	D14/114
D. 319,050	8/1991	Korellis et al.	D14/114
569,196	10/1896	Graham et al.	400/491
1,333,013	3/1920	De Vignier	400/493.2 X
2,134,845	11/1938	Smith	400/491
4,068,577	7/1987	Straayer et al.	340/711
5,008,505	4/1991	Takano et al.	200/345 X
5,040,479	8/1991	Thrash	200/314 X
5,283,408	2/1994	Chen	200/345

FOREIGN PATENT DOCUMENTS

PCT/US90/-
06831 11/1990 WIPO .

OTHER PUBLICATIONS

IBM Technical Disclosure Bulletin "Smart Key", vol. 28, No. 5, Oct. 1985.

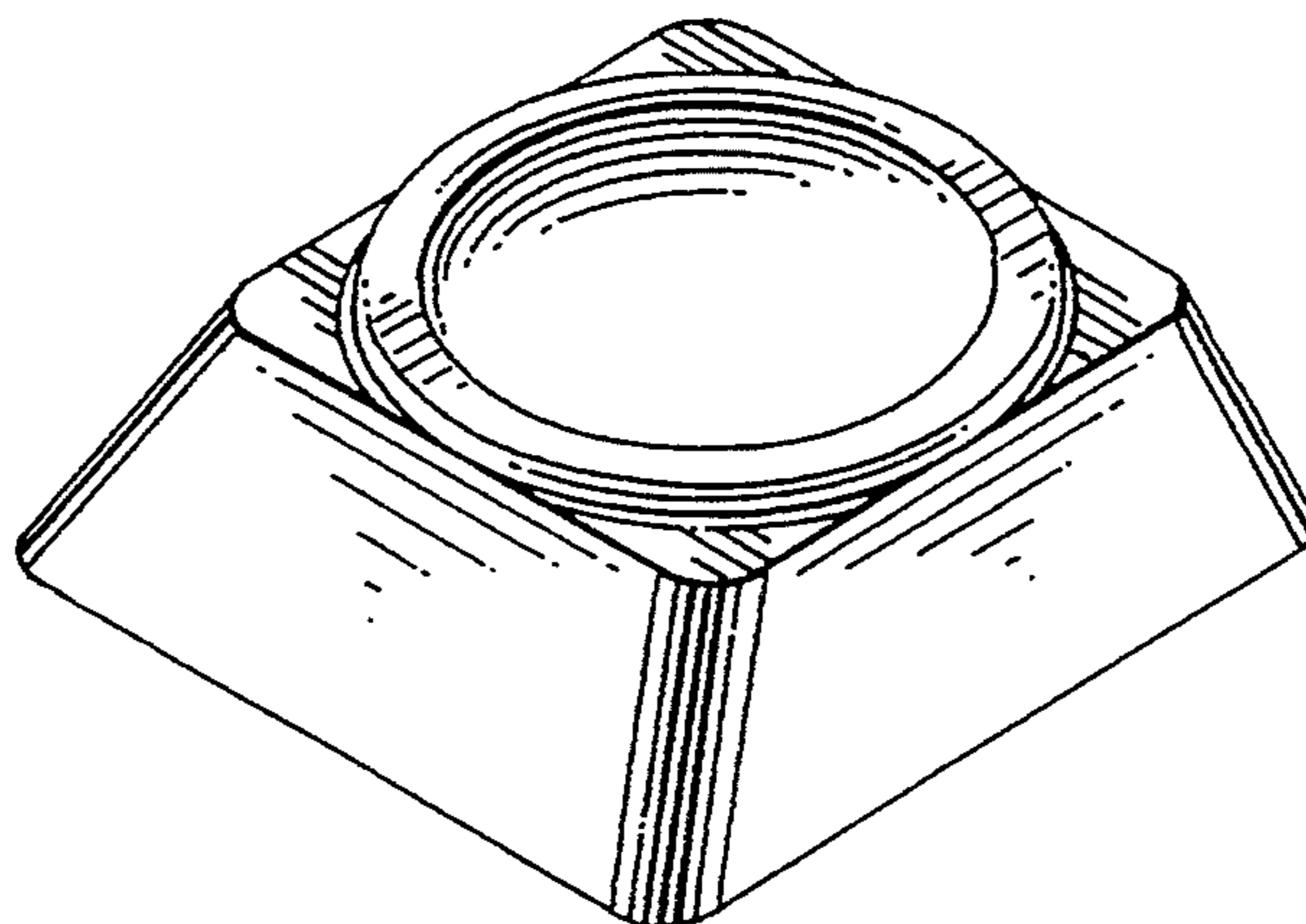
Primary Examiner—Melanie H. Tung
Attorney, Agent, or Firm—Marger Johnson McCollam & Stolowitz

[57] CLAIM

The ornamental design for a keycap for pointing and typing operations, as shown and described.

DESCRIPTION

FIG. 1 is a perspective view of a keycap for pointing and typing operations, showing my new design; FIG. 2 is a top plan view thereof, the partial broken line drawing of a keyboard is for illustrative purposes only and forms no part of the claimed design; FIG. 3 is a rear elevational view thereof; FIG. 4 is a front elevational view thereof; FIG. 5 is a right side elevational view thereof, the left side is a mirror image; and, FIG. 6 is a bottom plan view thereof.



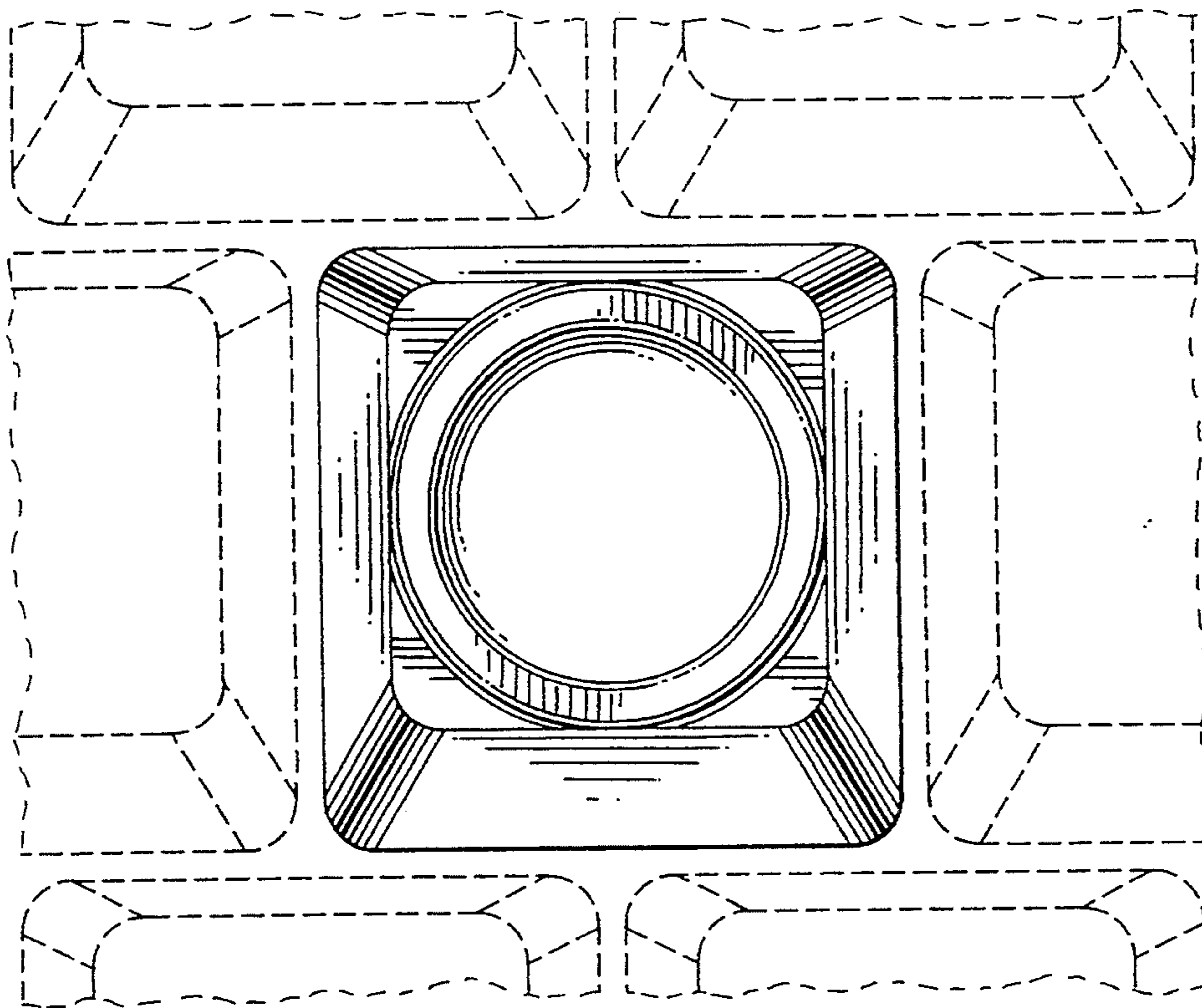


FIG. 2

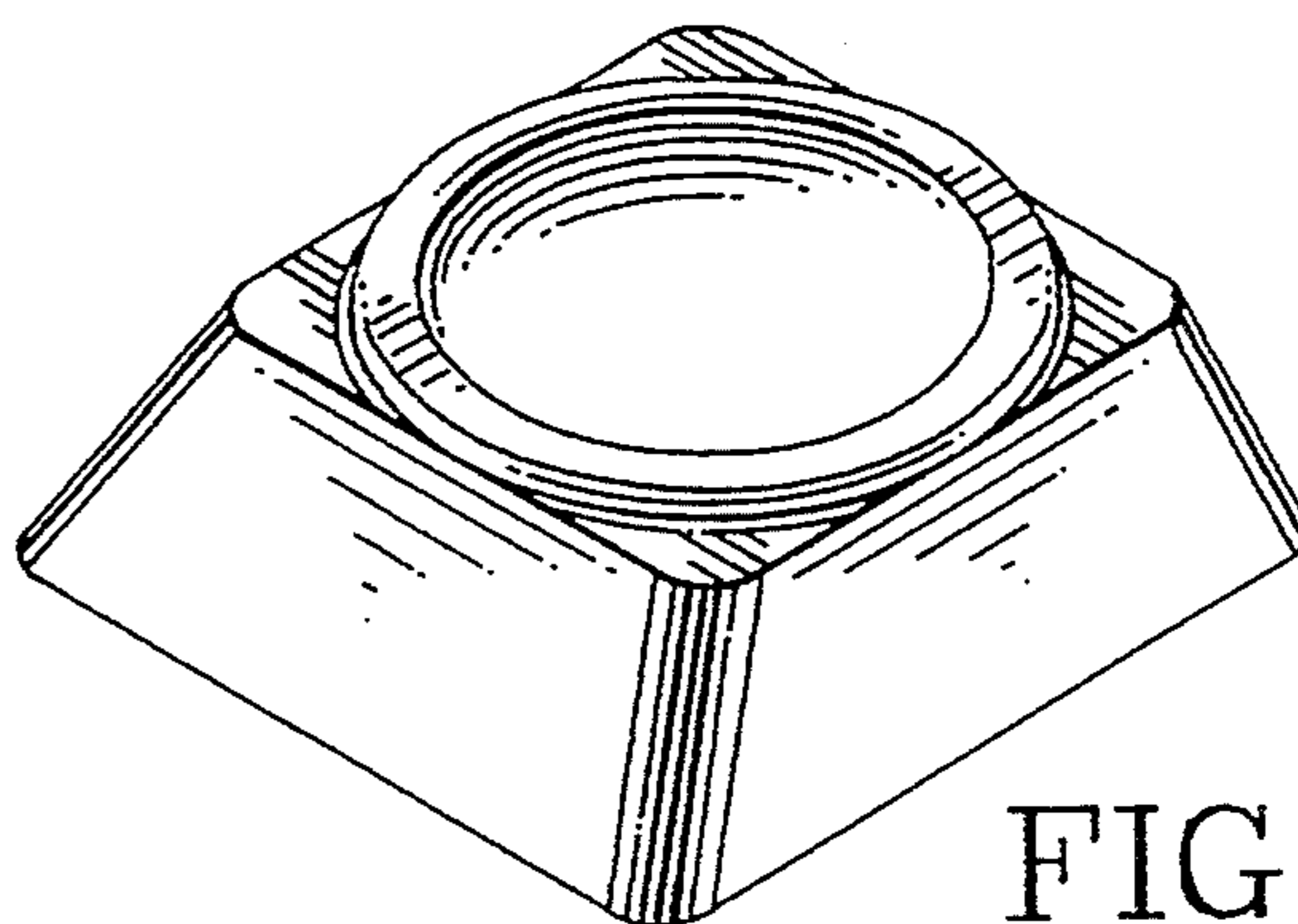


FIG. 1

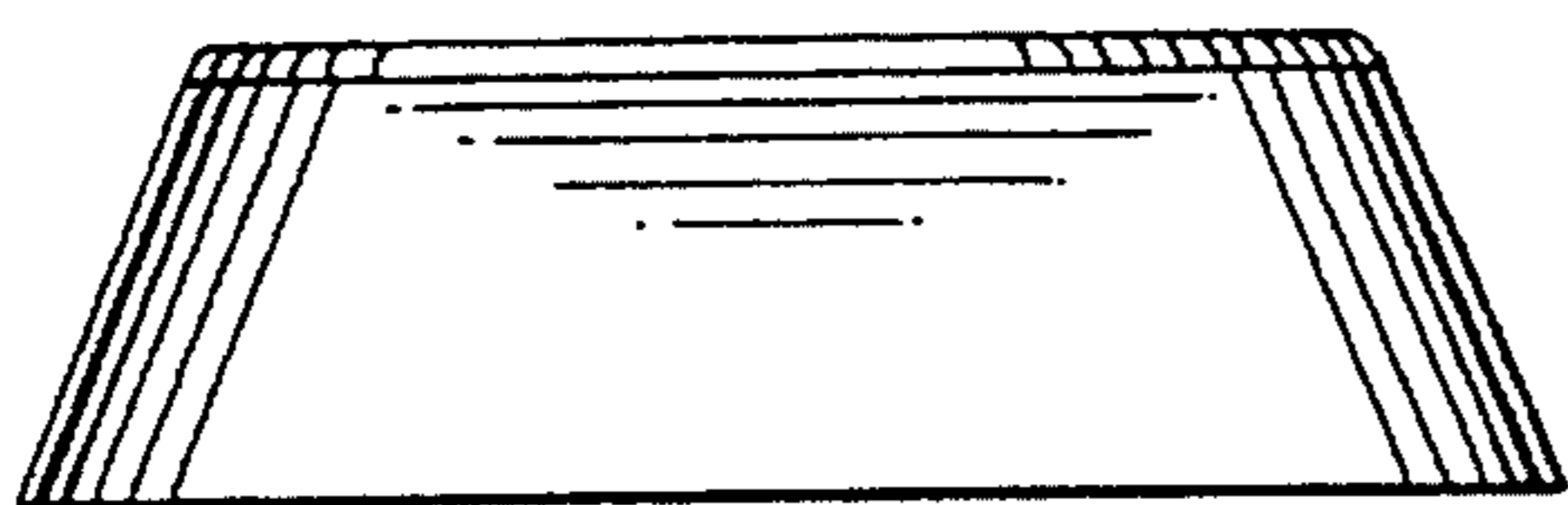


FIG. 3

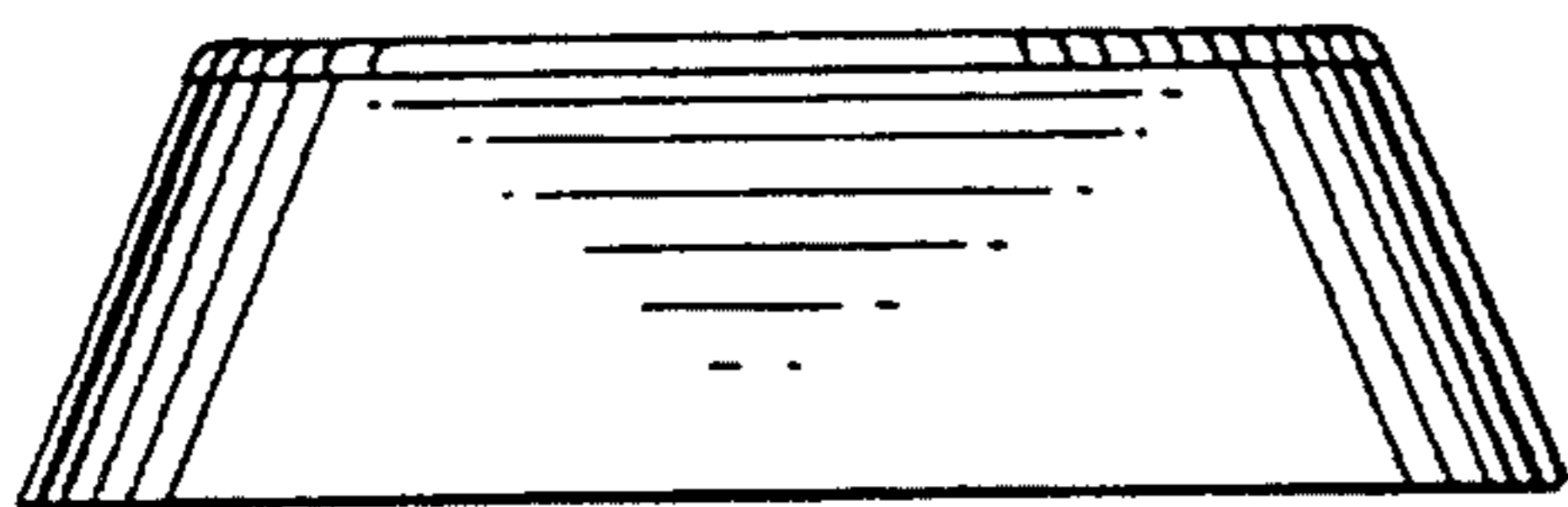


FIG. 4

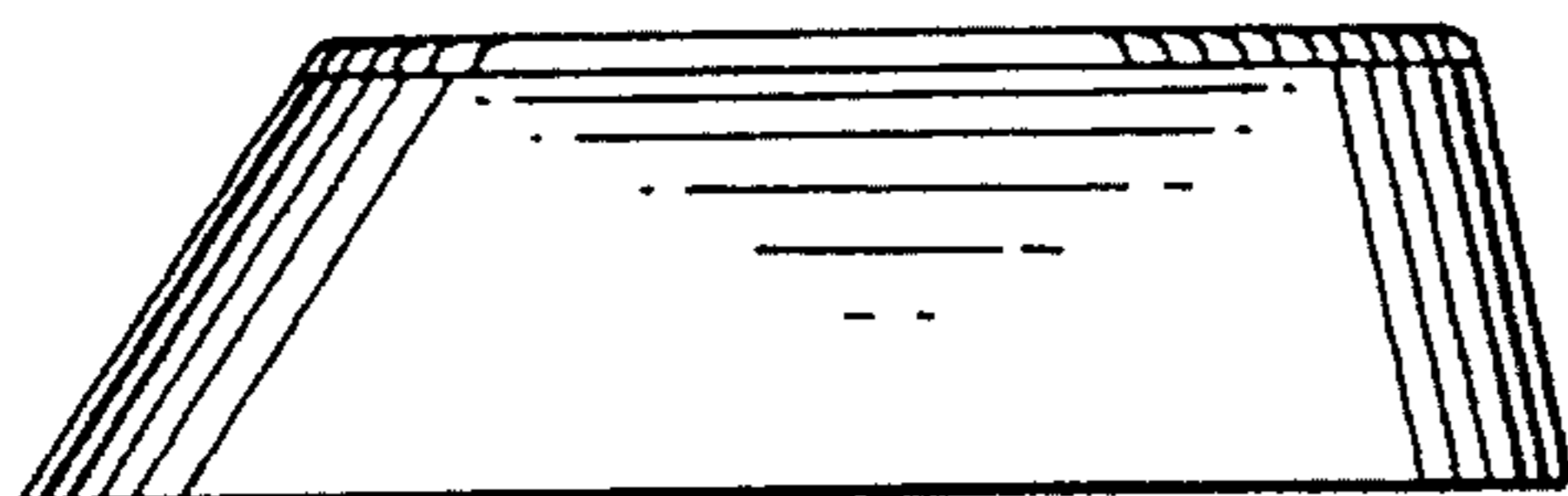


FIG. 5

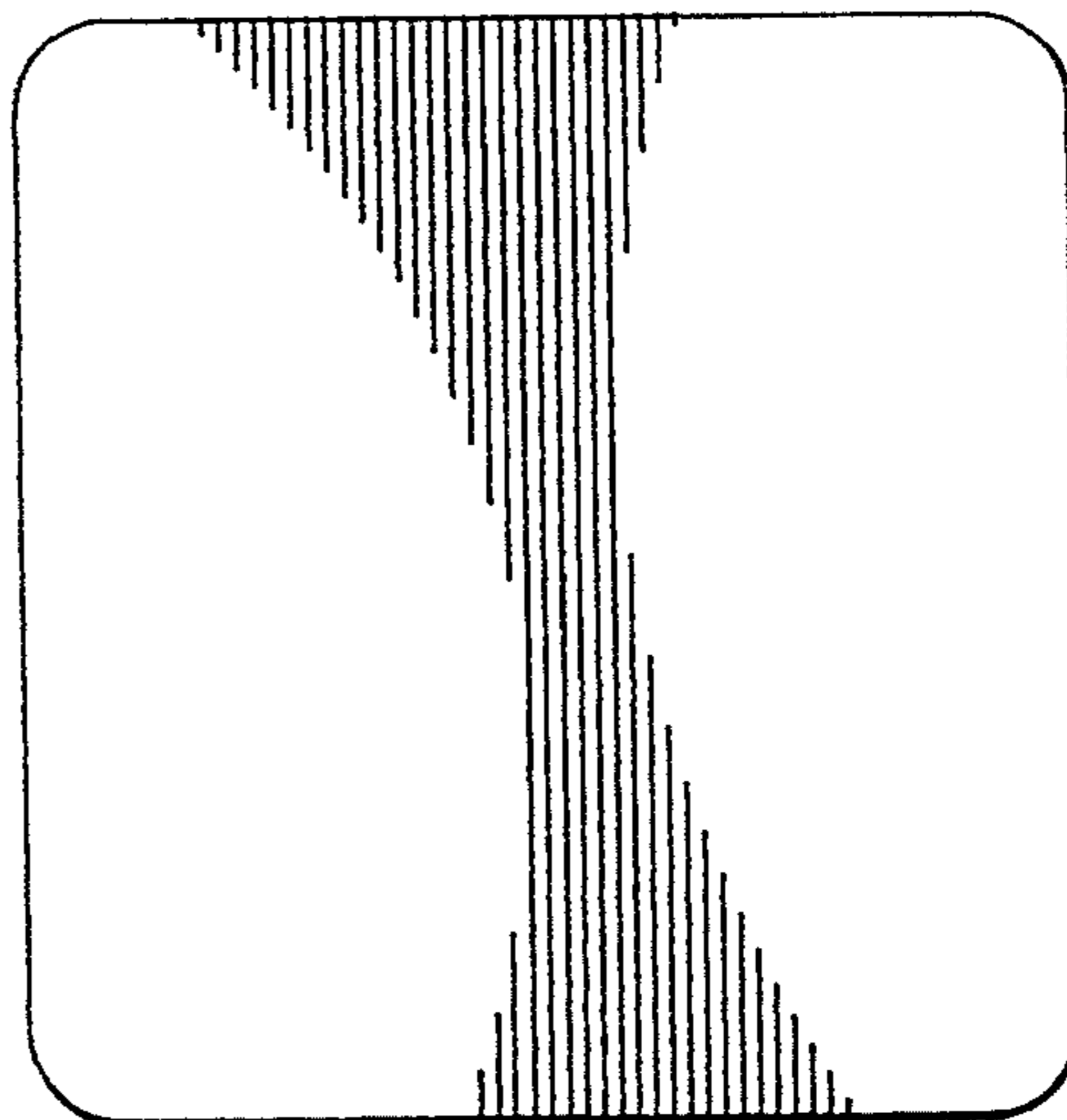


FIG. 6