



US00D358381S

United States Patent [19]

[11] Patent Number: **Des. 358,381**

Merino

[45] Date of Patent: **** May 16, 1995**

[54] **COMPUTER STAND**

[75] Inventor: **Tristan A. Merino**, Austin, Tex.

[73] Assignee: **International Business Machines Corporation**, Armonk, N.Y.

[**] Term: **14 Years**

[21] Appl. No.: **14,957**

[22] Filed: **Nov. 5, 1993**

[52] U.S. Cl. **D14/114**

[58] Field of Search **D14/114; D6/474, 429, D6/486, 466, 449, 495; 248/346, 917-924; 361/680-686, 679; D13/184, 199**

[56] **References Cited**

U.S. PATENT DOCUMENTS

- D. 290,612 6/1987 Choate et al. D14/114
- D. 305,330 1/1990 Walters, II et al. D14/114
- D. 330,021 10/1992 Kune et al. D14/114
- D. 334,921 4/1993 Basara et al. D14/114

- D. 338,882 8/1993 Reiter D14/114
- 4,852,830 8/1989 Howard et al. 248/921 X
- 4,946,127 8/1990 Kulaga 248/349 X

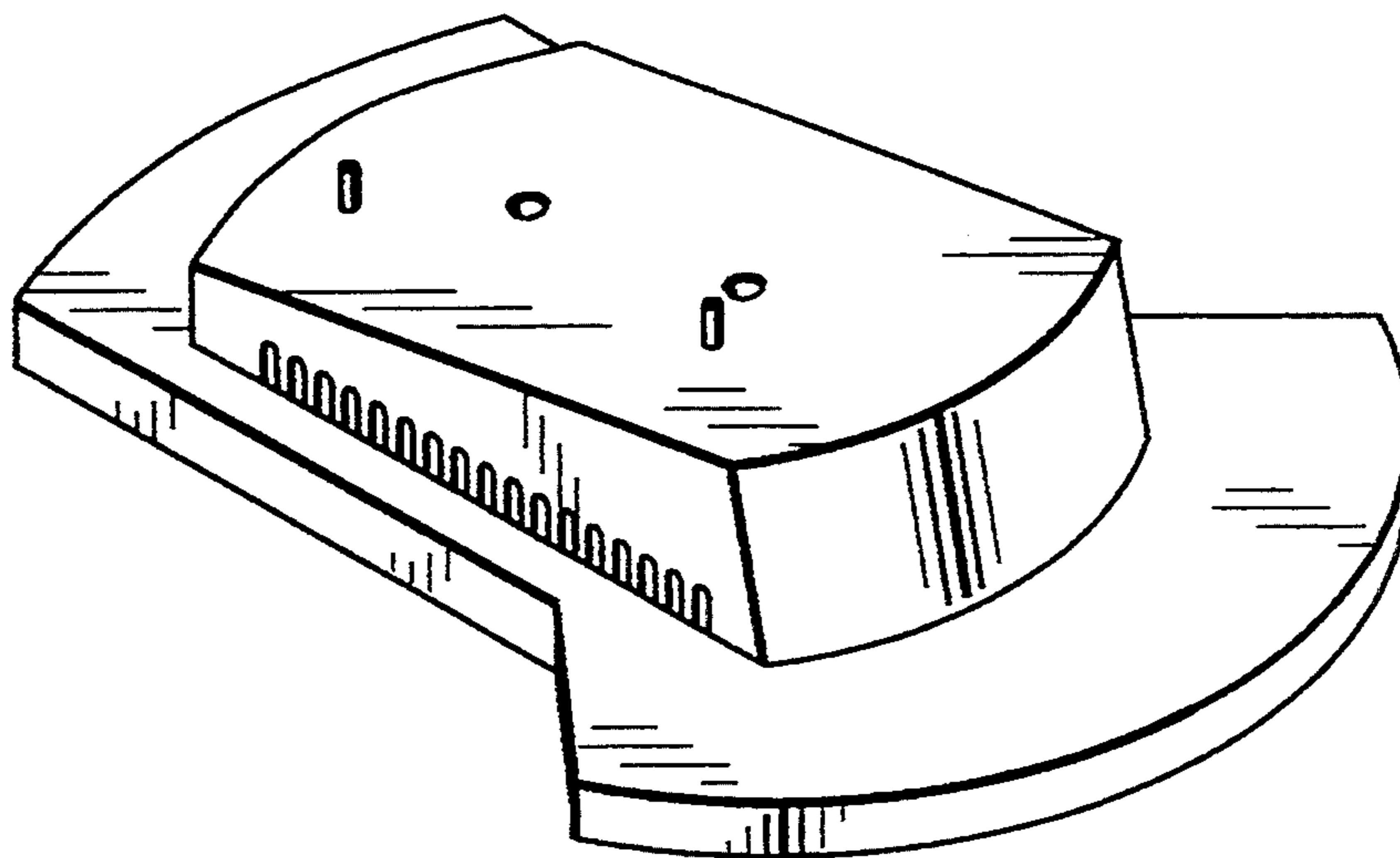
Primary Examiner—Melanie H. Tung
Attorney, Agent, or Firm—Paul S. Drake

[57] **CLAIM**

The ornamental design for the computer stand, as shown and described.

DESCRIPTION

FIG. 1 is a top plan view thereof;
 FIG. 2 is a bottom plan view thereof;
 FIG. 3 is a right side plan view thereof;
 FIG. 4 is a left side plan view thereof;
 FIG. 5 is a front plan view thereof;
 FIG. 6 is a back plan view thereof;
 FIG. 7 is a top, front, left side perspective view thereof;
 and,
 FIG. 8 is a bottom, front, left side perspective view thereof.



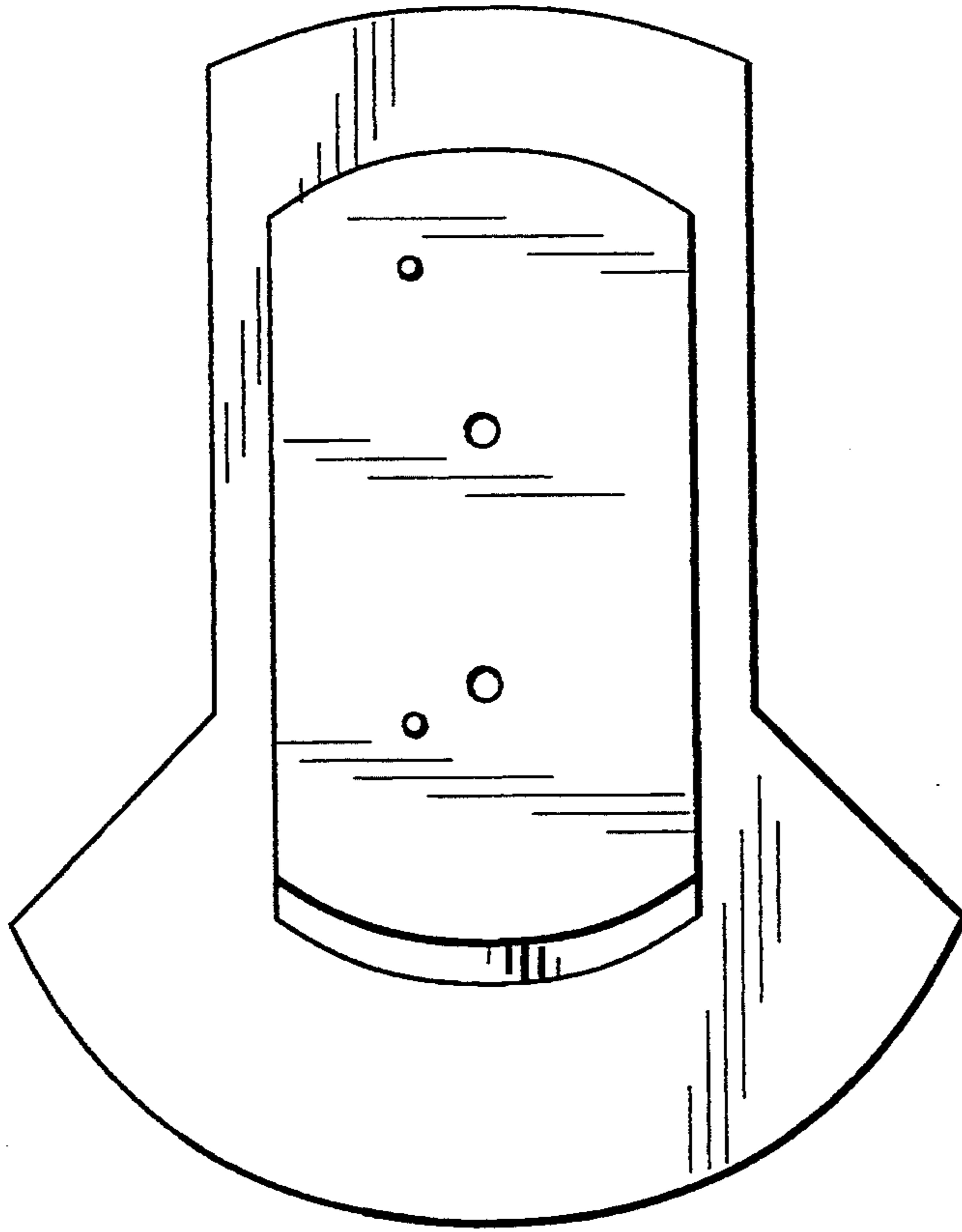


FIG. 1

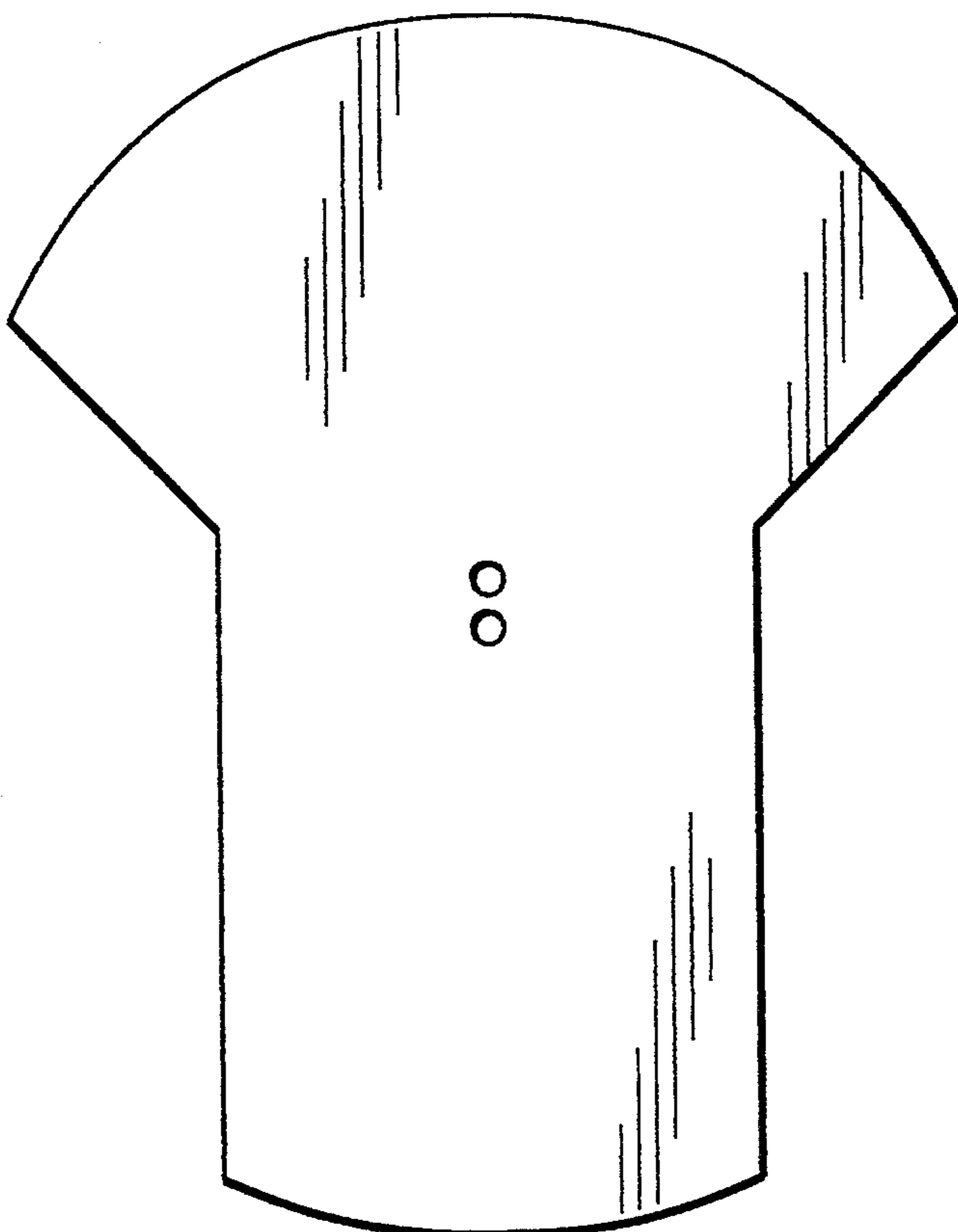


FIG. 2

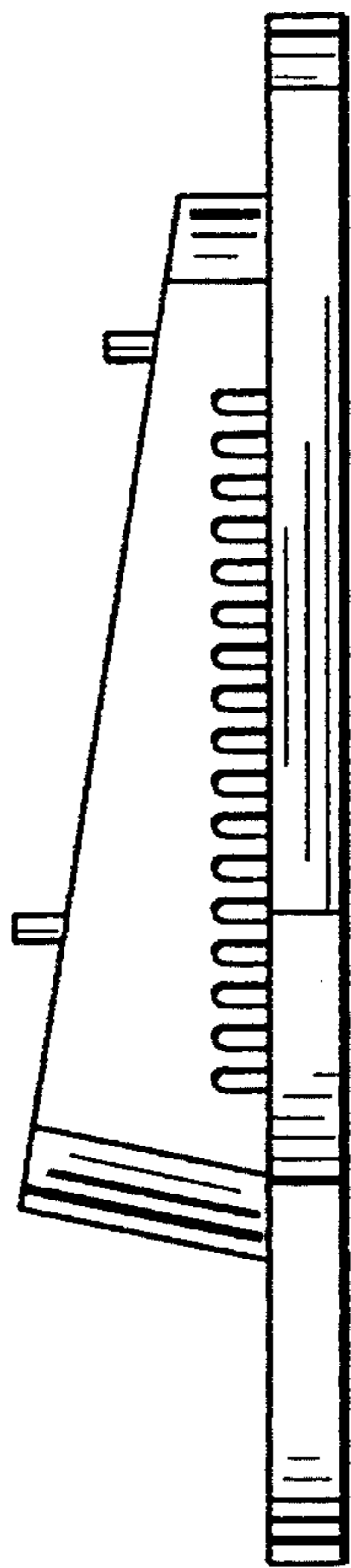


FIG. 3

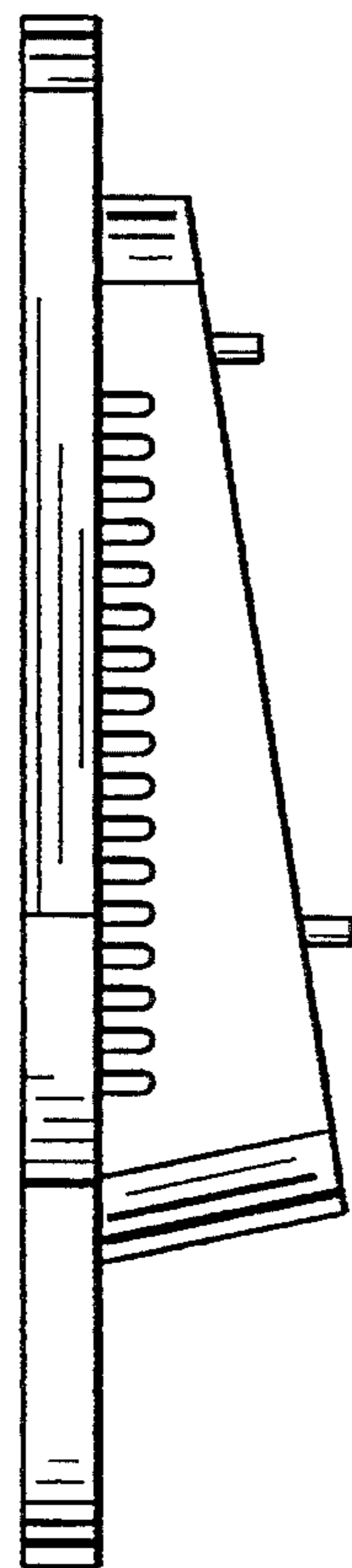


FIG. 4

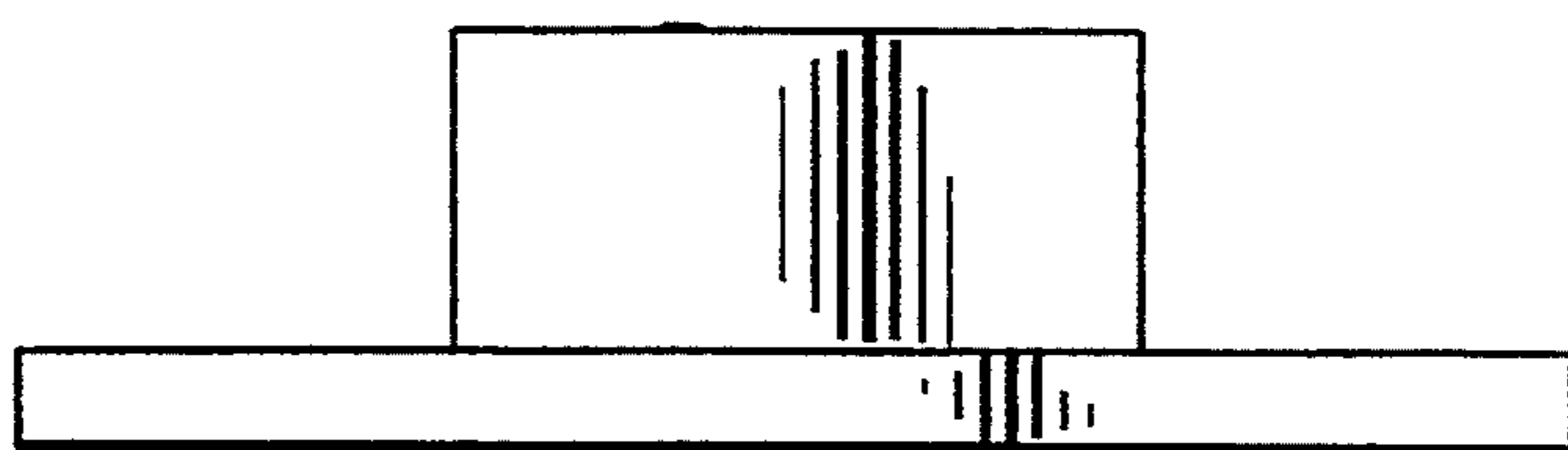


FIG. 5

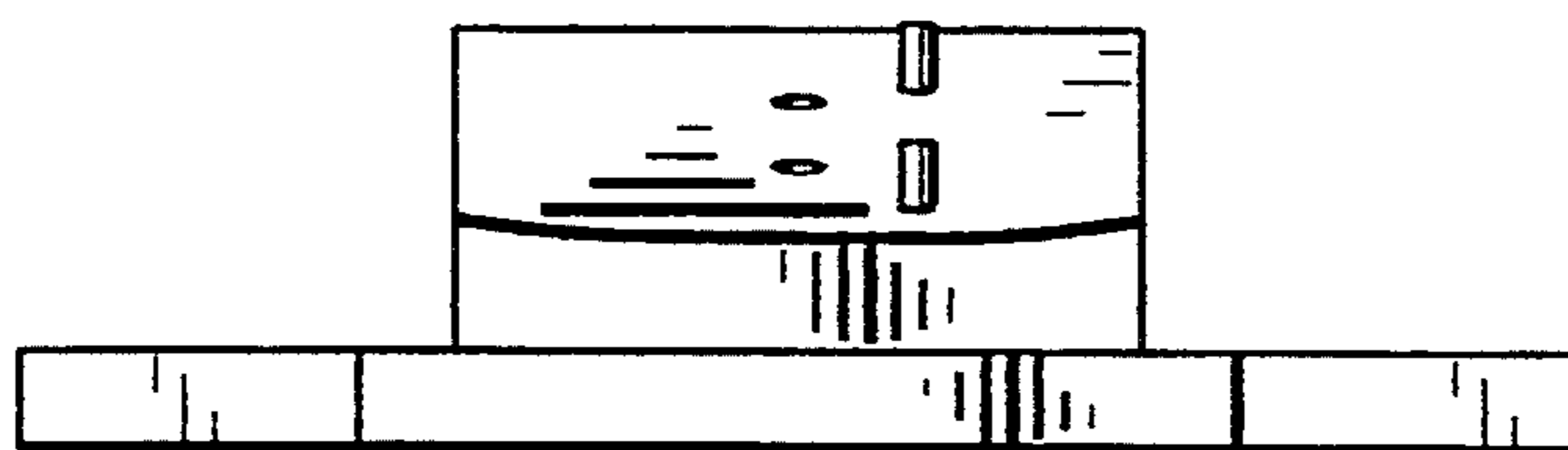


FIG. 6

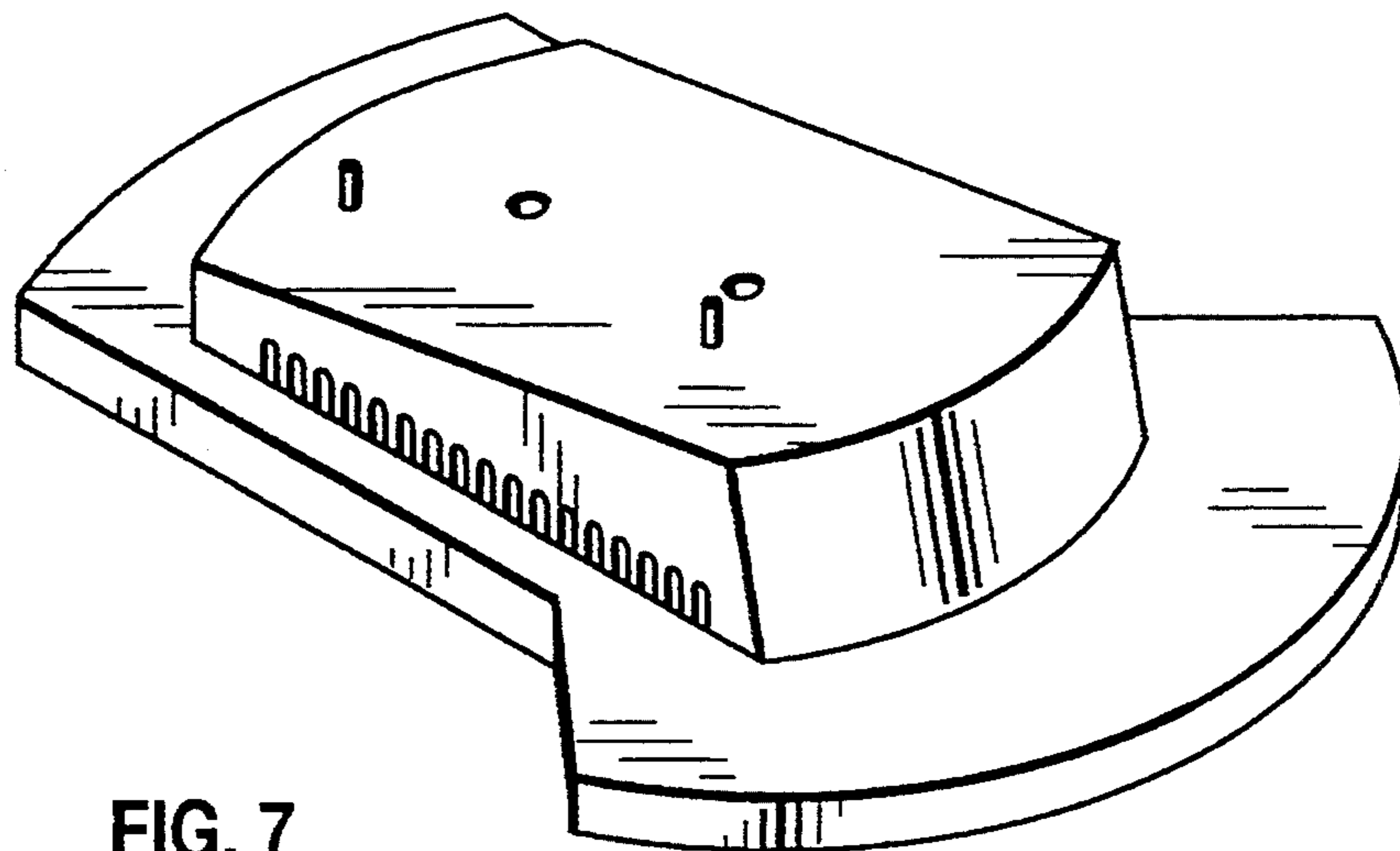


FIG. 7

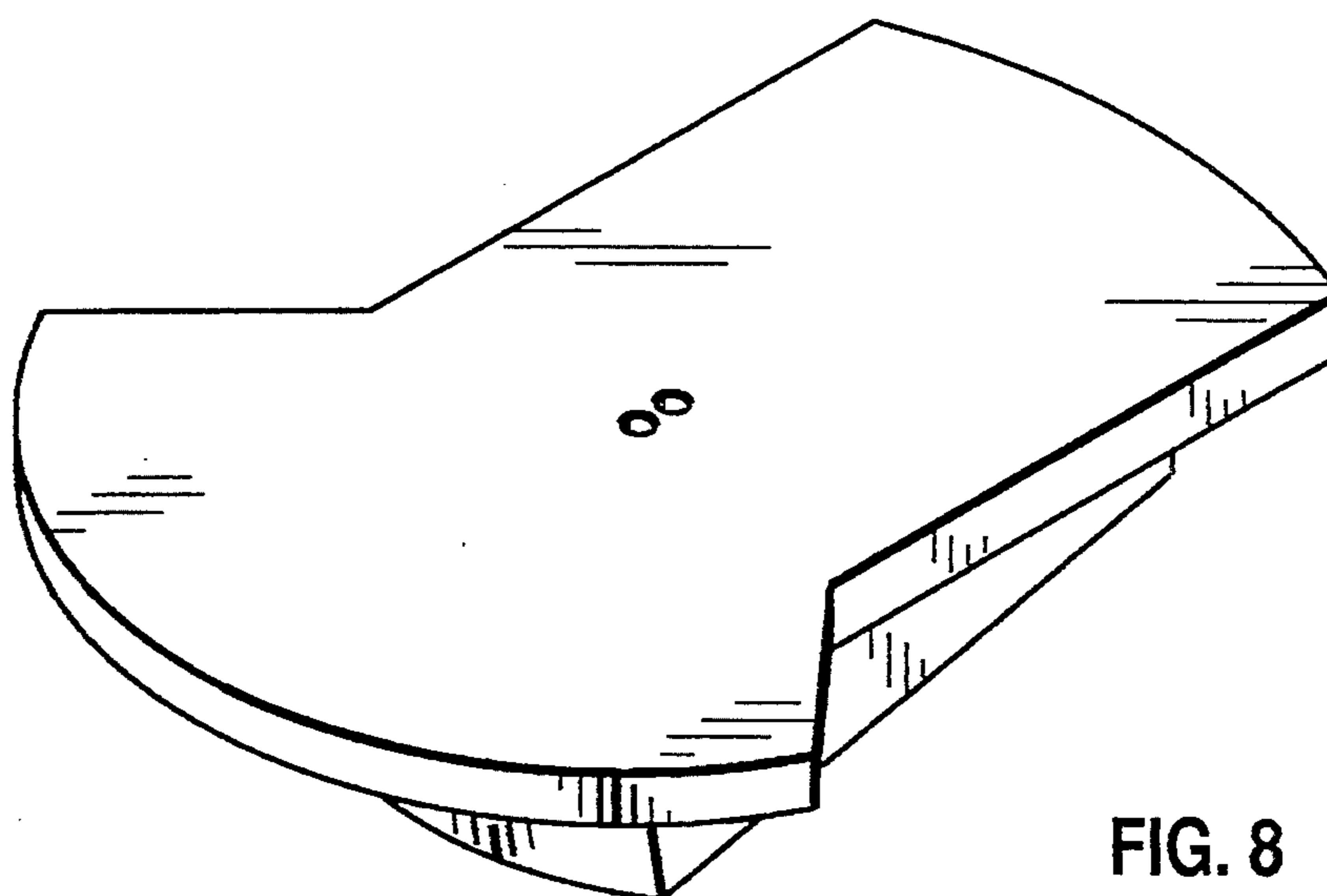


FIG. 8