



US00D358377S

United States Patent [19]

[11] Patent Number: Des. 358,377

Hasegawa

[45] Date of Patent: \*\* May 16, 1995

[54] IMAGE SCANNER

[75] Inventor: Fumio Hasegawa, Nagoya, Japan

[73] Assignee: Elmo Company, Limited, Nagoya, Japan

[\*\*] Term: 14 Years

[21] Appl. No.: 16,866

[22] Filed: Dec. 27, 1993

[30] Foreign Application Priority Data

Jun. 29, 1993 [JP] Japan ..... 5-20133

[52] U.S. Cl. .... D14/107; D16/208

[58] Field of Search ..... D14/100, 105, 107; D16/208, 214, 223, 232; D18/36, 37, 39; 250/566, 568, 569; 235/454, 462, 470, 380, 382, 382.5, 476, 482, 483, 441; 348/373-376; 358/408, 472, 474, 497, 228, 254; 355/64, 65, 75, 231, 233

[56] References Cited

U.S. PATENT DOCUMENTS

- D. 276,815 12/1984 Kando et al. .... D18/39
- D. 308,222 5/1990 Sano et al. .... D18/36
- D. 323,819 2/1992 Iimura ..... D14/107
- D. 327,672 7/1992 Iimura ..... D14/107
- D. 342,272 12/1993 Saito et al. .... D16/214 X
- 4,825,295 4/1989 Ishikawa et al. .... 358/254
- 4,963,986 10/1990 Fukuyama et al. .... D14/107 X
- 5,027,219 6/1991 Stuttler et al. .... 358/228

FOREIGN PATENT DOCUMENTS

- 804021 3/1986 Japan .
- 797480 4/1988 Japan .
- 804117 5/1988 Japan .
- 853176 9/1988 Japan .
- 867290 3/1989 Japan .
- 854957 9/1990 Japan .

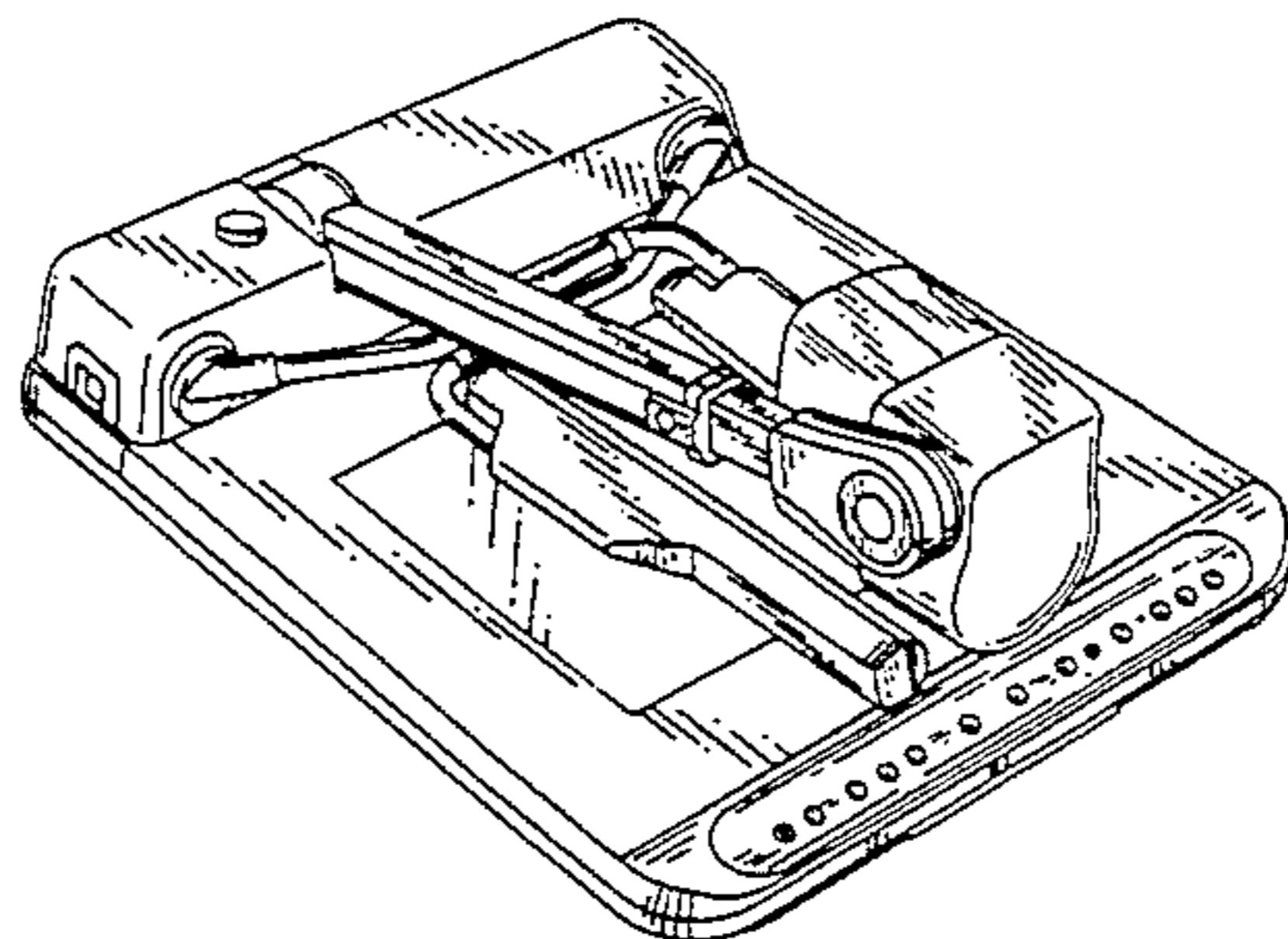
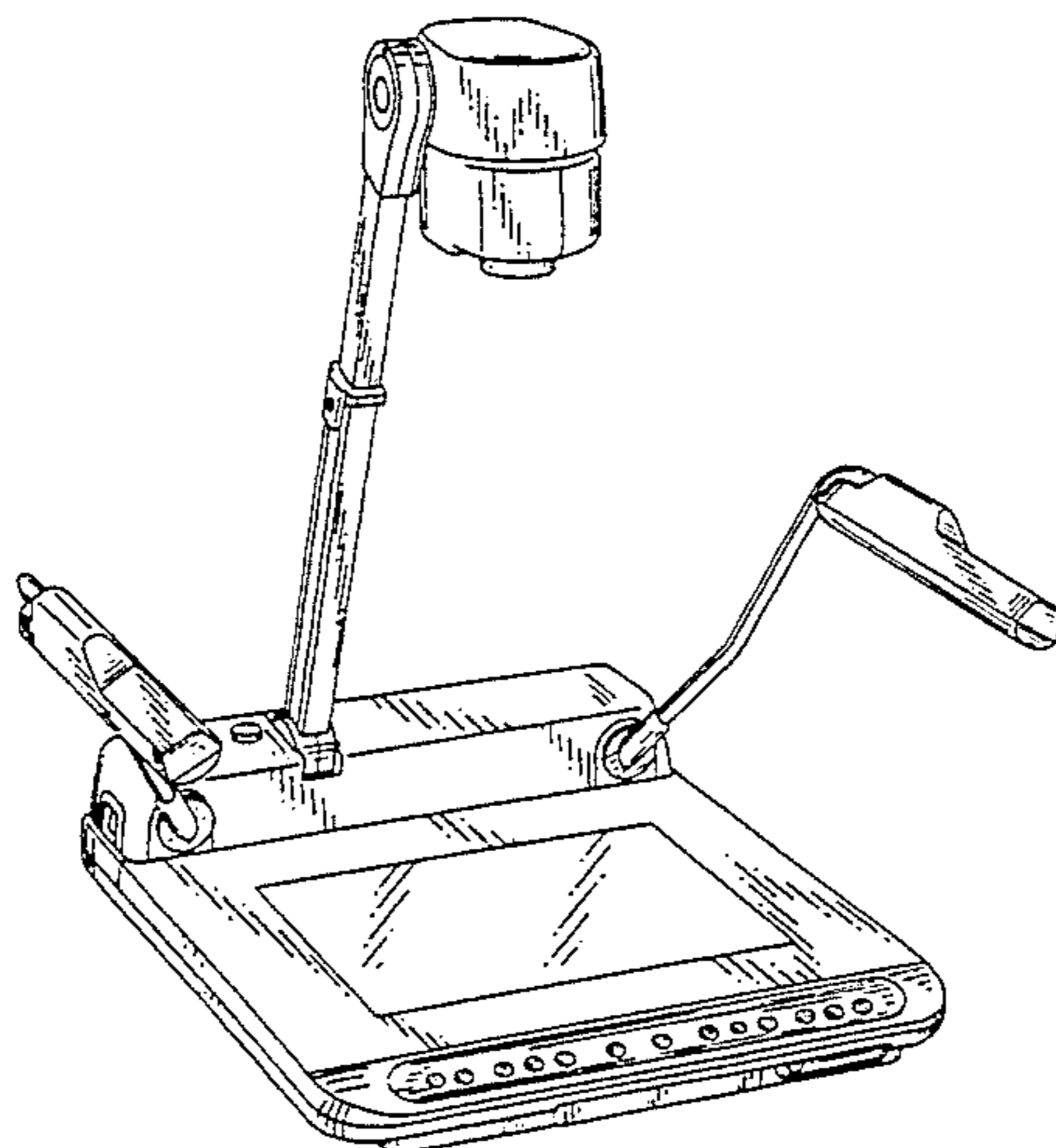
Primary Examiner—Freda S. Nunn  
Attorney, Agent, or Firm—Ostrolenk, Faber, Gerb & Soffen

[57] CLAIM

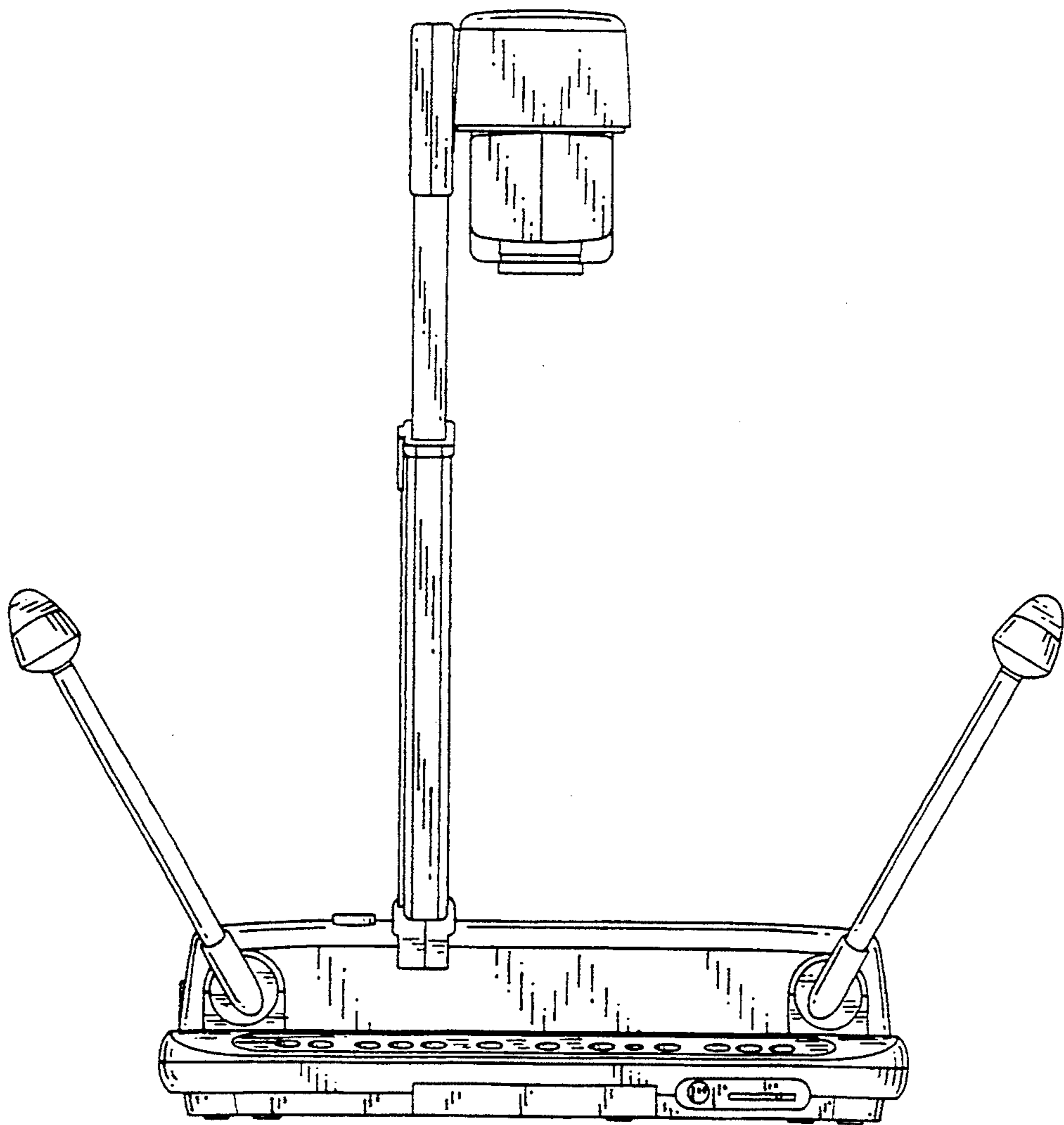
The ornamental design for an image scanner, as shown and described.

DESCRIPTION

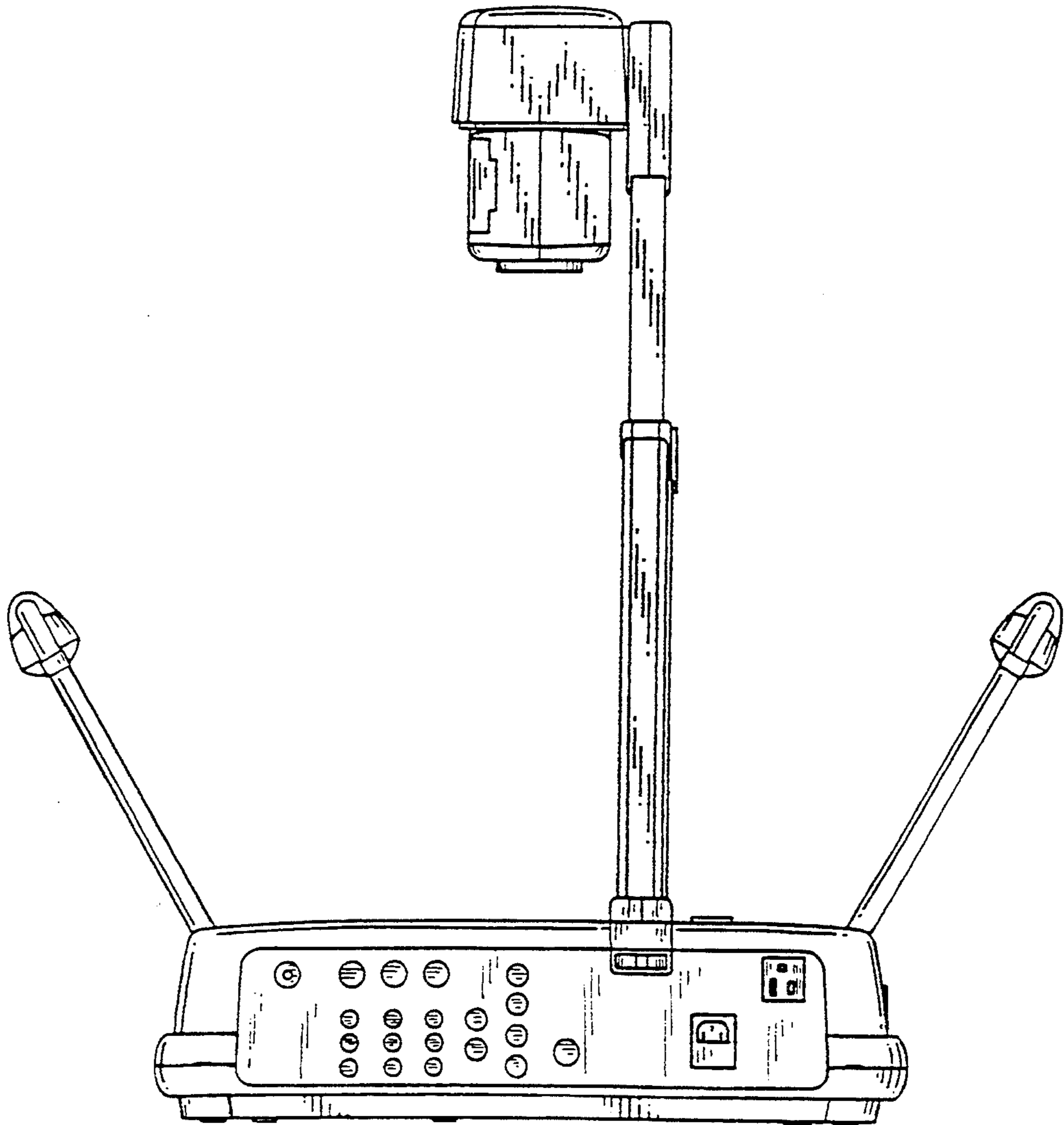
FIG. 1 is a front view of the image scanner embodying my new design;  
 FIG. 2 is a rear view thereof;  
 FIG. 3 is a left side view thereof;  
 FIG. 4 is a right side view thereof;  
 FIG. 5 is a bottom side view thereof;  
 FIG. 6 is a top plan view thereof;  
 FIG. 7 is a perspective view as seen from the top and front of present FIG. 6;  
 FIG. 8 is a perspective view with the upper part of the support arm being pushed back into the lower part of the support arm as seen from the top and front; and,  
 FIG. 9 is a perspective view with all the parts being folded as seen from the top and front.



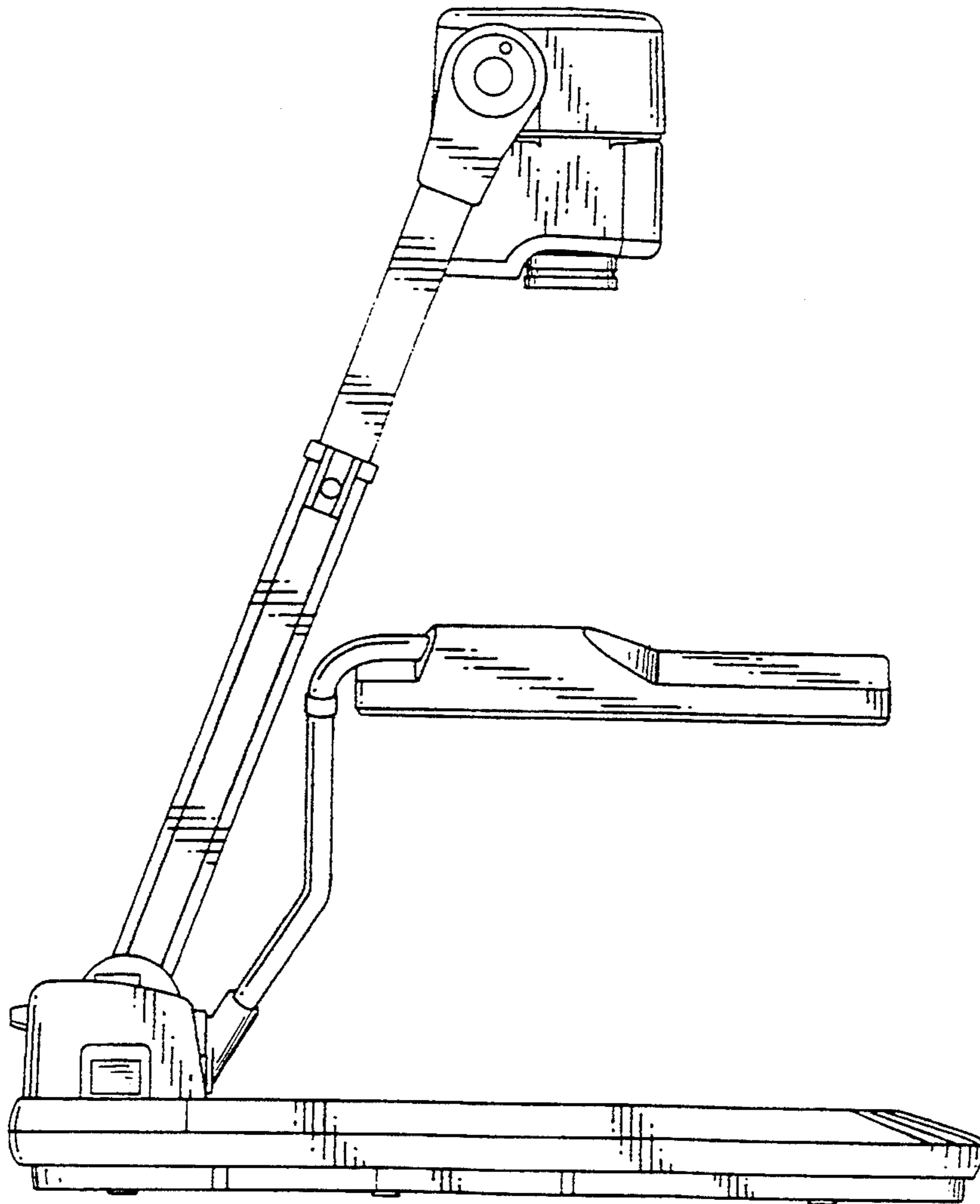
F i g . 1



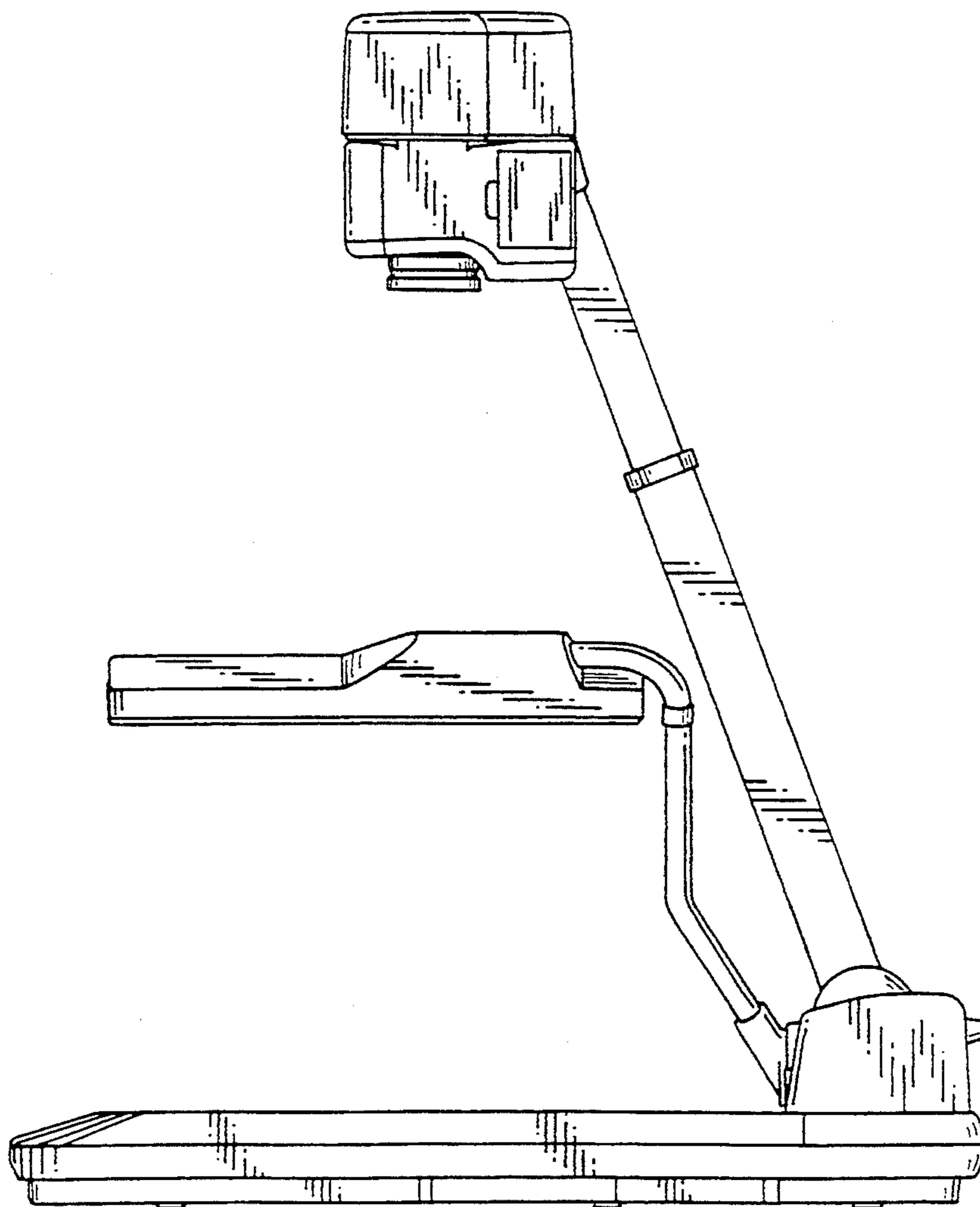
F i g . 2



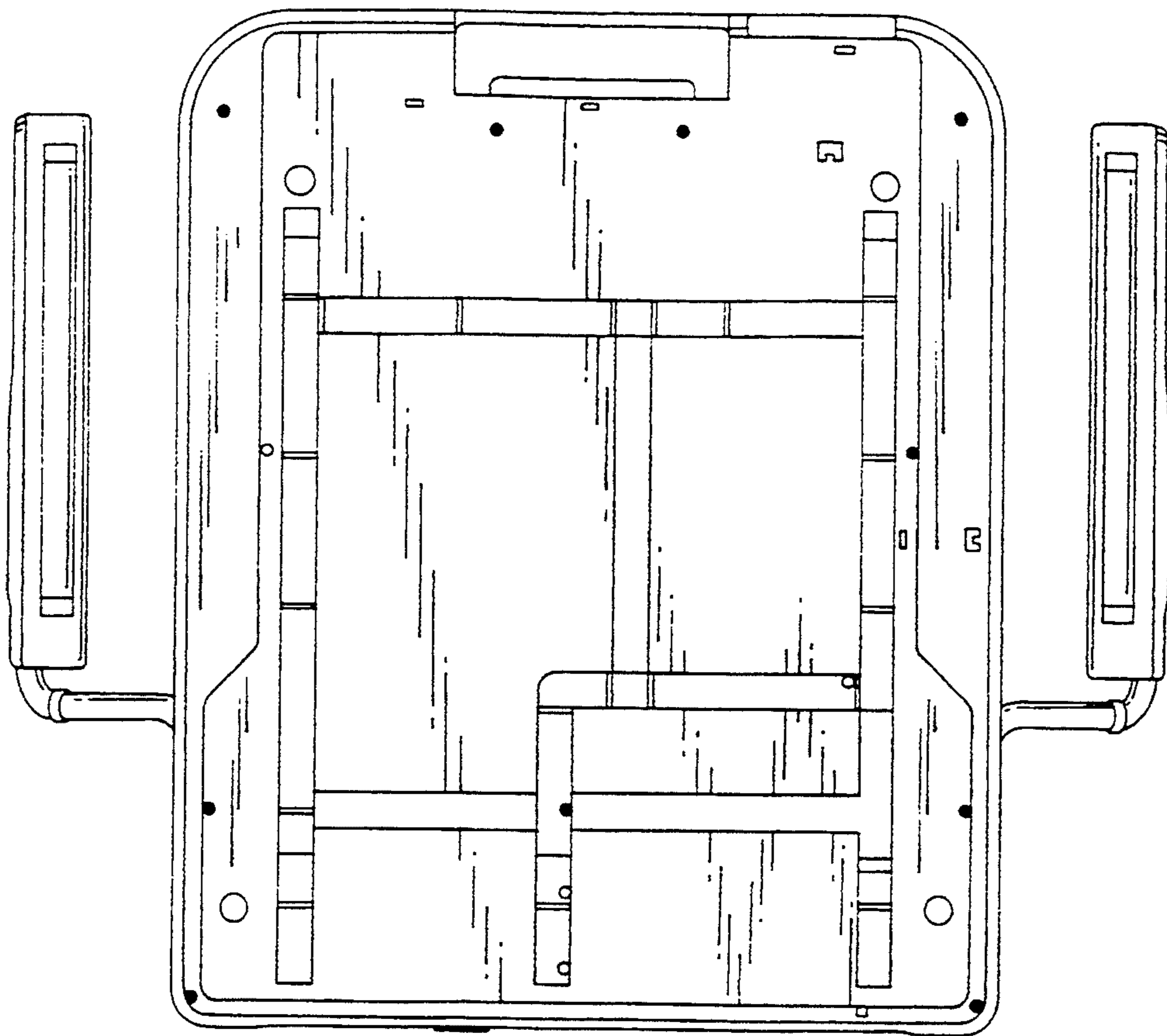
F i g . 3



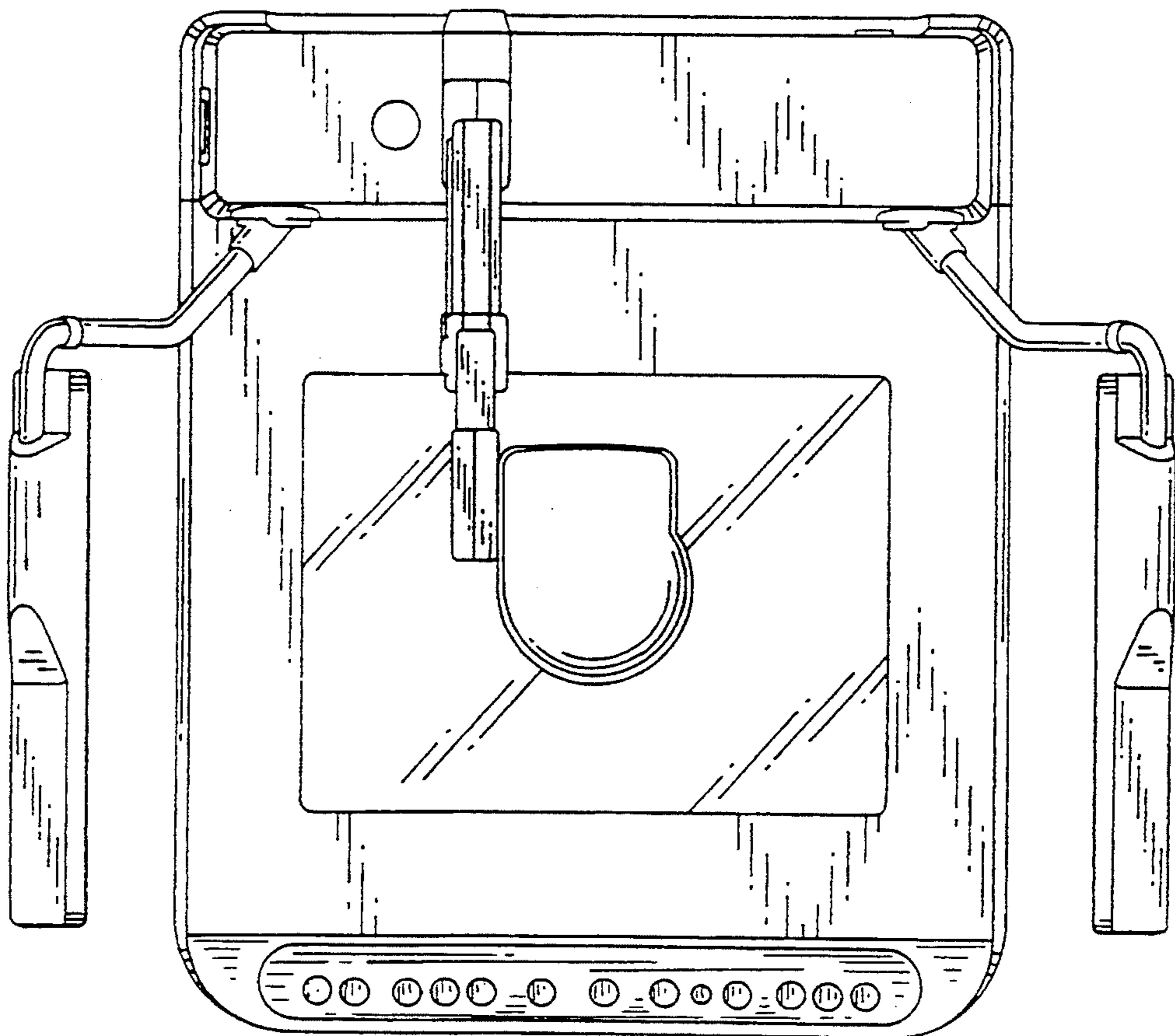
F i g . 4



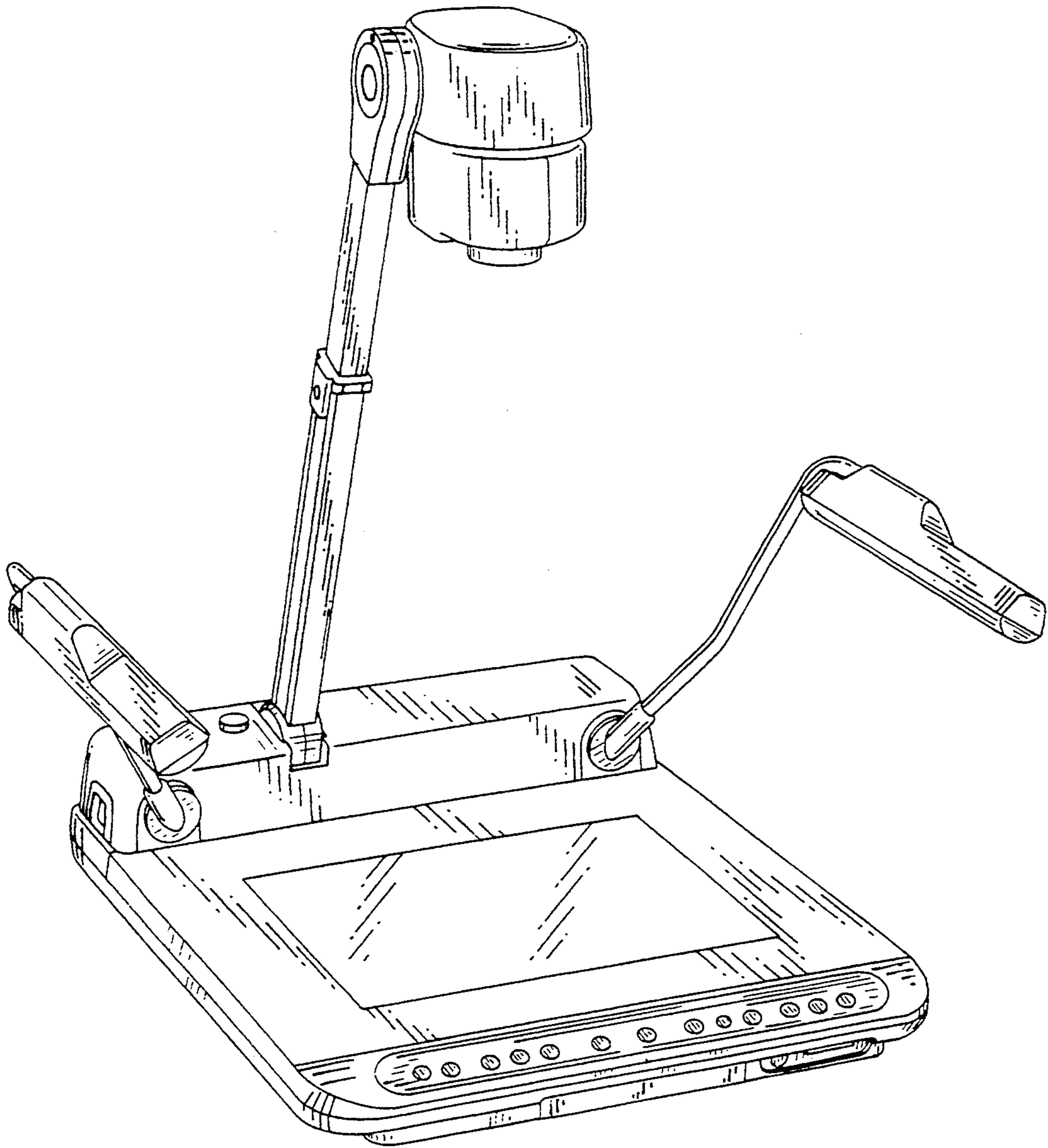
F i g . 5



F i g . 6

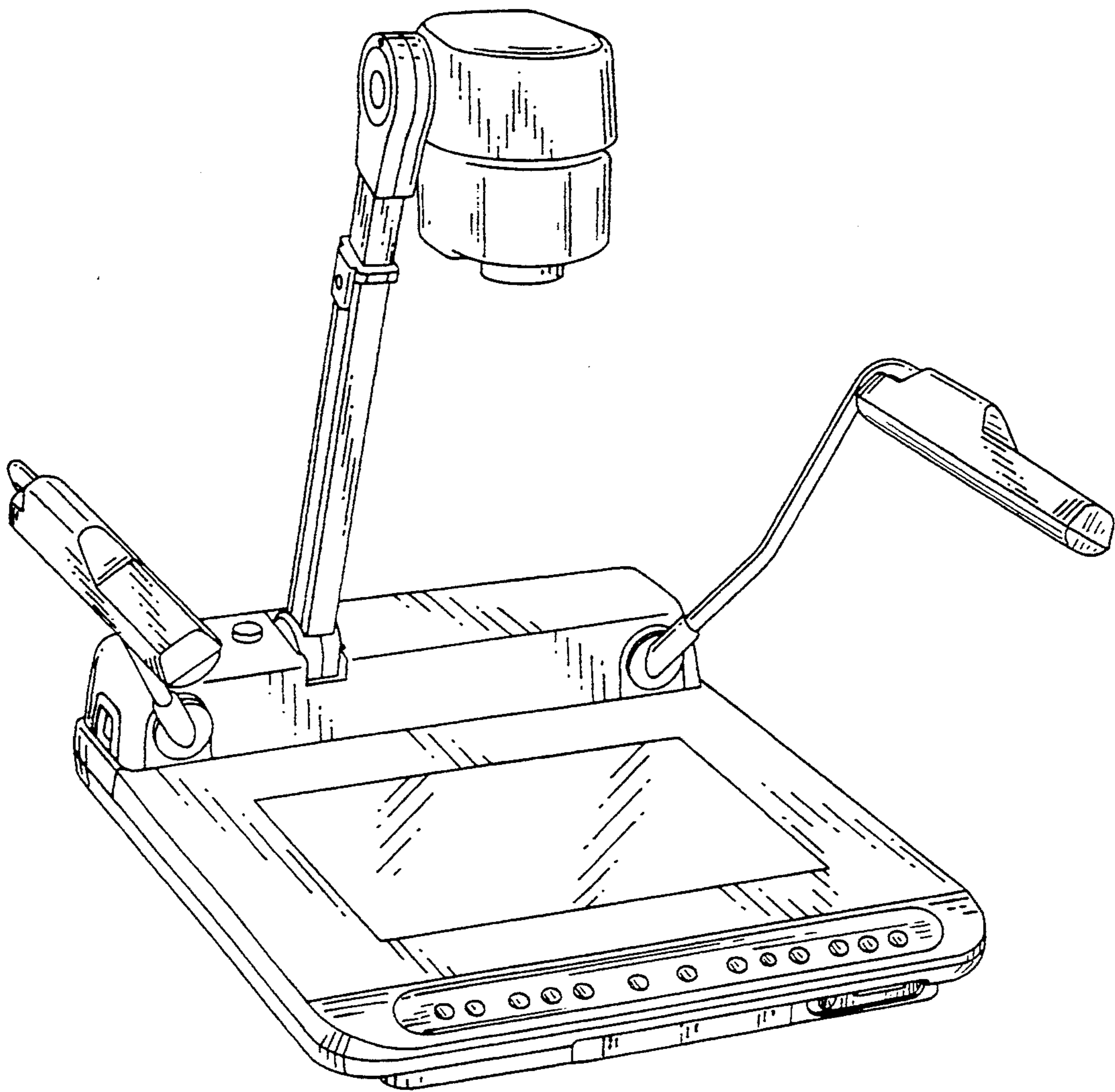


F i g . 7





F i g . 8



F i g . 9

