



US00D358376S

# United States Patent [19]

[11] Patent Number: **Des. 358,376**

Poon

[45] Date of Patent: **\*\* May 16, 1995**

[54] **ELECTRONIC APPARATUS HOUSING**

[75] Inventor: **Terence T. W. Poon**, Tai Po, Hong Kong

[73] Assignee: **Vtech Industries, Inc.**, Wheeling, Ill.

[\*\*] Term: **14 Years**

[21] Appl. No.: **15,226**

[22] Filed: **Nov. 10, 1993**

[52] U.S. Cl. .... **D14/106; D19/60**

[58] Field of Search ..... **D14/100, 101, 106, 113, D14/115, 124-127, 129; D18/1, 2, 7, 11, 12; D19/60, 62, 59; 235/145 A, 145 R; 345/104, 156, 168, 173, 87, 901-905; 361/679-686; 364/708.1, 709.04, 709.12**

### [56] **References Cited**

#### **U.S. PATENT DOCUMENTS**

- D. 330,048 10/1992 Cheung et al. .... D19/60
- D. 334,738 4/1993 Kim ..... D14/106
- D. 336,915 6/1993 Chen ..... D18/7
- D. 349,299 8/1994 Fok ..... D19/60

*Primary Examiner*—Freda S. Nunn  
*Attorney, Agent, or Firm*—Dick and Harris

### [57] **CLAIM**

The ornamental design for an electronic apparatus housing, as shown and described.

### **DESCRIPTION**

FIG. 1 is a top perspective view closed of the electronic apparatus housing, showing my new design;  
 FIG. 2 is a top perspective view open thereof the broken lines being shown for illustrative purposes only and form no part of the claimed design;  
 FIG. 3 is a top plan view closed thereof;  
 FIG. 4 is a bottom view thereof;  
 FIG. 5 is a front elevation closed thereof;  
 FIG. 6 is a rear elevation thereof;  
 FIG. 7 is a left side elevation closed thereof;  
 FIG. 8 is a left side elevation open thereof; and,  
 FIG. 9 is a greatly enlarged fragmentary sectional view of the surface of the lower right corner of the upper portion of the housing, as seen in FIG. 2 taken along line 9—9.

The right side of the design is a mirror-image of the left side.

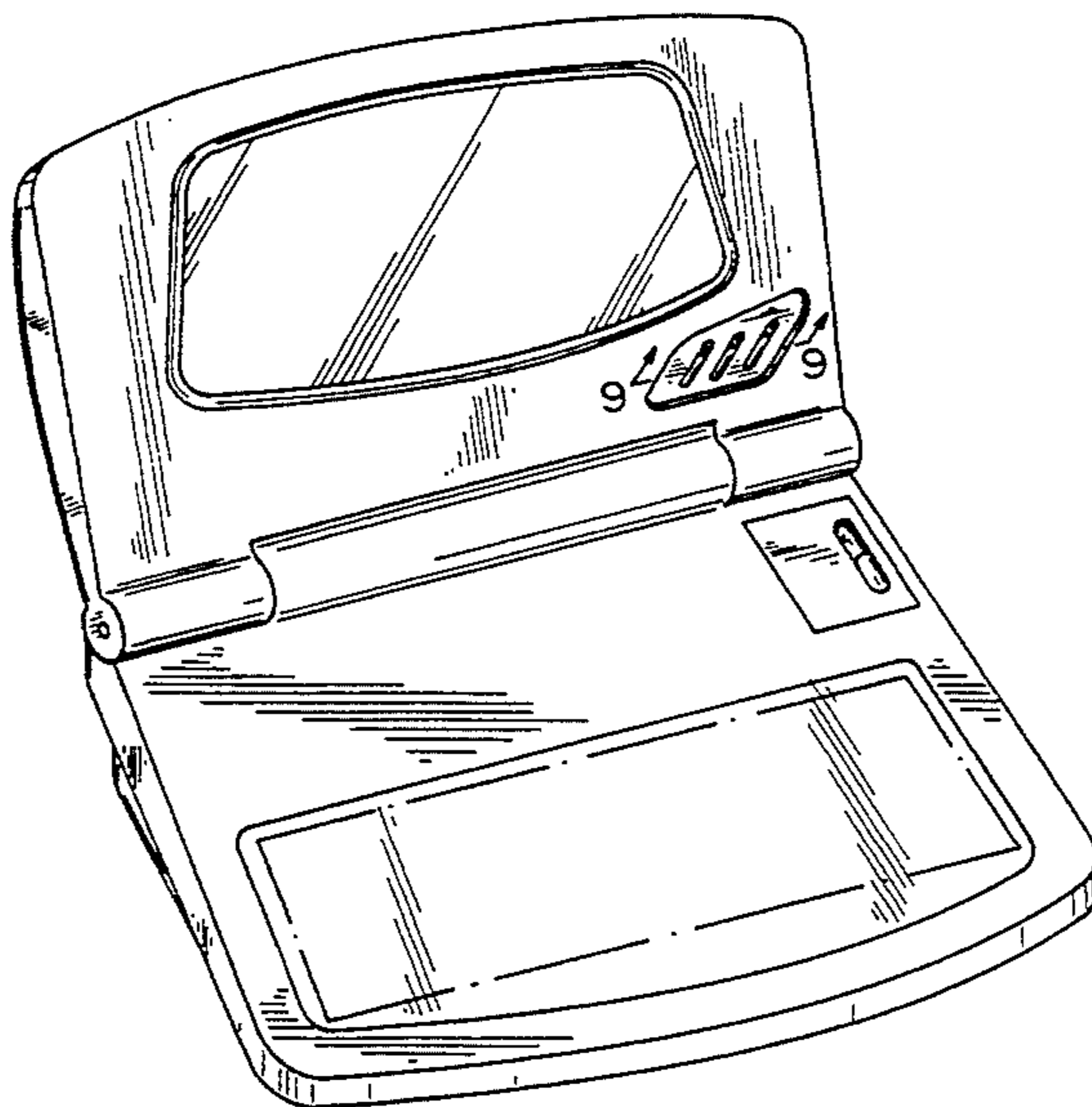
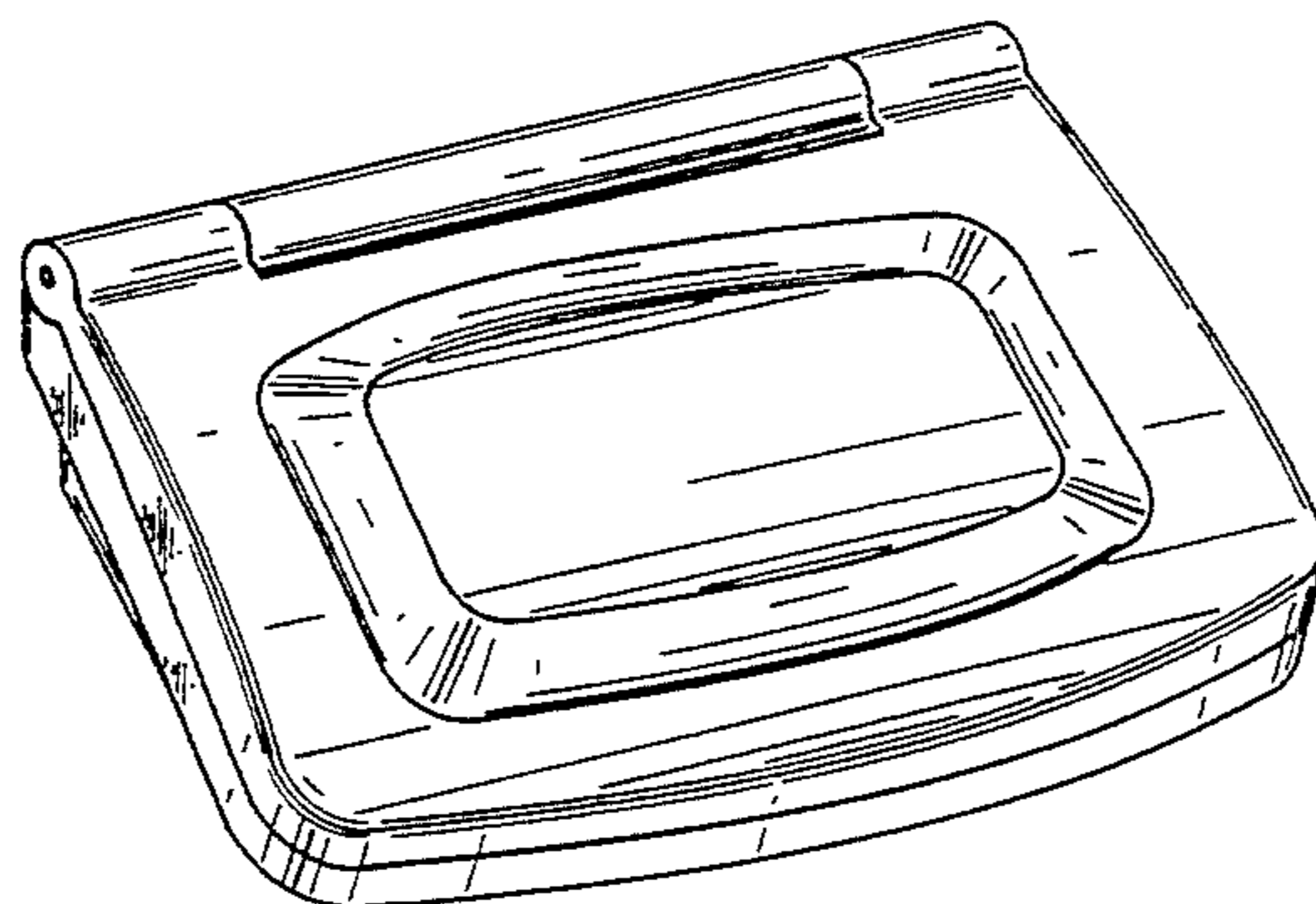


FIG. 1

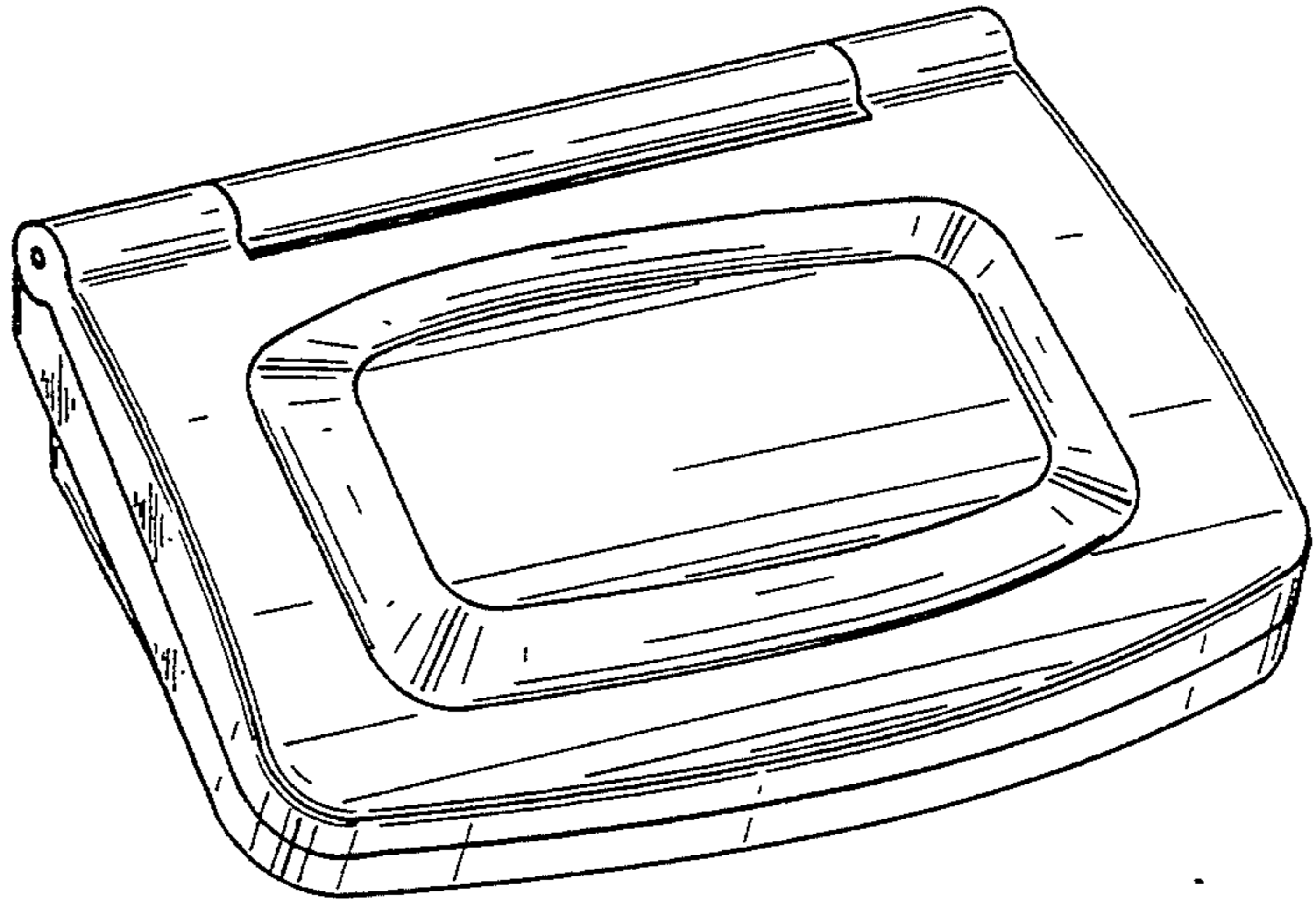


FIG. 2

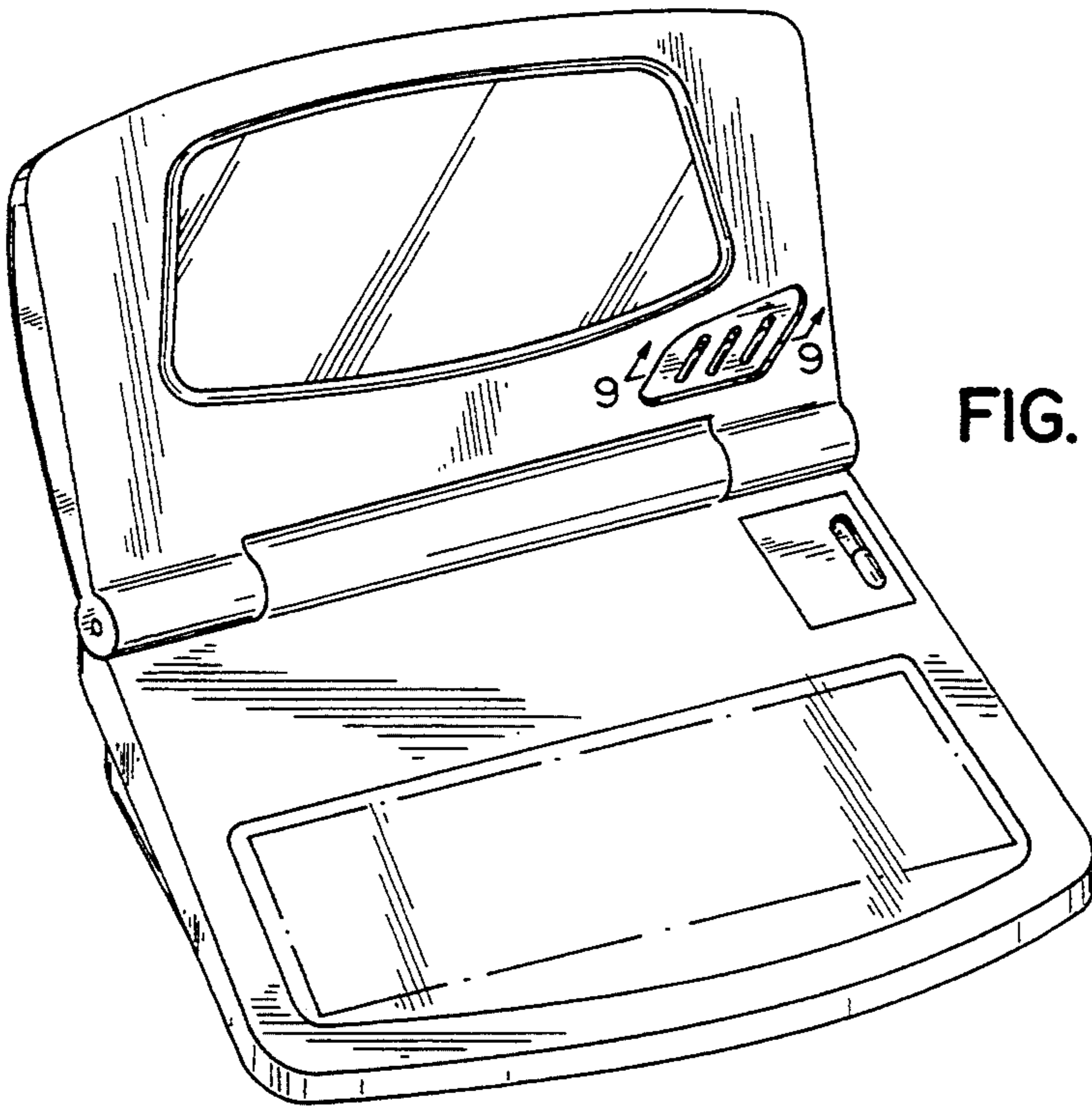


FIG. 9



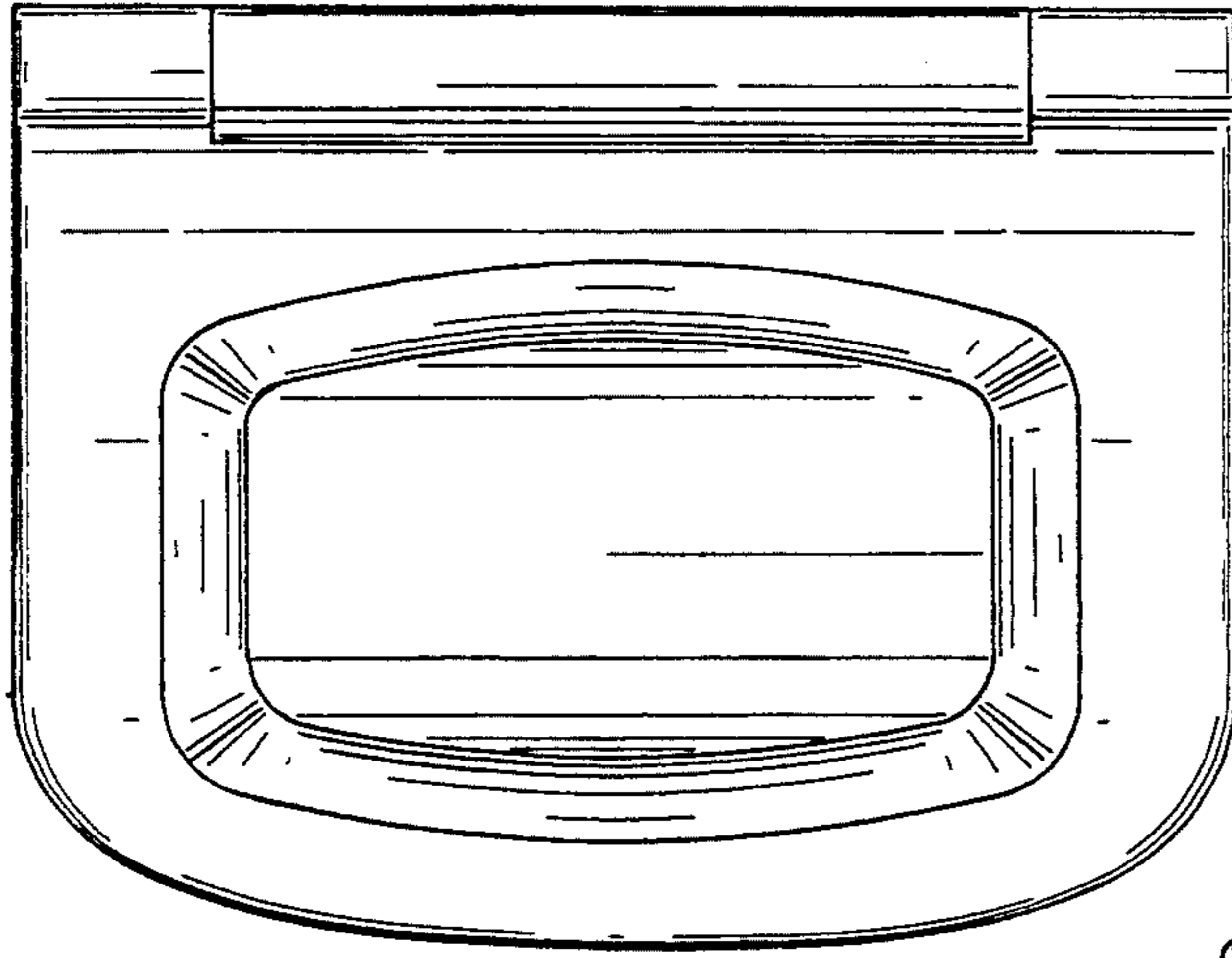


FIG. 3

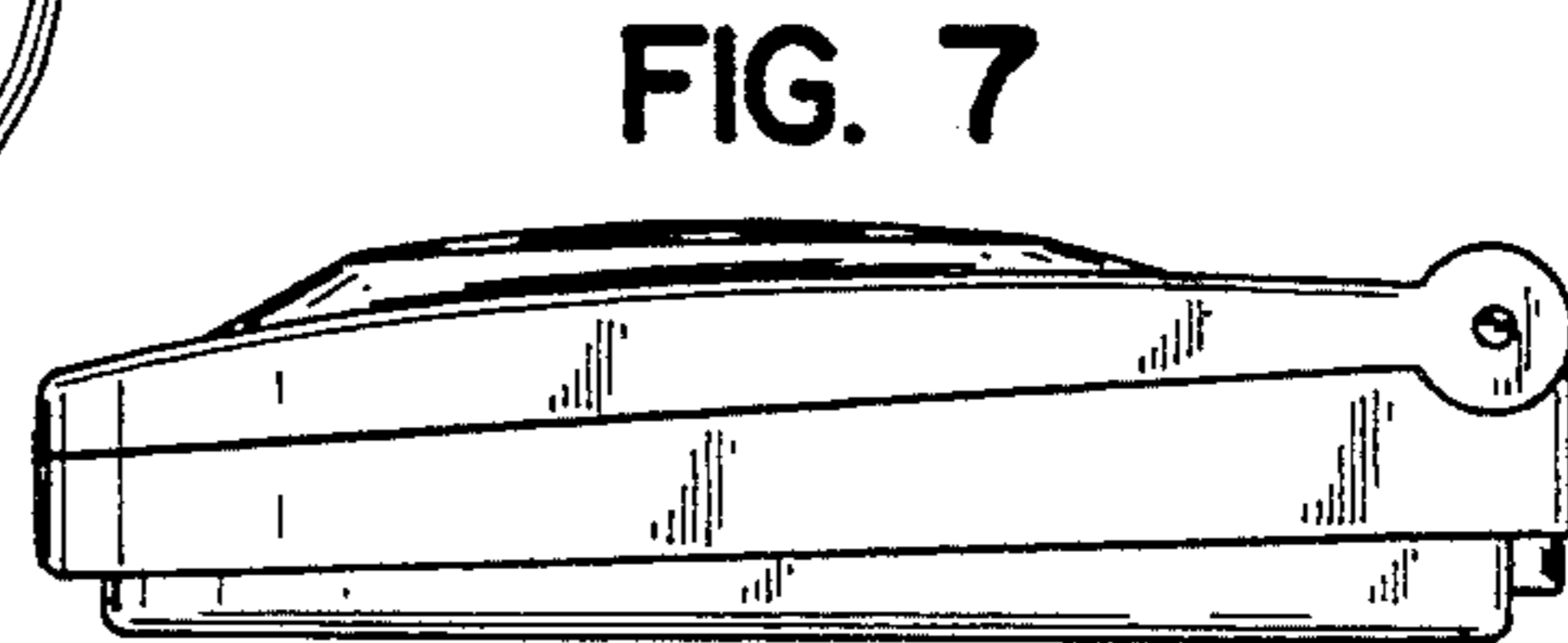


FIG. 7

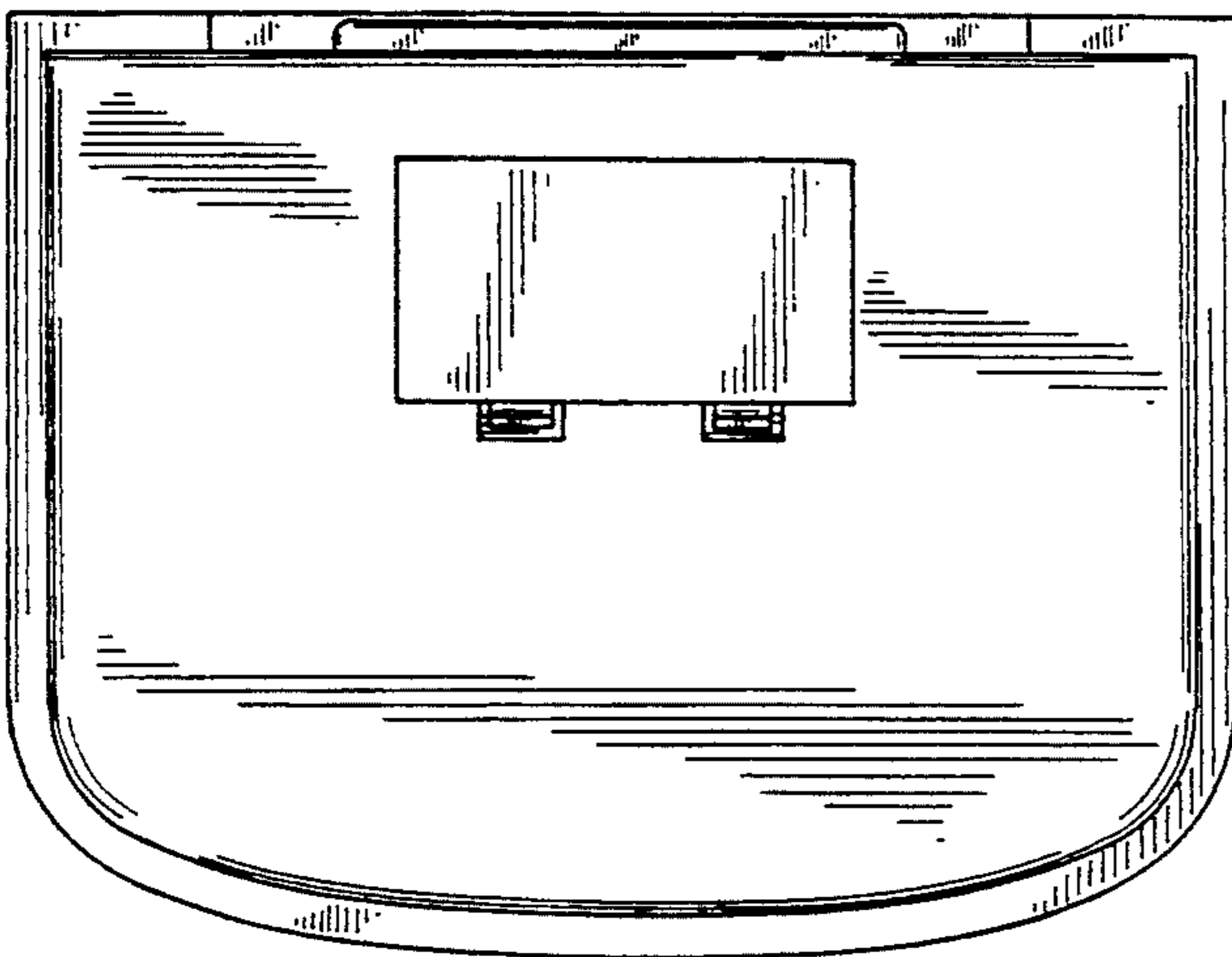


FIG. 4

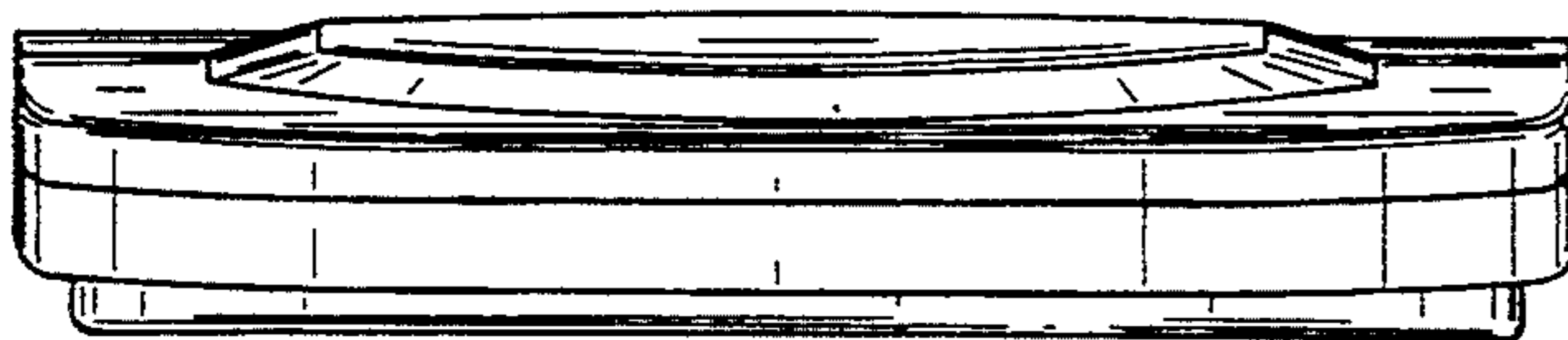


FIG. 5

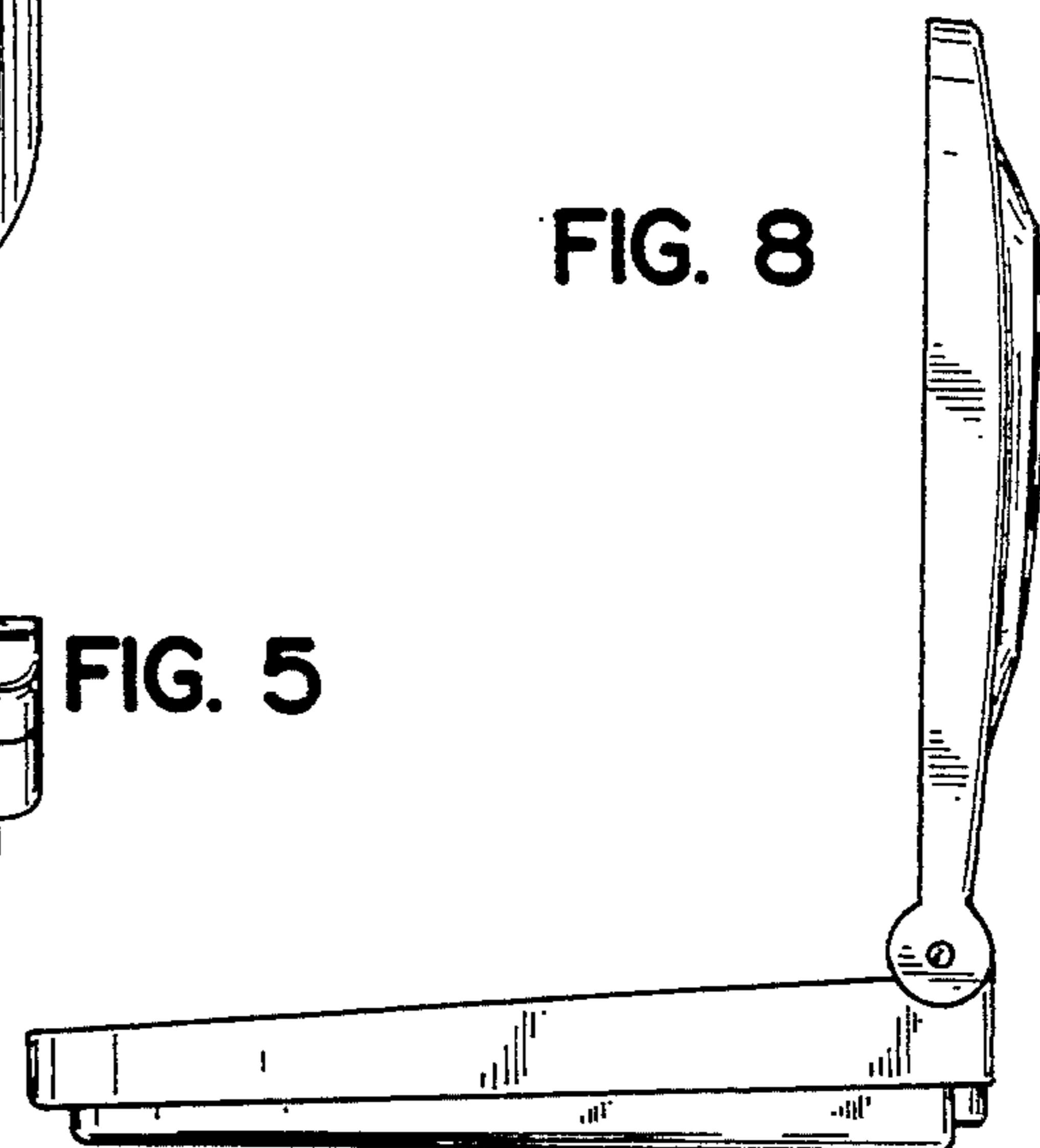


FIG. 8

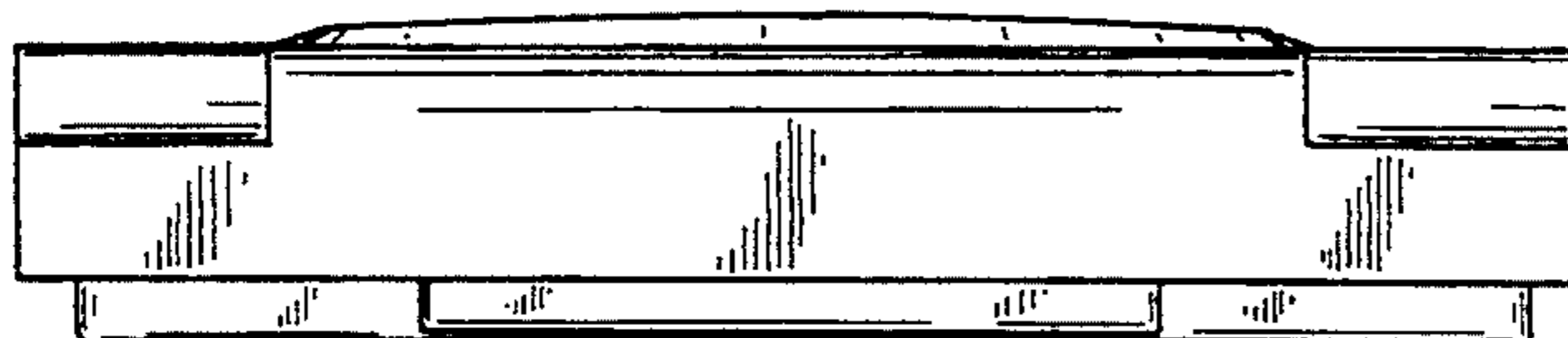


FIG. 6