



US00D358375S

United States Patent [19]

[11] Patent Number: **Des. 358,375**

De Lucchi et al.

[45] Date of Patent: **** May 16, 1995**

[54] **PORTABLE COMPUTER**

D. 347,214	5/1994	You-Chi	D14/106
4,913,387	4/1990	Tice	248/918
5,253,836	10/1993	Tso	248/225.31
5,287,246	2/1994	Sen	D14/106 X

[75] Inventors: **Michele De Lucchi; Hagai Shvadron,**
both of Milan, Italy

[73] Assignee: **Ing. C. Olivetti & C. S.p.A., Ivrea,**
Italy

Primary Examiner—Freda S. Nunn
Attorney, Agent, or Firm—Banner, Birch, McKie &
Beckett

[**] Term: **14 Years**

[57] **CLAIM**

[21] Appl. No.: **10,065**

The ornamental design for a portable computer, as shown and described.

[22] Filed: **Jun. 29, 1993**

DESCRIPTION

[30] **Foreign Application Priority Data**

FIG. 1 is a top plan view of a portable computer showing our design;
 FIG. 2 is a bottom plan view thereof;
 FIG. 3 is a front elevational view thereof;
 FIG. 4 is a rear elevational view thereof;
 FIG. 5 is a right side elevational view thereof;
 FIG. 6 is a left side elevational view thereof;
 FIG. 7 is a top front and right side perspective view thereof; and,
 FIG. 8 is a reduced top front and right side perspective view thereof shown opened and in an operating position.

Dec. 28, 1992 [IT] Italy TO920000266

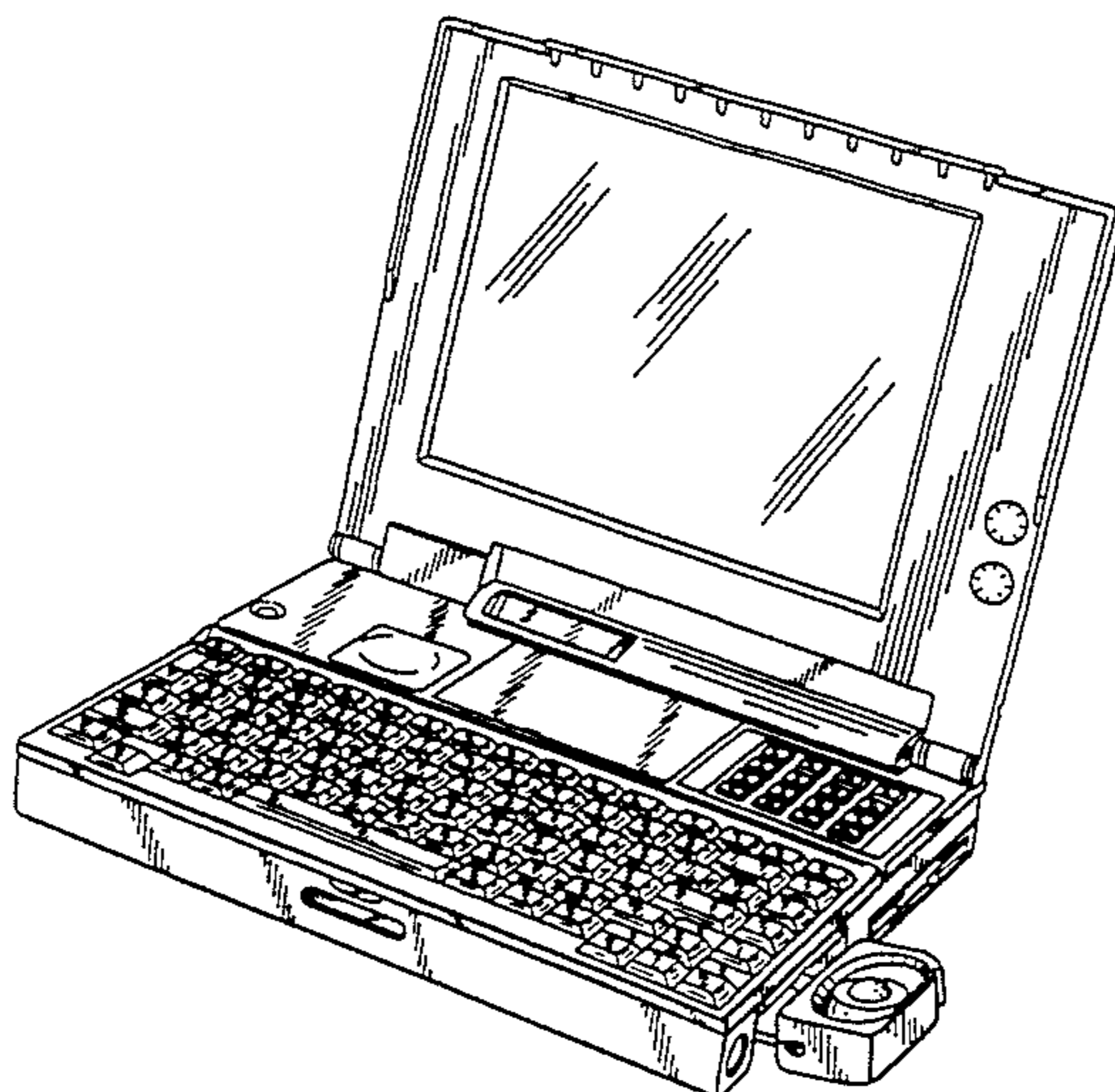
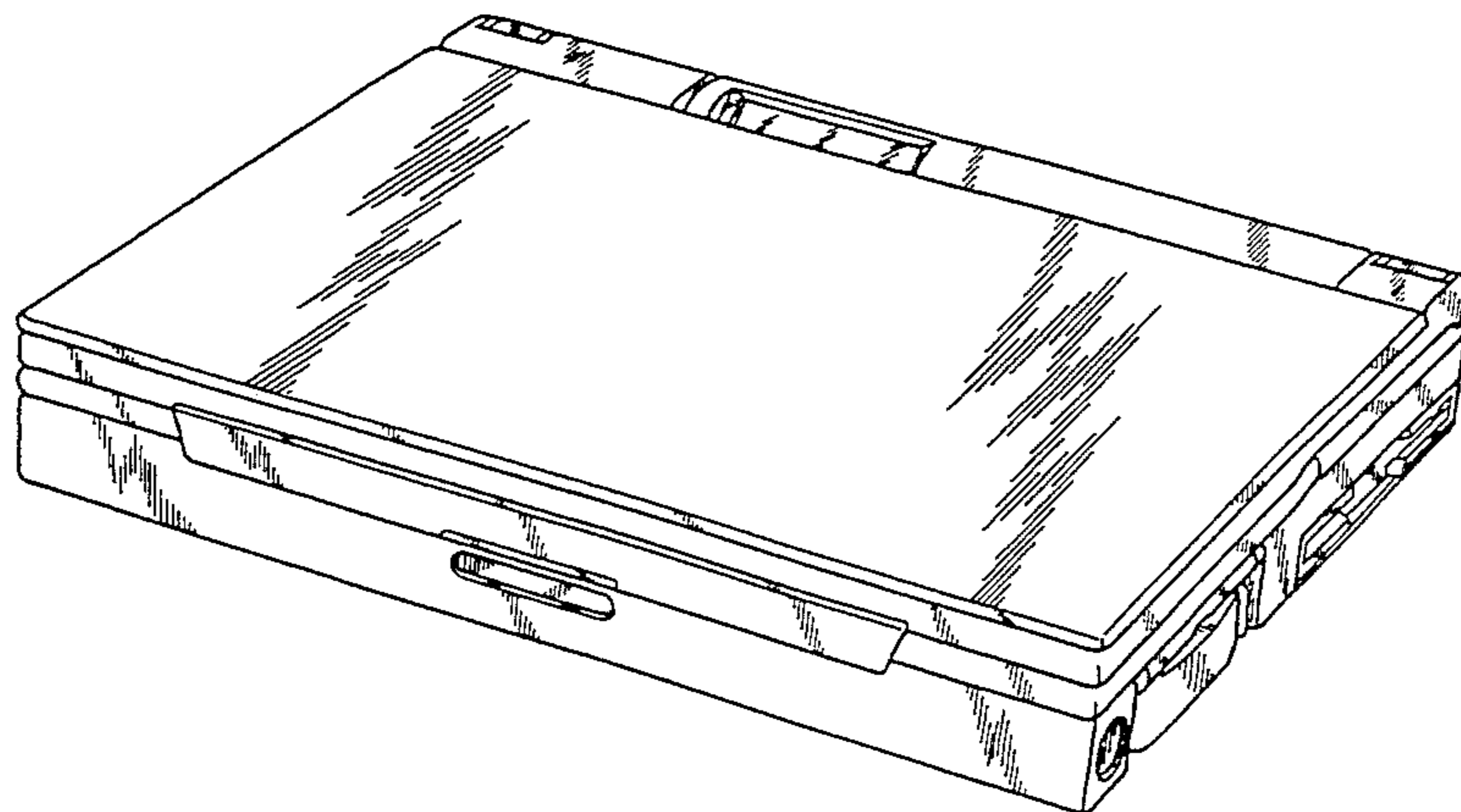
[52] U.S. Cl. **D14/106**

[58] **Field of Search** D14/100, 101, 106, 113,
D14/115; D18/1, 2, 7, 11, 12; 235/145 A, 145
R; 341/22, 23; 345/104, 156, 168, 173, 901-905;
361/679, -686; 364/708.1, 709.04, 709.12;
400/486, 489; 248/918, 225.31

[56] **References Cited**

U.S. PATENT DOCUMENTS

D. 338,456 8/1993 Brunner et al. D14/106



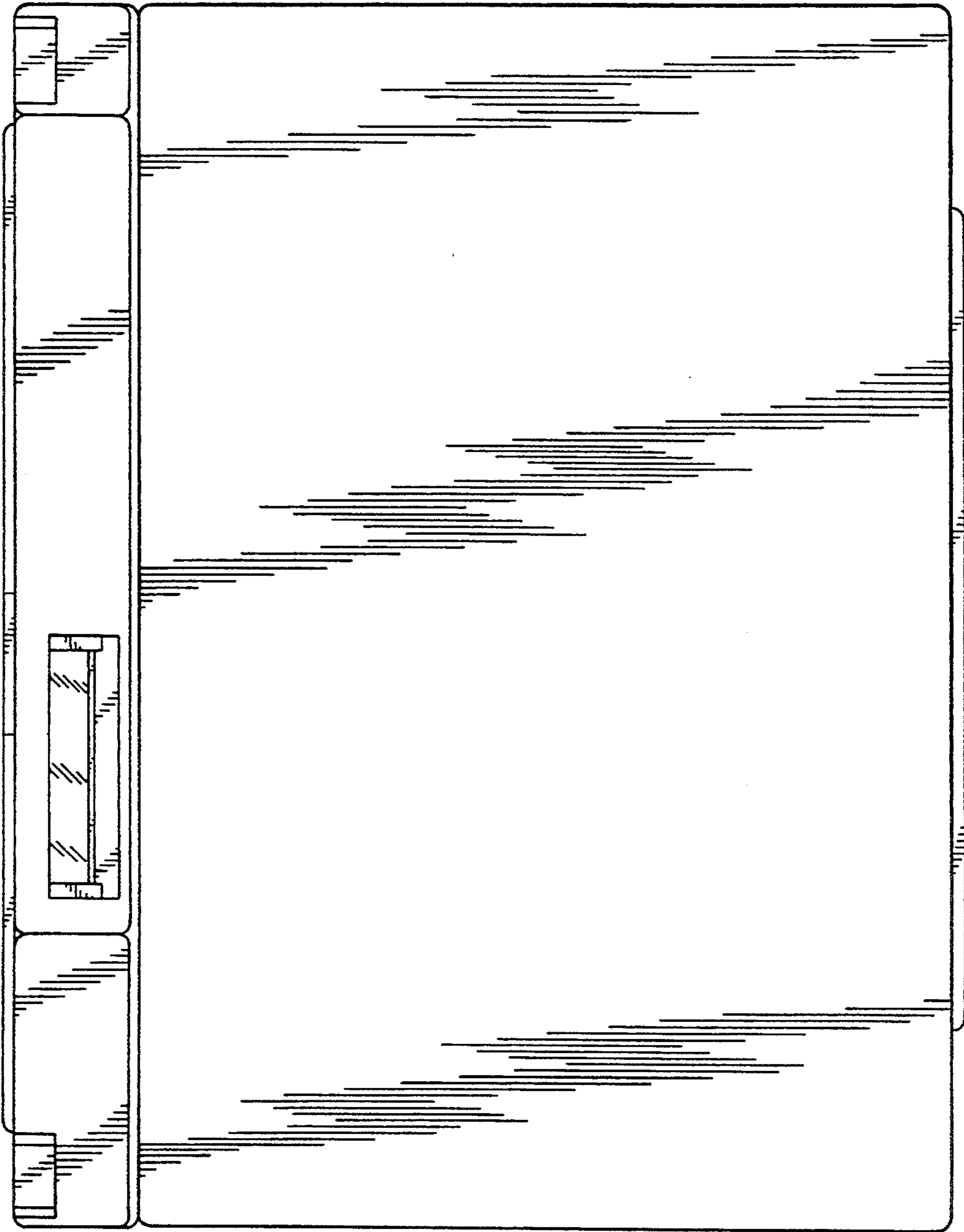


FIG. 1



FIG. 2

FIG. 3

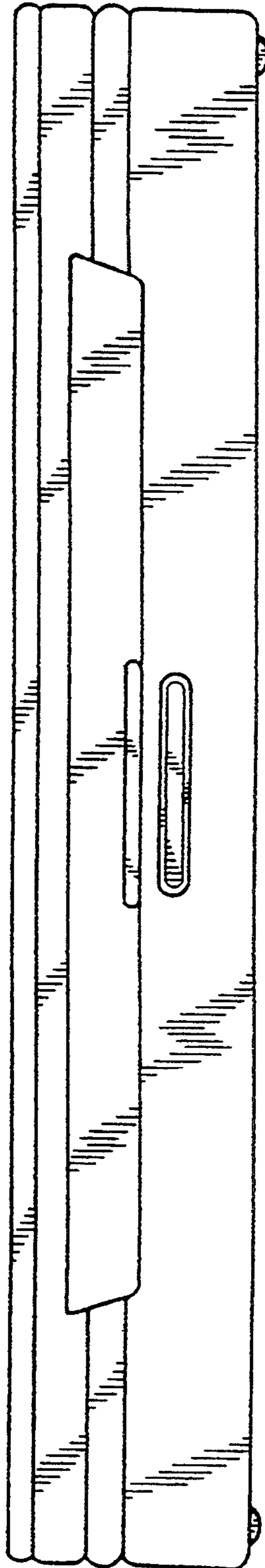


FIG. 4

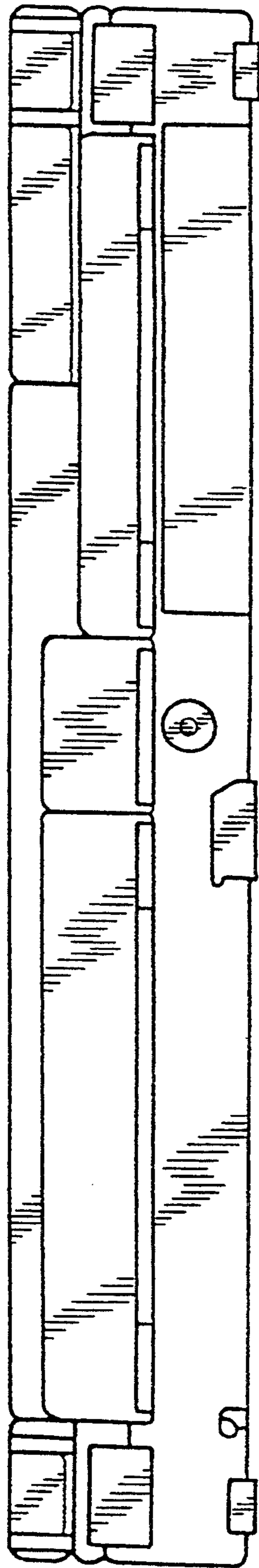


FIG. 5

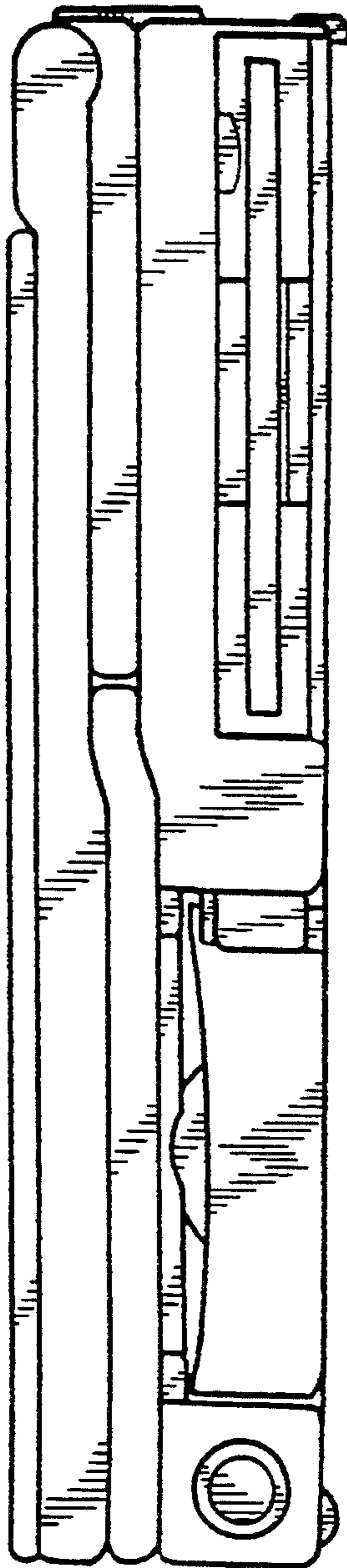
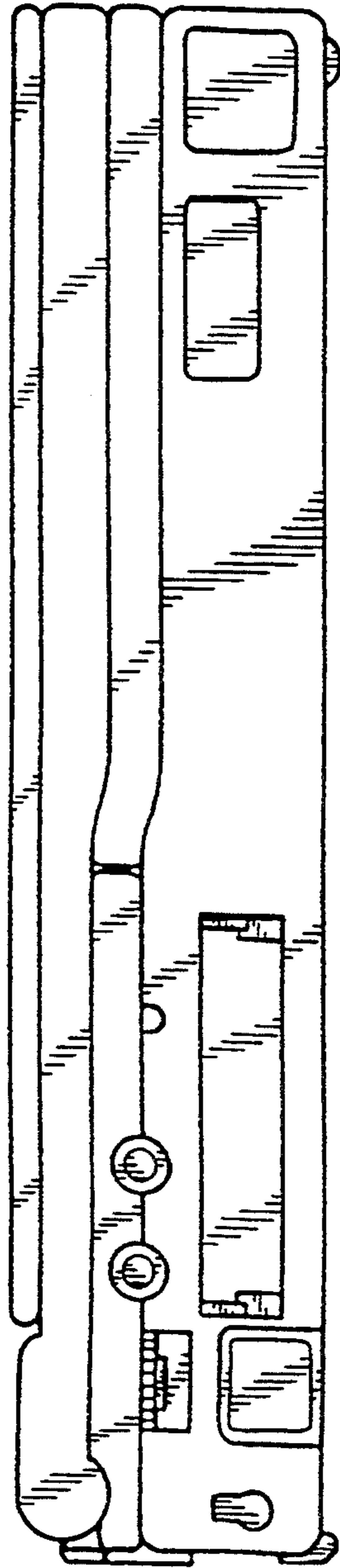


FIG. 6



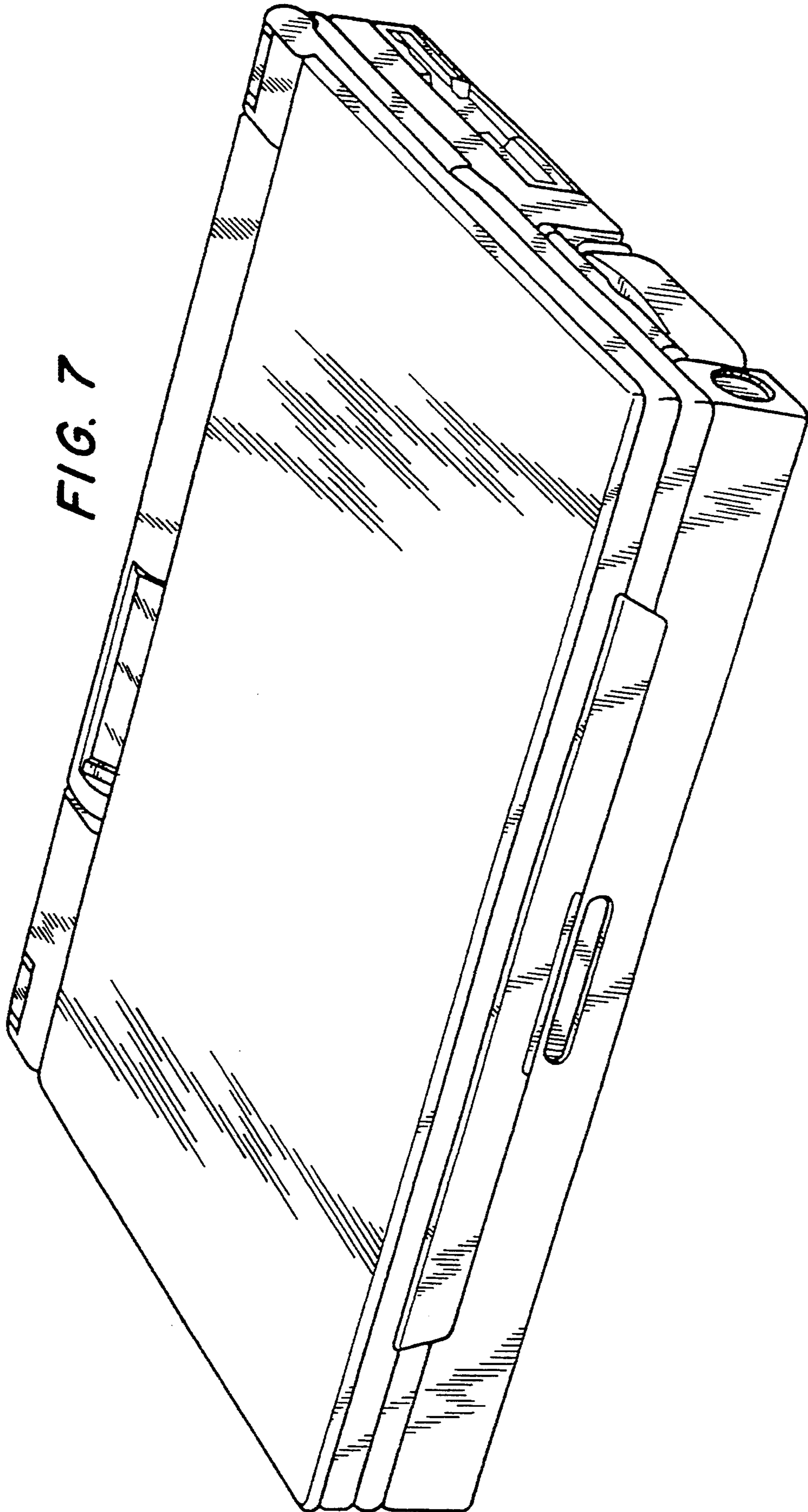


FIG. 7

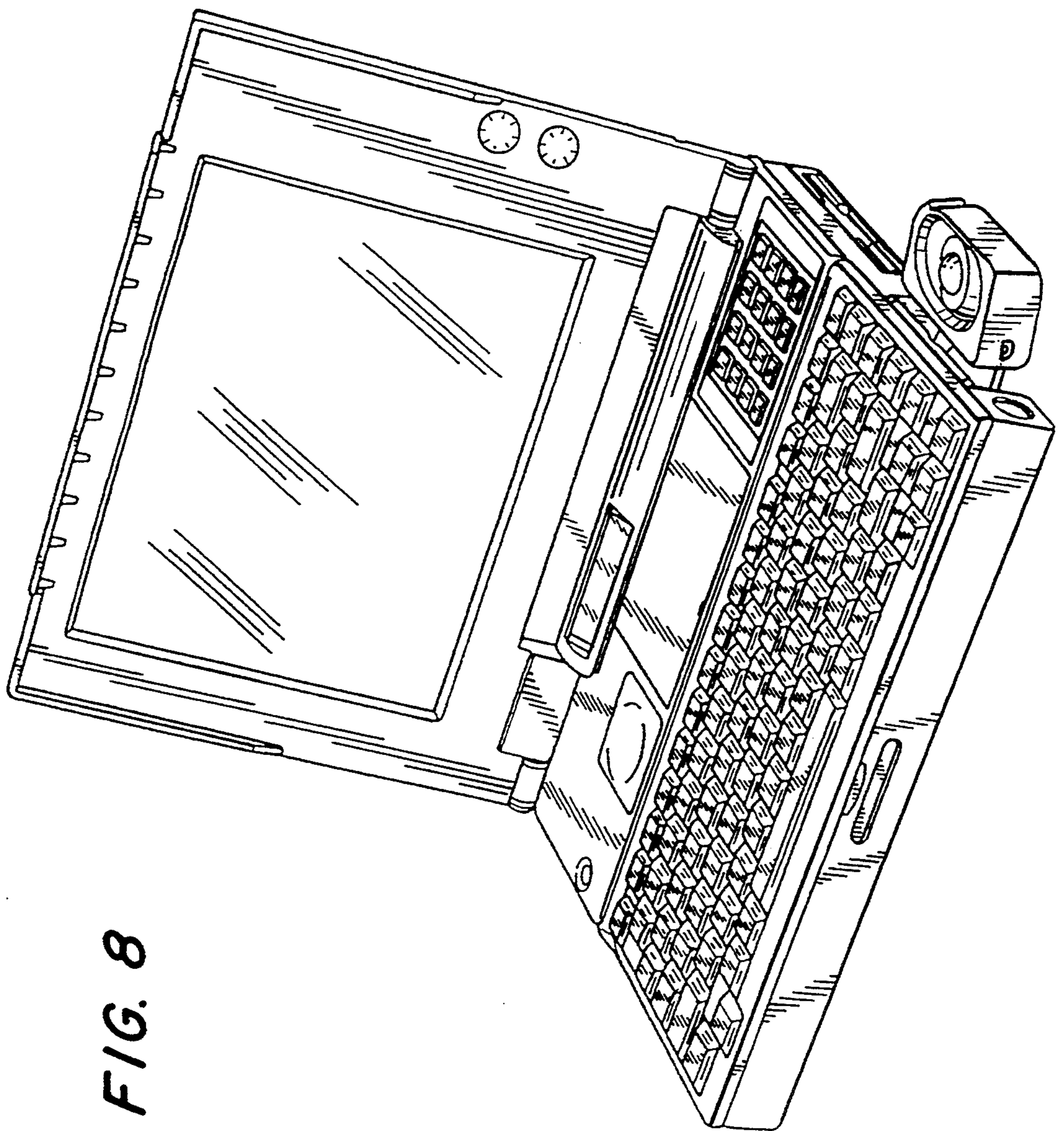


FIG. 8