



US00D358374S

United States Patent [19]

Yamazaki et al.

[11] Patent Number: **Des. 358,374**

[45] Date of Patent: **** May 16, 1995**

[54] **PORTABLE PERSONAL COMPUTER**

3276184 12/1991 Japan 345/901
4338793 11/1992 Japan 345/156

[75] Inventors: **Kazuhiko Yamazaki, Hiratuka; Nariaki Mieki, Yokohama, both of Japan**

Primary Examiner—Freda S. Nunn
Attorney, Agent, or Firm—Martin J. McKinley

[73] Assignee: **International Business Machines Corporation, Armonk, N.Y.**

[57] **CLAIM**

The ornamental design for a portable personal computer, as shown and described.

[**] Term: **14 Years**

DESCRIPTION

[21] Appl. No.: **9,476**

FIG. 1 is a right rear and bottom perspective view of the portable personal computer;
FIG. 2 is a right side elevational view thereof;
FIG. 3 is a left side elevational view thereof;
FIG. 4 is a front elevational view thereof;
FIG. 5 is a rear elevational view thereof;
FIG. 6 is a top plan view thereof;
FIG. 7 is a bottom plan view thereof;
FIG. 8 is a right front and top perspective view thereof in the opened position;
FIG. 9 is an exploded right front and top perspective view thereof wherein the display is removed;
FIG. 10 is a right side elevational view of the portable personal computer in the opened position;
FIG. 11 is a left side elevational view thereof;
FIG. 12 is a front elevational view thereof;
FIG. 13 is a rear elevational view thereof;
FIG. 14 is a top plan view thereof;
FIG. 15 is a bottom plan view thereof; and,
FIG. 16 is a top front and side perspective view thereof shown in the closed position.
FIGS. 8 and 9 are drawn on a reduced scale.

[22] Filed: **Jun. 14, 1993**

[30] **Foreign Application Priority Data**

Dec. 14, 1992 [JP] Japan 4-36459

[52] U.S. Cl. **D14/106**

[58] Field of Search D14/100, 101, 106, 113, D14/115, 124-127; D18/1, 7, 11, 12; 235/145 A, 145 R; 345/104, 156, 168, 173, 901, 905; 341/22, 23; 361/679-686; 364/708.1, 709.04, 709.12; 400/486, 489

[56] **References Cited**

U.S. PATENT DOCUMENTS

- D. 295,854 5/1988 Harlan et al. D14/100
- D. 346,592 5/1994 High et al. D14/106
- 5,243,549 9/1993 Oshiba D14/106 X
- 5,260,885 11/1993 Ma D14/106 X

FOREIGN PATENT DOCUMENTS

- 790454 6/1990 Japan D14/106 X

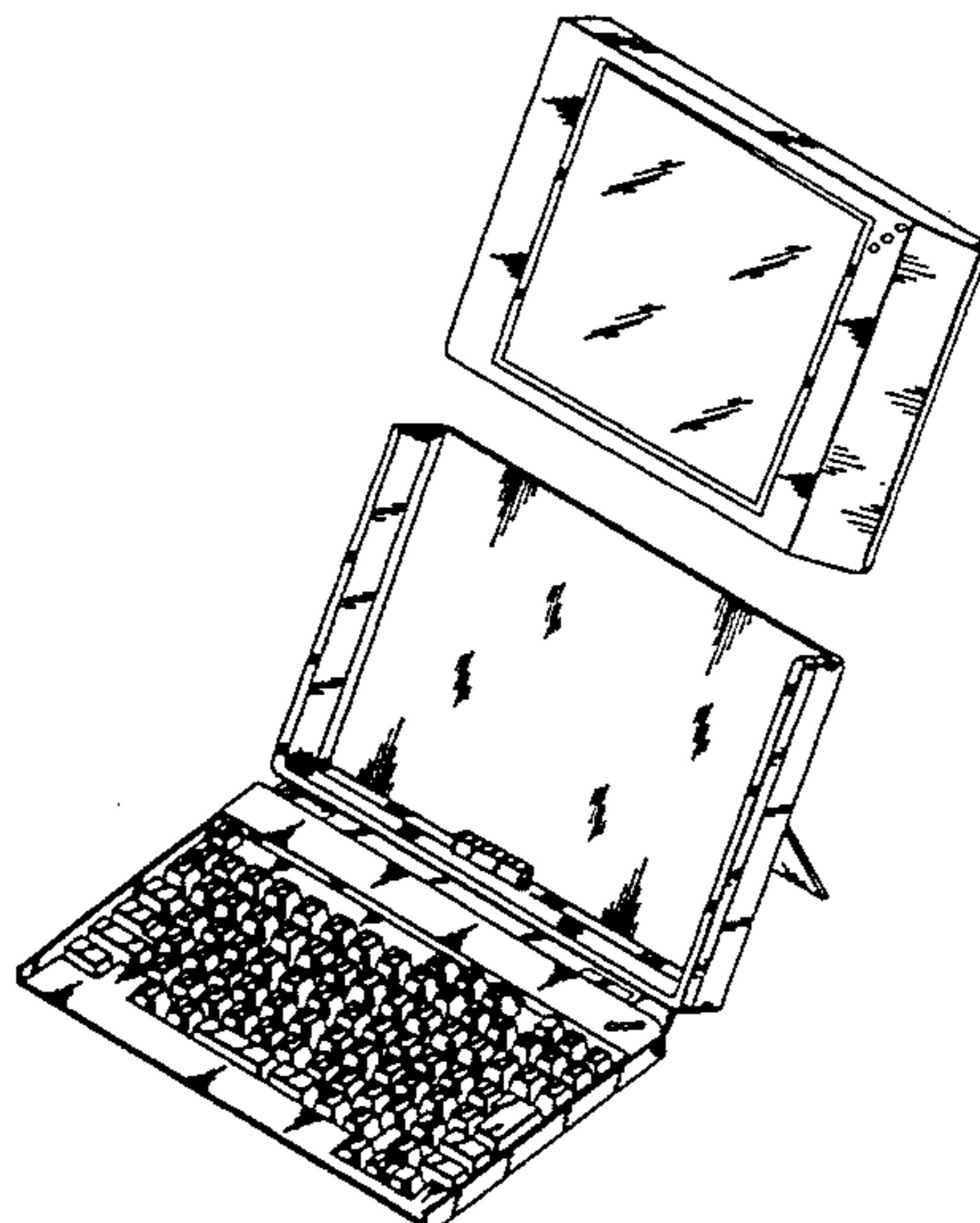
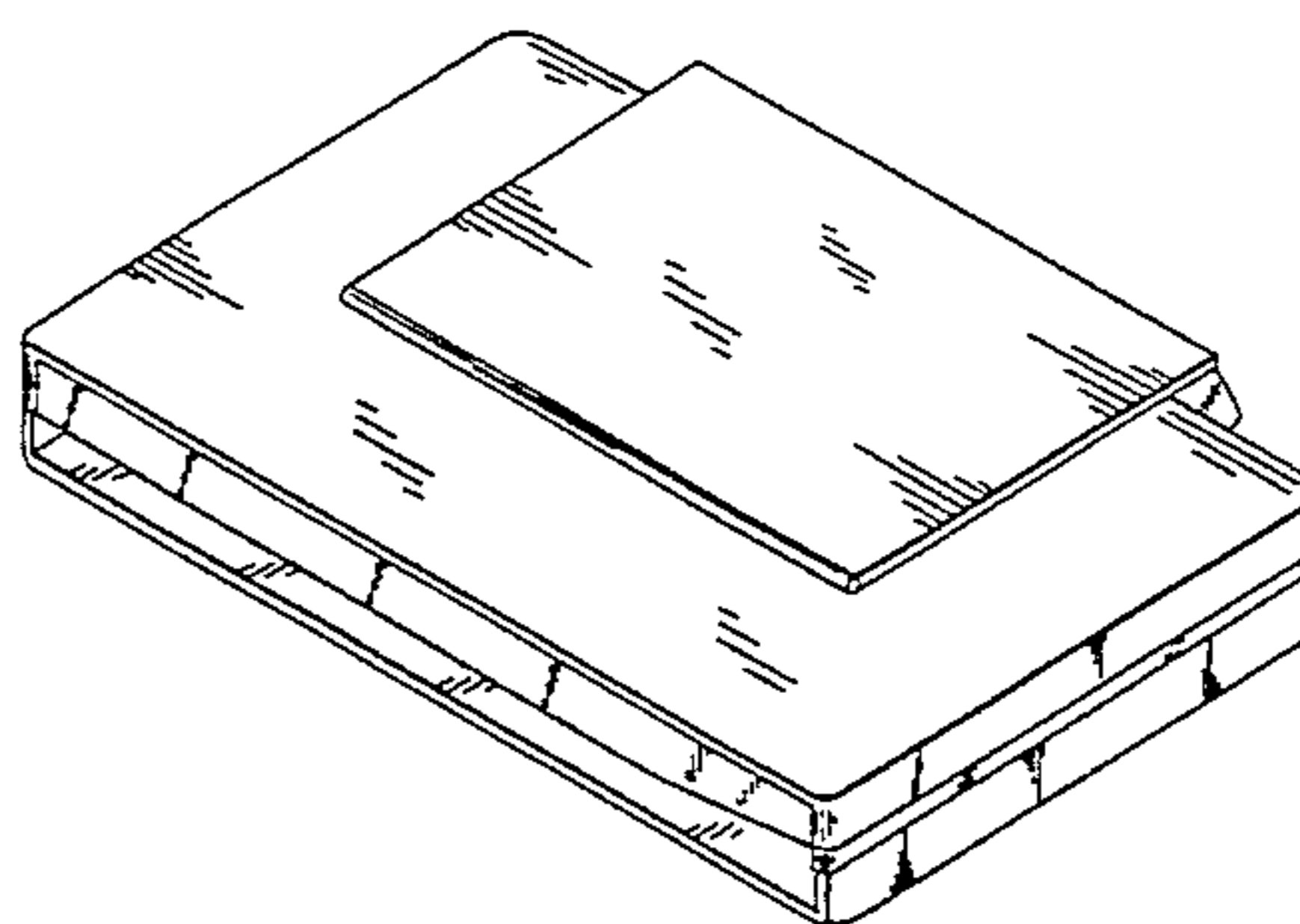
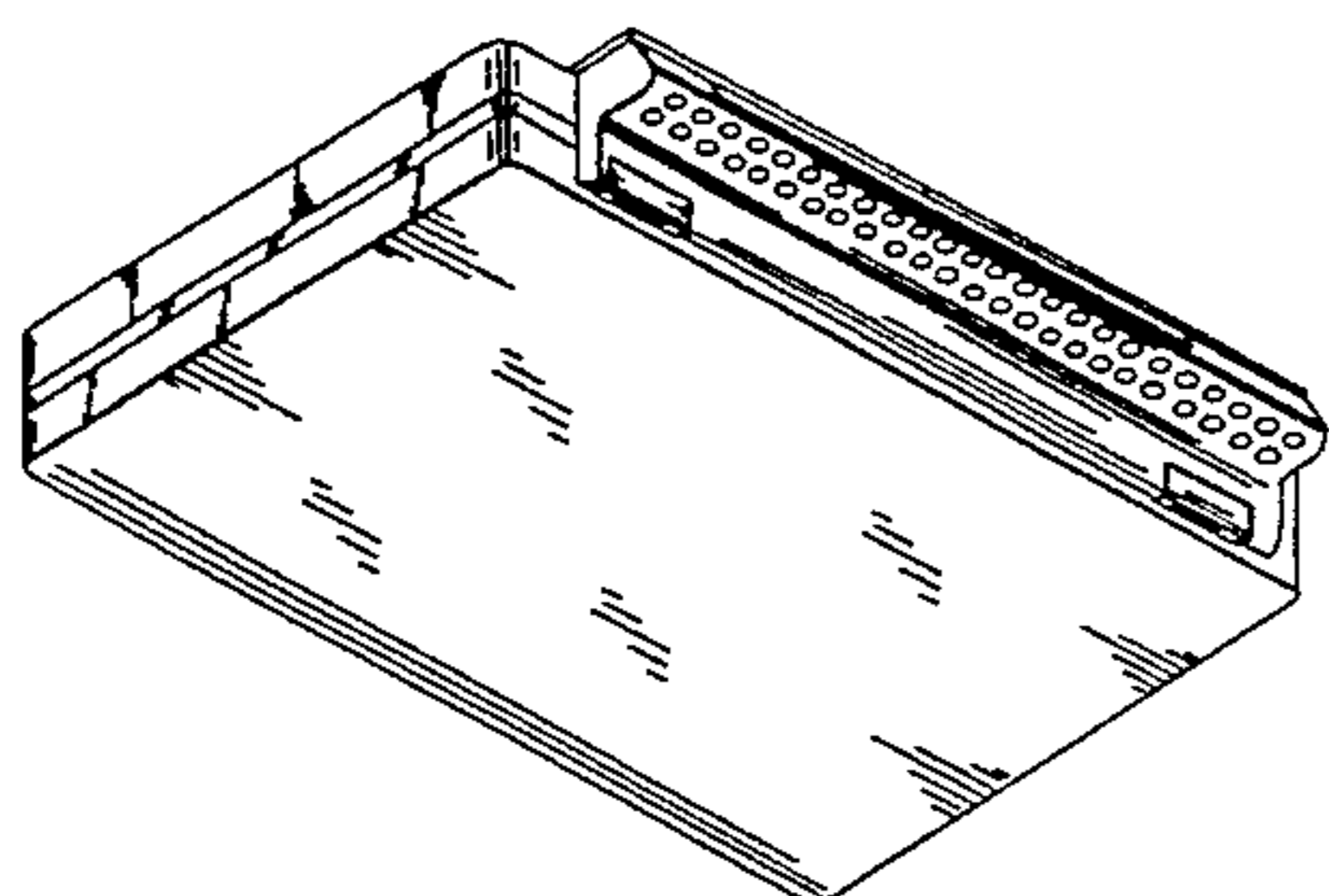


FIG. 1

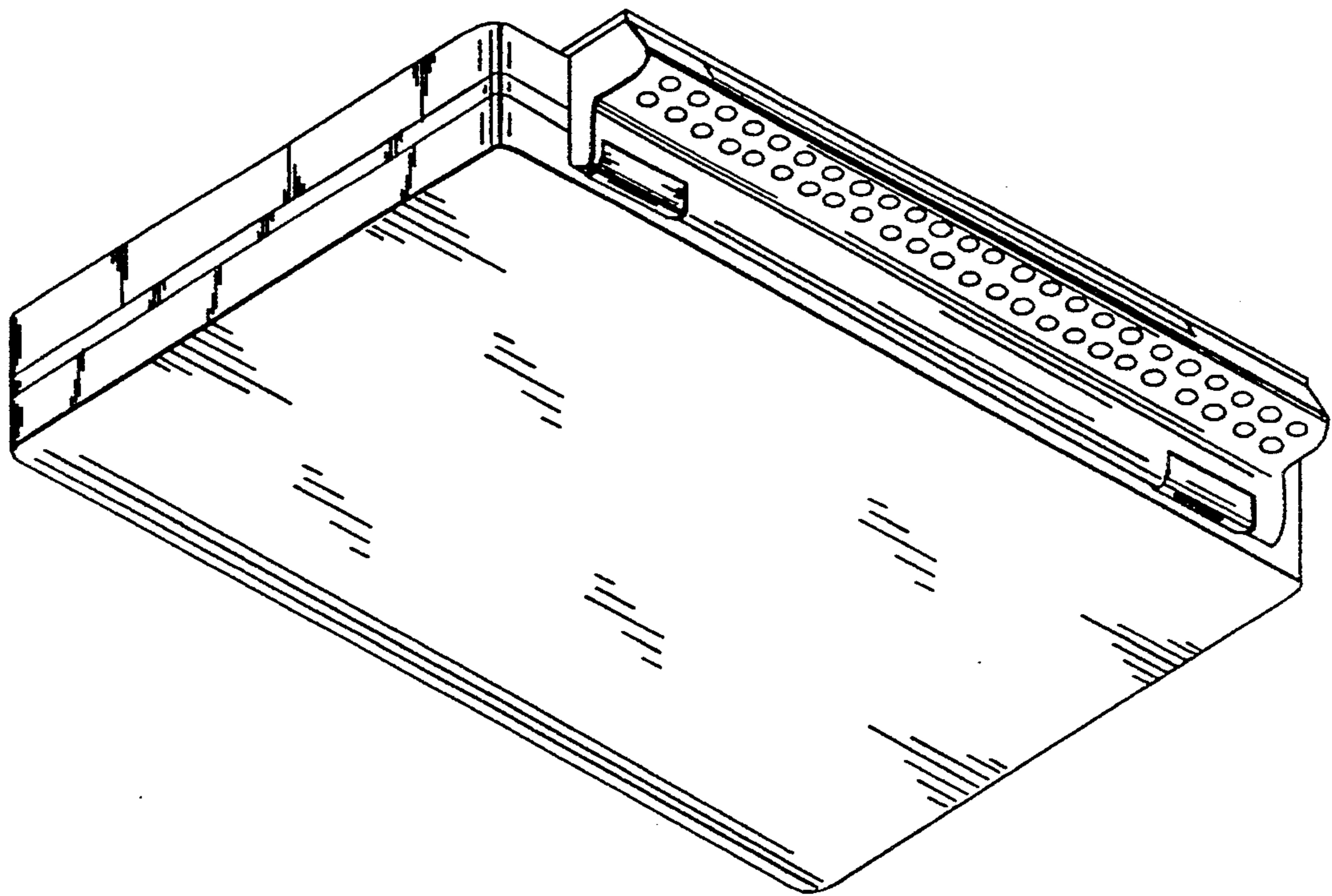


FIG. 2

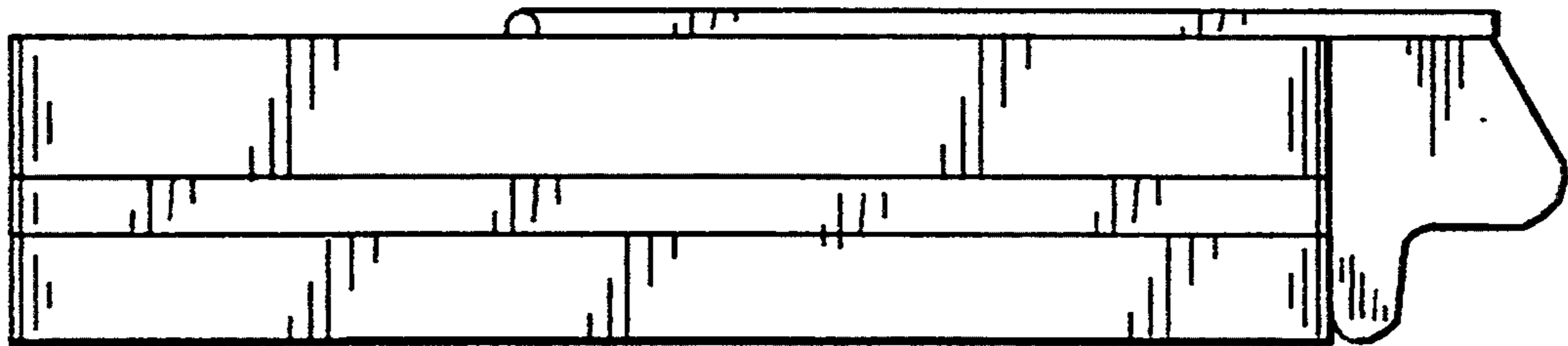


FIG. 3

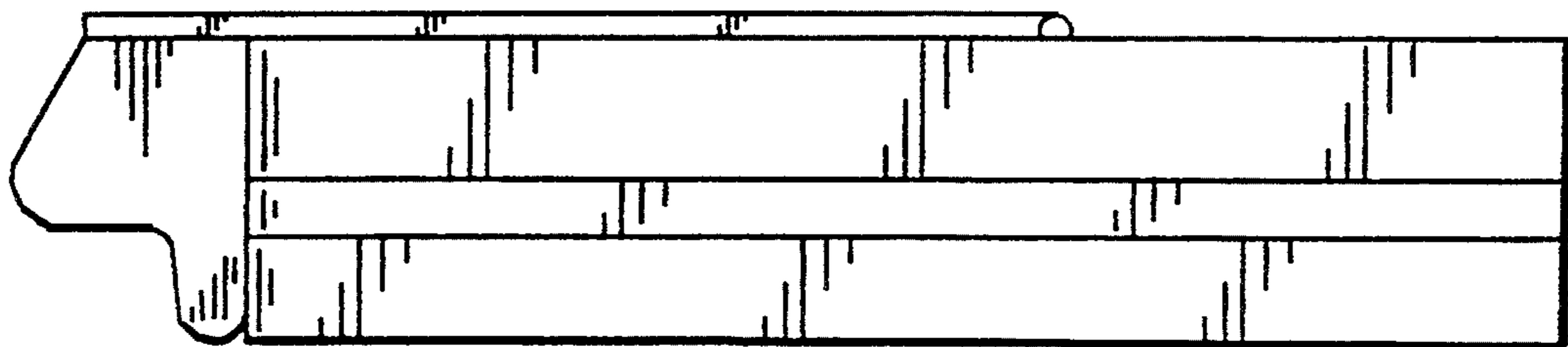


FIG. 4

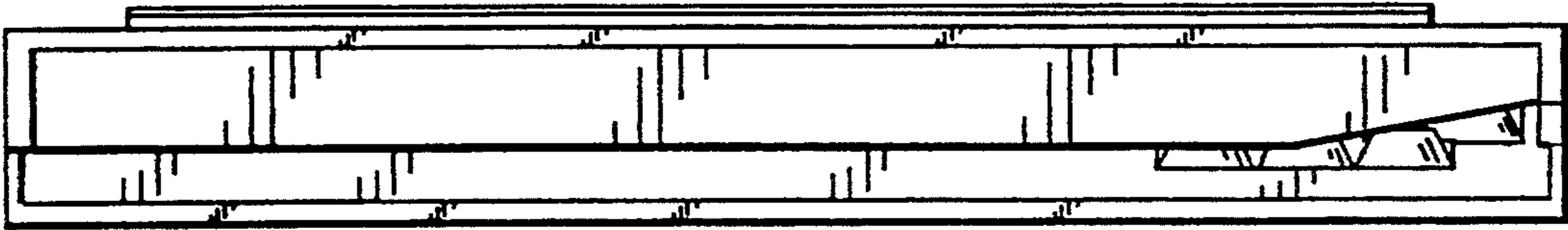


FIG. 5

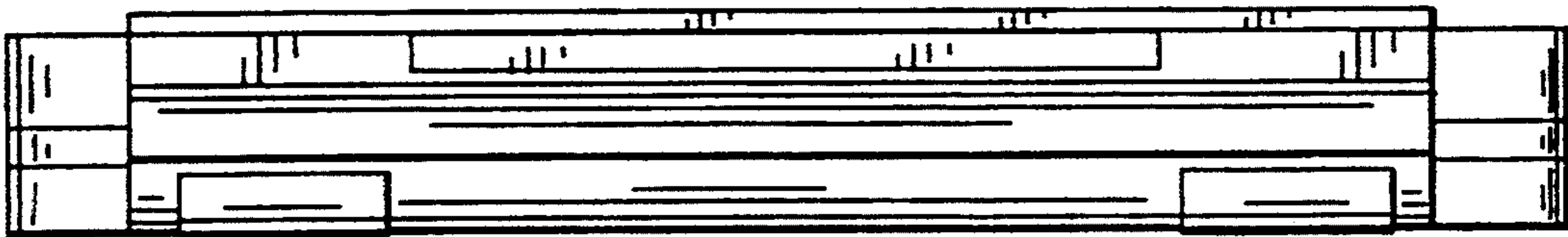


FIG. 6

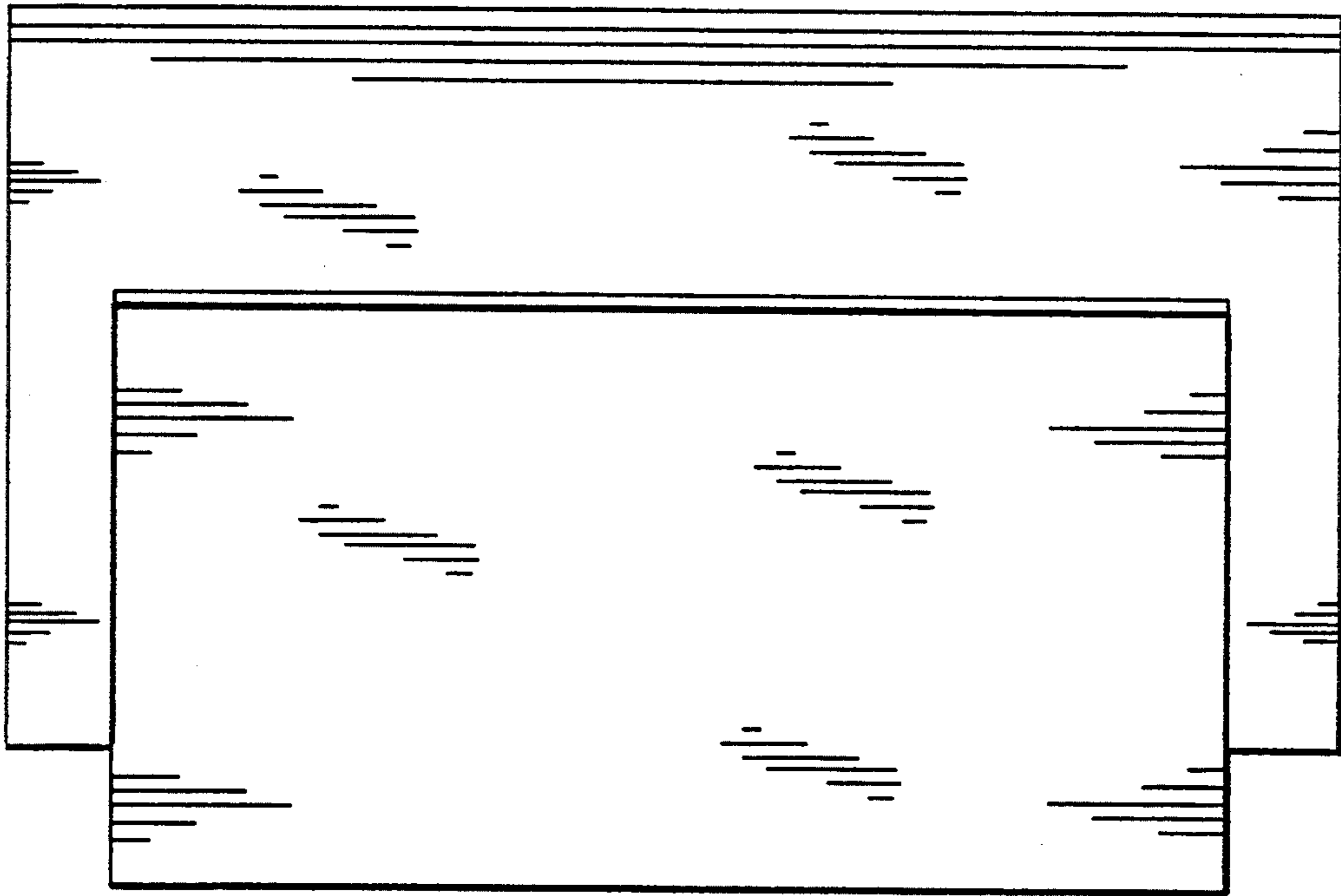


FIG. 7

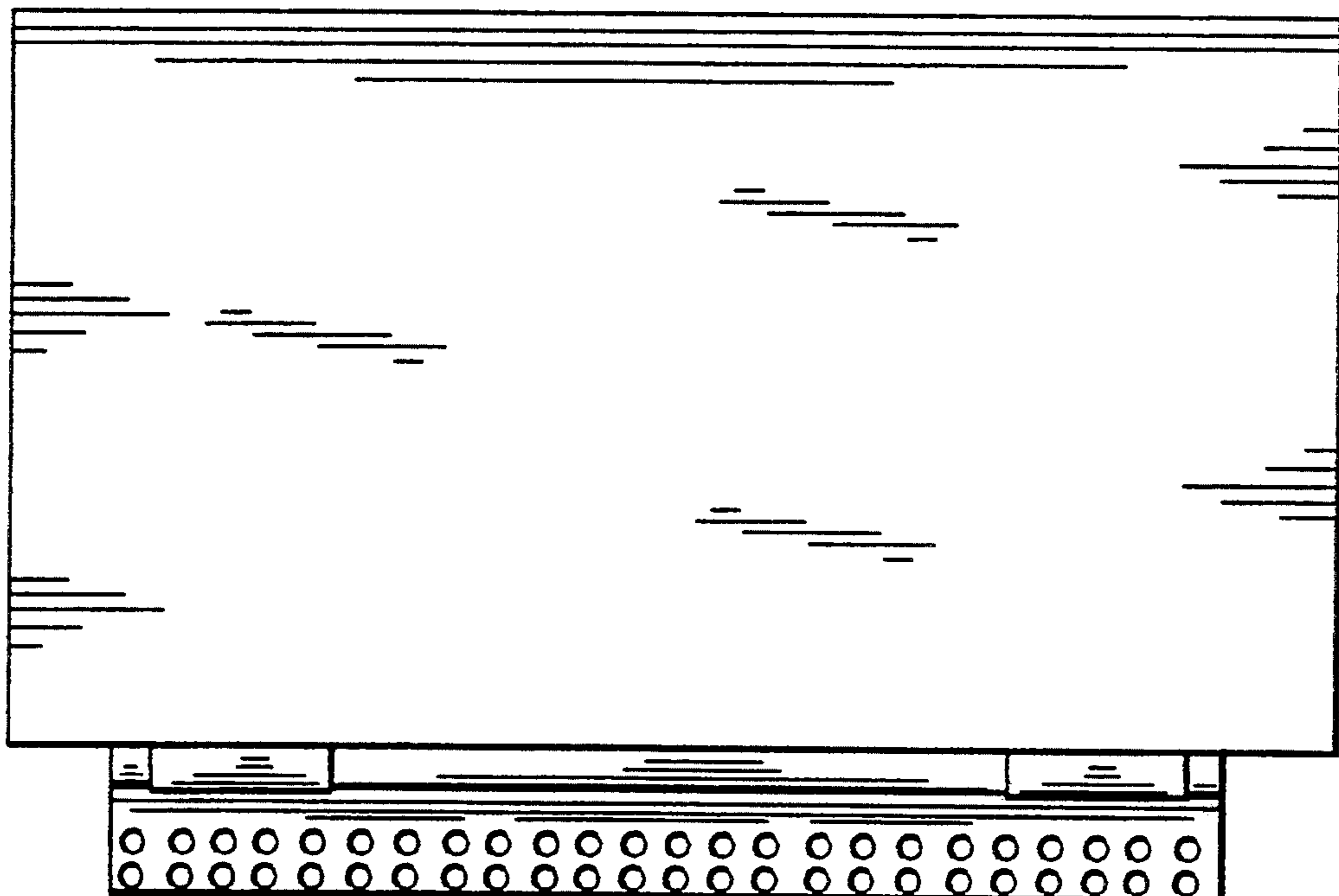


FIG. 8

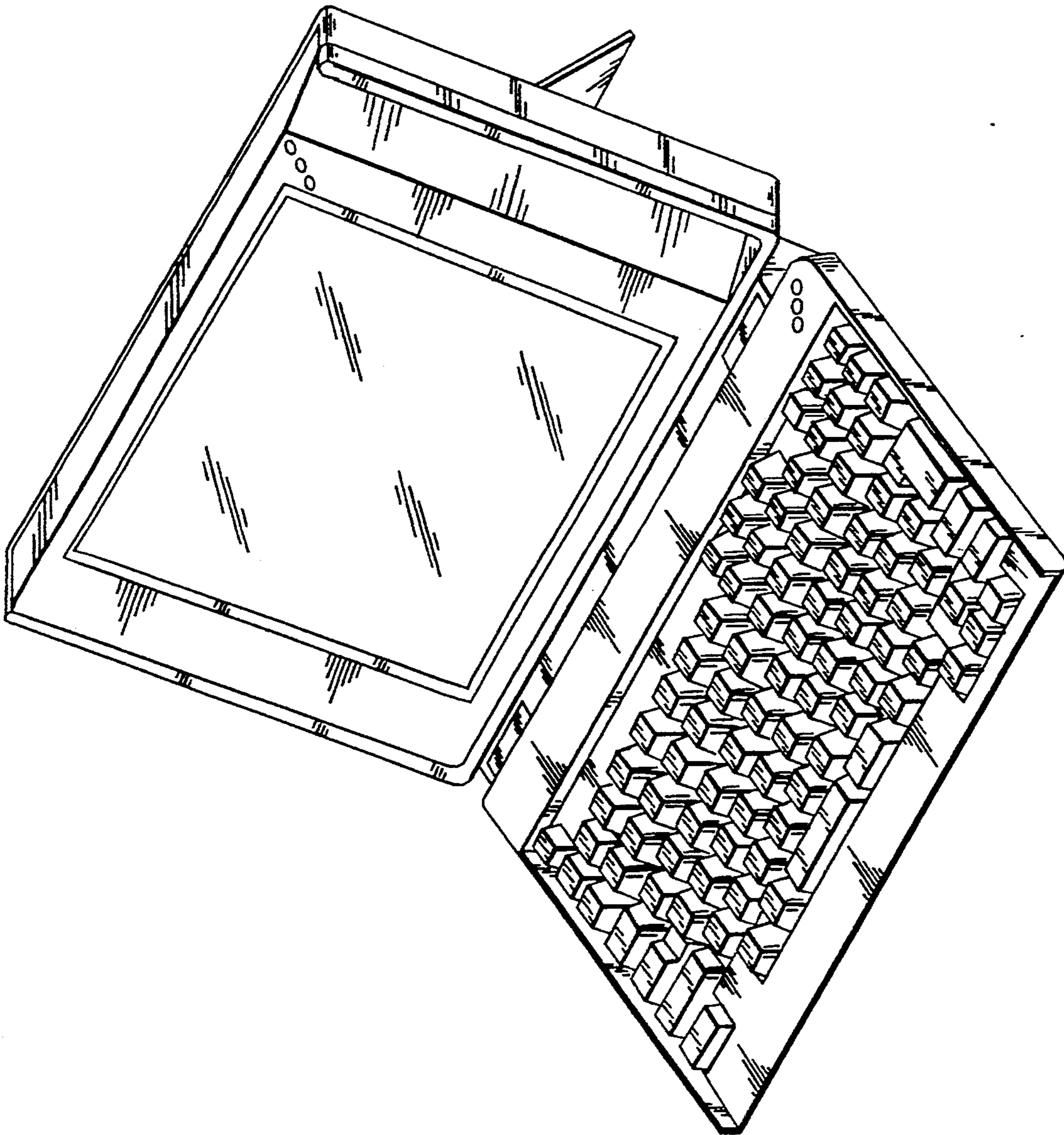


FIG. 9

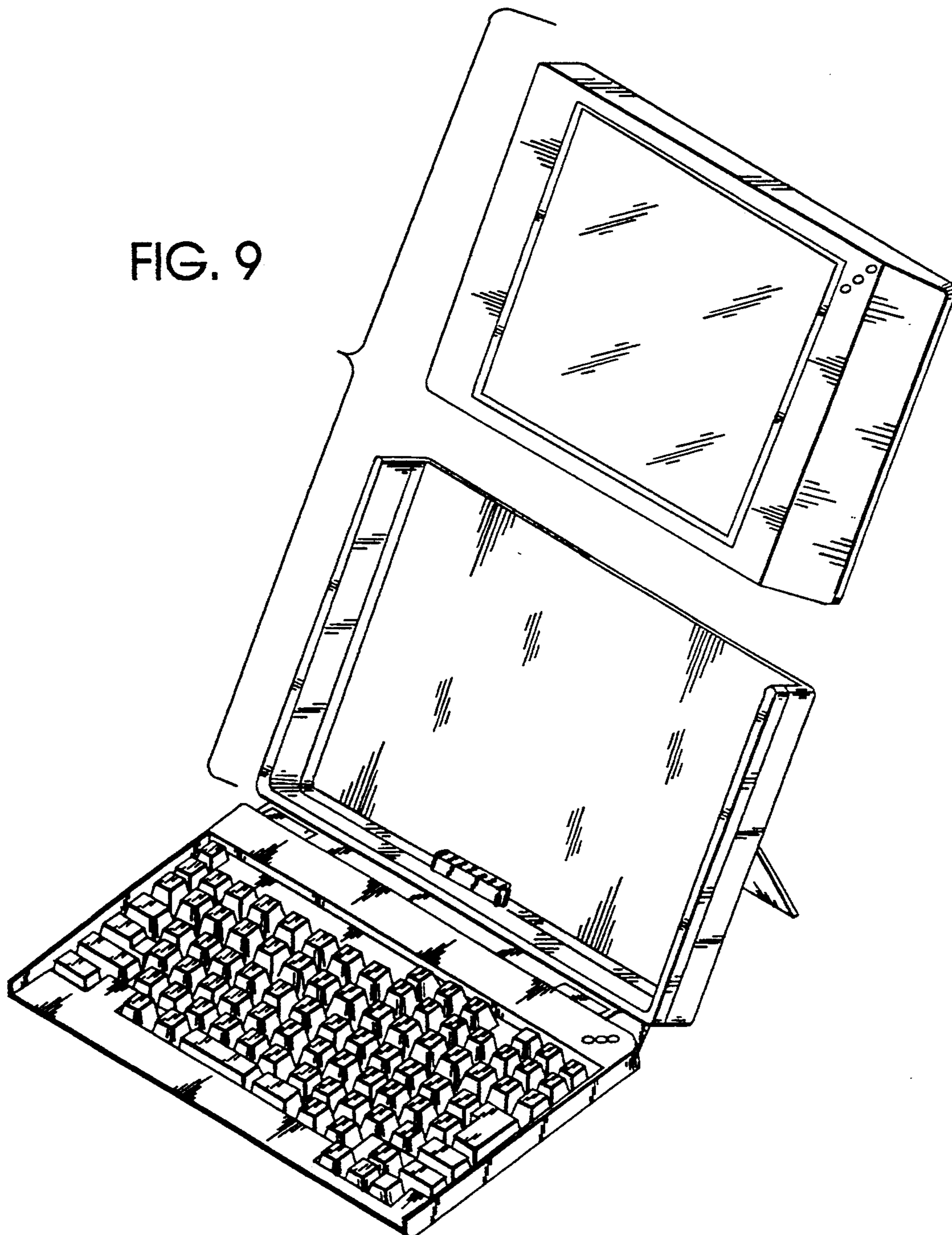


FIG. 10

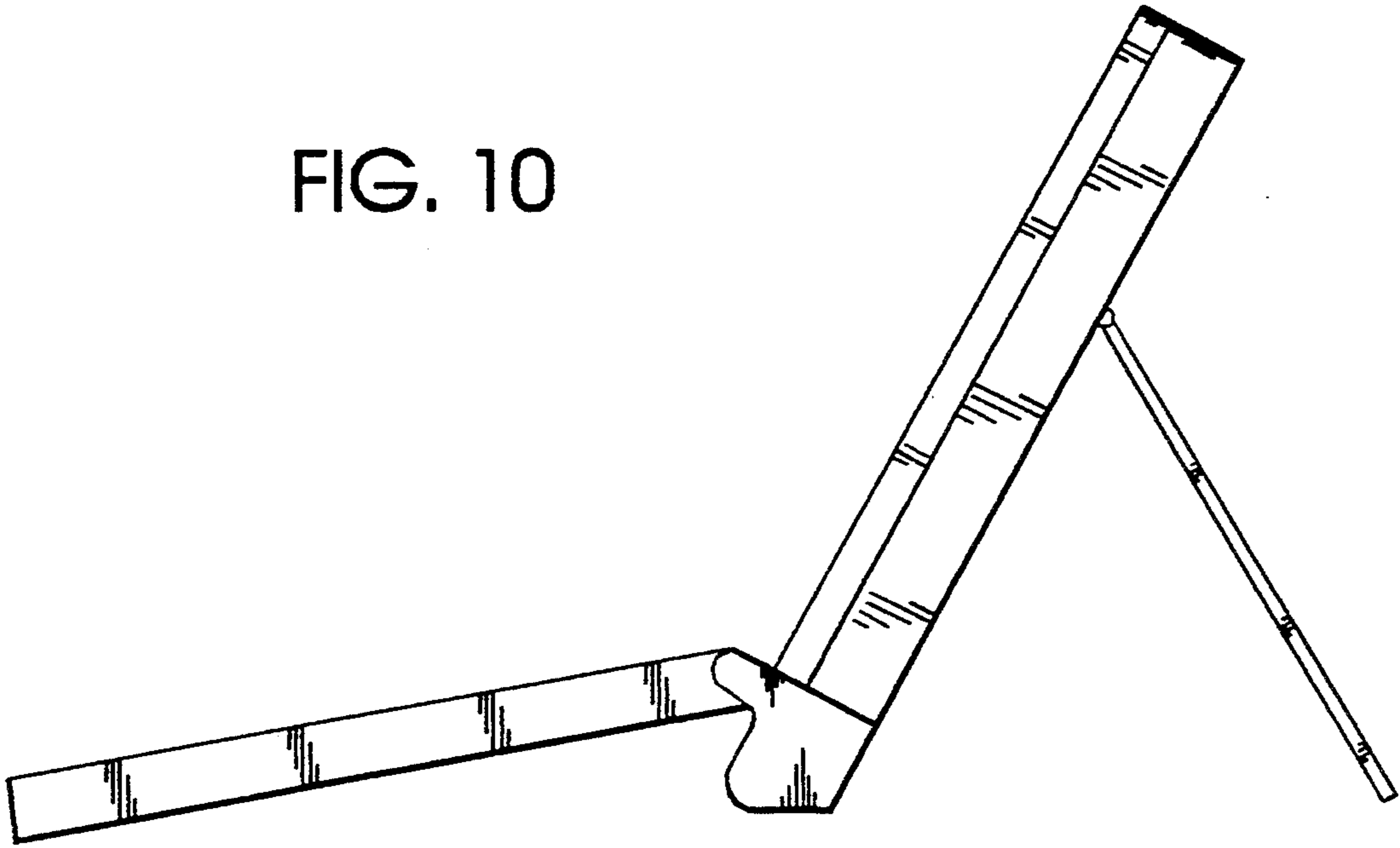


FIG. 11

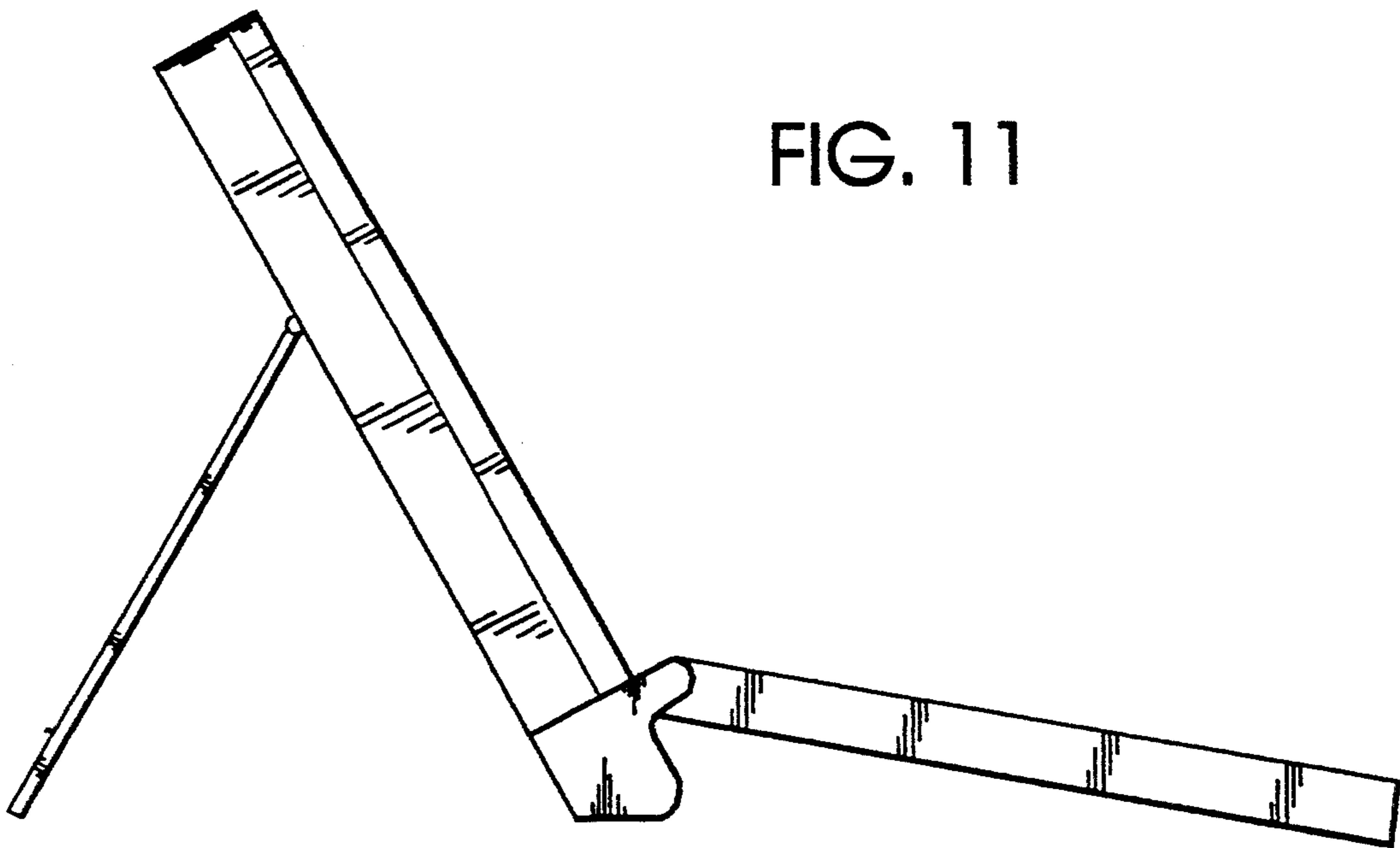


FIG. 12

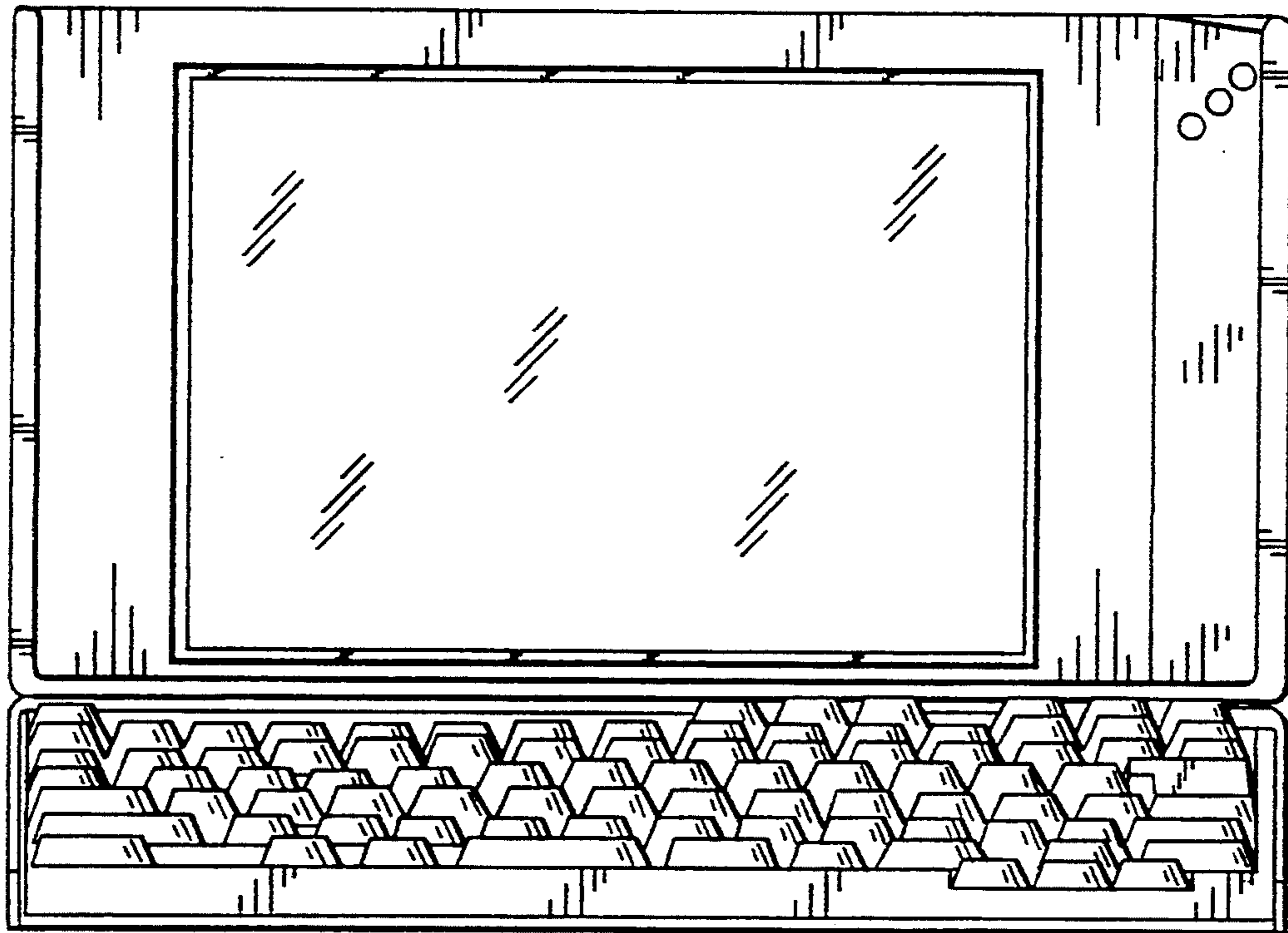


FIG. 13

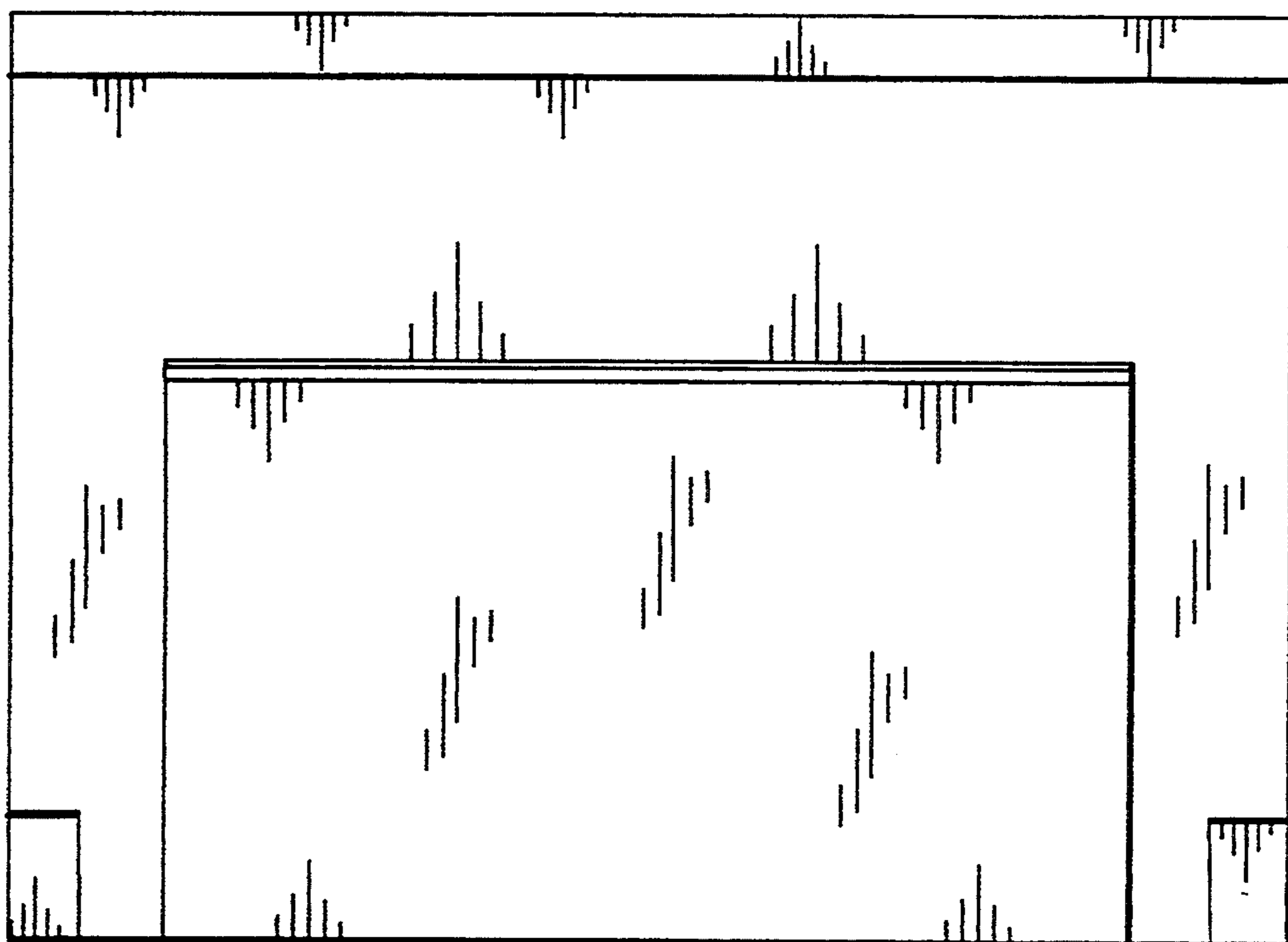


FIG. 14

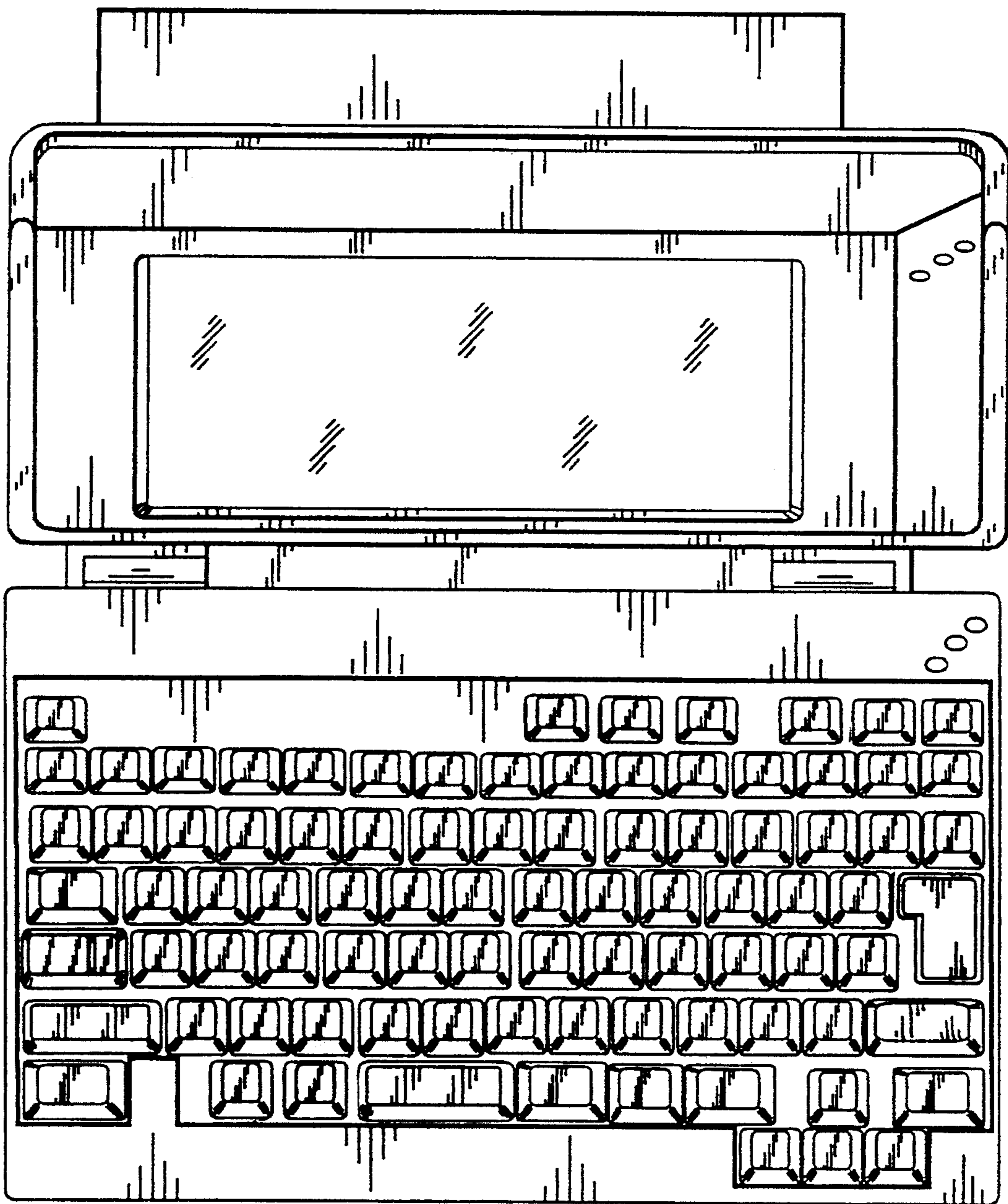


FIG. 15

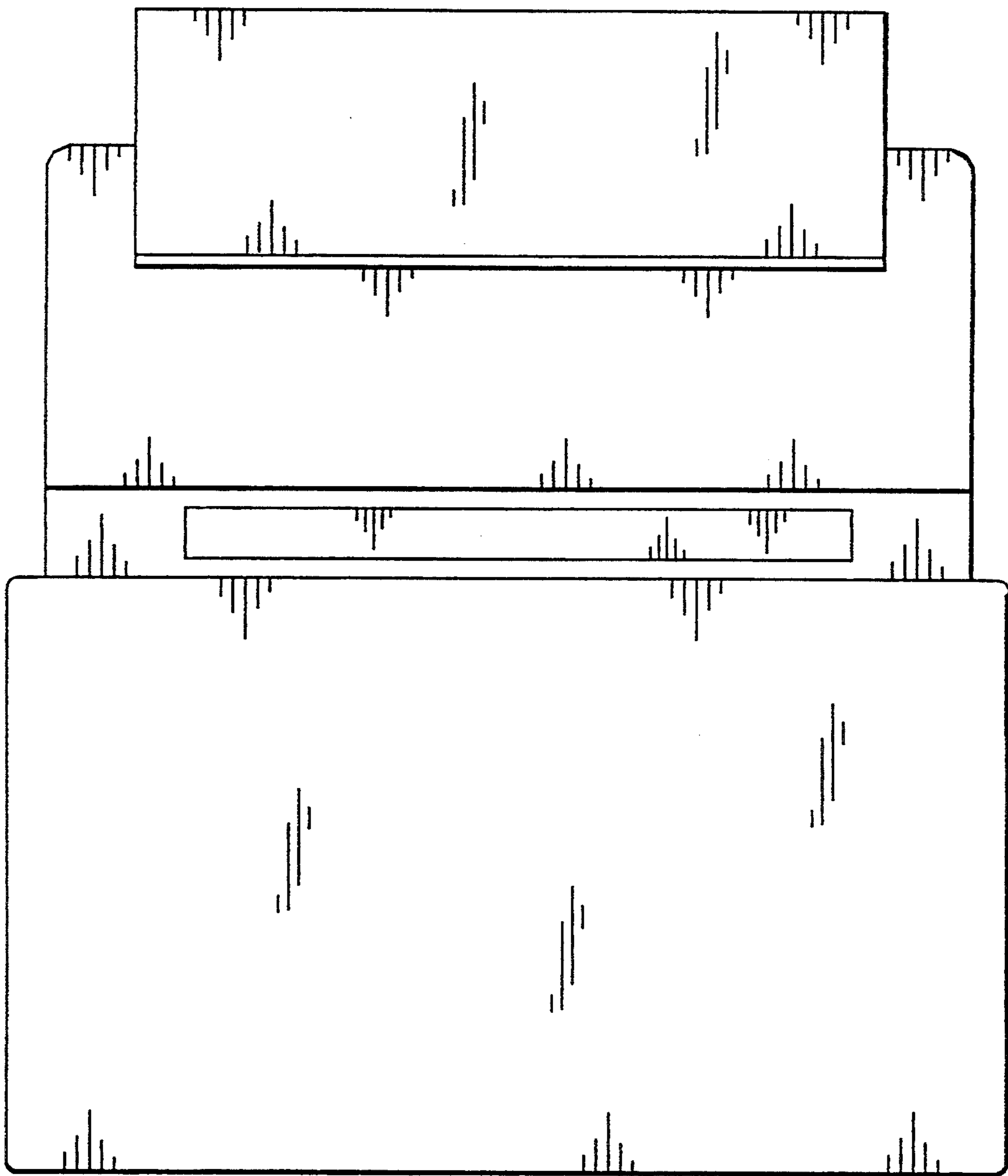


FIG. 16

