



US00D358367S

United States Patent [19]

Hoofnagle et al.

[11] Patent Number: **Des. 358,367**

[45] Date of Patent: **** May 16, 1995**

[54] LAN CABLE IDENTIFIER

[75] Inventors: **Wayne S. Hoofnagle**, Bellevue; **Roger L. Howell**, Seattle, both of Wash.

[73] Assignee: **Fluke Corporation**, Everett, Wash.

[**] Term: **14 Years**

[21] Appl. No.: **18,662**

[22] Filed: **Feb. 10, 1994**

[52] U.S. Cl. **D13/157**

[58] Field of Search **D13/147, 157; D14/256; 439/148, 488**

[56] **References Cited**

U.S. PATENT DOCUMENTS

- D. 304,027 10/1989 Matsuzaki D13/147
- D. 304,028 10/1989 Matsuzaki D13/147

- D. 321,503 11/1991 Ditzig D13/133
- 4,566,185 1/1986 Bryan et al. D13/157 X

Primary Examiner—James M. Gandy
Assistant Examiner—Joel Sincavage
Attorney, Agent, or Firm—George T. Noe

[57] **CLAIM**

The ornamental design for a lan cable identifier, as shown and described.

DESCRIPTION

FIG. 1 is a bottom, front, and right side perspective view showing our new design; FIG. 2 is a front elevational view; FIG. 3 is a right side elevational view, the left side elevational view being a mirror image; FIG. 4 is a rear elevational view; FIG. 5 is a top plan view; and, FIG. 6 is a bottom plan view thereof.

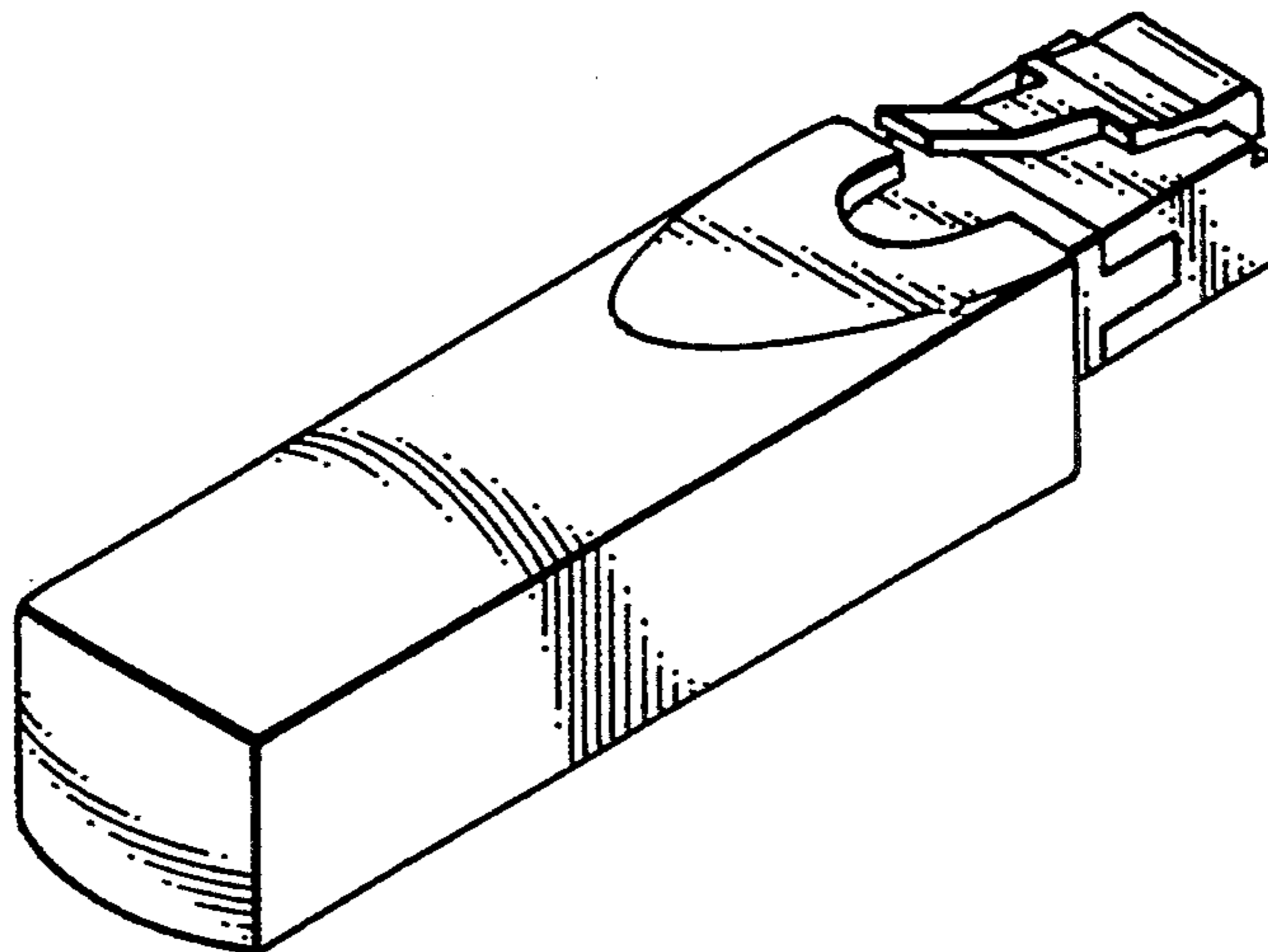


FIG. 1

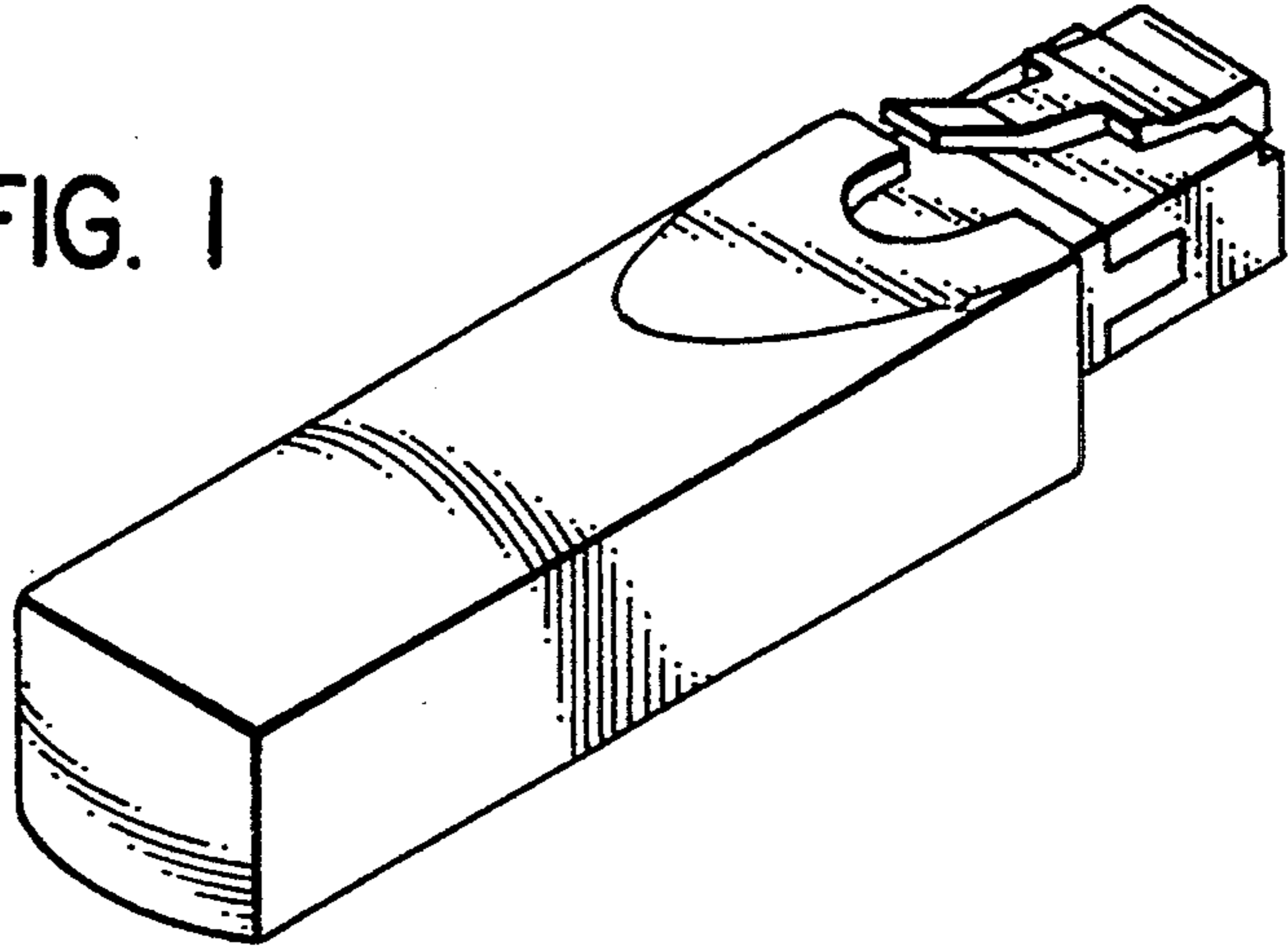


FIG. 2

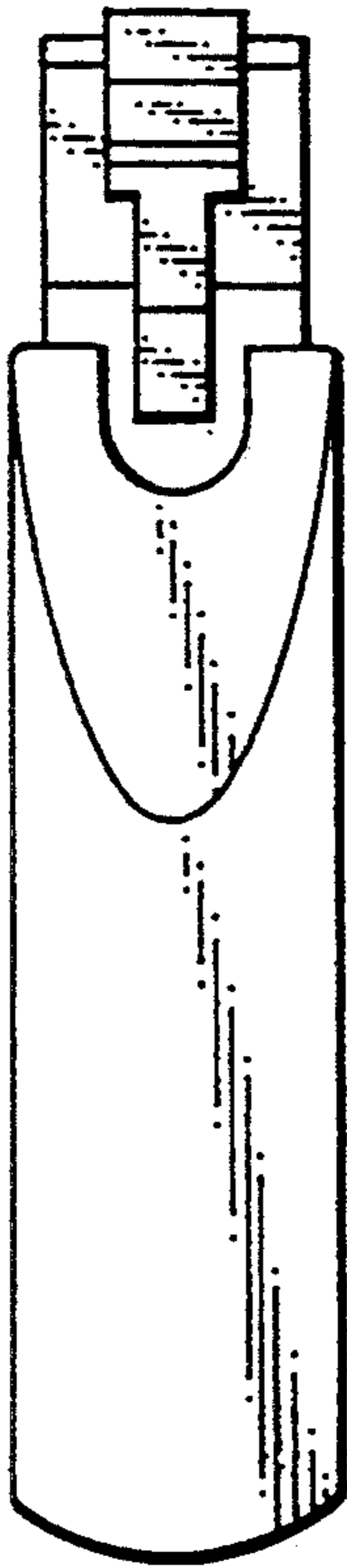


FIG. 3



FIG. 4

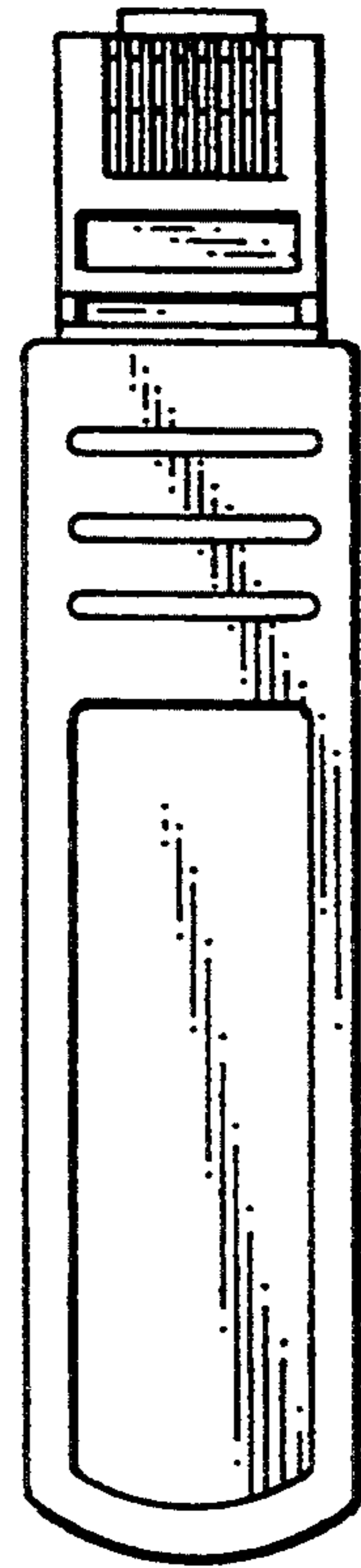


FIG. 5

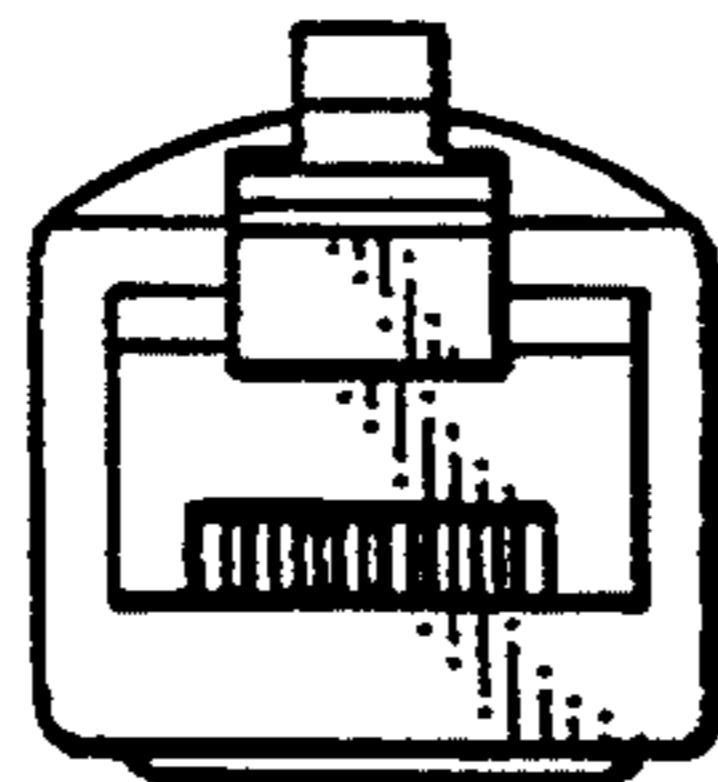


FIG. 6

