



US00D358365S

United States Patent [19]

Rodeffer et al.

[11] Patent Number: **Des. 358,365**

[45] Date of Patent: **** May 16, 1995**

[54] POWER SUPPLY HOUSING

[75] Inventors: **Charles E. Rodeffer; Randy L. Sperry**, both of Burlington, Iowa

[73] Assignee: **Winegard Company**, Burlington, Iowa

[**] Term: **14 Years**

[21] Appl. No.: **18,784**

[22] Filed: **Feb. 14, 1994**

[52] U.S. Cl. **D13/110**

[58] Field of Search **D13/110, 123, 162; 307/150; 336/90; 363/15; 361/728, 730, 752, 836**

[56] **References Cited**

U.S. PATENT DOCUMENTS

D. 191,871	12/1961	Maecker	D13/110
D. 271,684	12/1983	Berry, Jr.	D13/123 X
D. 319,425	8/1991	Bibbiani	D13/162 X
D. 338,653	8/1993	Morgan et al.	D13/110
4,342,946	8/1982	Valenzona et al.	361/728 X
4,840,286	6/1989	Heberling et al.	361/728 X
5,283,712	2/1994	Michihira et al.	361/752 X

FOREIGN PATENT DOCUMENTS

2662325 11/1991 France 361/730

OTHER PUBLICATIONS

Power supplies on p. 235 of *HongKong Enterprise*, Oct. 1989.

Primary Examiner—Joel Sincavage
Attorney, Agent, or Firm—Dorr, Carson, Sloan & Peterson

[57] **CLAIM**

The ornamental design for a power supply housing, as shown and described.

DESCRIPTION

FIG. 1 is a perspective view of a power supply housing showing our new design;
 FIG. 2 is a right side elevational view thereof, the left side elevational view thereof being a mirror image;
 FIG. 3 is a top plan view thereof;
 FIG. 4 is a front elevational view thereof;
 FIG. 5 is a rear elevational view thereof; and,
 FIG. 6 is a bottom plan view thereof.

The broken lines in FIGS. 1, 3, 5 and 6 are included for the purpose of illustrating holes in the article, per se, in which the design is embodied and form no part of the claimed design.

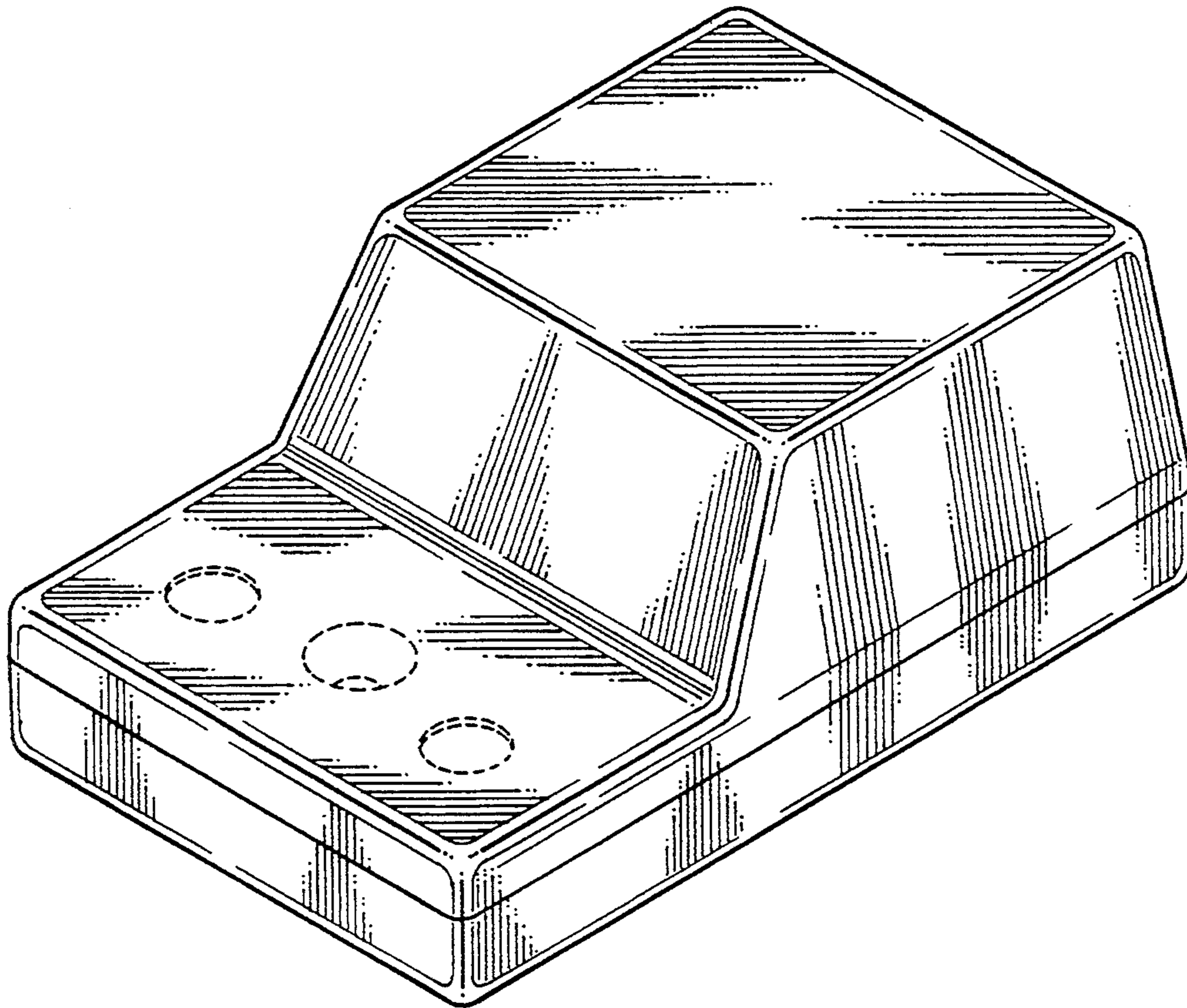


Fig. 1

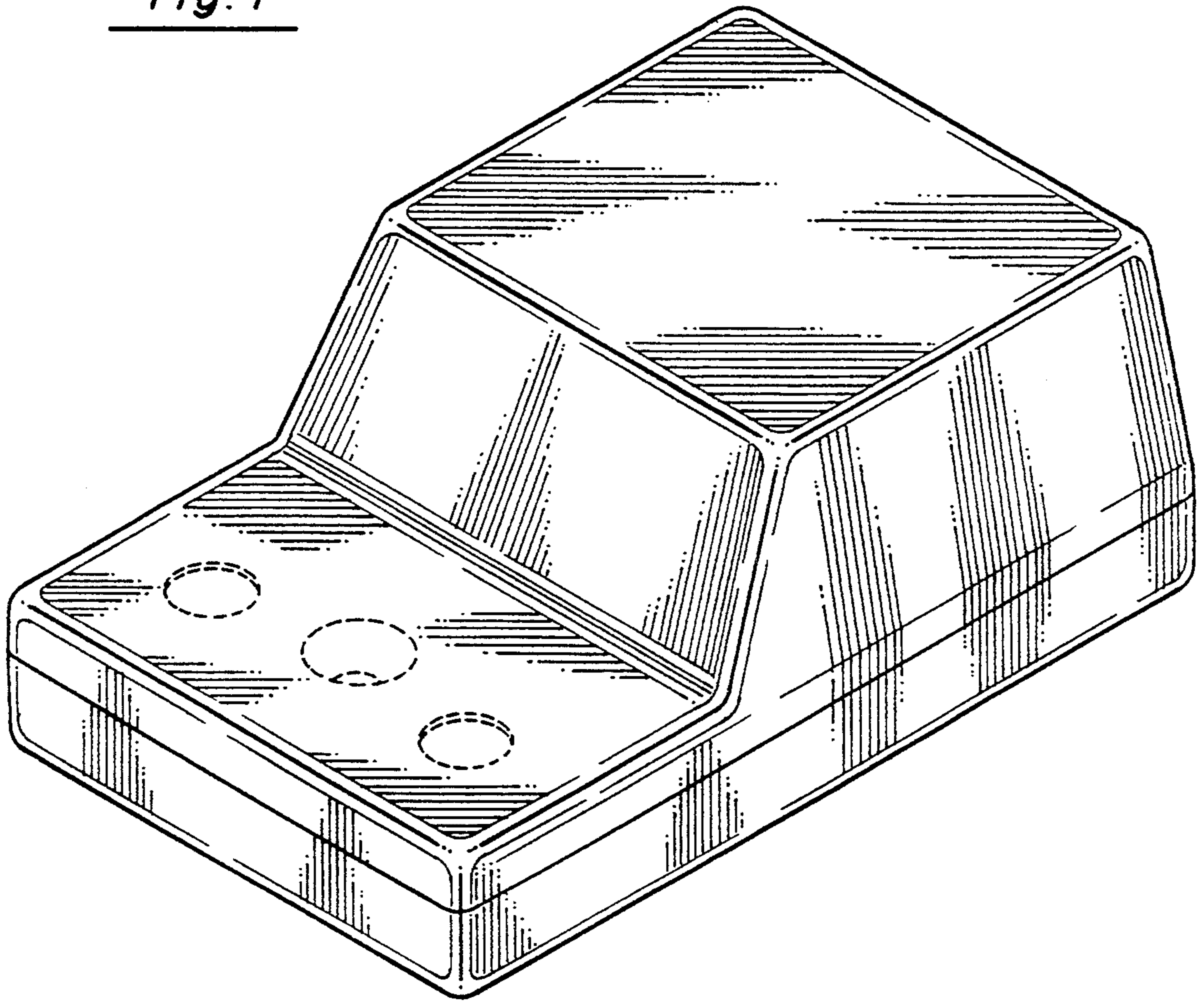


Fig. 2

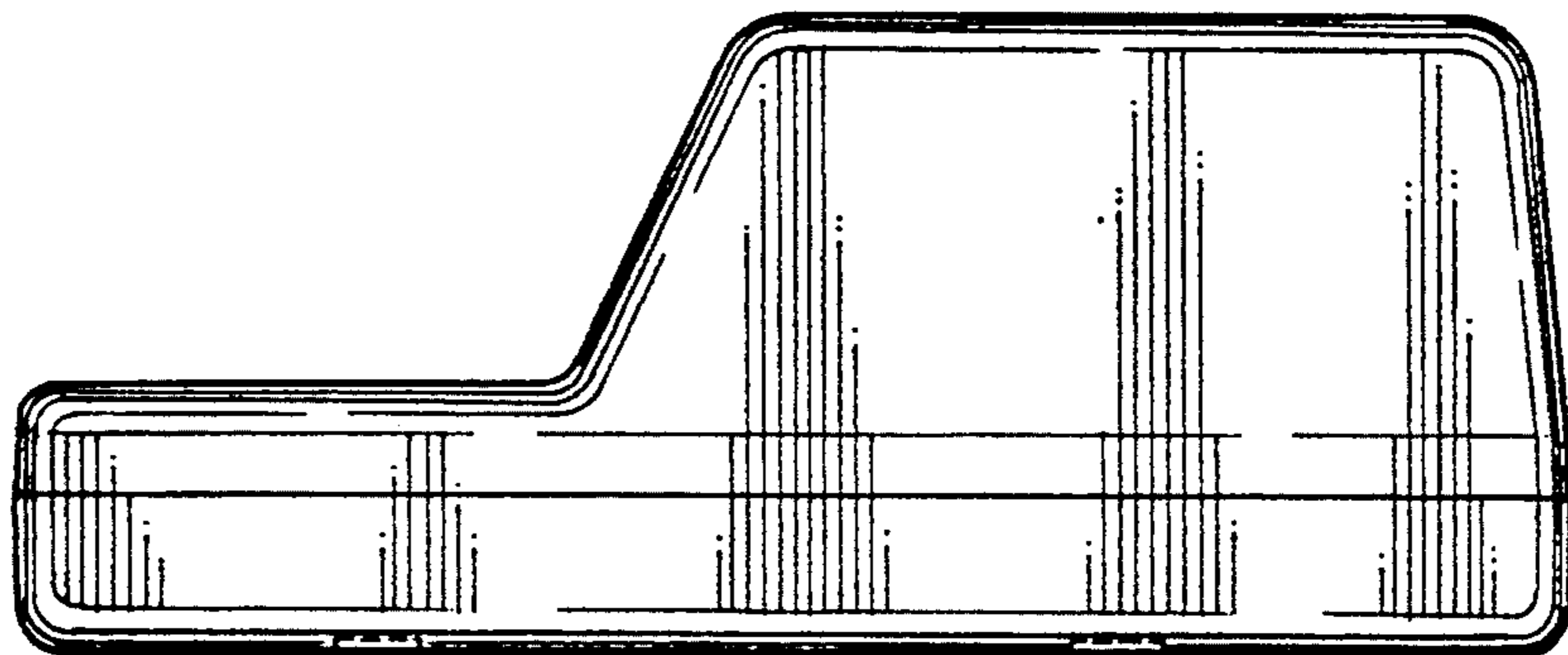


Fig. 3

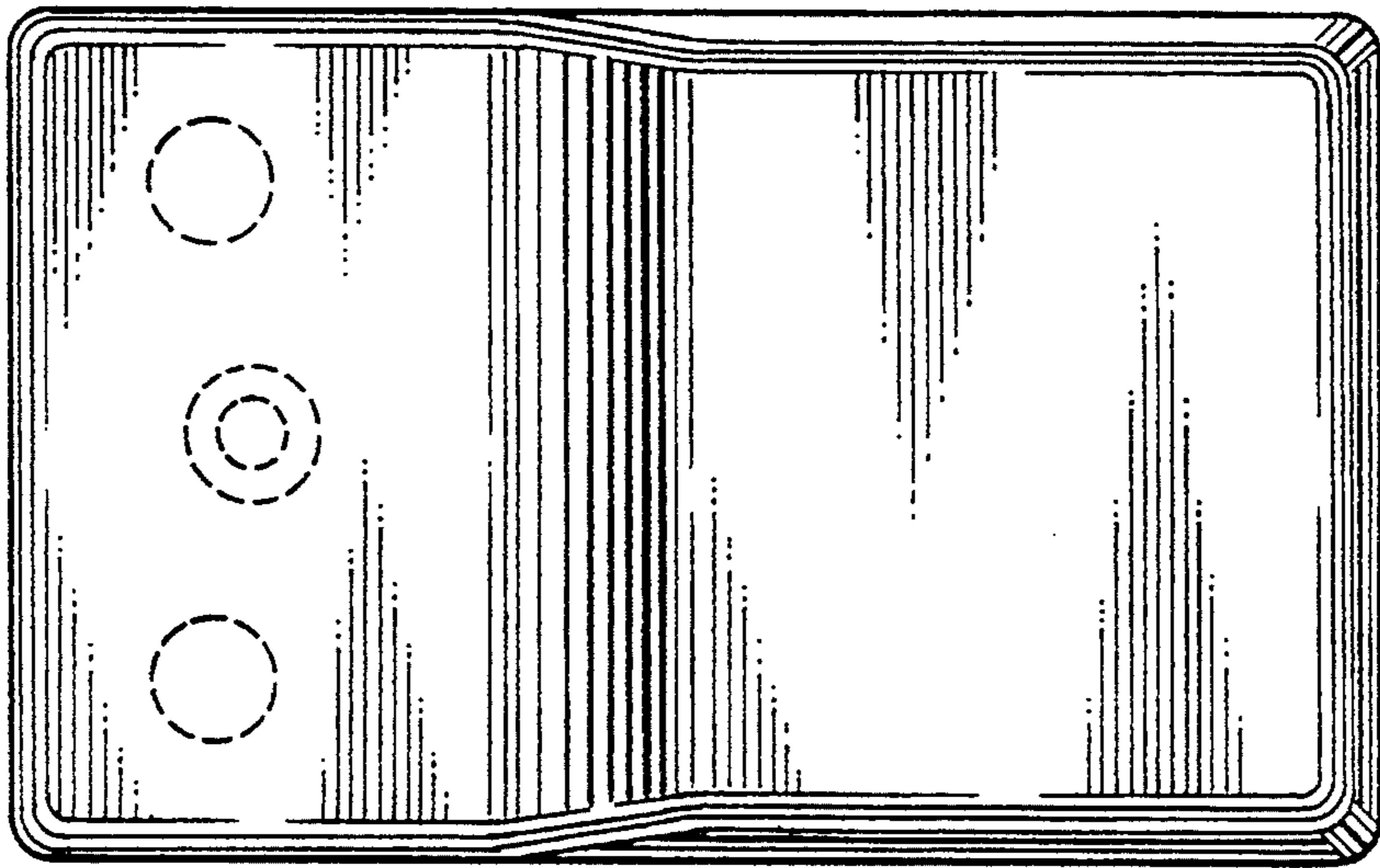


Fig. 4

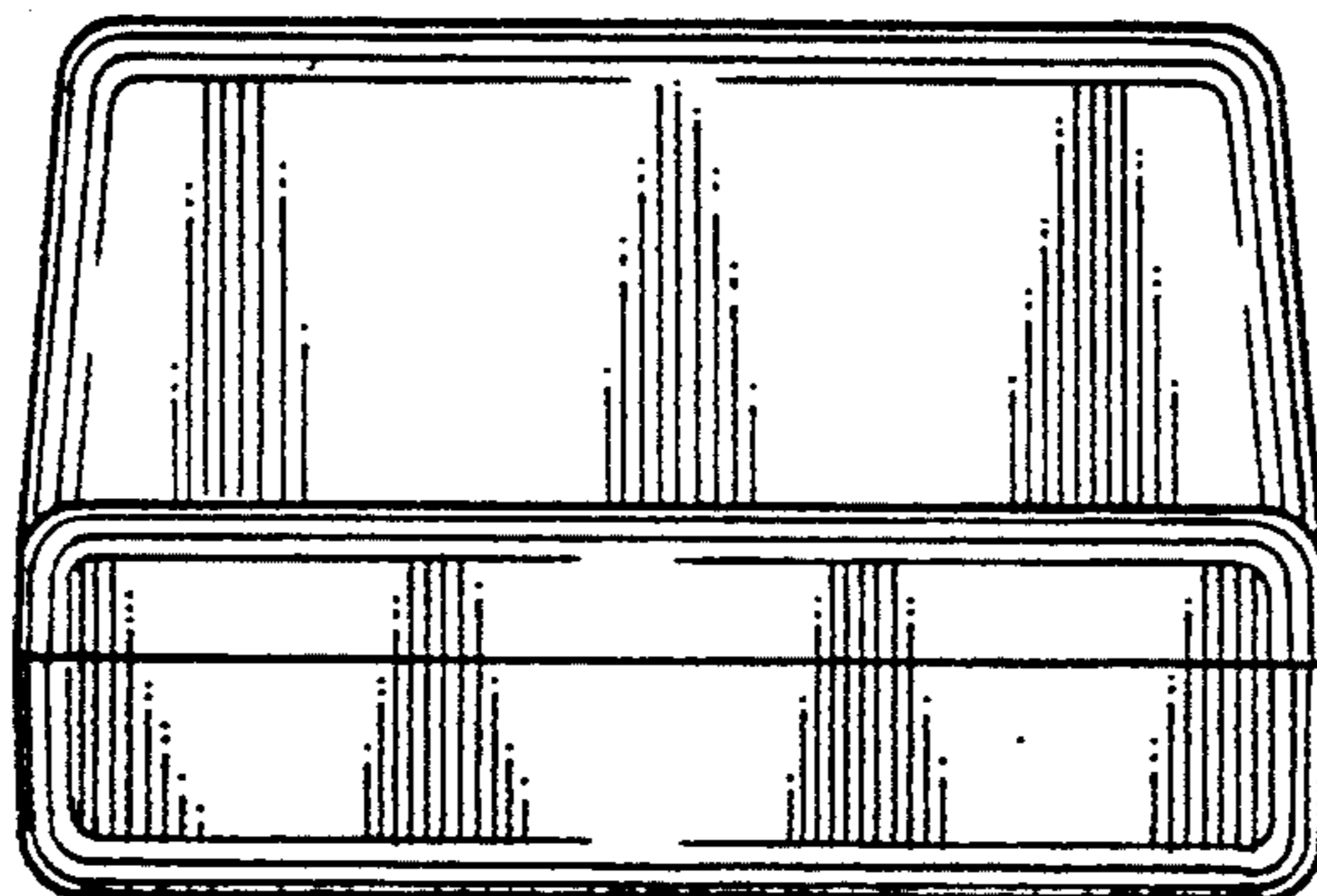


Fig. 5

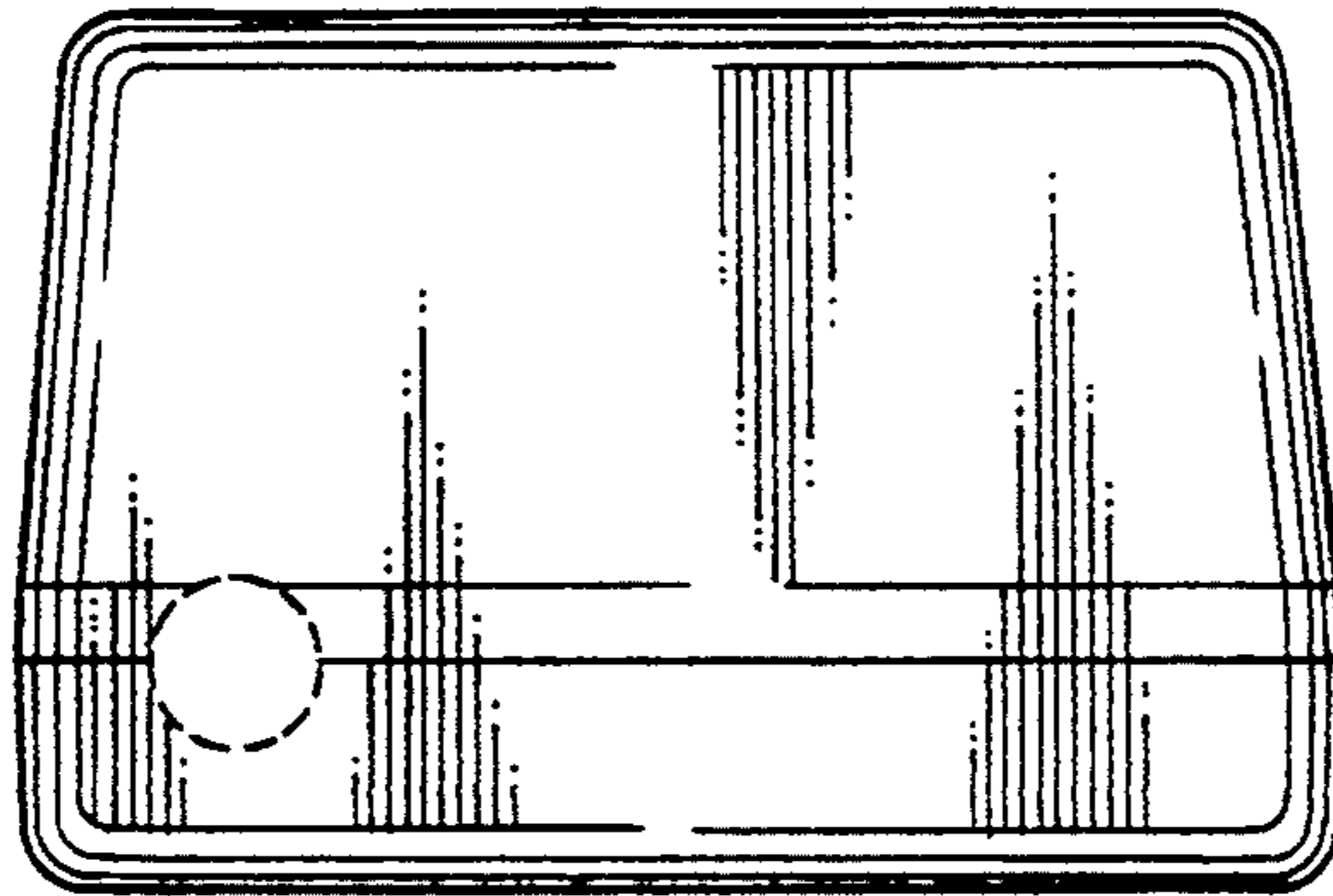


Fig. 6

