



US00D358363S

United States Patent [19]

[11] Patent Number: **Des. 358,363**

Usami

[45] Date of Patent: **** May 16, 1995**

[54] BATTERY CHARGER

[75] Inventor: **Satoru Usami, Osaka, Japan**

[73] Assignee: **Matsushita Electric Industrial Co., Ltd., Osaka, Japan**

[**] Term: **14 Years**

[21] Appl. No.: **19,828**

[22] Filed: **Mar. 14, 1994**

[30] Foreign Application Priority Data

Sep. 13, 1993 [JP]	Japan	5-27830
Sep. 13, 1993 [JP]	Japan	5-27831

[52] U.S. Cl. **D13/107**

[58] Field of Search **D13/107, 108; 320/2, 320/3, 4, 15**

[56] References Cited

U.S. PATENT DOCUMENTS

D. 277,845	3/1985	Ip	D13/107
D. 278,703	5/1985	Chiodo et al.	D13/107
D. 333,120	2/1993	Shimoo et al.	D13/107
4,766,361	8/1988	Pusateri	320/15 X

OTHER PUBLICATIONS

Battery chargers on p. 29 of *Allied Electronics* catalog ©1990.

Battery chargers on p. 109 of *Radio Shack* catalog ©1990.

Primary Examiner—Joel Sincavage
Attorney, Agent, or Firm—Sughrue, Mion, Zinn, Macpeak & Seas

[57] CLAIM

The ornamental design for a battery charger, as shown and described.

DESCRIPTION

FIG. 1 is a perspective view of the top, front and right side of a battery charger showing my new design;

FIG. 2 is a perspective view of the bottom, rear and left side thereof;

FIG. 3 is a perspective view of the top, front and right side of a second embodiment of a battery charger showing my new design; and,

FIG. 4 is a perspective view of the bottom, rear and left side of the battery charger shown in FIG. 3.

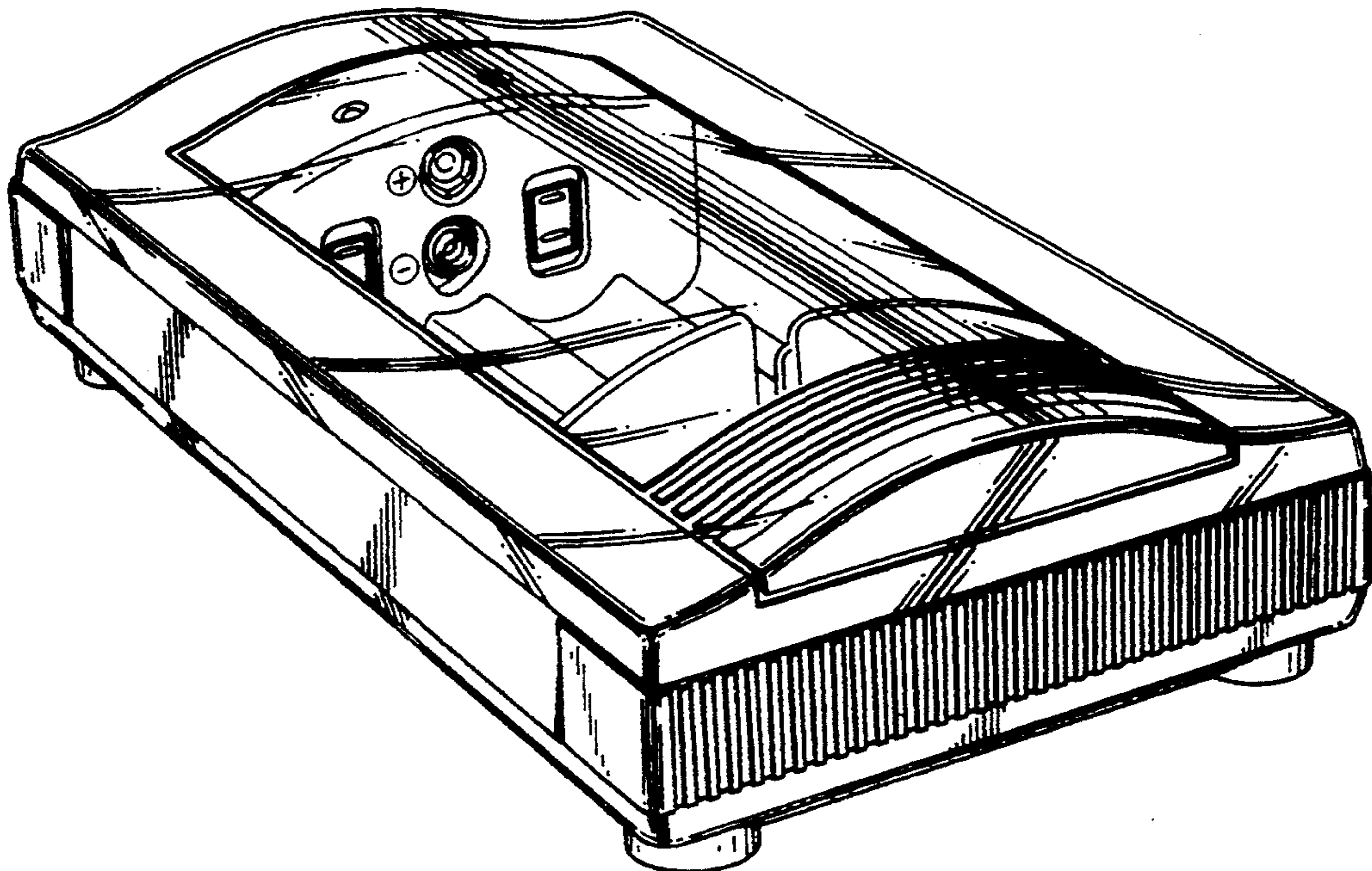


FIG. 1

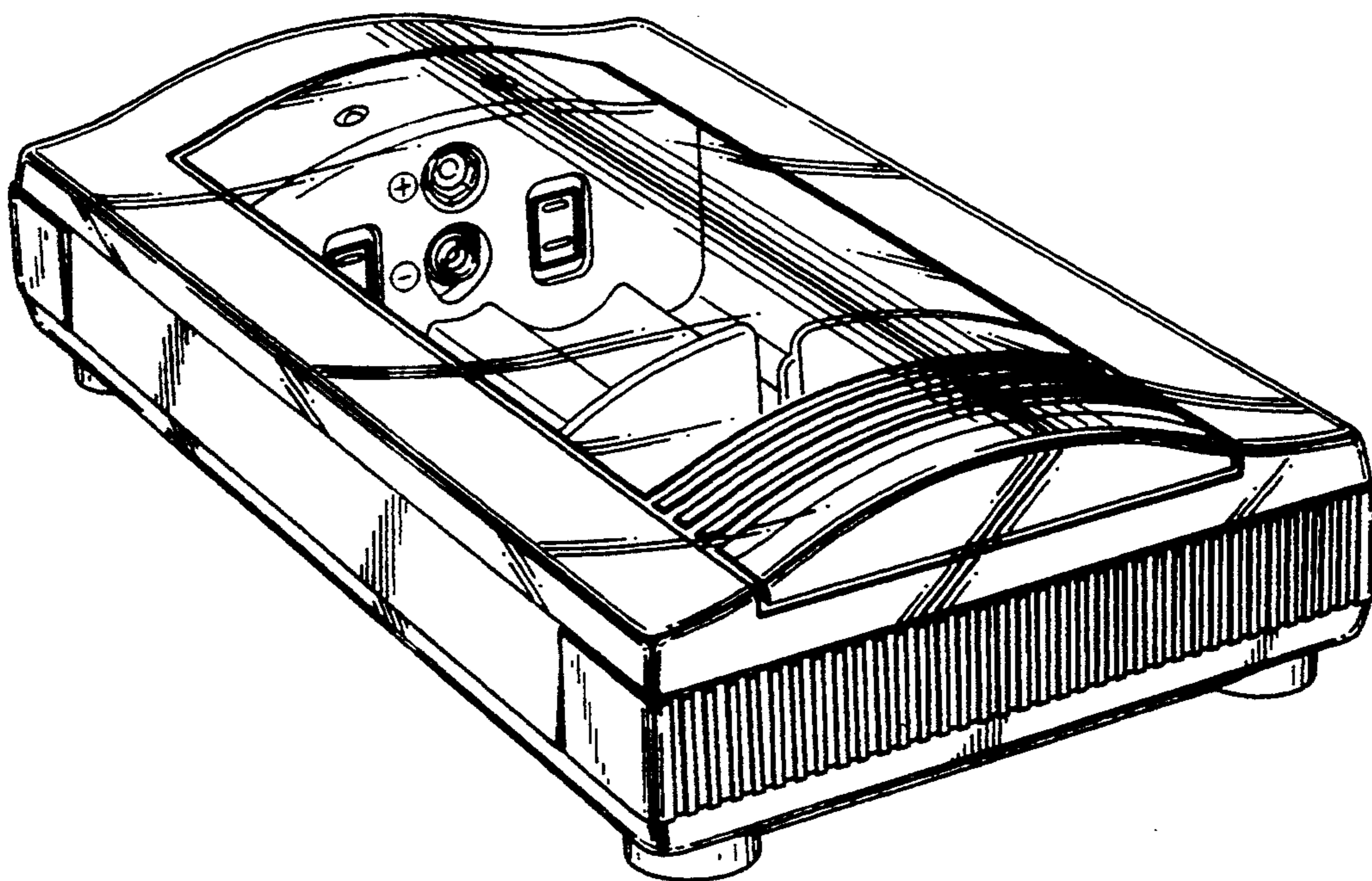


FIG. 2

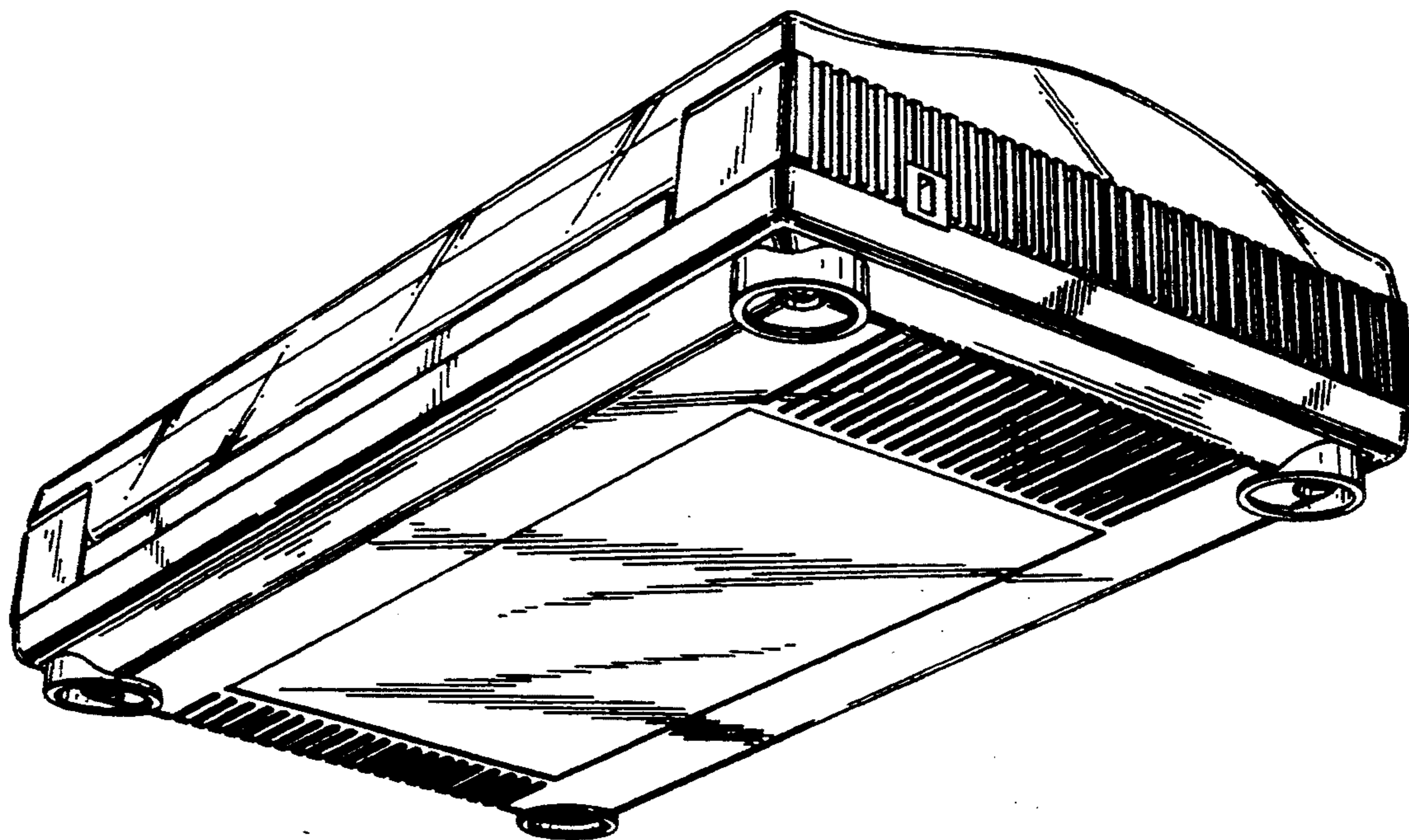


FIG. 3

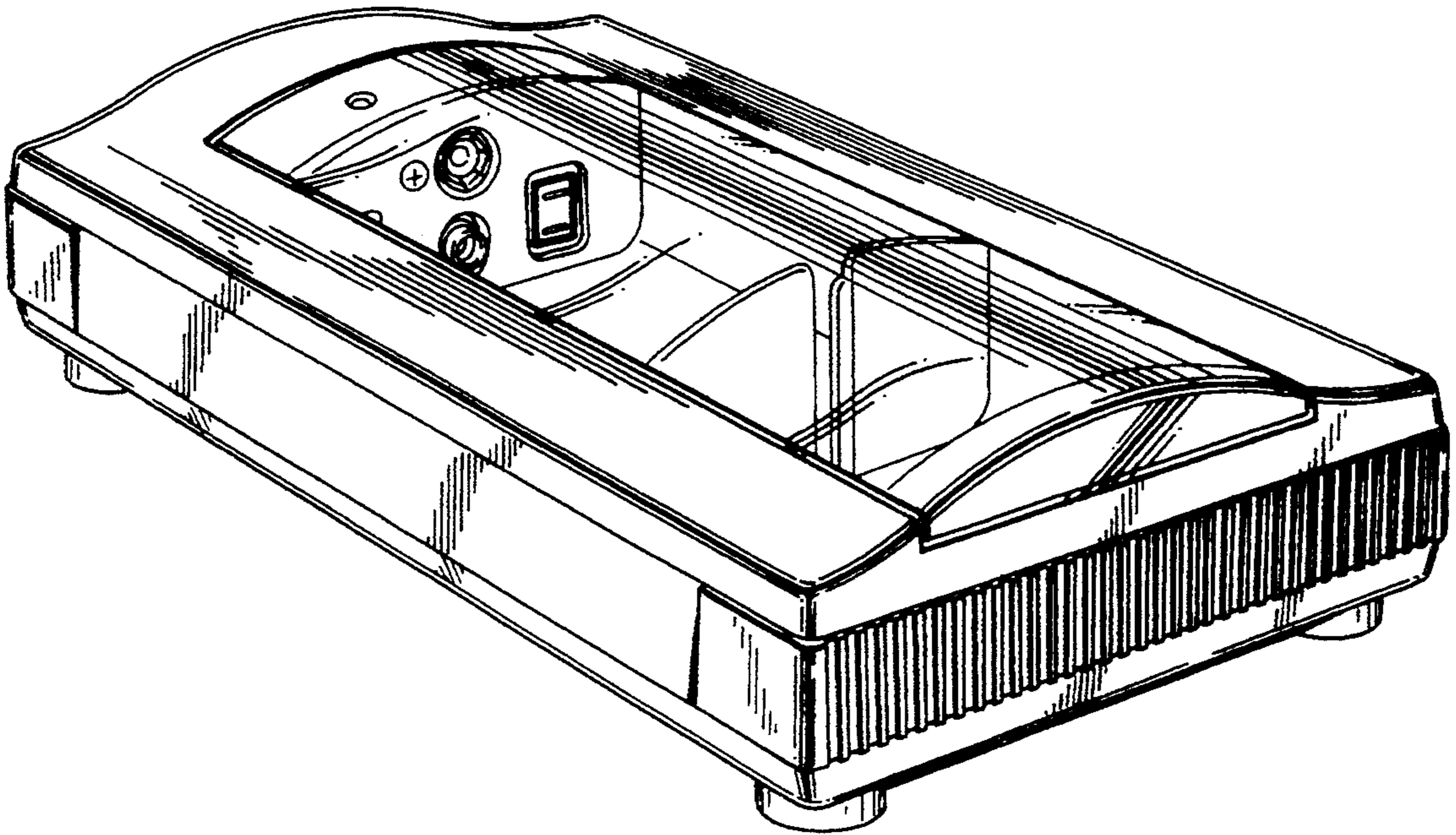


FIG. 4

