



US00D358359S

United States Patent [19]

[11] Patent Number: **Des. 358,359**

Shusterman

[45] Date of Patent: **** May 16, 1995**

[54] **LICENSE PLATE FRAME**

[75] Inventor: **Dan Shusterman, Santa Ana, Calif.**

[73] Assignee: **Superior Industries International, Inc., Van Nuys, Calif.**

[**] Term: **14 Years**

[21] Appl. No.: **19,039**

[22] Filed: **Feb. 22, 1994**

[52] U.S. Cl. **D12/193**

[58] Field of Search **D12/193; 40/200, 209, 40/210; D6/300, 303, 310, 304**

D. 348,037 6/1994 Hu D12/193
 D. 348,865 7/1994 Nogata D12/193
 D. 349,480 8/1994 Leu D12/193
 1,864,641 5/1932 Davis 40/208
 2,526,460 10/1950 Crocella 40/130
 2,590,763 3/1952 Floyd et al. 40/125
 2,910,793 11/1959 Helmer et al. 40/209
 2,921,395 1/1960 Fishman 40/209

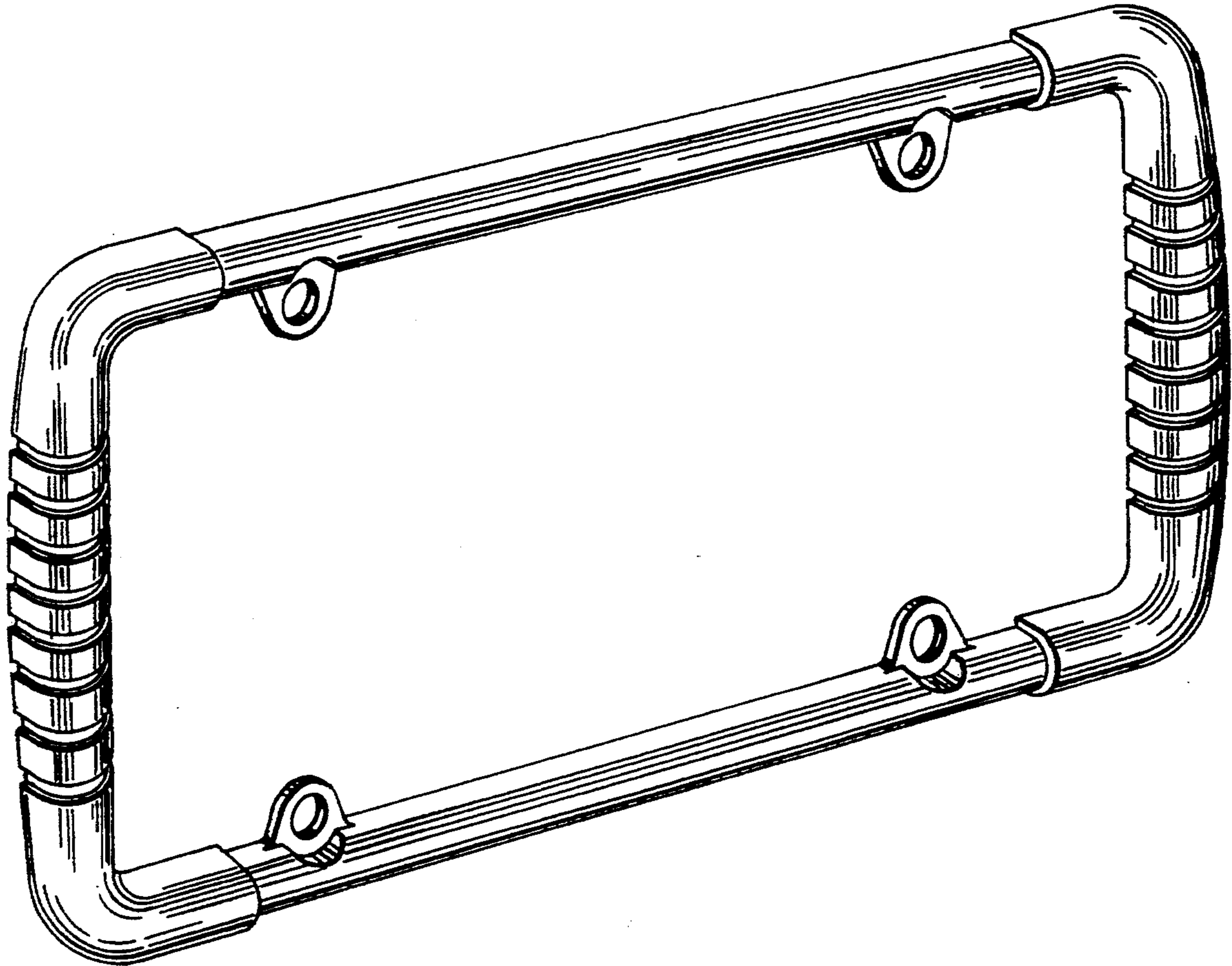
Primary Examiner—James M. Gandy
Assistant Examiner—M. Brown
Attorney, Agent, or Firm—Fulwider Patton Lee & Utecht

[56] **References Cited**
U.S. PATENT DOCUMENTS

D. 141,650 6/1945 Moglen D29/20
 D. 142,720 10/1945 Kissling D29/20
 D. 159,314 7/1950 Baumgartner D12/193
 D. 176,332 12/1955 Helm D12/193
 D. 177,281 3/1956 Schwartz D12/193
 D. 303,179 9/1989 Evenson D6/310
 D. 331,217 11/1992 Spencer D12/193
 D. 332,596 1/1993 Corey D12/193
 D. 335,858 5/1993 Traeger D12/193
 D. 342,929 1/1994 Spencer D12/193

[57] **CLAIM**
 The ornamental design for a license plate frame, as shown and described.

DESCRIPTION
 FIG. 1 is a perspective view of a license plate frame showing my design;
 FIG. 2 is a front elevational view thereof;
 FIG. 3 is a rear elevational view thereof;
 FIG. 4 is a top plan view thereof with the bottom having the same appearance as the top; and,
 FIG. 5 is an end view thereof, with the opposite side having the same appearance as that shown.



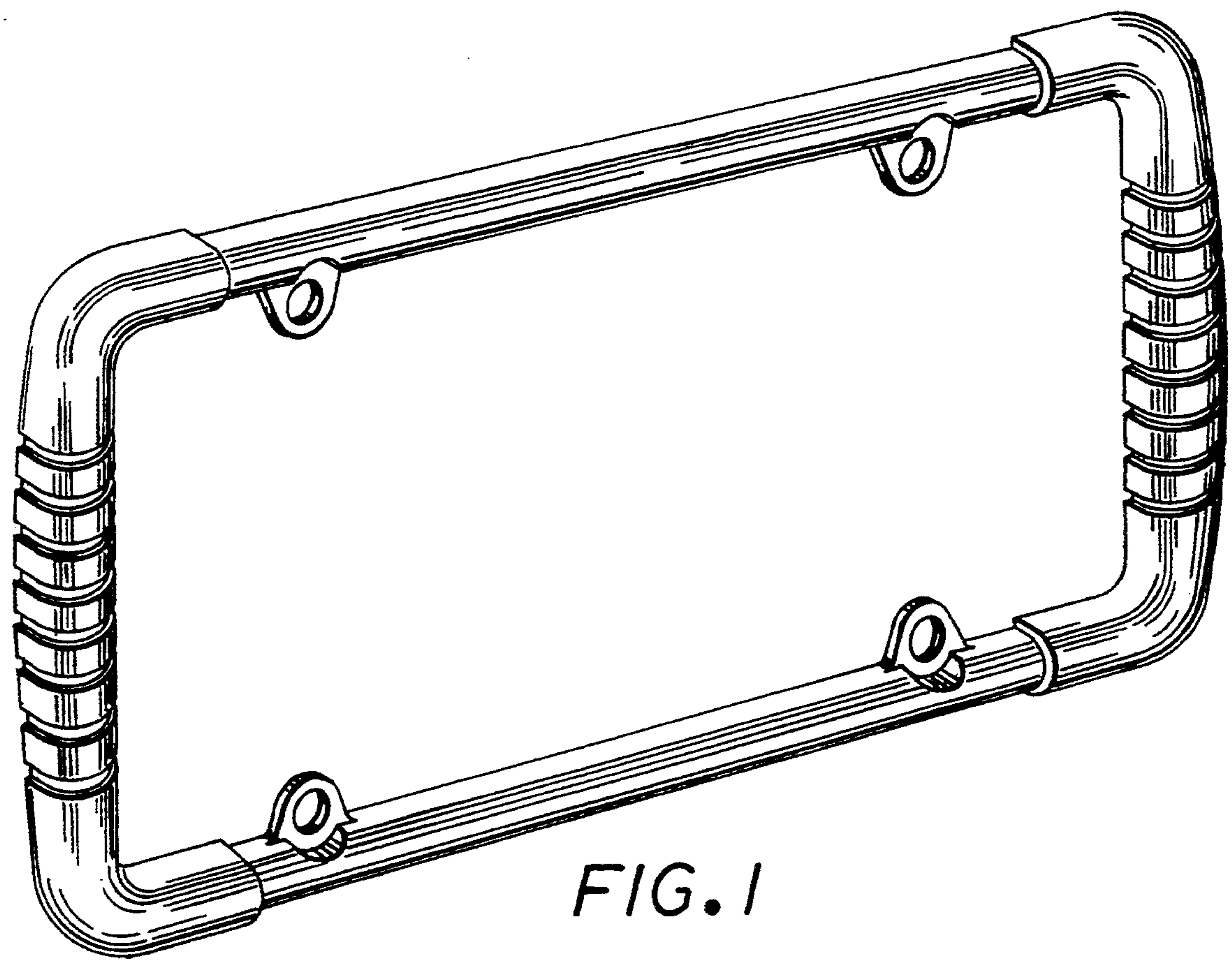


FIG. 1

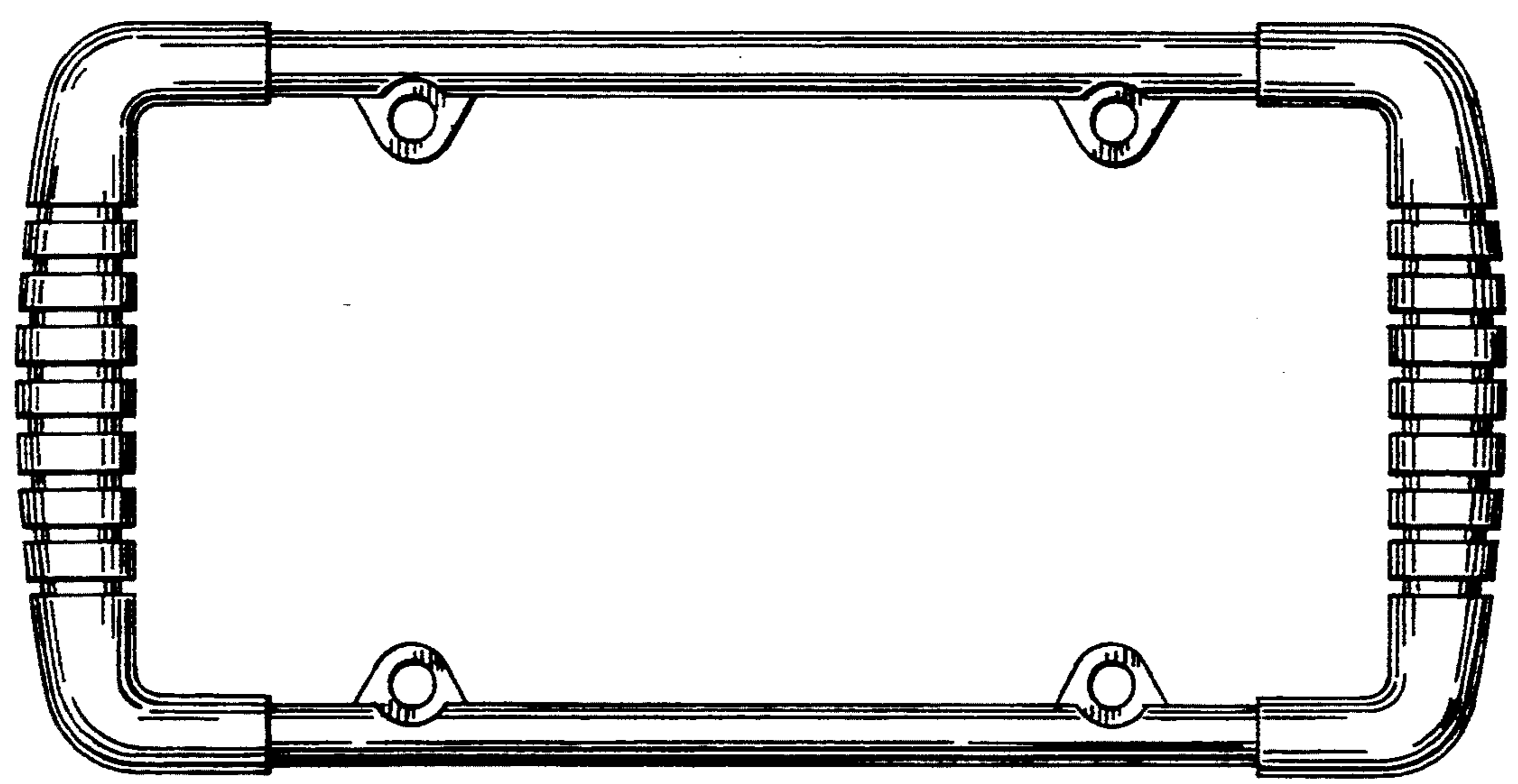


FIG. 2

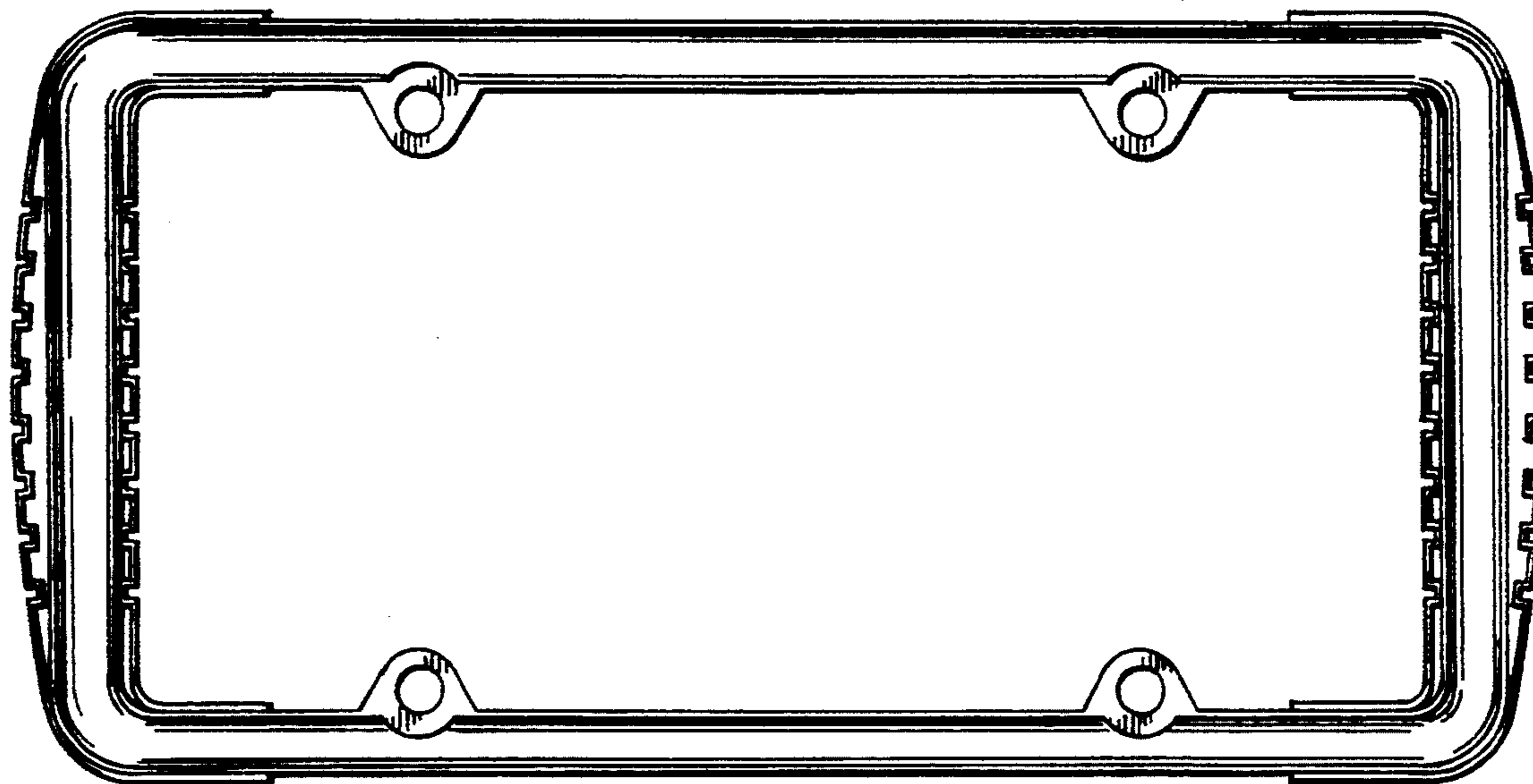


FIG. 3

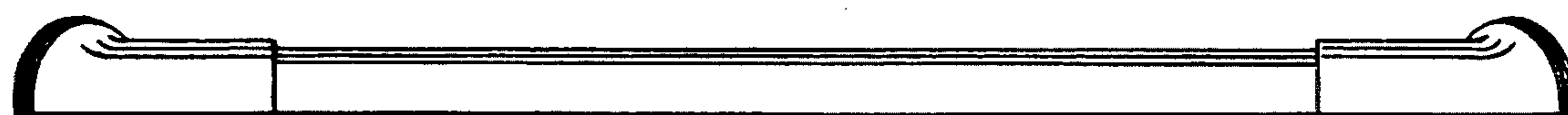


FIG. 4



FIG. 5