



US00D358358S

United States Patent [19]

[11] Patent Number: **Des. 358,358**

Burroughs

[45] Date of Patent: **** May 16, 1995**

[54] **DOOR GUARD**

3,563,594	2/1971	London	293/128
4,530,519	7/1985	Marshall	293/128
4,950,023	8/1990	Waller et al.	296/153

[76] Inventor: **Nathaniel Burroughs, P.O. Box 677, Wurtsboro, N.Y. 12790-0677**

Primary Examiner—James M. Gandy
Assistant Examiner—M. Brown

[**] Term: **14 Years**

[21] Appl. No.: **16,342**

[57] **CLAIM**

[22] Filed: **Dec. 14, 1993**

The ornamental design for a door guard, as shown and described.

[52] U.S. Cl. **D12/167**

[58] Field of Search **D12/167, 190; 293/126, 293/128; 280/770; 296/136, 153**

DESCRIPTION

[56] **References Cited**

U.S. PATENT DOCUMENTS

D. 328,884	8/1992	Schaller	D12/167
D. 338,646	8/1993	Orter	D12/167
D. 342,708	12/1993	Stoeck	D12/167
D. 368,848	6/1990	Genicoff	D12/190

FIG. 1 is a front elevational view of the door guard showing my new design;
FIG. 2 is a rear elevational view thereof;
FIG. 3 is a left side elevational view thereof;
FIG. 4 is a right side elevational view thereof;
FIG. 5 is a top plan view thereof;
FIG. 6 is a bottom plan view thereof; and,
FIG. 7 is a perspective view thereof.

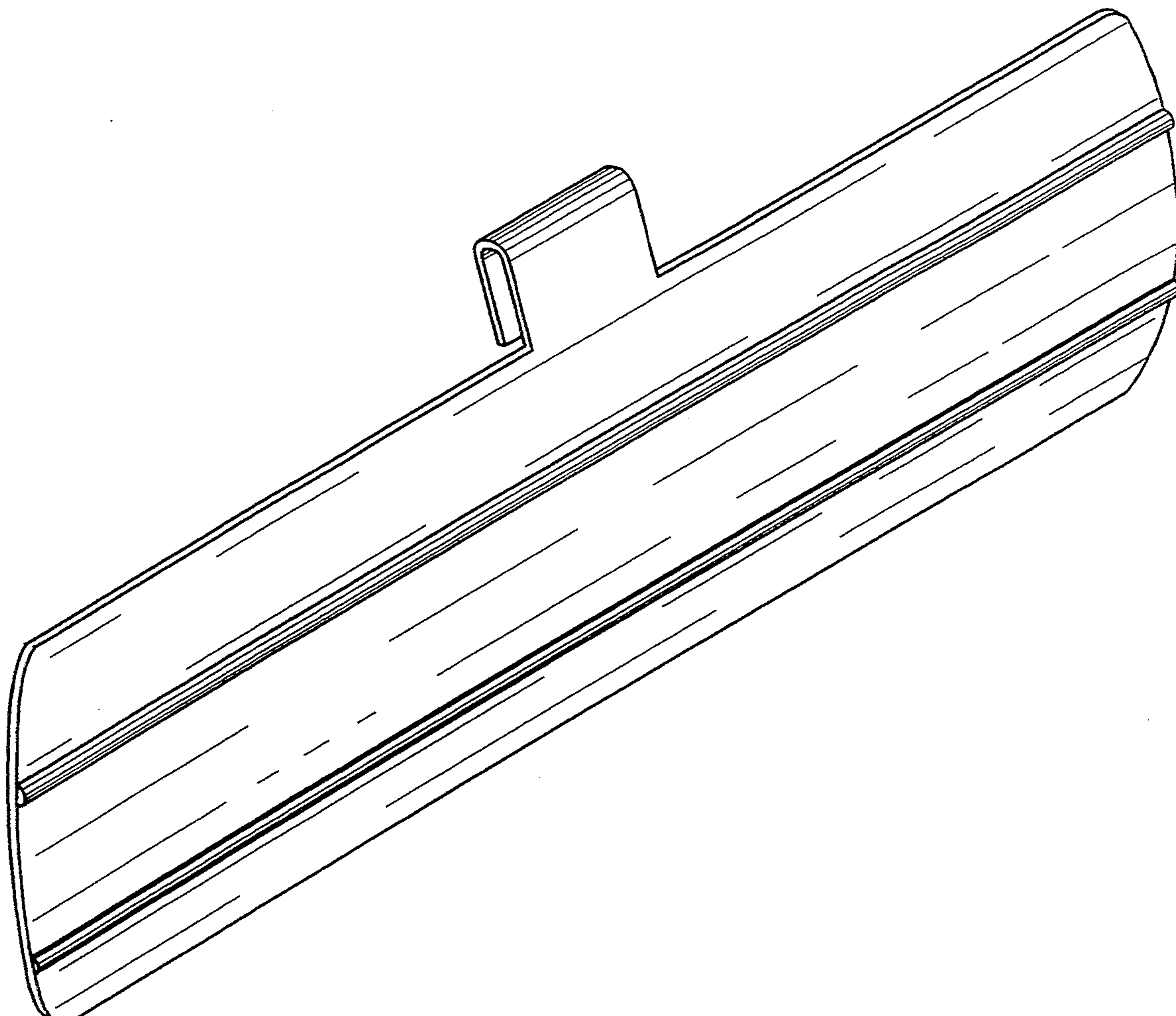


FIG. 1

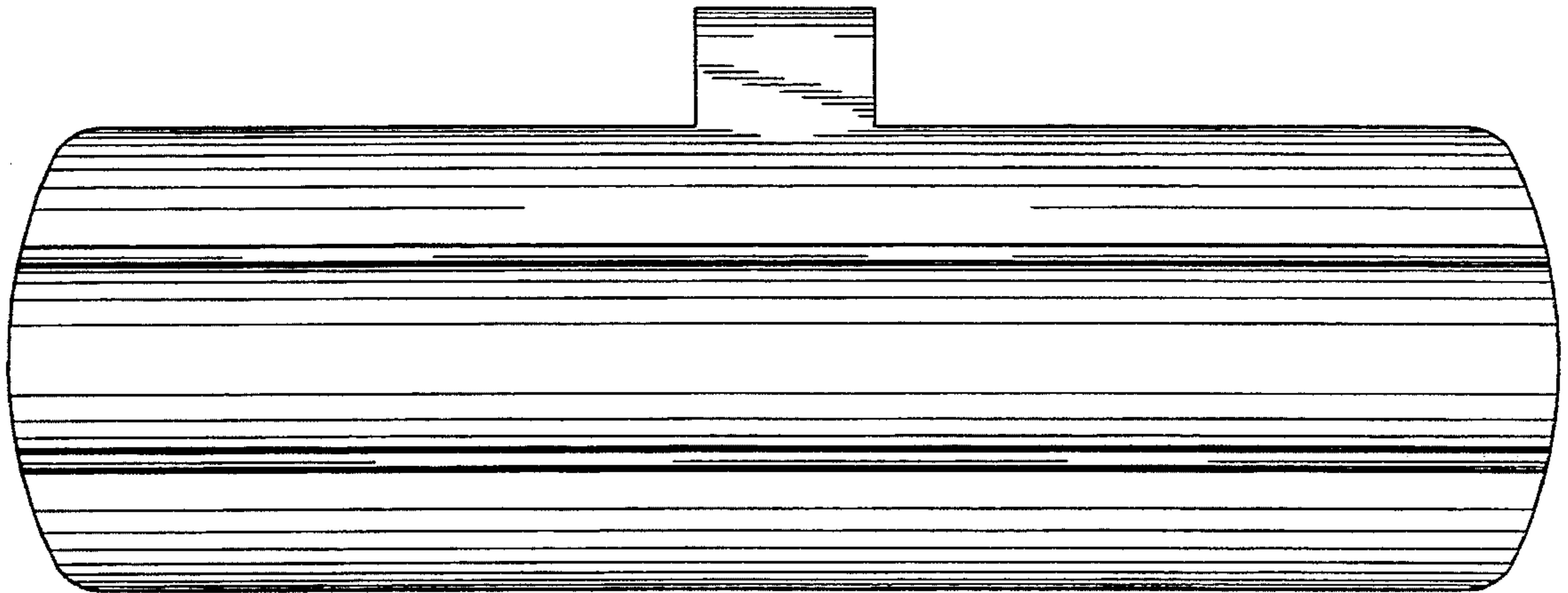


FIG. 2

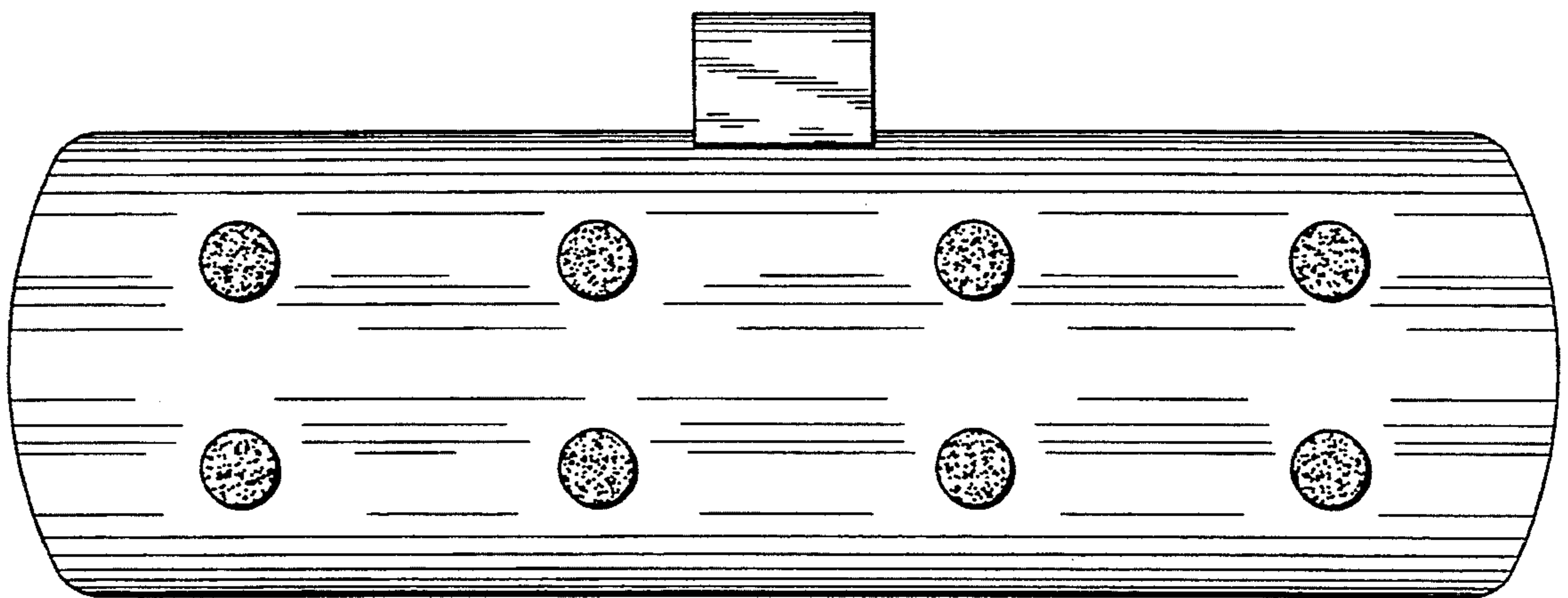


FIG. 3

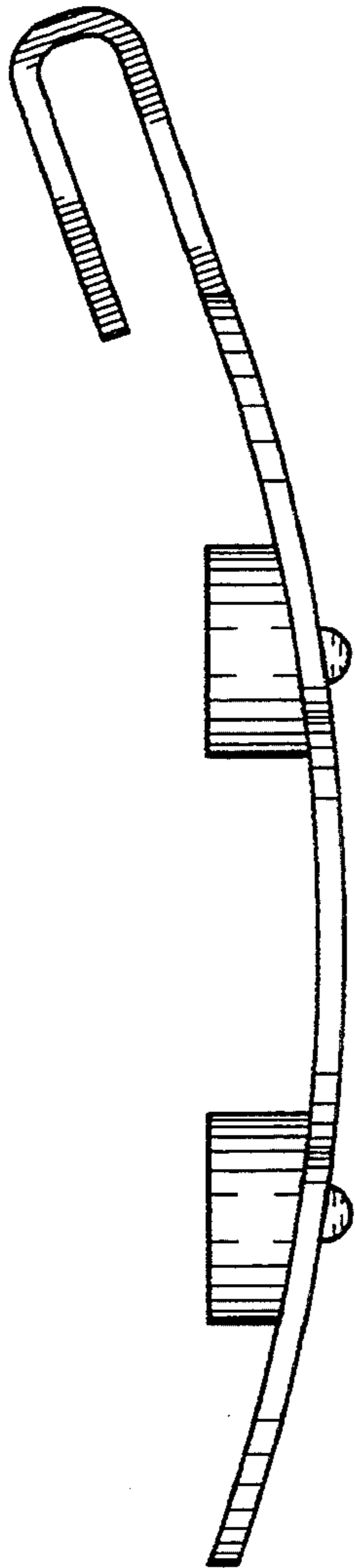


FIG. 4

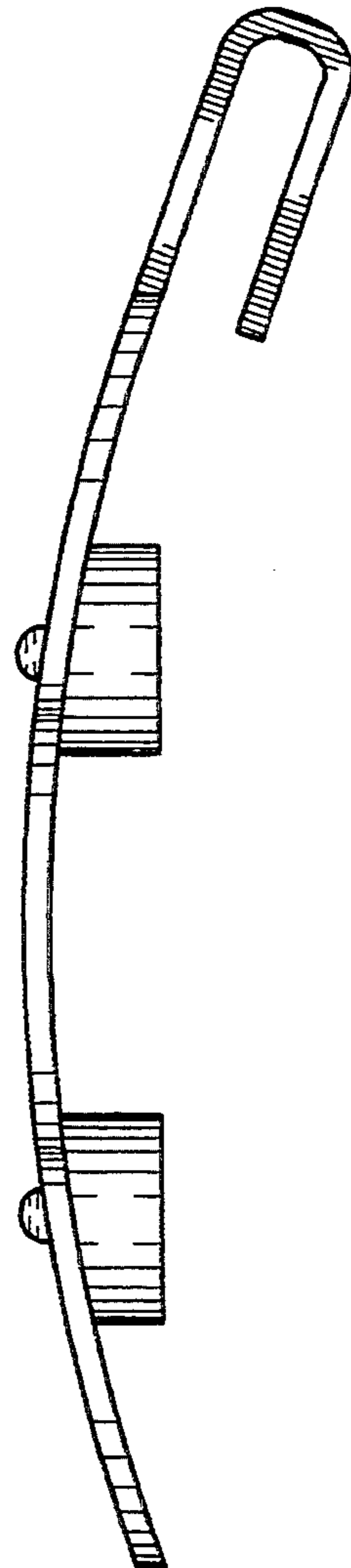


FIG. 5

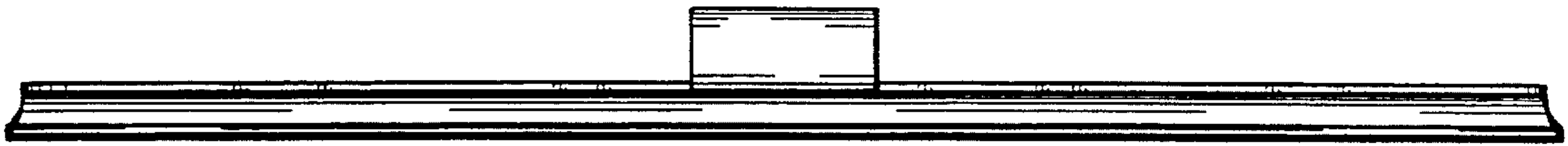
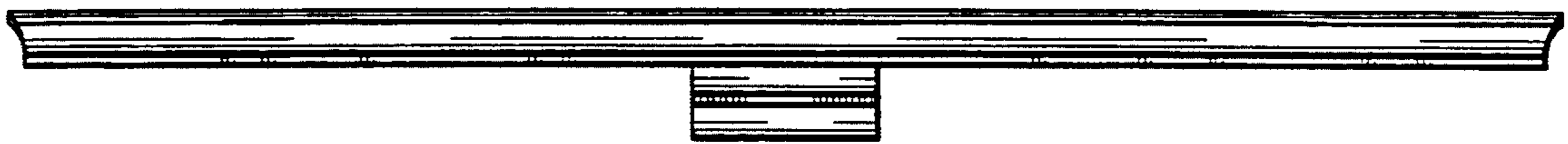


FIG. 6



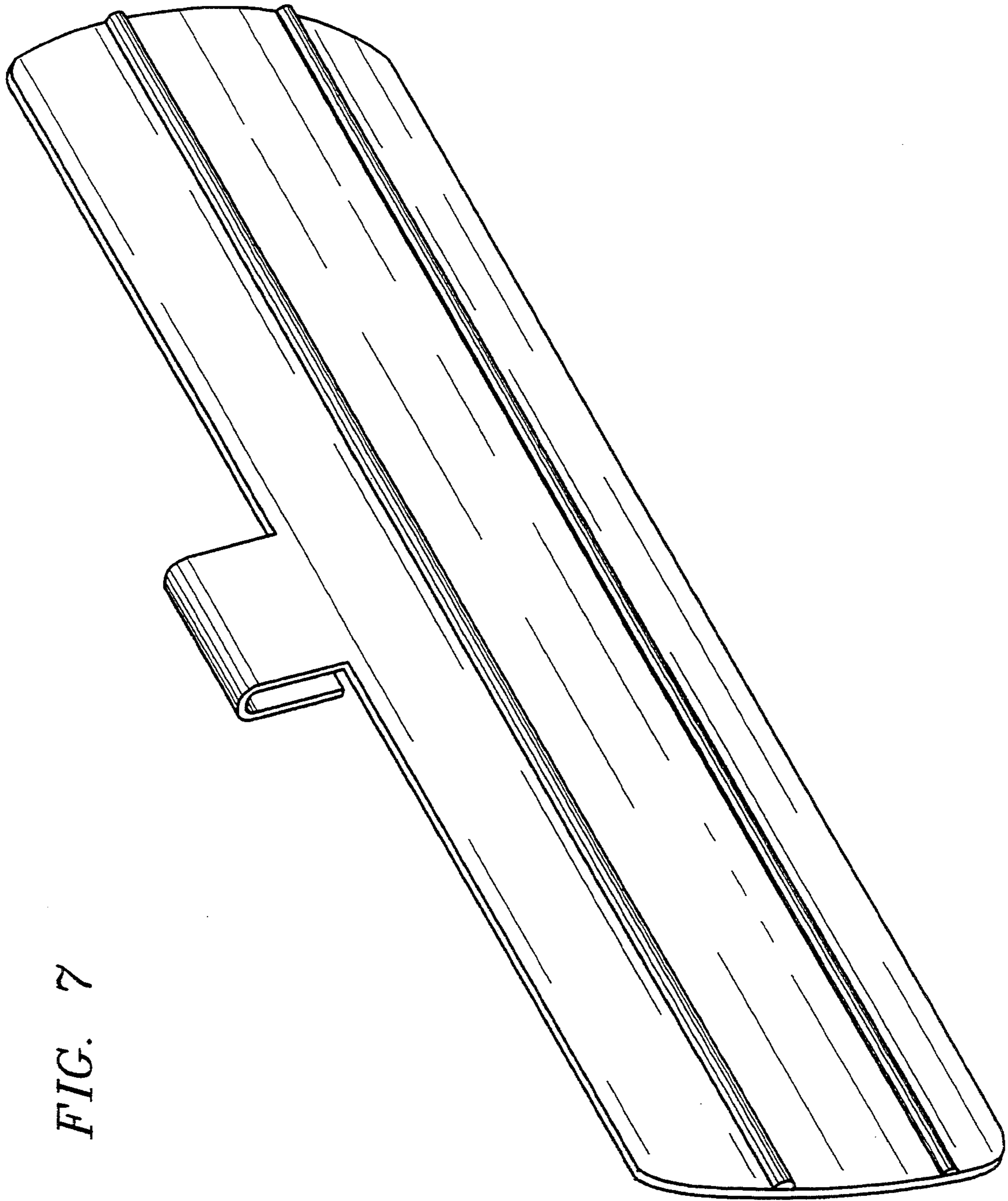


FIG. 7