



US00D358357S

# United States Patent [19]

[11] Patent Number: **Des. 358,357**

Nelson

[45] Date of Patent: **\*\* May 16, 1995**

[54] **BABY STROLLER**

[76] Inventor: **Lindbergh Nelson**, 1150 Gerard Pl.,  
Memphis, Tenn. 38107

[\*\*] Term: **14 Years**

[21] Appl. No.: **28,073**

[22] Filed: **Sep. 6, 1994**

[52] U.S. Cl. .... **D12/129; D21/74**

[58] Field of Search ..... **D12/128, 129;**  
**280/47.35, 650, 643, 642, 648, 30, 42; D21/74,**  
**69**

D. 305,011	12/1989	Pipon .....	D12/129
D. 317,280	6/1991	Takahashi et al. ....	D12/129
D. 325,364	1/1992	Stilley .....	D12/129
D. 332,590	1/1993	Robinson .....	D12/129
2,527,953	10/1950	Muffley .....	280/47.35

*Primary Examiner*—Kay H. Chin  
*Attorney, Agent, or Firm*—Kevin A. Sembrat

[57] **CLAIM**

The ornamental design for a baby stroller, as shown and described.

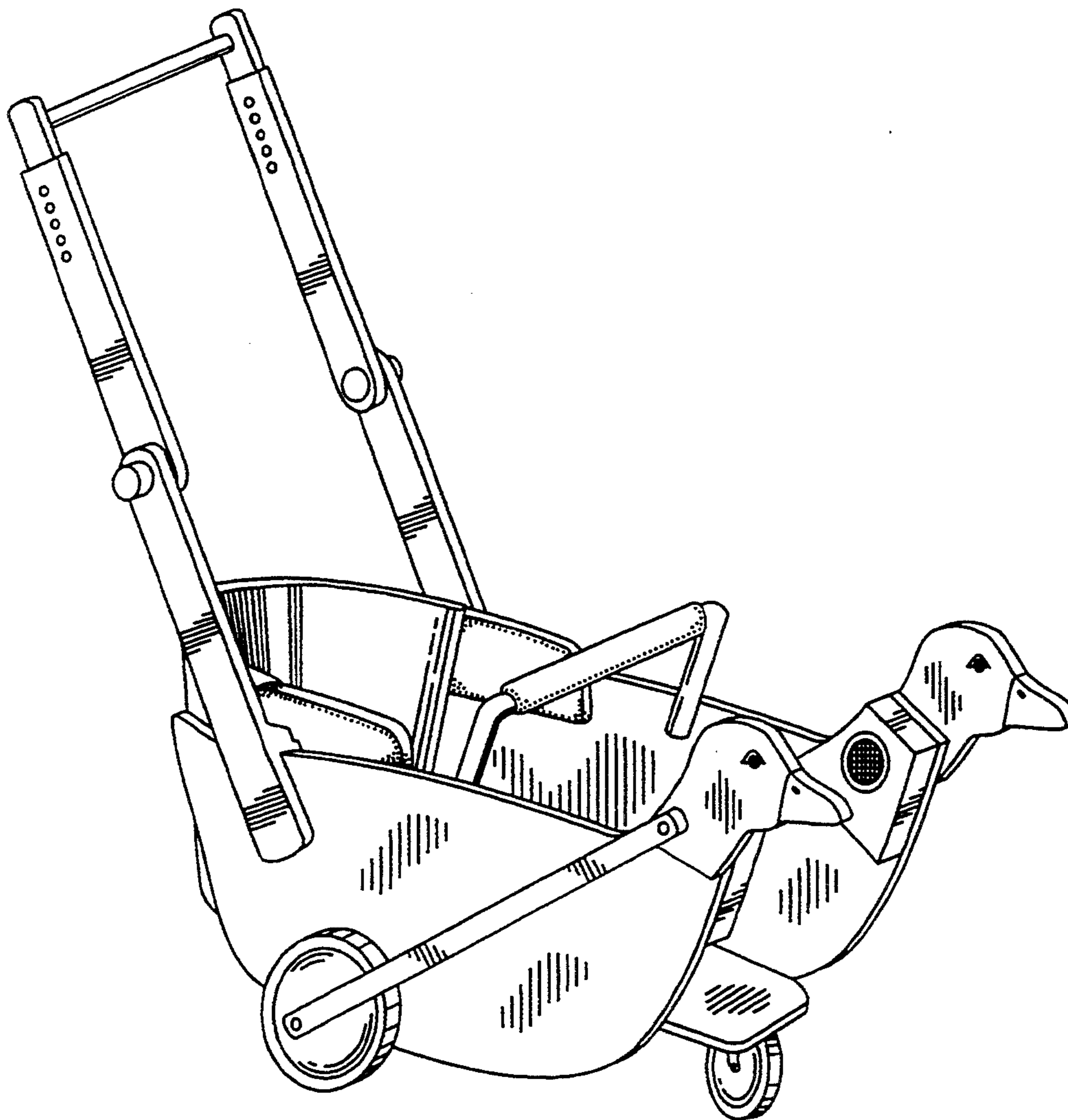
**DESCRIPTION**

FIG. 1 is a top, front and right side perspective view of a baby stroller showing my new design;  
FIG. 2 is a top, front and left side perspective view thereof;  
FIG. 3 is a top plan view thereof;  
FIG. 4 is a bottom plan view thereof;  
FIG. 5 is a front elevational view thereof; and,  
FIG. 6 is a rear elevational view thereof.

[56] **References Cited**

**U.S. PATENT DOCUMENTS**

D. 115,135	6/1939	Snyder .....	D12/129
D. 247,618	3/1978	Sparkes .....	D12/129
D. 267,863	2/1983	Nakao et al. ....	D12/129
D. 274,714	7/1984	Cone .....	D12/129
D. 288,797	3/1987	Daykin .....	D12/129
D. 296,313	6/1988	Kujawski .....	D12/129



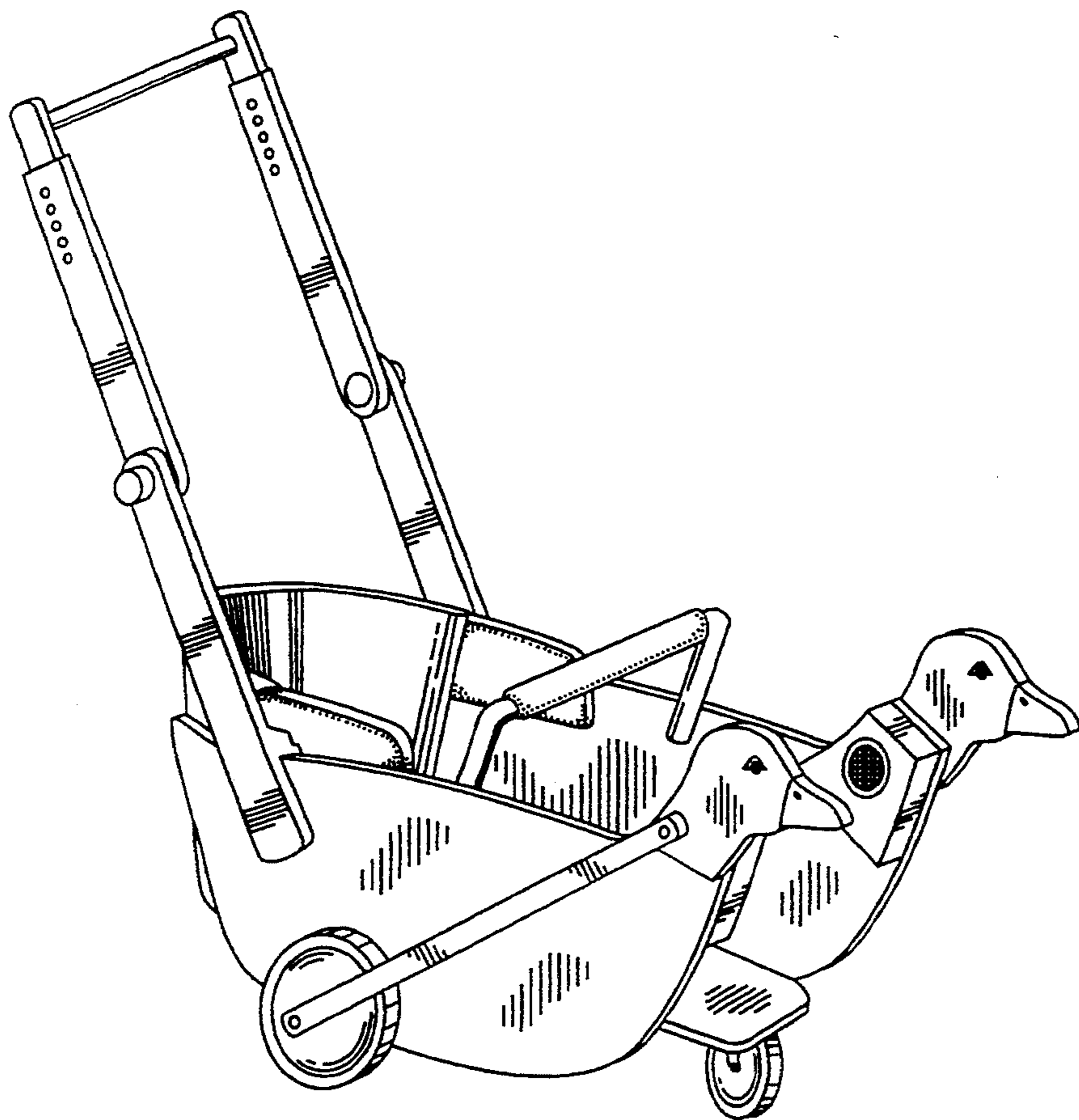


Fig. 1

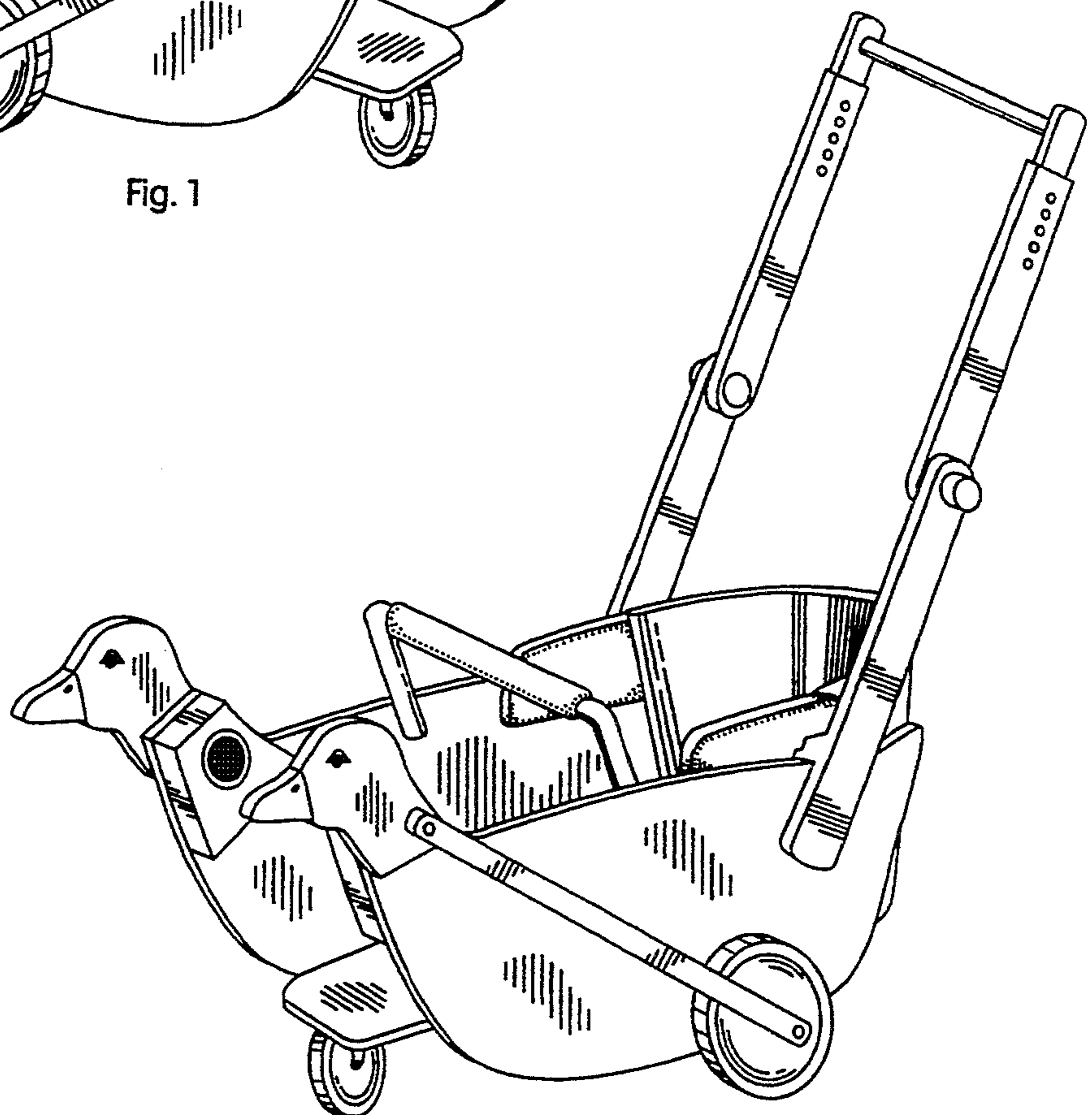


Fig. 2

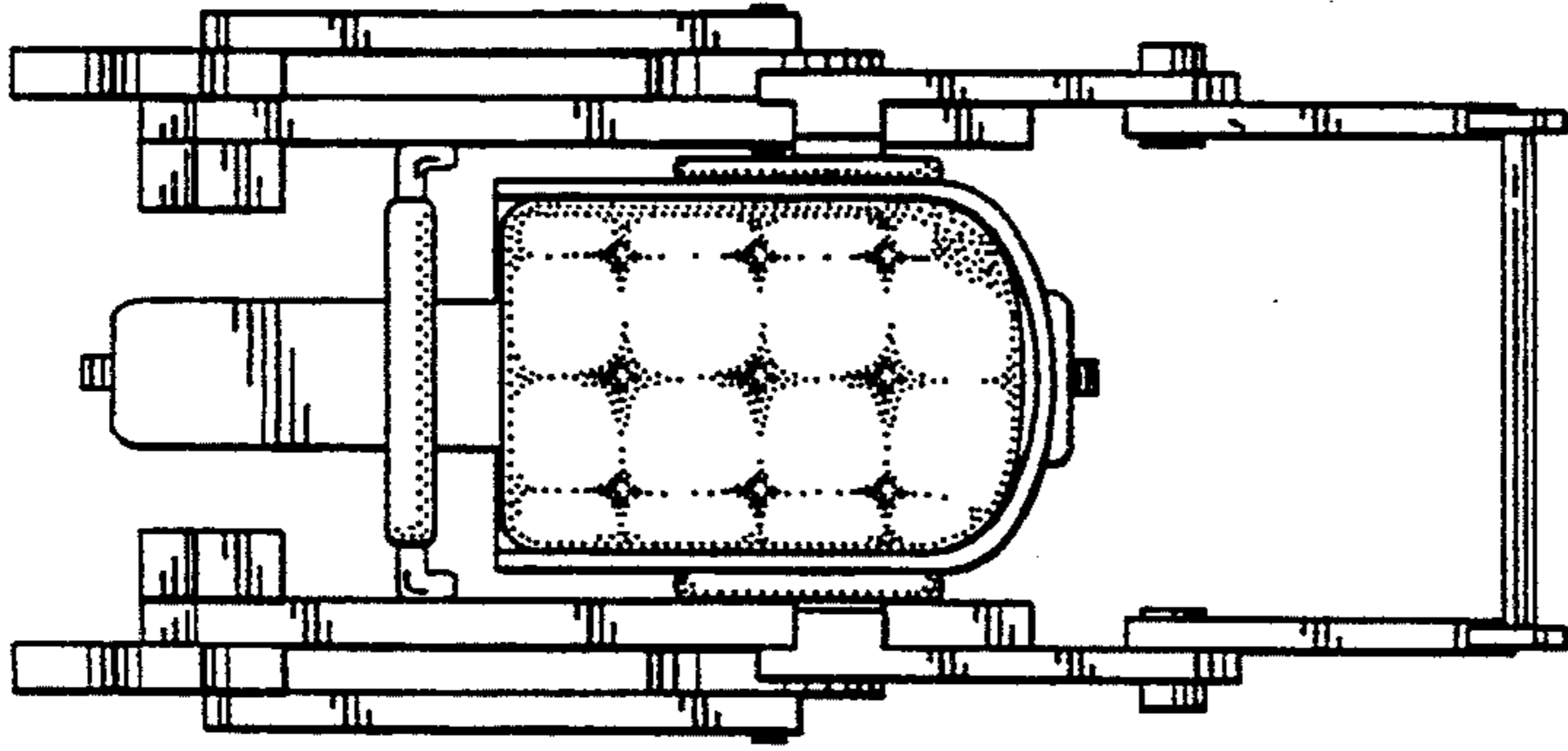


Fig. 3

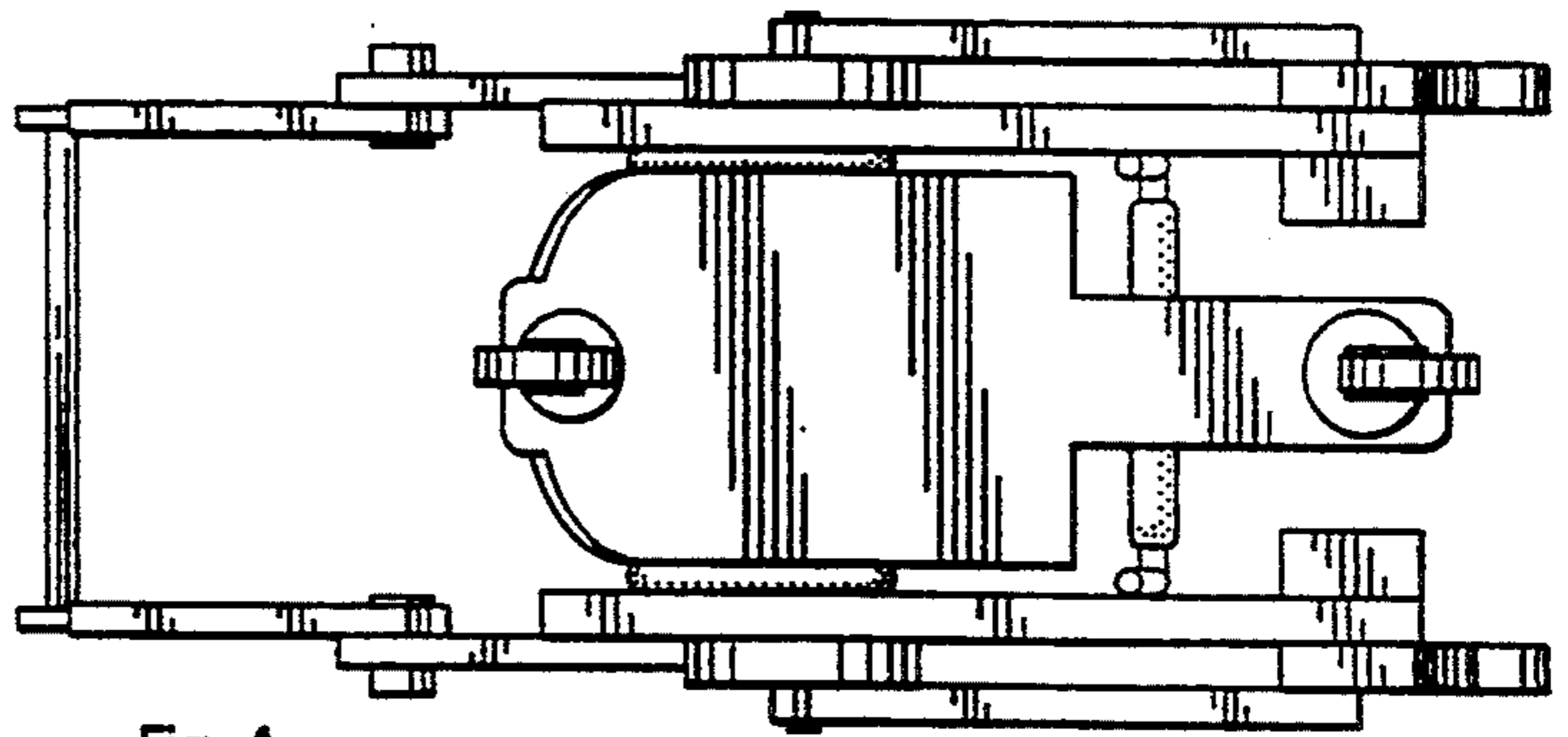


Fig. 4

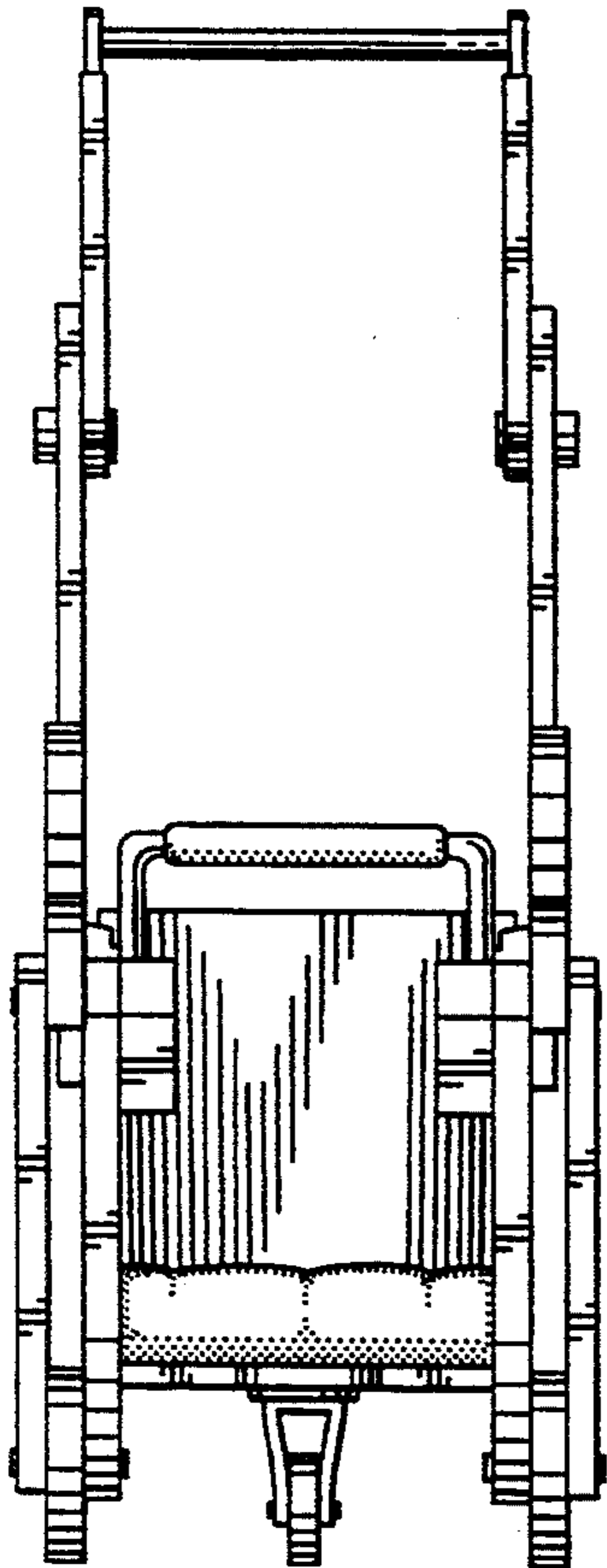


Fig. 5

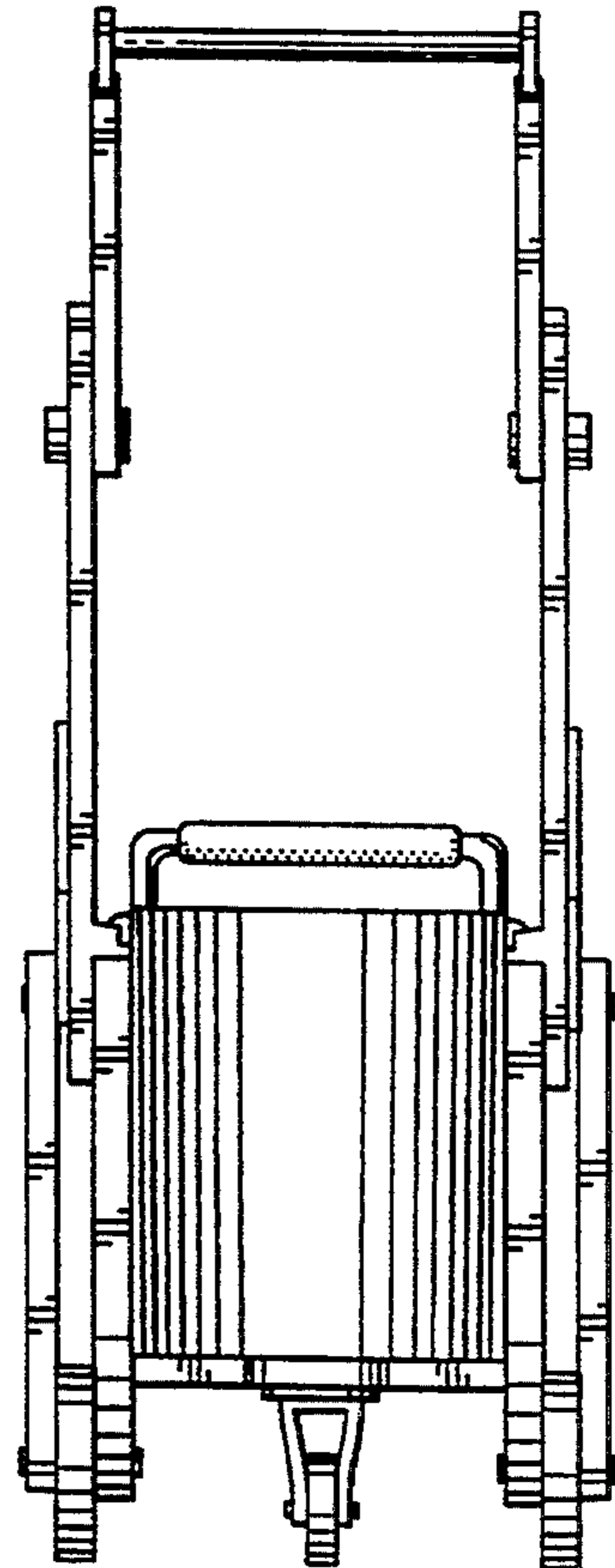


Fig. 6